

SURFACE PROTECT. / OBERFL. SCHUTZ	
I	JED-240-3
II	JED-256-1
III	JED-257
IV	RUBBER / PLASTIC
V	JED-240-2

63,5 H11^{+0,190}₀

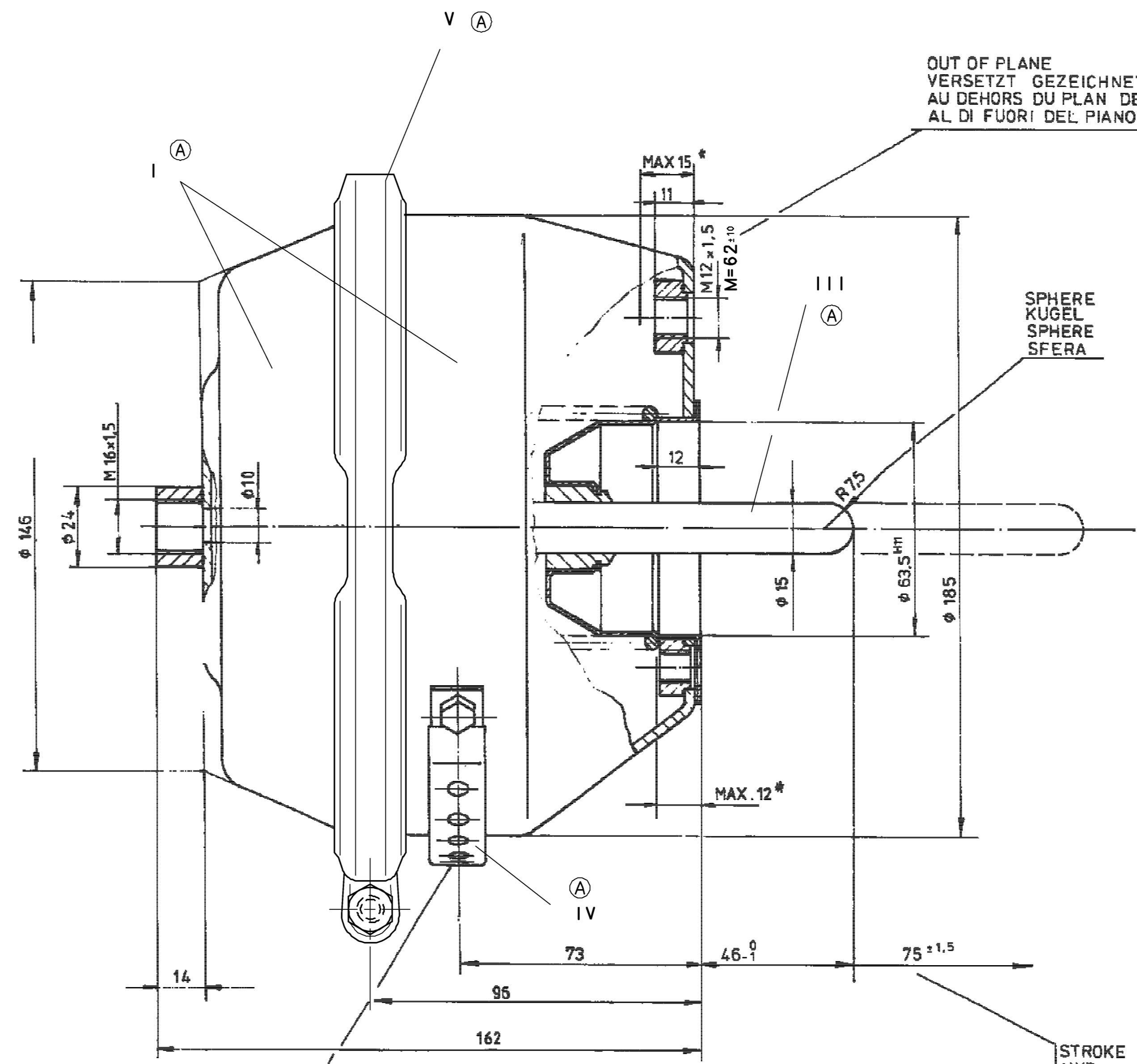
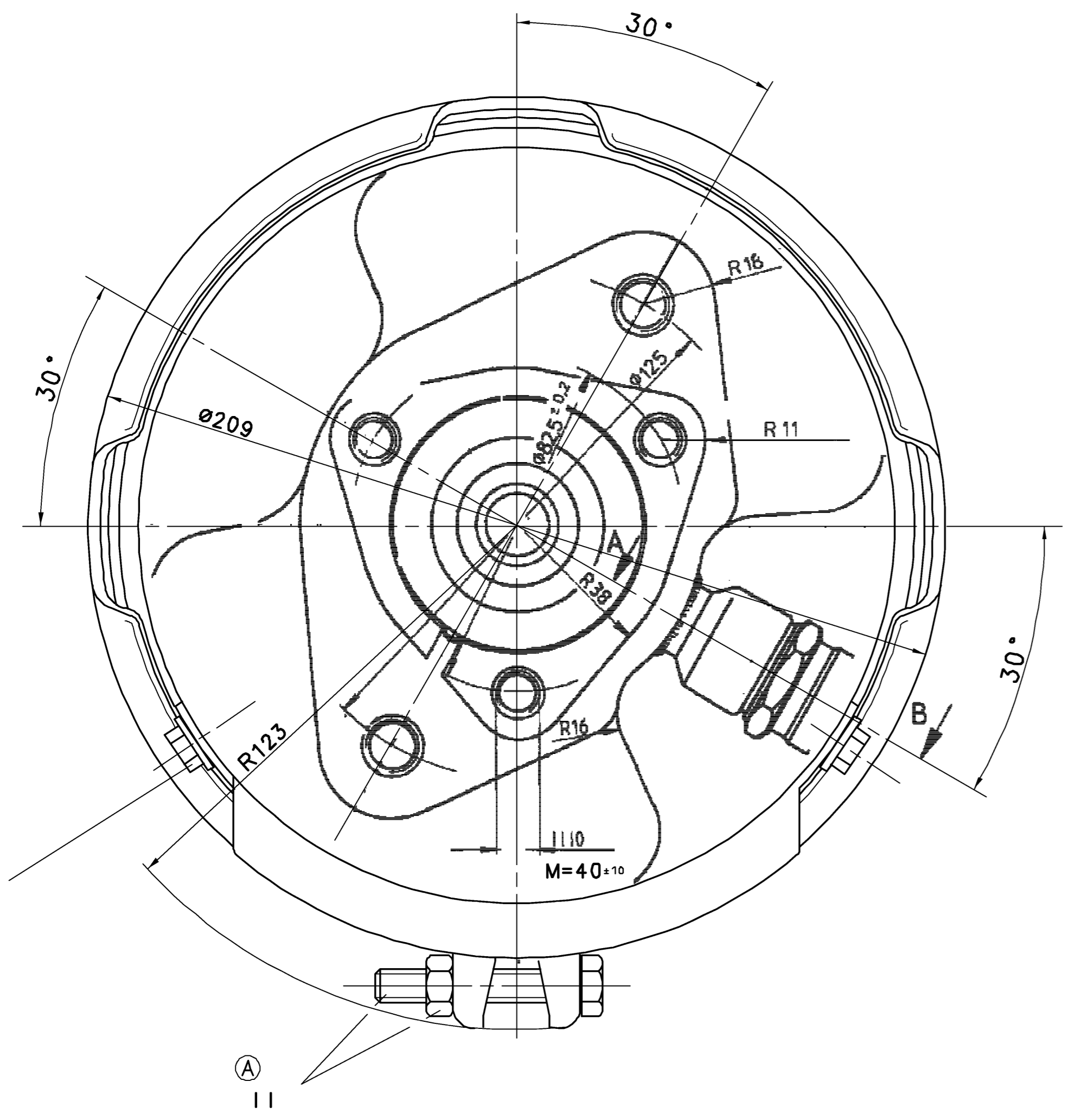
* LENGTH OF ENGAGEMENT
EINSCHRAUBLAENGE
LONGUEUR D'IMPLANTATION
LUNGHEZZA DI AVVITAMENTO

OUT OF PLANE
VERSETZT GEZEICHNET
AU DEHORS DU PLAN DE PROJECTION
AL DI FUORI DEL PIANO DI PROIEZIONE

SPHERE
KUGEL
SPHERE
SFERA

STROKE
HUB
COURSE
CORSO

EXHAUST
ENTLUEFTUNG
ECHAPPEMENT
SCARICO



PUSH FORCE OF BRAKE CHAMBER: SEE TECHNICAL INFORMATION SHEET.....
KRAFTABGABE DES MEMBRANZYLINDERS SIEHE KONSTRUKTIONSBLETT..... (977) 423 057 000 0
EFFORT DE POUSSÉE DU VAS A' DIAPHRAGME VOIR NO TICE TECHNIQUE.....
FORZA DI SPINTA DI BRAKE CHAMBER VEDERE FASCICOLO DESCRITTIVO.....

VOLUME-STROKE DIAGRAM SEE
HUBVOLUMENDIAGRAMM SIEHE ZEICHNUNG (977) 423 057 001 0
DIAGRAMME VOLUME-COURSE VOIR
DIAGRAMMA VOLUME-CORSA VEDERE

ELECTRIC INDICATING DEVICE AFTER ≈ 60mm OF STROKE
ELEKTR. HUBANZEIGE NACH ≈ 60mm HUB
INDICATEUR DE COURSE ELECTRIQUE A PRES ≈ 60mm DE COURSE
INDICATORE DI LORSA DOPO ≈ 60mm DI CORSA

WORKING PRESSURE
BETRIEBSDRUCK MAX. 10 bar
PRESSION D'UTILISATION
PRESSIONE DI ESERCIZIO

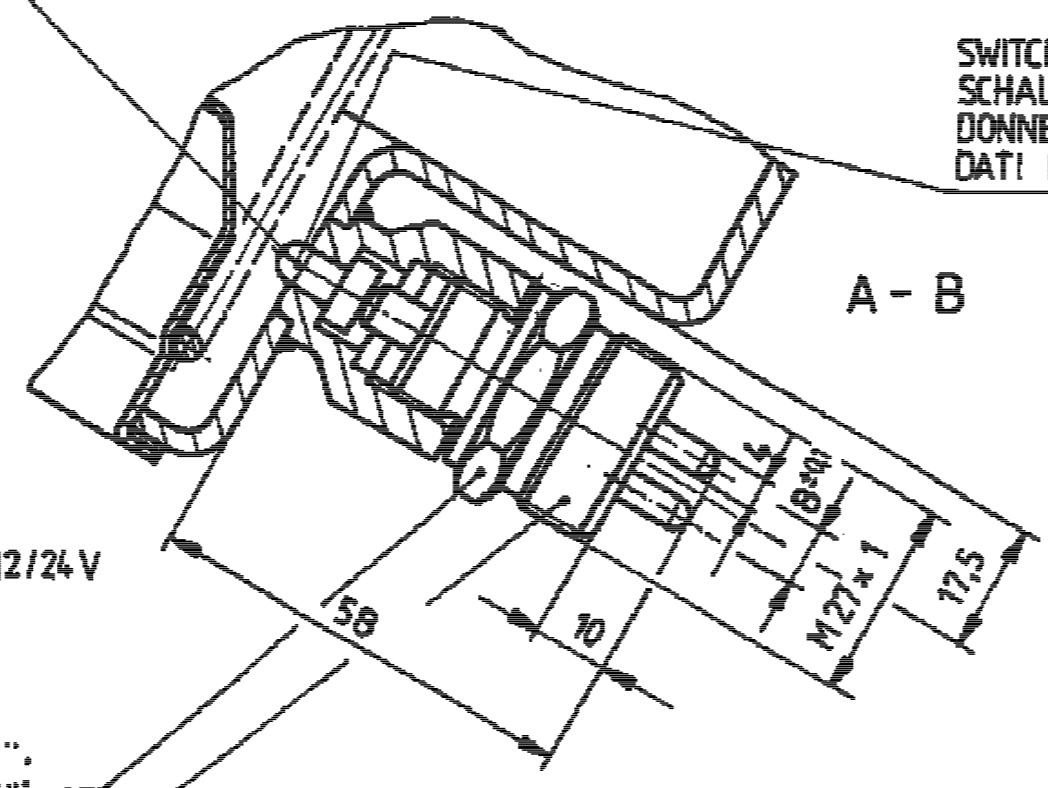
THERMAL RANGE OF APPLICATION
THERMISCHER ANWENDUNGSBEREICH -40°C BIS +80°C
GAMME D'APPLICATION THERMIQUE
CAMPO DI APPLICAZIONE TERMICA

MEDIUM : AIR
MEDIUM : LUFT
FLUIDE : AIR
FLUIDO : ARIA

NOMINAL VOLTAGE
NENNSPANNUNG 12/24 V
VOLTAGE NOMINAL
VOLTAGGIO NOMINALE

WIDTH ACROSS FLATS
SCHLUESSELWEITE 27
SURPLAT
LARGHEZZA IN CHIAVE.....
M = 30 ± 5 Nm

SWITCH DATA (MARKE CONTACT)
SCHALTERDATEN (SCHLIESSER) 441 029 002 0
DONNEES DE L'INTERRUPTEUR (KONTACTEUR)
DATI DELL'INTERRUTTORE (NORMAL MENTE APERTO)



General Specification: JED-334-0		Copyright WABCO		WABCO	
Further Technical Data:		Date	Drawn	30	
Doc. Code: Sheet: To		08-05-12	Medynski	BRAKE CHAMBER	
General Tolerances JED-261		Sheet		MEMBRANZYLINDER	
Range of Nominal Dimensions (± mm)		08-05-12		VASE A DIAPHRAGME	
Class 1) < 50 > 50 > 180 > 180 < 400 > 400		Expert		BRAKE CHAMBER	
Fine 0.5 1.0 1.5 2.0		Szuberski		Material No.	
Medium X 1.0 2.0 3.0 4.0		Szuberski		Date of first issue: 99-07-20	
Coarse 2.0 3.5 5.0 6.5		Szuberski		Doc. Code Language Sheet	
Tapped Holes acc. JED-152		A 1		423 057 010 0	
11 Tolerance Class Applied Crossmarked		CCD		005 ML 1/1	
		115155		9x4 5430	
		Techn. Resp.		Replacement for	