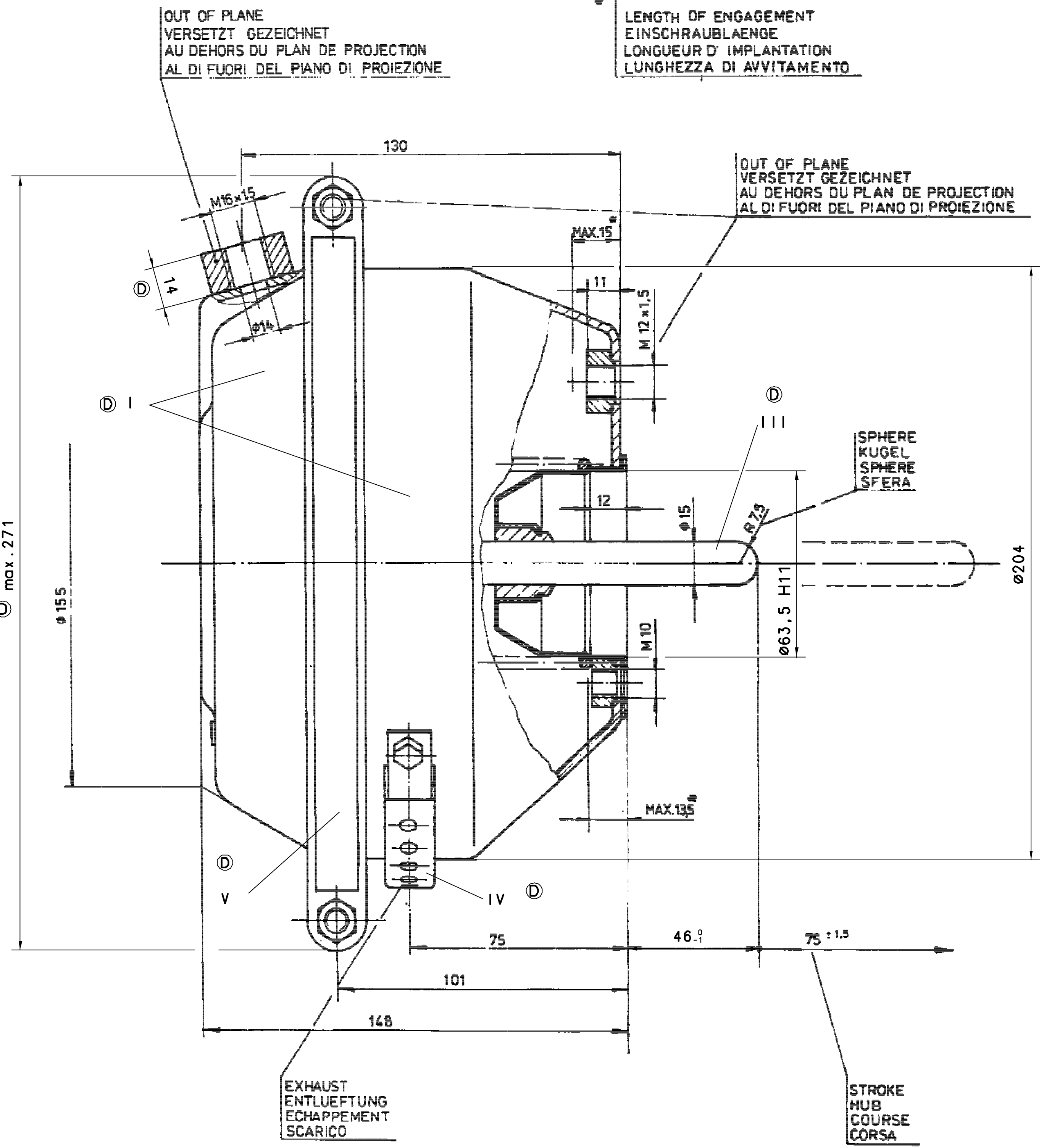
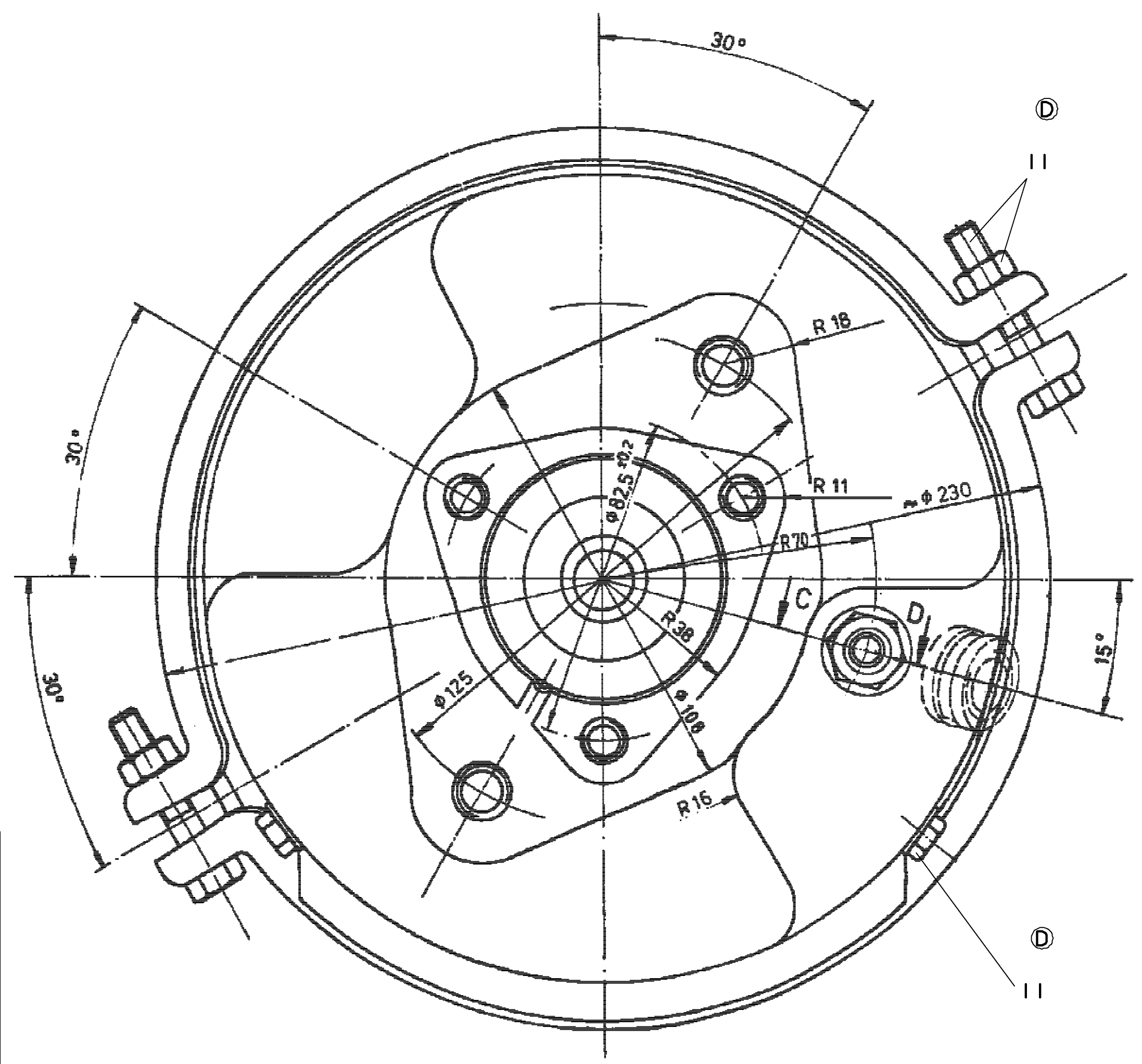


SURFACE PROTECT. / OBERFL. SCHUTZ	
I	JED-240-3
II	JED-256-1
III	JED-257
IV	RUBBER / PLASTIC
V	JED-240-2

63.5 H11^{+0.190}₀



PUSH FORCE OF BRAKE CHAMBER: SEE TECHNICAL INFORMATION SHEET.
 KRAFTABGABE DES MEMBRANZYLINDERS SIEHE KONSTRUKTIONSBLATT D 423 058 000 0
 EFFORT DE POUSSEE DU VAS A DIAPHRAGME VOIR NOTICE TECHNIQUE
 FORZA DI SPINTA DI BRAKE CHAMBER VEDERE FASCICOLO DESCRITTIVO.....

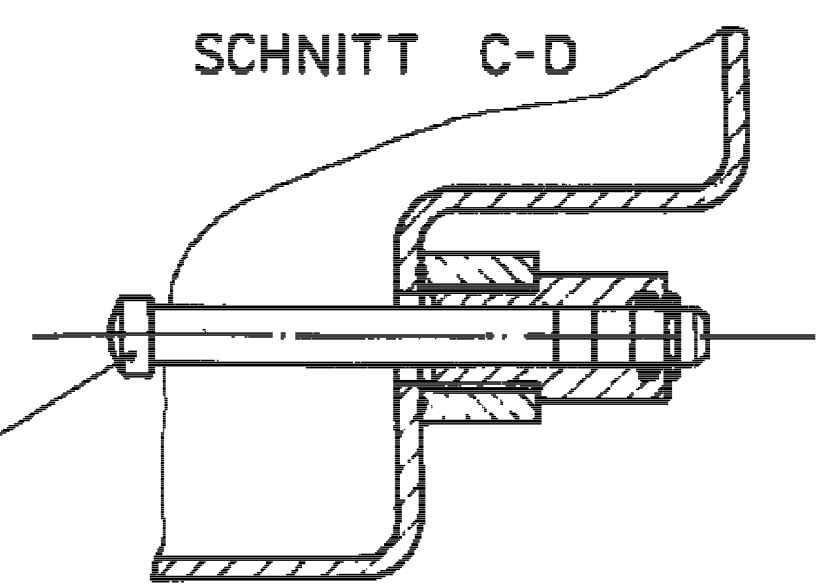
VOLUME - STROKE DIAGRAM SEE
 HUBVOLUMENDIAGRAMM SIEHE ZEICHNUNG D 423 058 001 0
 DIAGRAMME VOLUME - COURSE VOIR
 DIAGRAMMA VOLUME - CORSA VEDERE

WORKING PRESSURE
 BETRIEBSDRUCK MAX. 10 bar
 PRESSION D'UTILISATION
 PRESSIONE DI ESERCIZIO

THERMAL RANGE OF APPLICATION
 THERMISCHER ANWENDUNGSBEREICH -40°C BIS +80°C
 GAMME D'APPLICATION THERMIQUE
 CAMPO DI APPLICAZIONE TERMICA

MEDIUM AIR
 MEDIUM LUFT
 FLUIDE AIR
 FLUIDO ARIA

INSTALLATION POSITION AS DRAWN
 EINBAULAGE WIE GEZEICHNET
 POSITION D'INSTALLATION SUIVANT DESSIN
 POSIZIONE DI MONTAGGIO COME DISEGNATO



MECHANICAL WEAR INDICATOR AFTER ≈ 37,5 mm OF STROKE
 MÛCH. VERSCHLEISSANZEIGE NACH ≈ 37,5 mm HUB
 INDICATEUR D'USURE MECANIQUE APRES ≈ 37,5 mm DE COURSE
 INDICATORE D'USURA MECANICO DOPO ≈ 37,5 mm DI CORSA

General Specification: JED-334-0		Copyright WABCO		WABCO	
Further Technical Data:		Date:	Drawn:	BRAKE CHAMBER	
Doc. Code:		08-05-161	Medynski	MEMBRANZYLINDER 36	
Sheet:		08-05-161		VASE A DIAPHRAGME	
General Tolerances JED-261		Expert:		BRAKE CHAMBER	
Range of Nominal Dimensions (± mm)		Szuberski		Material No.	
Class 1)	≤ 50	> 50	> 180	Date of first issue: 77-10-24	
Fine	0.5	1.0	1.5	Doc. Code Language Sheet	
Medium	1.0	2.0	3.0	423 058 001 0	
Coarse	2.0	3.5	5.0	005 ML 1/4	
Tapped Holes acc. JED-152		CAD System		ECN-No. Revisions Techn. Resp. Replacement Int.	
1) Tolerance Class Applied Crossmarked		A 1		115156 10xD 5430	