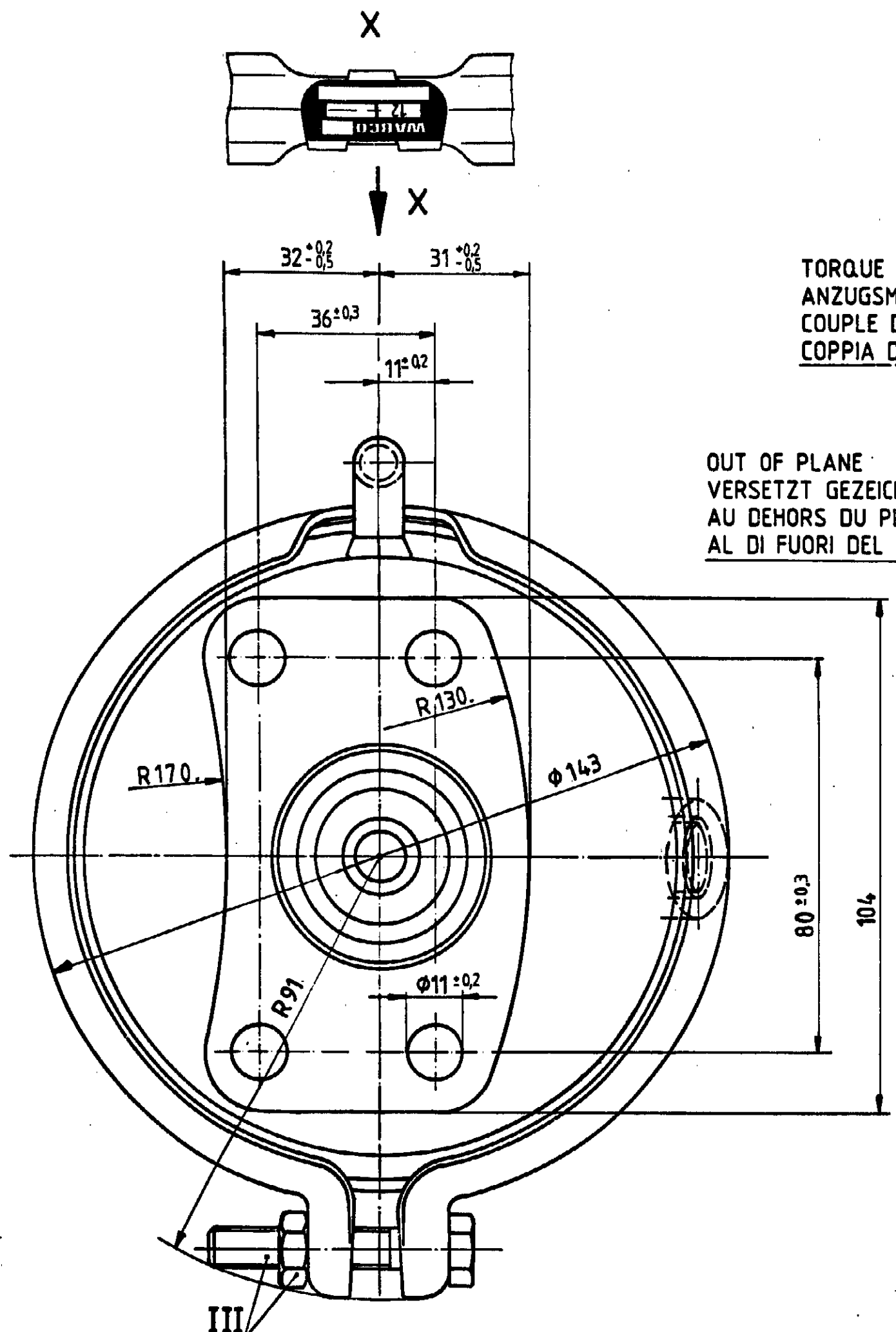
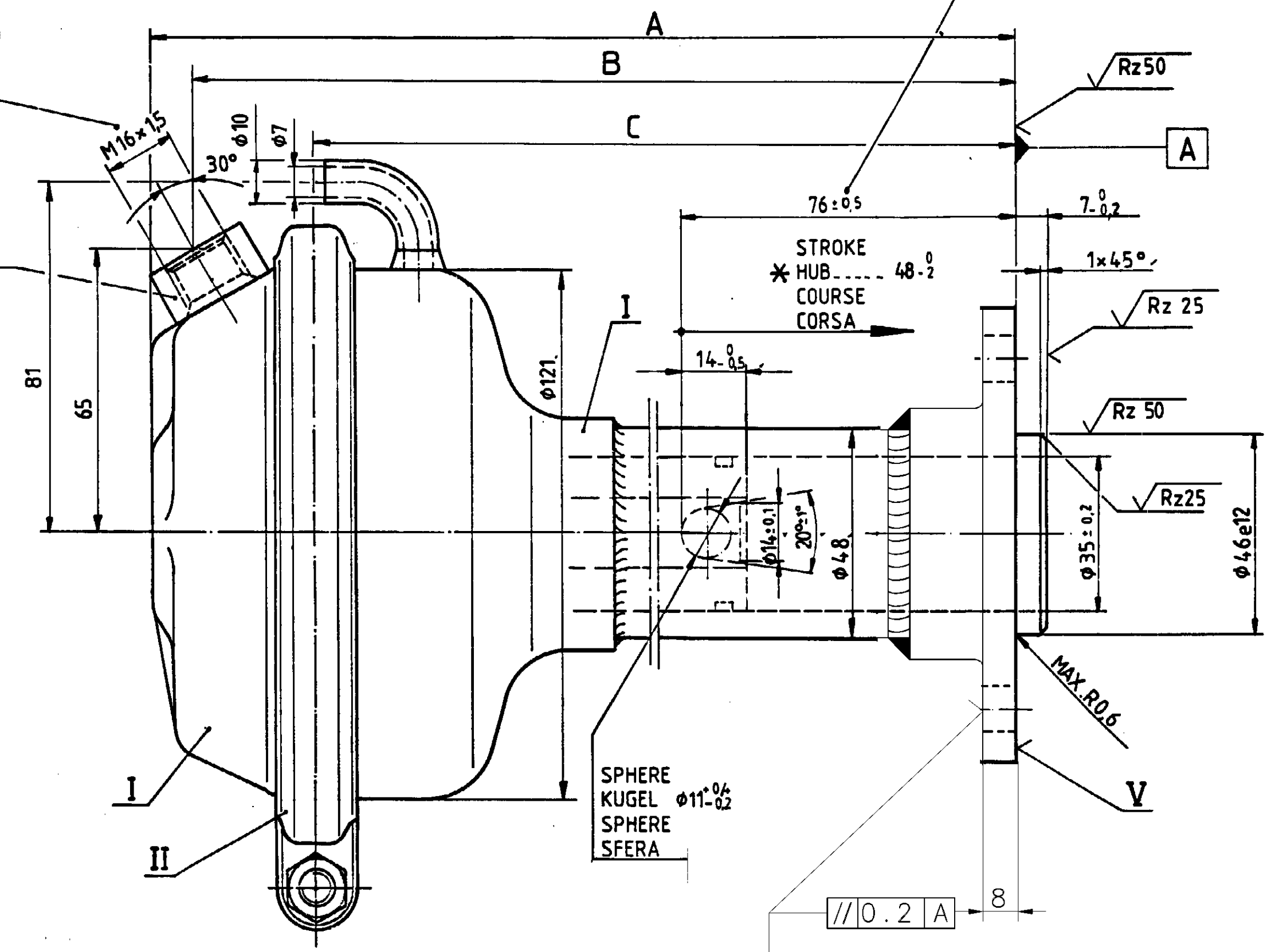


I	JED-240-3
II	JED-256-1
III	GUMMI / KUNSTSTOFF



TORQUE
ANZUGSMOMENT: 40±5 Nm
COUPLE DE SERRAGE
COPPIA DI SERRAGGIO

OUT OF PLANE
VERSETZT GEZEICHNET
AU DEHORS DU PLAN DE PROJECTION
AL DI FUORI DEL PIANO DI PROIEZIONE



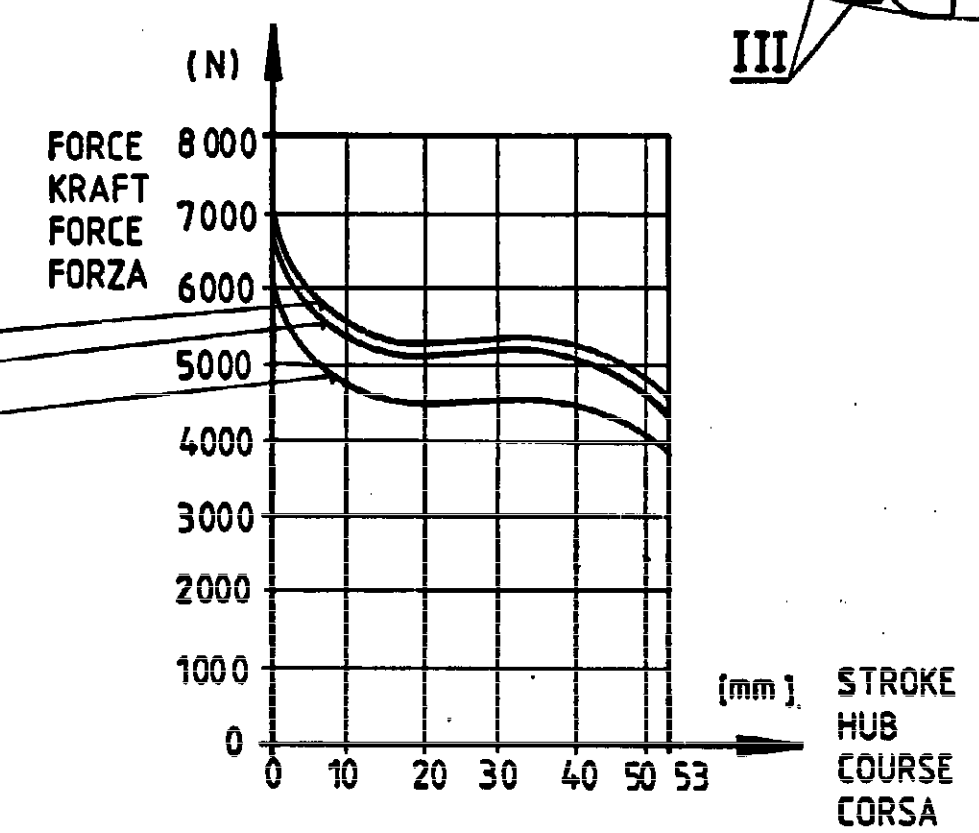
AT A SPRING FORCE OF
BEI FEDERKRAFT: 150N
SOUS UN EFFORT DE RESSORT DE
PER UNA CARICO DELLA MOLLA DI

WORKING PRESSURE.....
BETRIEBSDRUCK.....: pe=10,5 bar
PRESSION D'UTILISATION :
PRESSIONE DI ESERCIZIO :

AIR VOLUME AT 2/3 OF STROKE...
HUBVOLUMEN BEI 2/3 HUB: 0,45x10³ cm³
VOLUME D'AIR A 2/3 DE LA COURSE :
VOLUME D'ARIA A 2/3 DELLA CORSA :

THERMAL RANGE OF APPLICATION FROM...
THERMISCHER ANWENDUNGSBEREICH VON...: -40°C ÷ +80°C
GAMME D'APPLICATION THERMIQUE DE.....
CAMPO DI APPLICAZIONE TERMICA DA.....:

OUTPUT FORCE AT
KRAFTABGABE BEI
EFFORT DU POUSSEE SOUS :
FORZA DI SPINTA PER



MEDIUM.....: AIR
MEDIUM.....: LUFT
FLUIDE.....: AIR
FLUIDO.....: ARIA

CONTROL PRESSURE.....
DICHTPRUEFDRUCK.....: MAX. 10,5 bar
PRESSION D'ESSAI.....
PRESSIONE DI PROVA.....

SUITABLE FOR WADING
WATFAEHIG
E' TANCHE A L'IMMERSION POUR VEHICULE AMPHIBIE
IMPERMEABILE ALL'IMMERSION

EXTERNAL STROKE LIMIT
* HUBBEGRENZUNG EXTERN.....: 48 mm
LIMITE DE COURSE EXTERNE
LIMITAZIONE DI CORSA ESTERNO

423 070 110 0	423 070 111 0				
423 070 111 0 (E)	9517463	202,5	193,5	165	
423 070 110 0 (E)	9517462	202,5	193,5	165	
BRAKE CHAMBER MEMBRANZYLINDER VASE A DIAPHRAGME BRAKE CHAMBER	CLIENT NUMBER KUNDENNUMMER NUMERO DE CLIENT NUMERO CLIENTE	A	B	C	MASS GEWICHT MASSE MASSA

FURTHER TECHNICAL DATA SEE

IDENTIFICATION No. :
CODE FOR DOCUMENT: 605 SHEET TO

GENERAL TOLERANCES

CLASS	RANGE OF NOMINAL DIMENSIONS (in mm)			
	≤ 50	> 50 ≤ 100	> 100 ≤ 400	> 400
I	0,5	1	1,5	2
II	1	2	3	4
III	2	3,5	5	6,5

TAPPED HOLES ACC. ISO 4039 / JED-152

1 TOLERANCE CLASS APPLIED CROSSMARKED

ICEN-NO. REV. DATE

DATE: 93-08-25
DRAWN: [Signature]
CHECKED: [Signature]
STANDARDIZATION: 93-09-07

MASS SCALE: 1:1

SIZE: A4

185

WABCO

BRAKE CHAMBER
MEMBRANZYLINDER
VASE A DIAPHRAGME
BRAKE CHAMBER

PRODUCT IDENTIFICATION NO. : 423 070 119 0

CODE FOR DOCUMENT: 653 SHEET: 1/1

REPLACEMENT FOR

This drawing is the subject of copyright. All rights reserved. No part of this drawing may be reproduced or transmitted in any form or by any means, electronic or mechanical, including photocopying, recording, or by any information storage and retrieval system, without the prior written permission of WABCO.