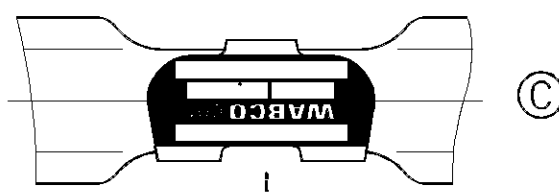
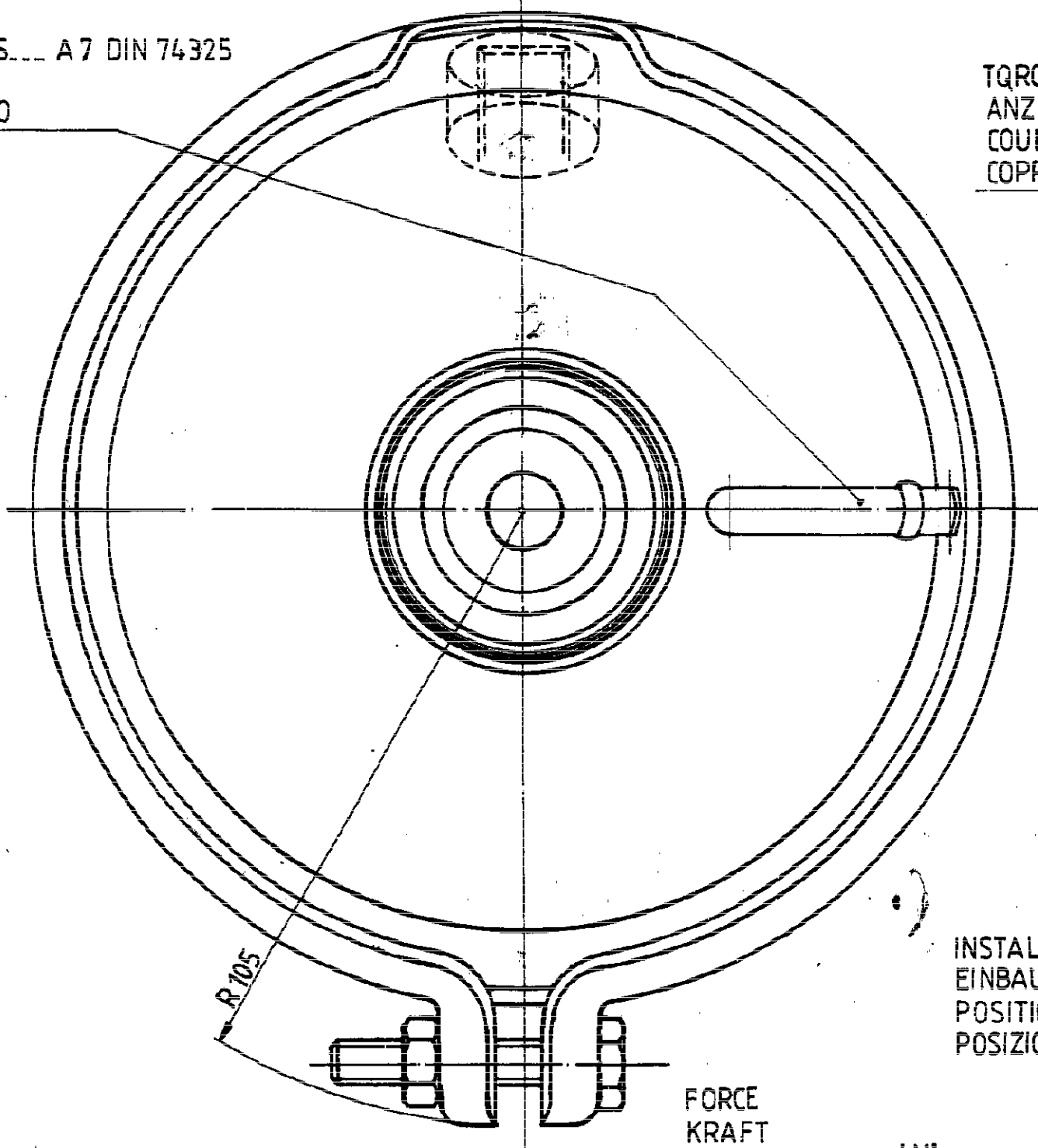


I	JED-240-3
II	JED-256-1
III	
IV	



FITTING FOR HOSE
SCHLAUCHANSCHLUSS... A7 DIN 74325
RACCORD DE TUYAU
RACCORDO DEL TUBO



FORCE
KRAFT
FORCE
FORZA

AUT OF PLANE
VERSETZT GEZEICHNET
AU DEHORS DU PLAN DE PROJECTION
AL DI FUORI DEL PIANO DI PROIEZIONE

WORKING PRESSURE
BETRIEBSDRUCK.....: $P_e = \text{MAX. } 8 \text{ bar}$
PRESSION D'UTILISATION
PRESSIONE DI ESERCIZIO

THERMAL RANGE OF APPLICATION FROM
THERMISCHER ANWENDUNGSBEREICH VON.....: -40°C BIS $+80^\circ\text{C}$
GAMME D'APPLICATION THERMIQUE DE
CAMPO DI APPLICAZIONE TERMICA DA

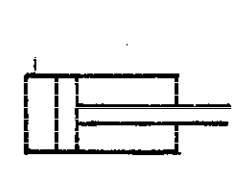
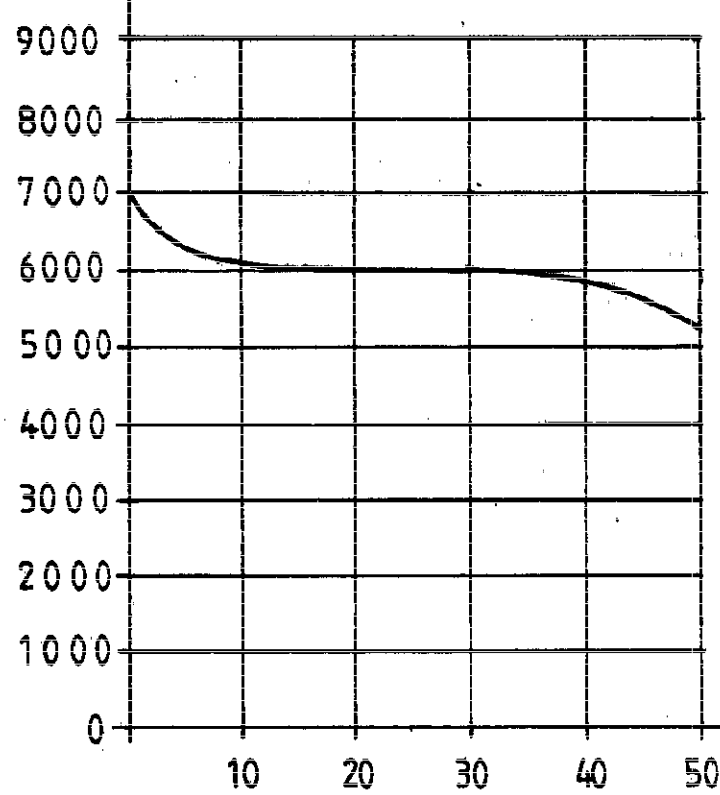
MEDIUM : AIR
MEDIUM : DRUCKLUFT
FLUIDE : AIR
FLUIDO : ARIA

** TYPE : STAMPED
TYP : GEPRAEGT
TYPE : FRAPPE
TIPO : STAMPATO

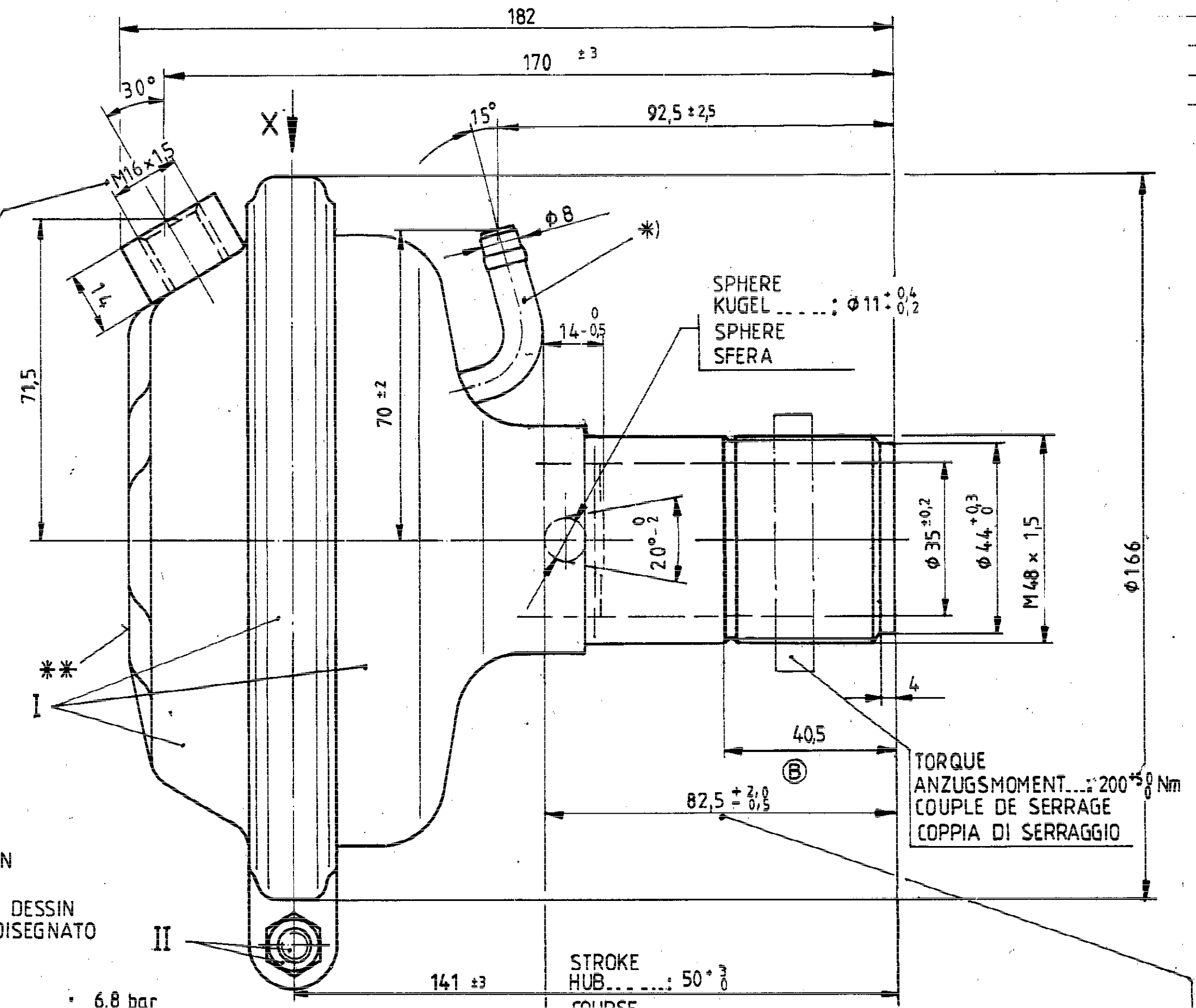
TORQUE
ANZUGSMOMENT.....: $40 \pm 5 \text{ Nm}$
COUPLE DE SERRAGE
COPPIA DI SERRAGGIO

INSTALLATION POSITION AS DRAWN
EINBAULAGE WIE GEZEICHNET
POSITION D'INSTALLATION SUIVANT DESSIN
POSIZIONE DI MONTAGGIO COME DISEGNATO

OUTPUT FORCE AT
KRAFTABGABE BEI.....: $6,8 \text{ bar}$
EFFORT DU POUSSEE SOUS
FORZA DI SPINTA PER



STROKE
HUB
COURSE
CORSA



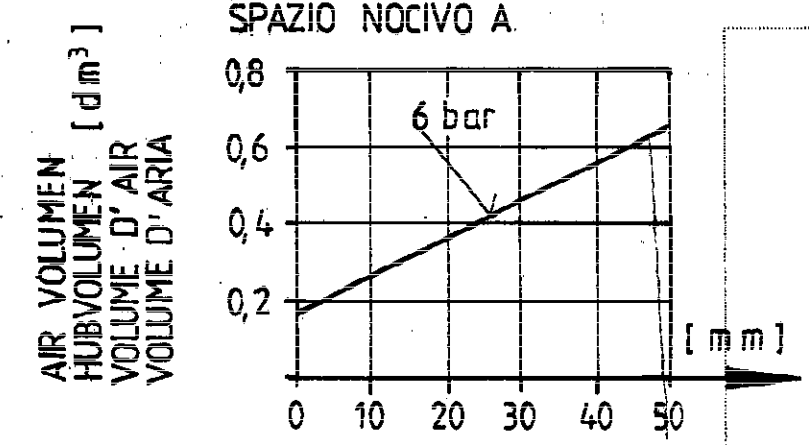
SPHERE
KUGEL.....: $\phi 11 \pm 0,2$
SPHERE
SFERA

TORQUE
ANZUGSMOMENT.....: $200 \pm 5 \text{ Nm}$
COUPLE DE SERRAGE
COPPIA DI SERRAGGIO

STROKE
HUB.....: $50 \pm 0,3$
COURSE
CORSA

AT A SPRING FORCE OF
BEI FEDERKRAFT
SOUS UNE FORCE DE RESSORT DE : 150 N
PER UNA CARICO DELLA MOLLA DI

DEAD VOLUME AT
TOTVOLUMEN BEI 0 bar = $0,06 \text{ dm}^3$
VOLUME MORT A
SPAZIO NOCIVO A



STROKE
HUB
COURSE
CORSA

FURTHER TECHNICAL DATA SEE				L		COPYRIGHT BY WABCO	
IDENTIFICATION No.:				K		DATE	
CODE FOR DOCUMENT: 605 SHEET: TO				J		DRAWN	
GENERAL TOLERANCES				H		88-02-02	
RANGE OF NOMINAL DIMENSIONS (± mm)				G		CHECKED	
CLASS	1)	<50	>50 <180	F		88-02-03	
		>180 <400	>400	E		STANDARDIZATION	
I		0,5	1	D		88-02-03	
II	X	1	2	D		MASS	
III		2	3,5	D		SCALE	
TAPPED HOLES ACC. ISO 4039				D		IDENTIFICATION	
1) TOLERANCE CLASS APPLIED CROSSMARKED				D		423 072 101 0	
DCN-No. REV. DATE				D		CODE FOR DOCUMENT: 605	
47992 1 x A 89-11-21				D		REPLACEMENT FOR	
				D		594	
				D		1/1	

WABCO
BRAKE CHAMBER
MEMBRANZYLINDER
VASE A DIAPHRAGMA
BRAKE CHAMBER 14

423 072 101 0