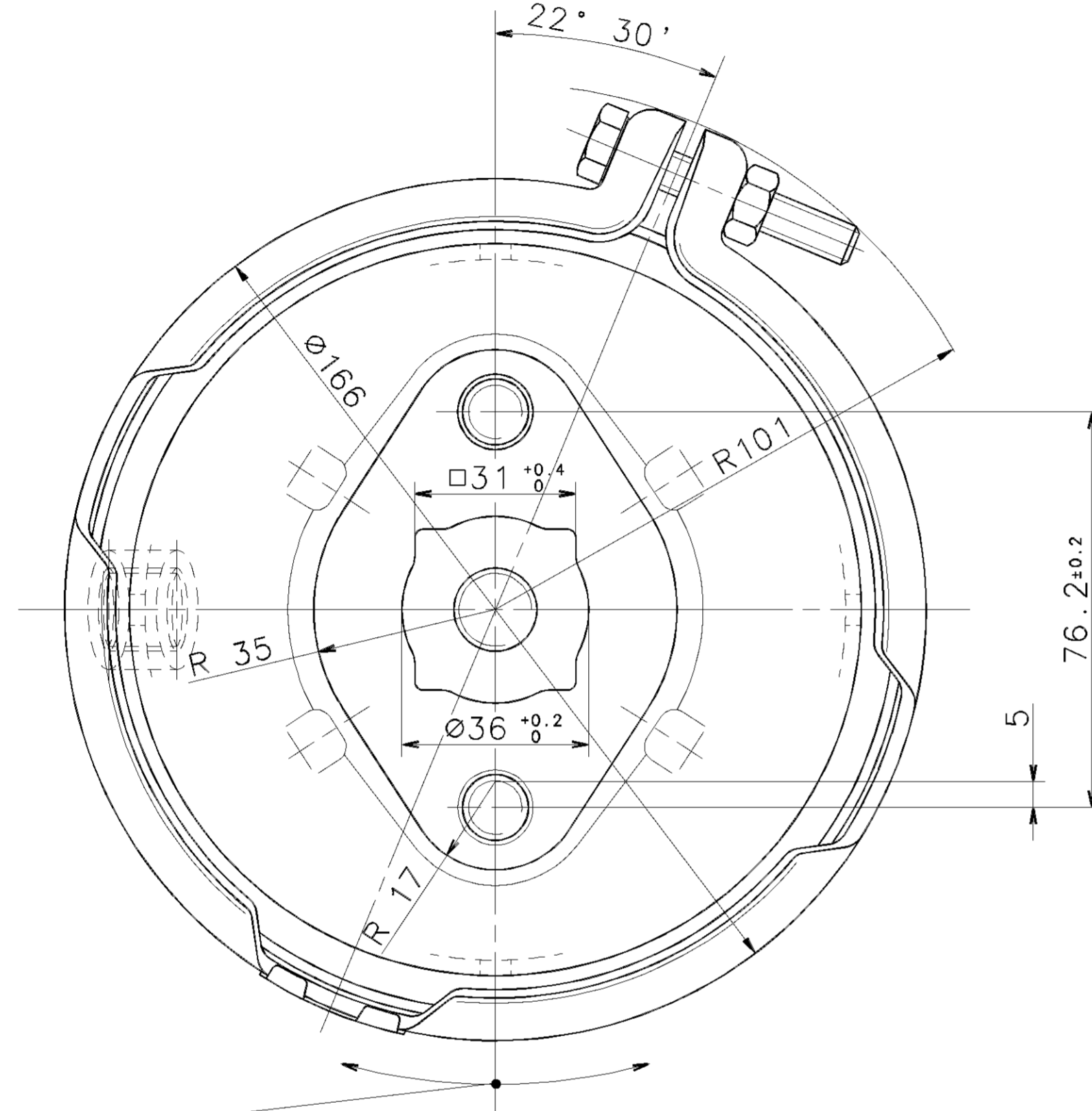
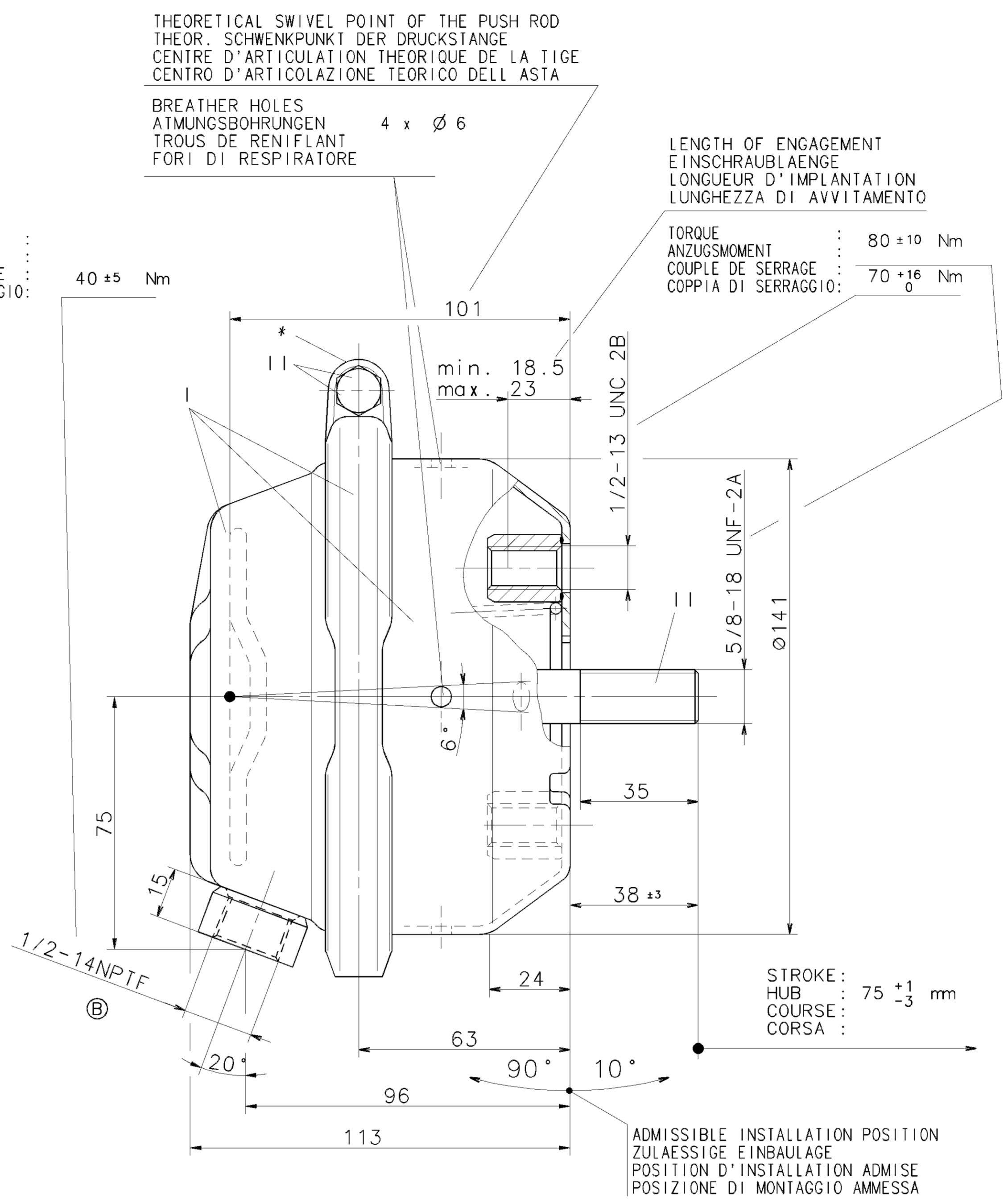
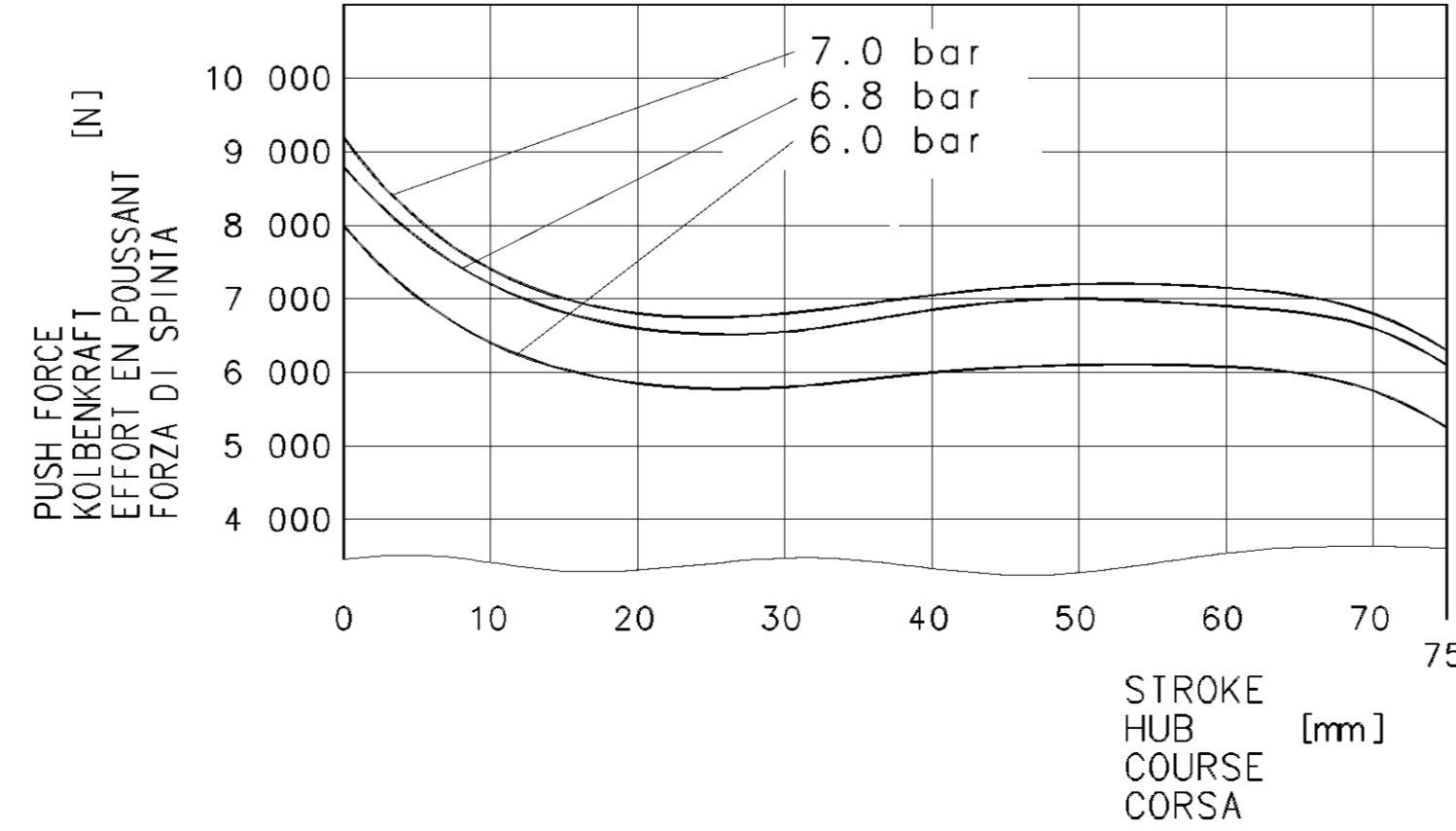
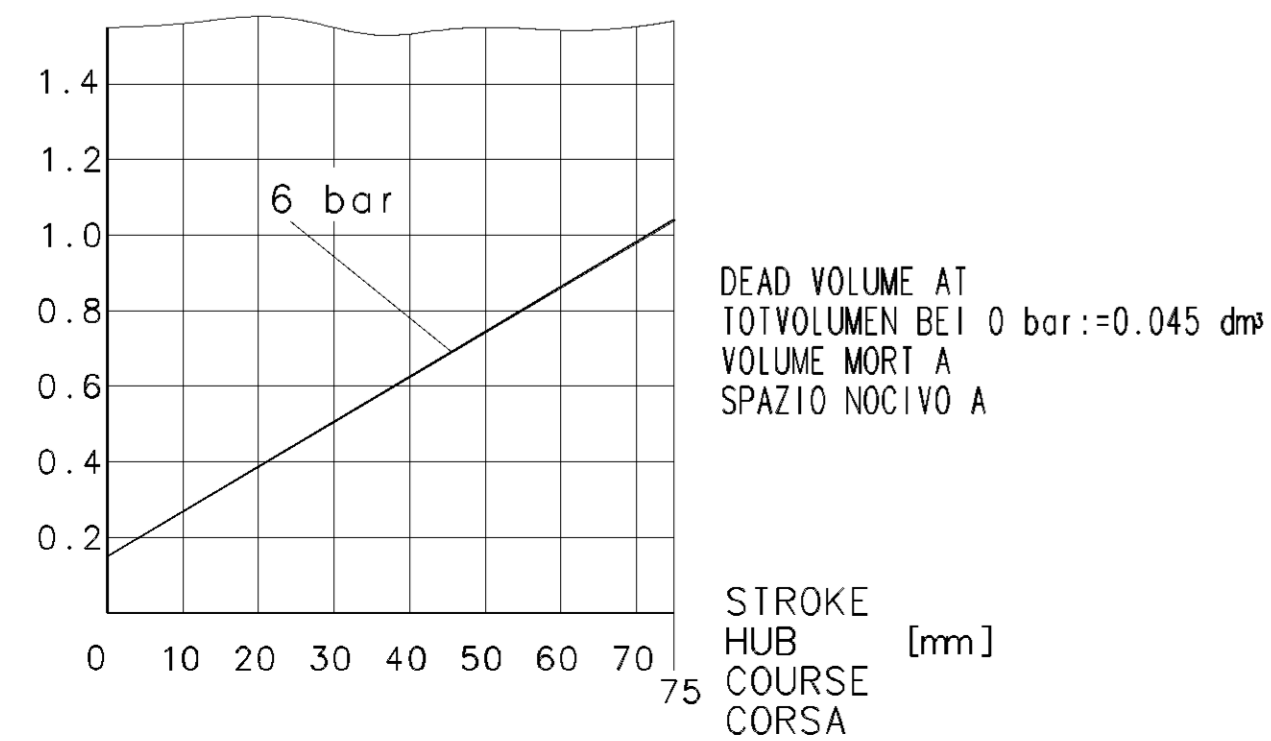
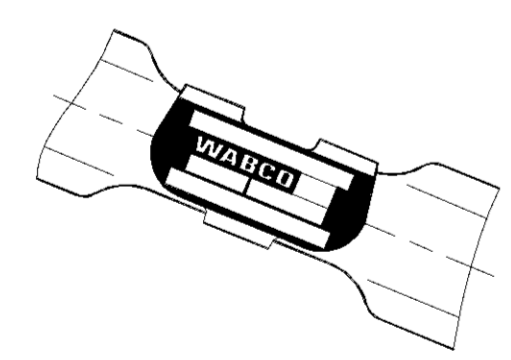


| | | |
|---------------------------------|----|-----------|
| SURFACE PROTECT./OBERFL. SCHUTZ | I | JED-240-3 |
| | II | JED-256-1 |



TO BE INSTALLED WITH LOWER BREATHER HOLE
 IM EINBAUZUSTAND UNTERE ATMUNGSBOHRUNG ±30°
 A MONTER AVEC LE RENIFLARD INFÉRIEUR
 INSTALLAZIONE: CON IL FORO DI SFIATO INFERIORE



THEORETICAL SWIVEL POINT OF THE PUSH ROD
 THEOR. SCHWENKPUNKT DER DRUCKSTANGE
 CENTRE D'ARTICULATION THEORIQUE DE LA TIGE
 CENTRO D'ARTICOLAZIONE TEORICO DELL'ASTA

BREATHER HOLES
 ATMUNGSBOHRUNGEN 4 x Ø 6
 TROUS DE RENIFLANT
 FORI DI RESPIRATORE

TORQUE : 40 ± 5 Nm
 ANZUGSMOMENT :
 COUPLE DE SERRAGE :
 COPPIA DI SERRAGGIO:

LENGTH OF ENGAGEMENT
 EINSCHRAUBLÄENGE
 LONGUEUR D'IMPLANTATION
 LUNGHEZZA DI AVVITAMENTO

TORQUE : 80 ± 10 Nm
 ANZUGSMOMENT :
 COUPLE DE SERRAGE : 70 $^{+16}_0$ Nm
 COPPIA DI SERRAGGIO:

STROKE : 75 $^{+1}_{-3}$ mm
 HUB :
 COURSE :
 CORSA :

ADMISSIBLE INSTALLATION POSITION
 ZULAESSIGE EINBAULAGE
 POSITION D'INSTALLATION ADMISE
 POSIZIONE DI MONTAGGIO AMMESSA

*) OUT OF PLANE
 VERSETZT GEZEICHNET
 AU DEHORS DU PLAN DE PROJECTION
 AL DI FUORI DEL PIANO DI PROIEZIONE

FORCE OF RETURN SPRING : 60 ± 10 N
 RUECKSTIELLKRAFT DER FEDER :
 EFFORT DURESSORTIDE RAPPEL :
 FORZA DELLA MOLLA RITORNO :

THERMAL RANGE OF APPLICATION : -40 °C...+80 °C
 THERMISCHER ANWENDUNGSBEREICH :
 GAMME D'APPLICATION THERMIQUE :
 CAMPO DI APPLICAZIONE TERMICA :

MEDIUM : AIR
 MEDIUM : LUFT
 FLUIDE : AIR
 FLUIDO : ARIA

SERVICE PRESSURE : Pe max. = 10 bar
 BETRIEBSDRUCK :
 PRESSION DE SERVICE :
 PRESSIONE DI ESERCIZIO :

(TEMPORARILY) : Pe max. = 13 bar
 (KURZZEITIG) :
 (DE COURTE DUREE) :
 (BREVE TEMPO SOLO) :

| | | | |
|--|--|--------------------|-----------------|
| GENERAL SPECIFICATION: JED-334 | DATE: 98-08-05 | SIGNATURE: MUELLER | WABCO |
| FURTHER TECHNICAL DATA: SHEET: TO | DRAWN: 2.5 | CHECKED: 1 | |
| GENERAL TOLERANCES | PRODUCT IDENTIFICATION NO. 423 104 053 0 | DOC. CODE 605 | REPLACEMENT FOR |
| RANGE OF NOMINAL DIMENSIONS (± mm) | MASS SCALE 1:1 | SHEET 1/1 | |
| CLASS 1) <table border='0'><tr><td>0.5</td><td>1.0</td><td>1.5</td><td>2.0</td></tr><tr><td>≤50</td><td>≤180</td><td>≤400</td><td>≥400</td></tr></table> | SIZE 2.5 | | |
| FINE 0.5, 1.0, 1.5, 2.0 | DATE 082195 1x B 02-03-01 | | |
| MEDIUM 1.0, 2.0, 3.0, 4.0, ± 3' | REV. 082181 2x A 02-02-21 | | |
| COARSE 2.0, 3.5, 5.0, 6.5 | DCH-NO. DATE | | |
| TAPPED HOLES ACC. ISO 4039 / JED-152 | EXP. CODE 71212 | | |
| 1) TOLERANCE CLASS APPLIED CROSSMARKED | | | |