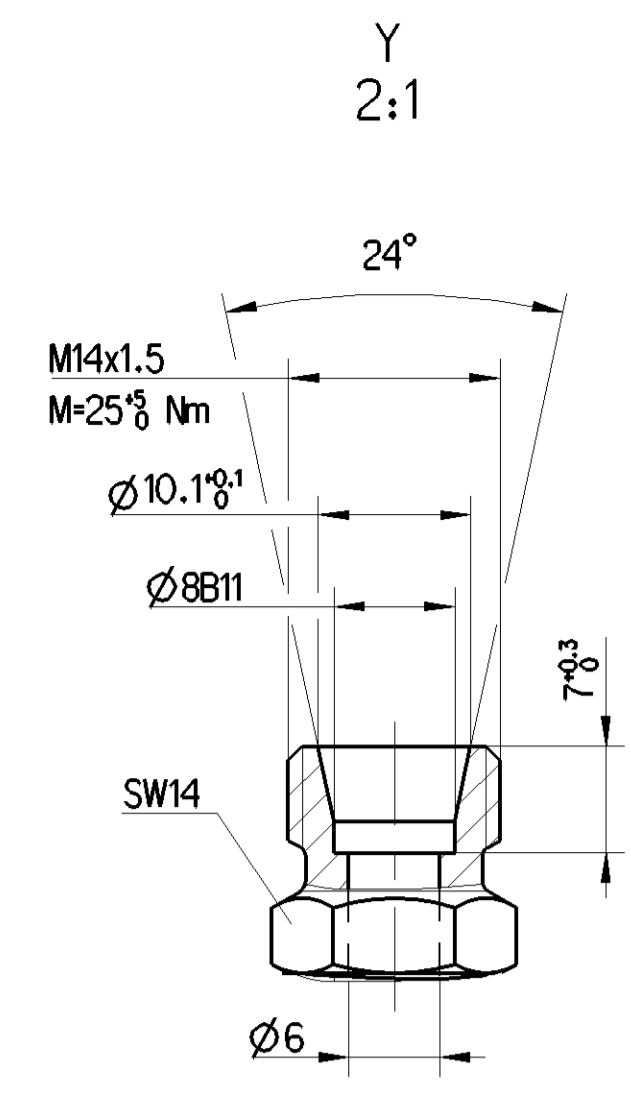
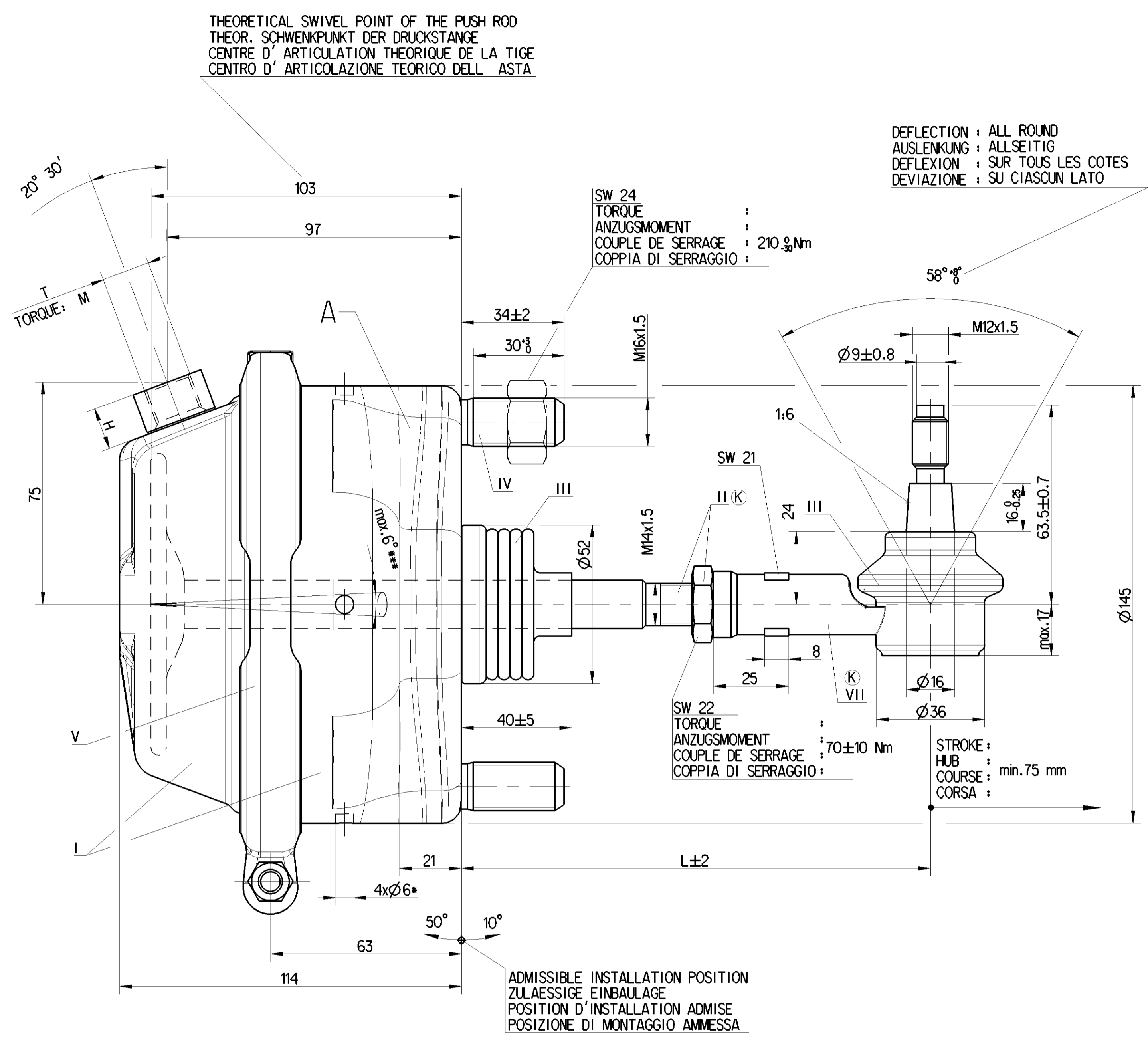
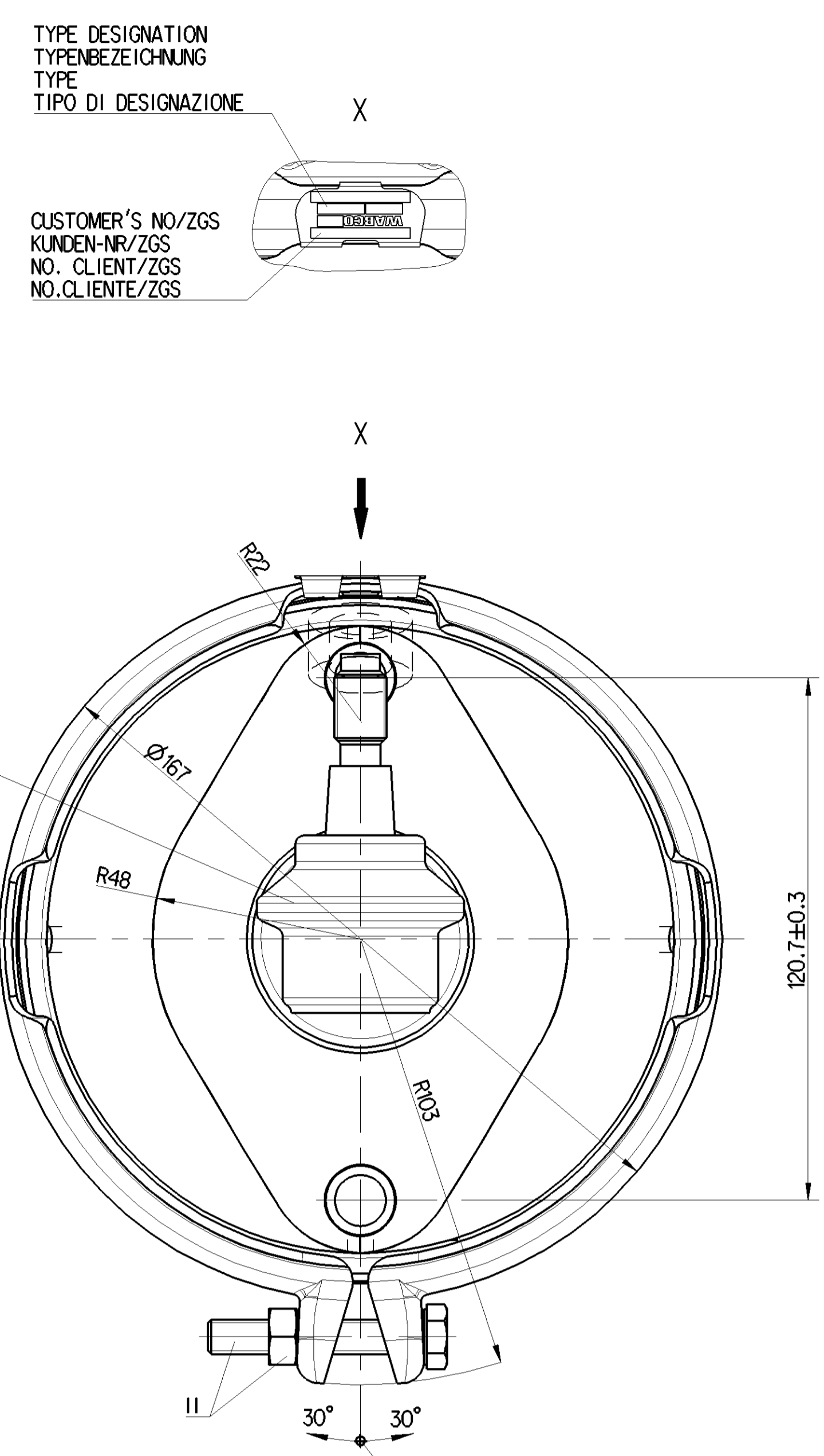
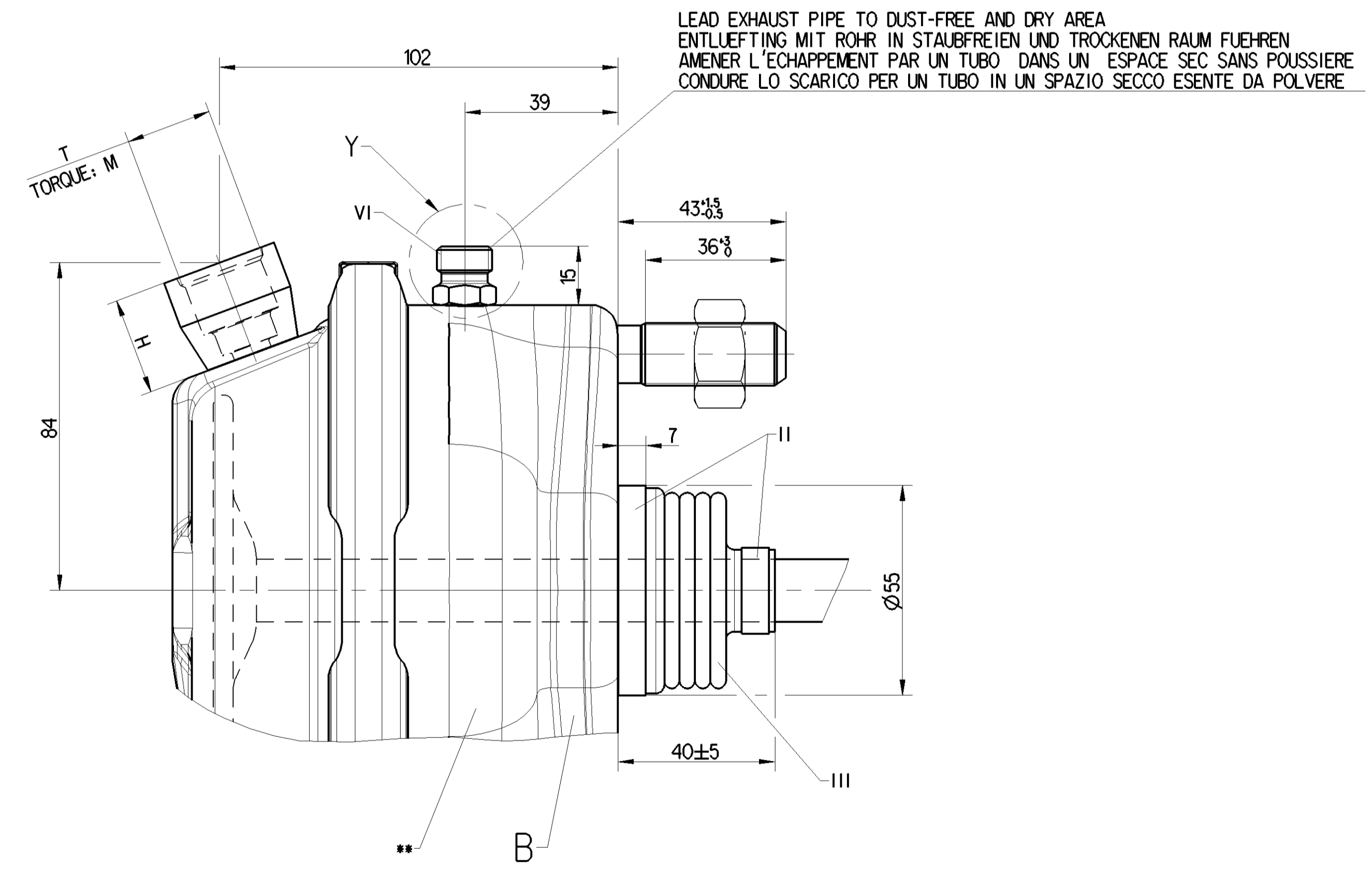
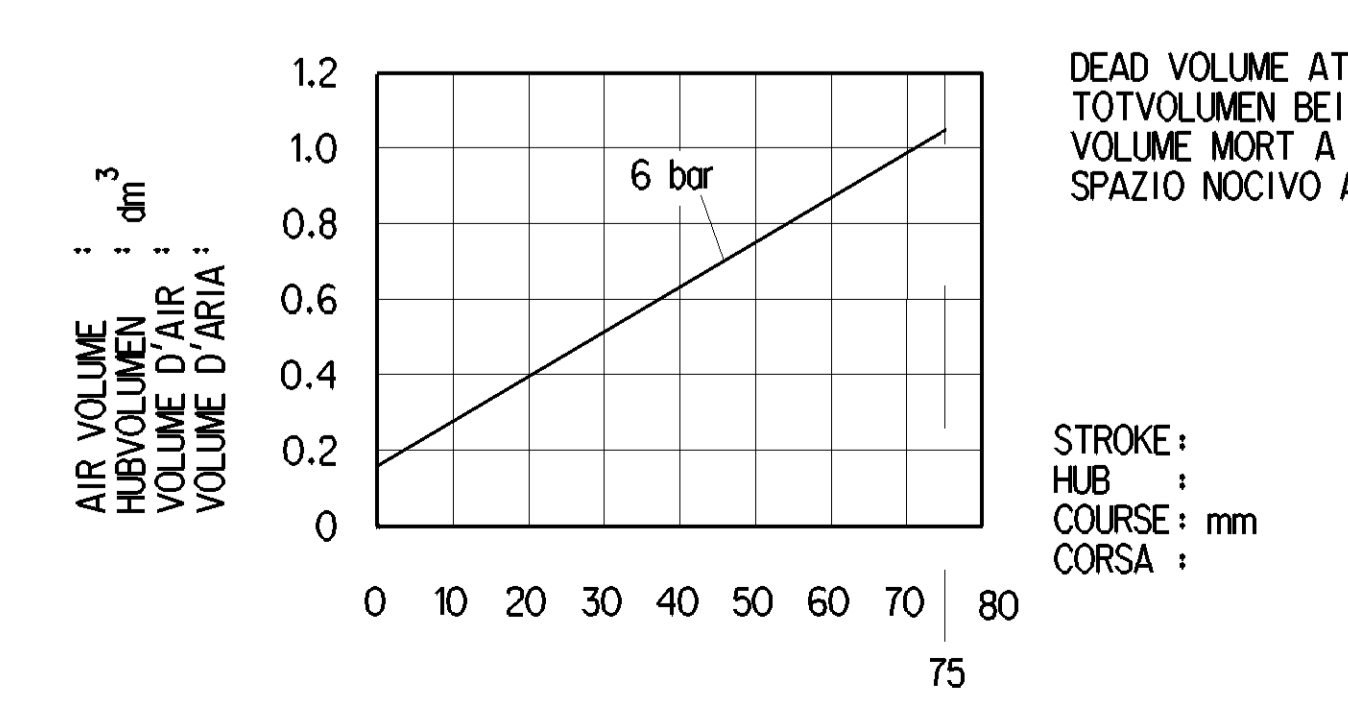
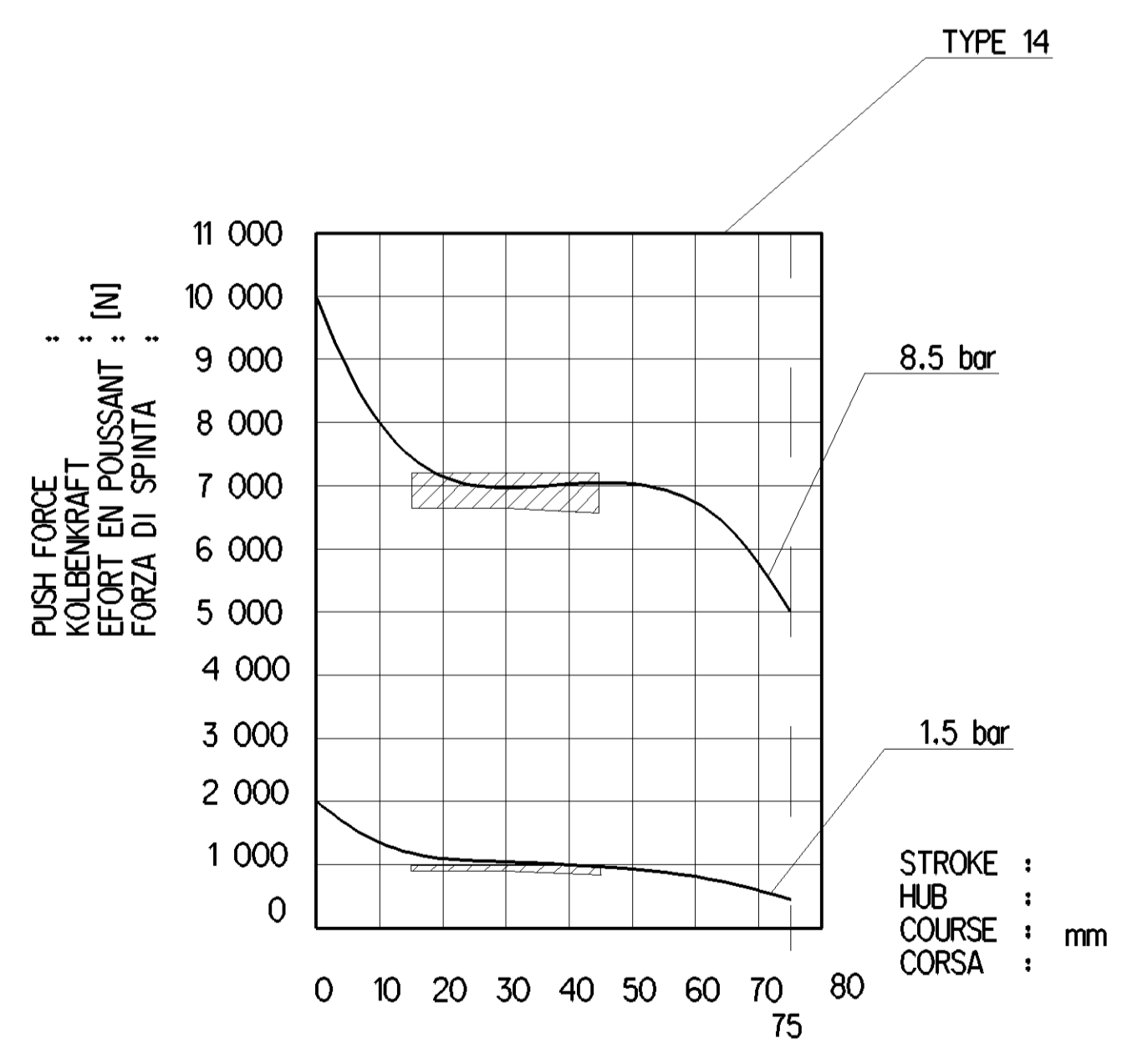
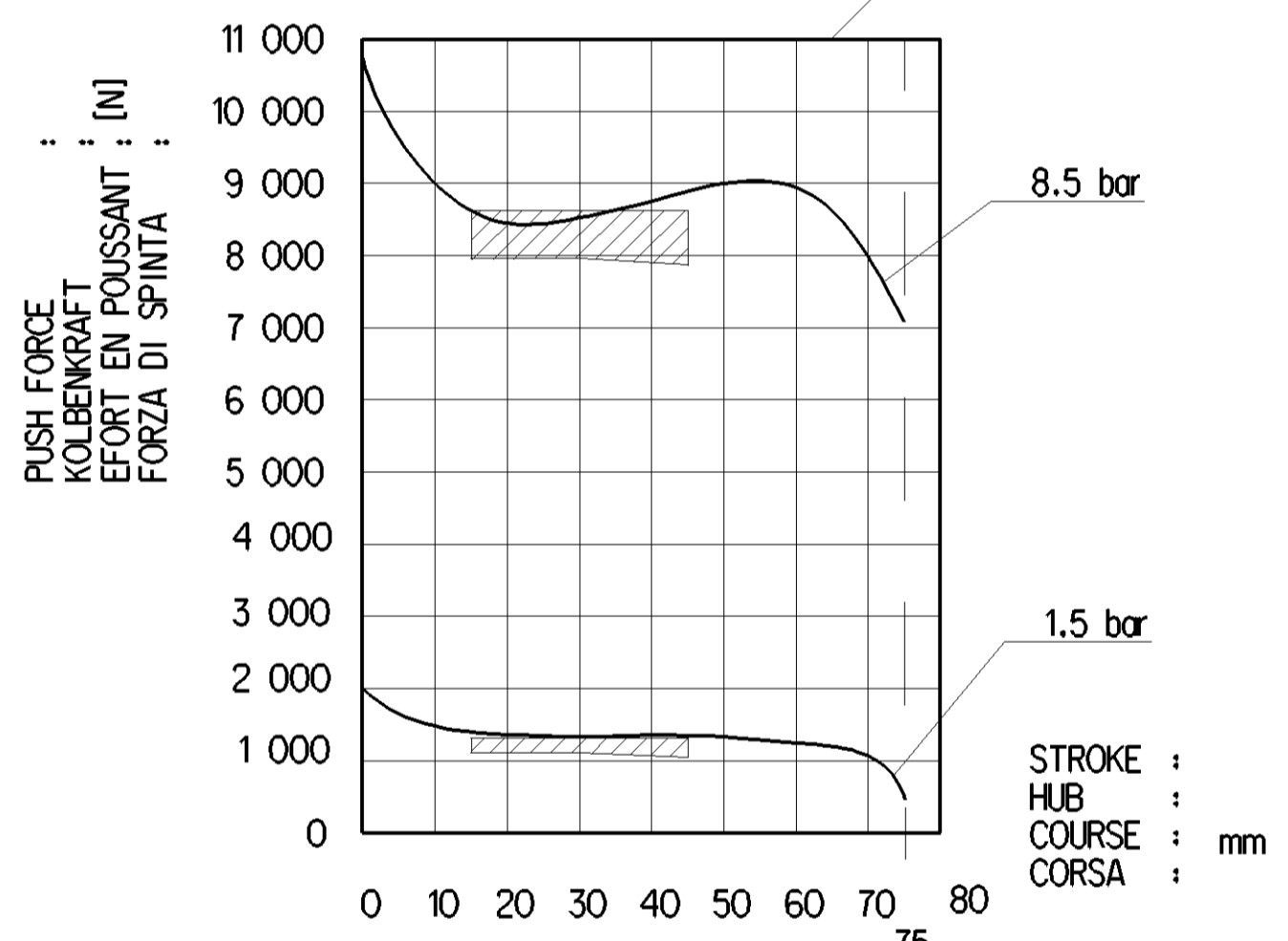


SURFACE PROTECT. OBERFL. SCHUTZ	
I	JED-240-3
II	JED-256-1
III	RUBBER/PLASTIC
IV	JED-371
V	JED-240-2
VI	MS
VII	JED-256-0 (K)

SAFETY CHARACTERISTICS		
◊	SIGNIFICANT CHARACTERISTICS	0
◊	CUSTOMER INTERFACE	0
		8811 0.360 ±0.30



- OPEN BREATHER HOLE  
OFFEN ATMUNGSBOHRUNG  
OUVERT TROU RENIFLARD  
APERTO FORO RESPIRATORE
- SUITABLE FOR FORDING  
B WATFAHIG  
APTE AU PASSAGE A GUE  
IMPERMEABILE ALL' IMMERSIONE
- DEFLECTION : max. 6° AT STROKE 0 mm  
AUSLENKUNG : max. 6° BEI HUB  
DEFLEXION : A COURSE  
DEVIAZIONE : A CORSA
- FORCE OF RETURN SPRING : 200 ± 20 N  
RUFKSTELLFEDERKRAFT DER FEDER :  
EFFORT DU RESSORT DE RAPPEL :  
FORZA DELLA MOLLA DI RITORNO :
- THERMAL RANGE OF APPLICATION :  
THERMISCHER ANWENDUNGSBEREICH : -40°C...+80°C  
GAMME D'APPLICATION THERMIQUE :  
CAMPO DI APPLICAZIONE TERMICA :
- MEDIUM : AIR  
MEDIUM : LUFT  
FLUIDE : AIR  
FLUIDO : ARIA
- SERVICE PRESSURE : Pe max. = 10.2 bar  
BETRIEBSDRUCK :  
PRESSION DE SERVICE :  
PRESSIONE DI ESERCIZIO :
- (TEMPORARILY)  
KURZZEITIG : Pe max. = 13 bar  
(DE COURTE DUREE)  
(BREVE TEMPO SOLO):
- WIDTH ACROSS FLATS  
SCHLUESSELWEITE  
SURPLATS  
LARGHEZZA IN CHIAVE
- NOMINAL DIAMETER : min Ø8.5  
NENNWEITE :  
DIAMETRE NOMINAL :  
DIAMETRO NOMINALE :



IDENTIFICATION	CUSTOMER'S NO. KUNDEN-NR. No. CLIENT No. CLIENTE	ZGS	CAD	AUSFUEHRUNG	THREAD GEWINDE FILETTAGE FILETTATURA	T	M (Nm)	H (mm)	L (mm)	TYPE TYPE TIPO	DESIGN AUSFUEHRUNG ESECUZIONE	MASS GEWICHT MASSE MASSA (kg)
423 114 600 0					M16x1.5	45 ± 5	14	155	14	A		3.5
423 104 636 0	A 022 420 64 18				M22x1.5 ; JED-388 1/2"-14NPTF ; JED-686	15 ± 5	25	183	16	B		3.6
423 104 635 0					M16x1.5	45 ± 5	14	155	16	A		3.5
423 104 632 0					M16x1.5	45 ± 5	14	155	16	A		3.5

General Specifications JED-354-0

Further Technical Data

Doc. Code: 2021-08-18

Range of Nominal Dimensions L (mm)

Class	0	1	2	3	4	5	6	7	8	9	10	11	12	13	14	15	16	17	18	19	20	21	22	23	24
Min	0.5	1.0	1.5	2.0	3.0	4.0	5.0	6.5	8.0	10.0	12.0	15.0	18.0	22.0	28.0	35.0	45.0	55.0	70.0	90.0	110.0	140.0	180.0	230.0	300.0
Max	1.0	2.0	3.0	4.0	5.0	6.5	8.0	10.0	12.0	15.0	18.0	22.0	28.0	35.0	45.0	55.0	70.0	90.0	110.0	140.0	180.0	230.0	300.0	390.0	500.0

WABCO

BRAKE CHAMBER  
MEMBRANZYLINDER  
VASE A DIAPHRAGME  
BRAKE CHAMBER

423 104 639 0

053 ML 1/1

503941 4 x K 5340