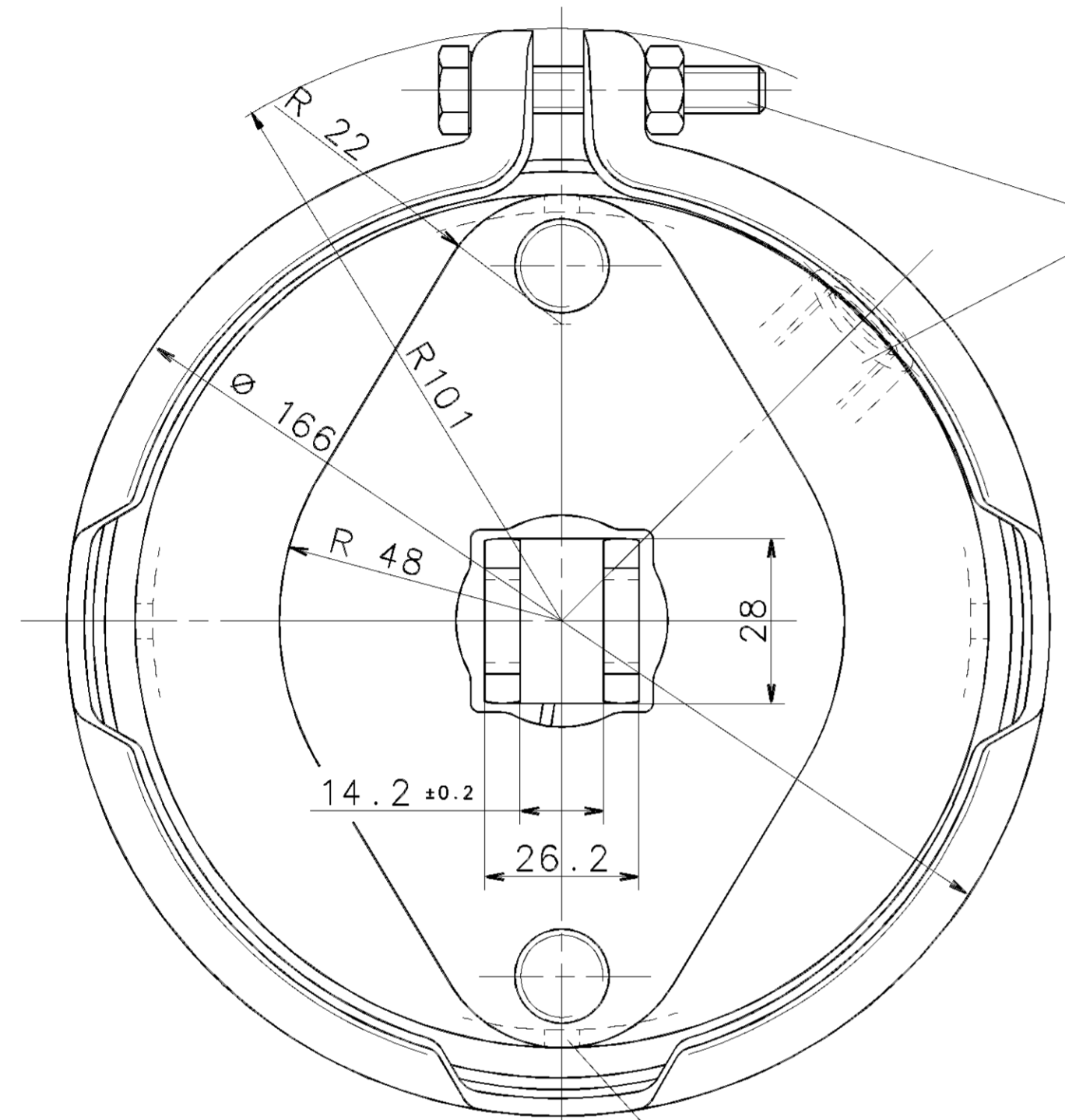
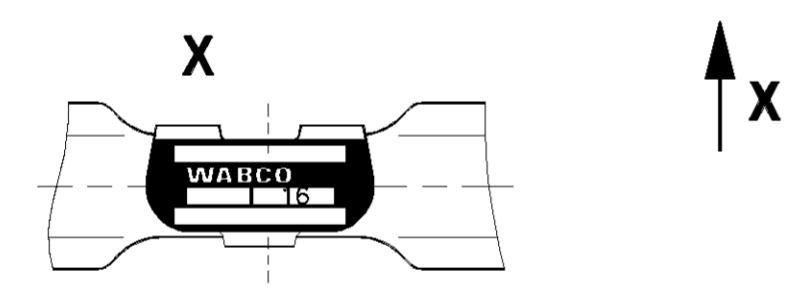


| | |
|-----------------------------------|-----------|
| SURFACE PROTECT. / OBERFL. SCHUTZ | |
| I | JED-240 |
| II | JED-256-1 |

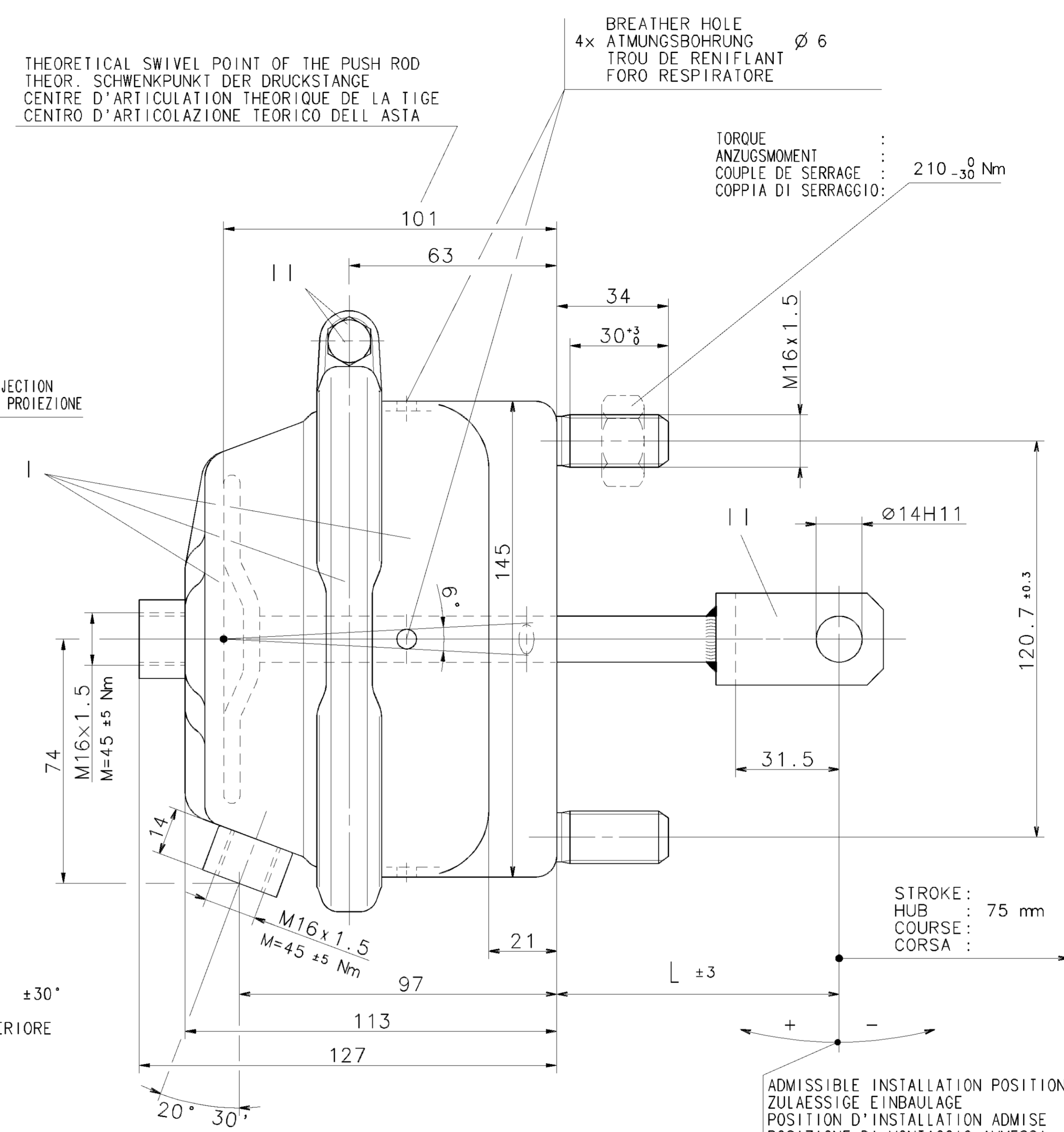
14 H11 +0.110
0



OUT OF PLANE
VERSETZT GEZEICHNET
AU DEHORS DU PLAN DE PROJECTION
AL DI FUORI DEL PIANO DI PROIEZIONE



TO BE INSTALLED WITH LOWER BREATHER HOLE
IM EINBAUZUSTAND UNTERE ATMUNGSBOHRUNG ±30°
A MONTER AVEC LE RENIFLARD INFERIEUR
INSTALLAZIONE : CON IL FORO DI SFIATO INFERIORE



STROKE:
HUB : 75 mm
COURSE :
CORSA :

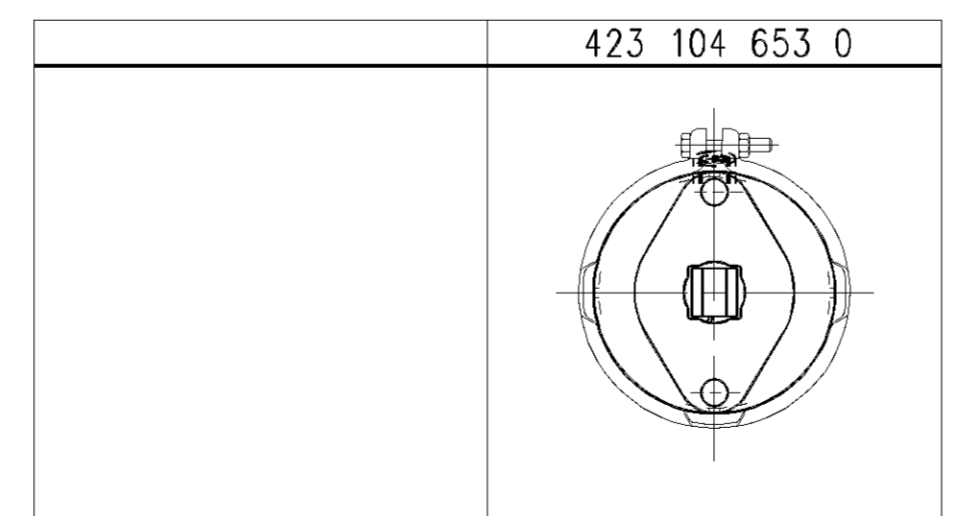
FORCE OF RETURN SPRING : 250 ± 25 N
RUECKSTELLKRAFT DER FEDER :
EFFORT DU RESSORT DE RAPPEL :
FORZA DELLA MOLLA RITORNO :
THERMAL RANGE OF APPLICATION : -40 °C..+80 °C
THERMISCHER ANWENDUNGSBEREICH :
GAMME D'APPLICATION THERMIQUE :
CAMPO DI APPLICAZIONE TERMICA :

MEDIUM : AIR
MEDIUM : LUFT
FLUIDE : AIR
FLUIDO : ARIA

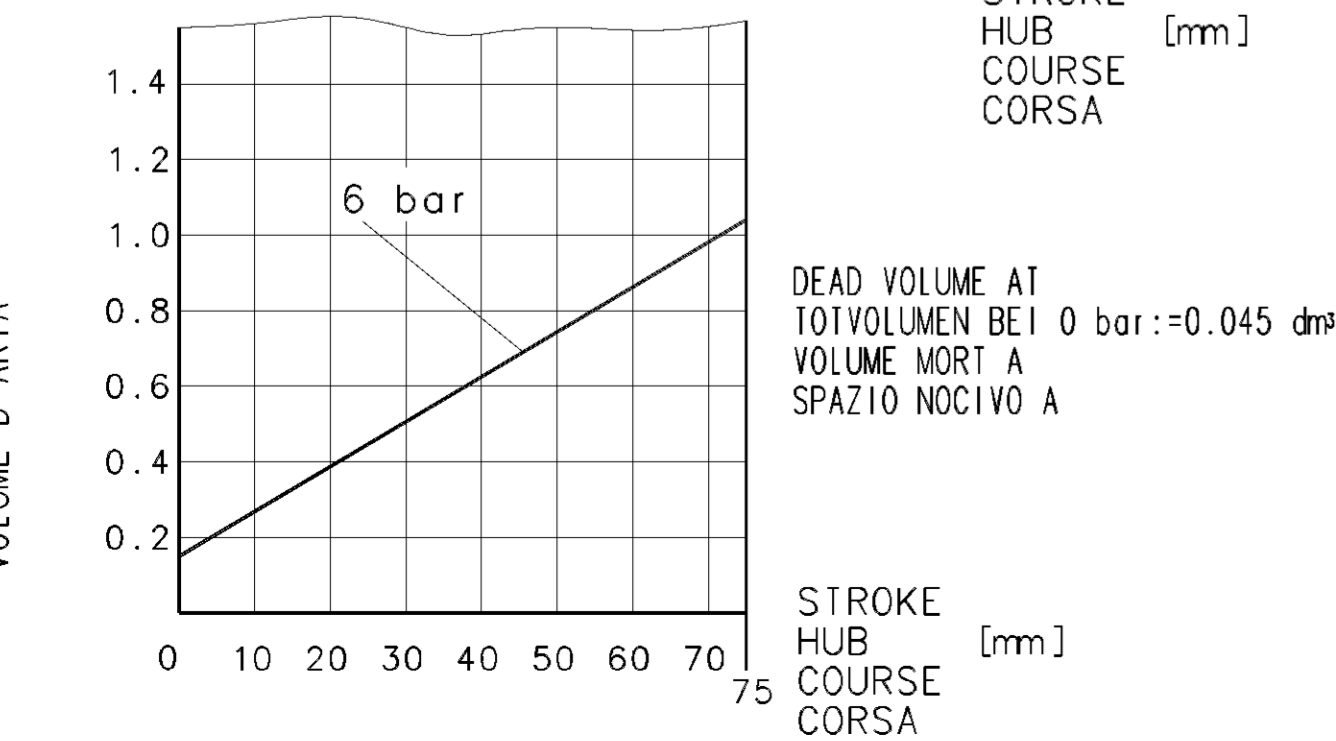
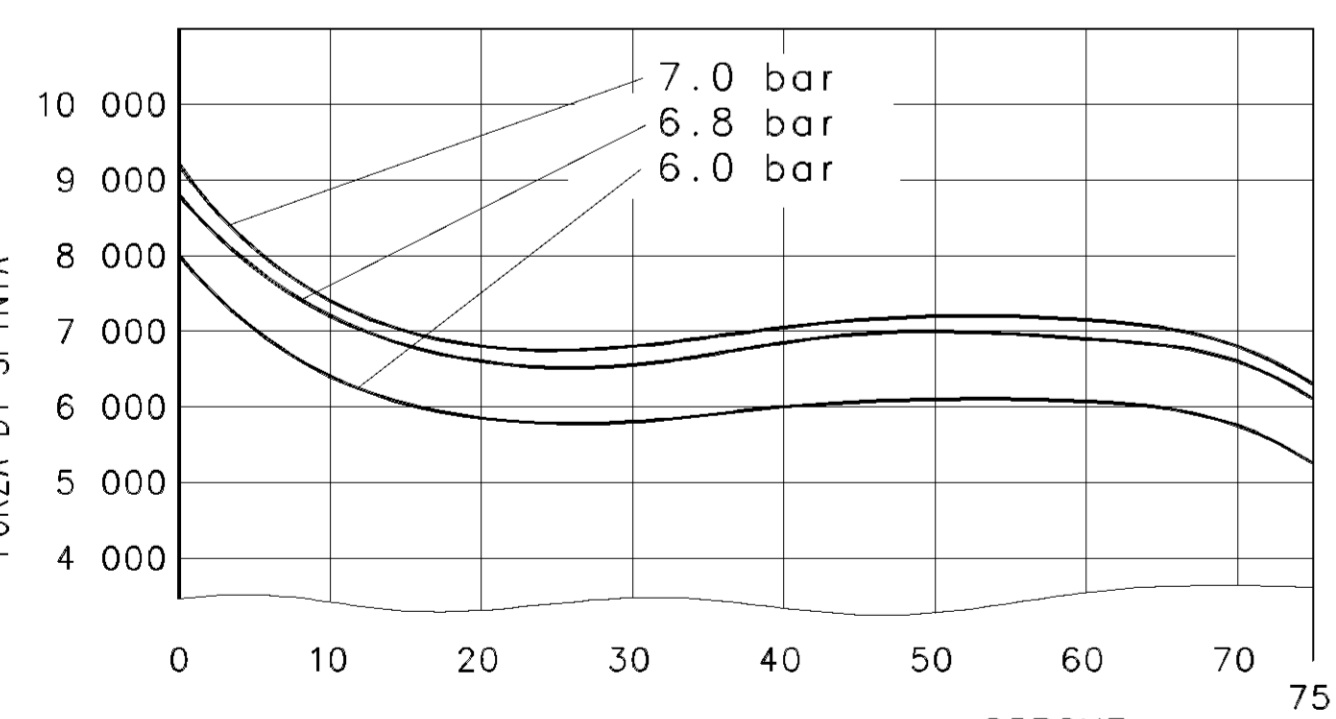
SERVICE PRESSURE :
BETRIEBSDRUCK : Pe max. = 10 bar
PRESSION DE SERVICE :
PRESSIONE DI ESERCIZIO :

(TEMPORARILY :
KURZZEITIG : Pe max. = 12 bar)
(DE COURTE DUREE :
(BREVE TEMPO SOLO :

HAUPTANSICHTEN BEZIEHEN SICH NUR AUF DIE ABMESSUNGEN
POSITION DER BAUTEILE SIEHE ABWANDLUNGSDARSTELLUNGEN



| | |
|----------------|---|
| 423 104 653 0 | |
| 423 104 653 0 | 1379575 |
| WABCO | CUSTOMER'S NO. KUNDEN-NR. No. CLIENT No. CLIENTE |
| IDENTIFICATION | DIMENSIONS |
| | L ± 3 |



| | | | |
|--|------------------------|-------------------------|---------------|
| GENERAL SPECIFICATION: JED-334 | | CADAM-DRAWING COPYRIGHT | |
| FURTHER TECHNICAL DATA: | | DATE SIGNATURE | |
| DOC. CODE: | SHEET: 10 | 37-02-24 | MUELLER |
| GENERAL TOLERANCES | | 071488 | 4x E 99-06-23 |
| RANGE OF NOMINAL DIMENSIONS (± mm) | | 080907 | 1x F 01-07-19 |
| CLASS 1) | > 50 > 180 > 400 > 400 | 071466 | 4x D 99-06-14 |
| FINE | 0.5 1.0 1.5 2.0 | 056917 | 5x C 94-12-12 |
| MEDIUM | 1.0 2.0 3.0 4.0 | 045360 | 2x B 90-01-31 |
| COURSE | 2.0 3.5 5.0 6.5 | 045311 | 1x A 89-12-15 |
| TAPPED HOLES ACC. ISO 4039 / JED-152 | | 045311 | 1x A 89-12-15 |
| 1) TOLERANCE CLASS APPLIED CROSSMARKED | | DCN-NO. | REV. DATE |
| | | A 1 | 185 |

WABCO
BRAKE CHAMBER
MEMBRANZYLINDER TYPE 16
VASE A DIAPHRAGME
BRAKE CHAMBER

PRODUCT IDENTIFICATION NO.
423 104 659 0
DOC. CODE 653
SHEET 1/1