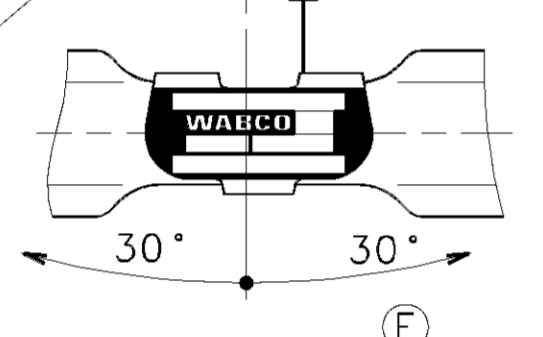
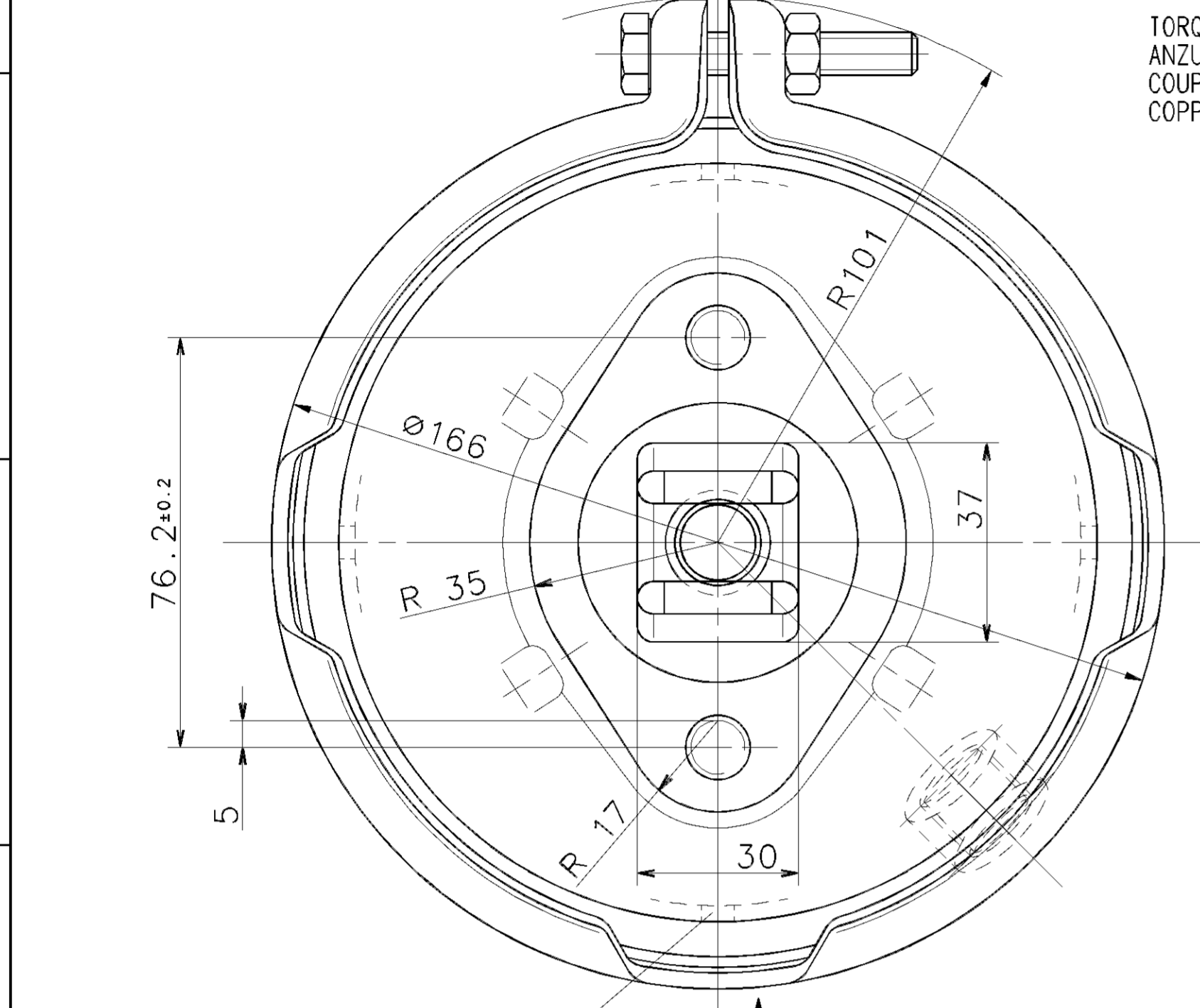


SURFACE PROTECT. / OBERFL. SCHUTZ		
IDENTIFICATION BENENNUNG DENOMINAZIONE	423 104 299 0	423 104 298 0
I	JED-240-0	JED-240-3
II	JED-256-1	JED-256-1
III	GUMMI / KUNSTSTOFF	GUMMI / KUNSTSTOFF
IV	JED 240-2	JED 240-2
V	JED 371	JED 371

14 f8	-0.016
14 H11	+0.110
14 H8	+0.027



*) TO BE INSTALLED WITH LOWER BREATHER HOLE
IM EINBAUZUSTAND UNTERE ATMUNGSBOHRUNG
A MONTER AVEC LE RENIFLARD INFERIEUR
INSTALLAZIONE : CON IL FORO DI SFILATO INFERIORE

BREATHER HOLES
ATMUNGSBOHRUNGEN 4 x Ø 6
TROUS DE RENIFLANT
FORI DI RESPIRATORE

3x PLUGGED
VERSCHLOSSEN
OBTURE
CHIUSO

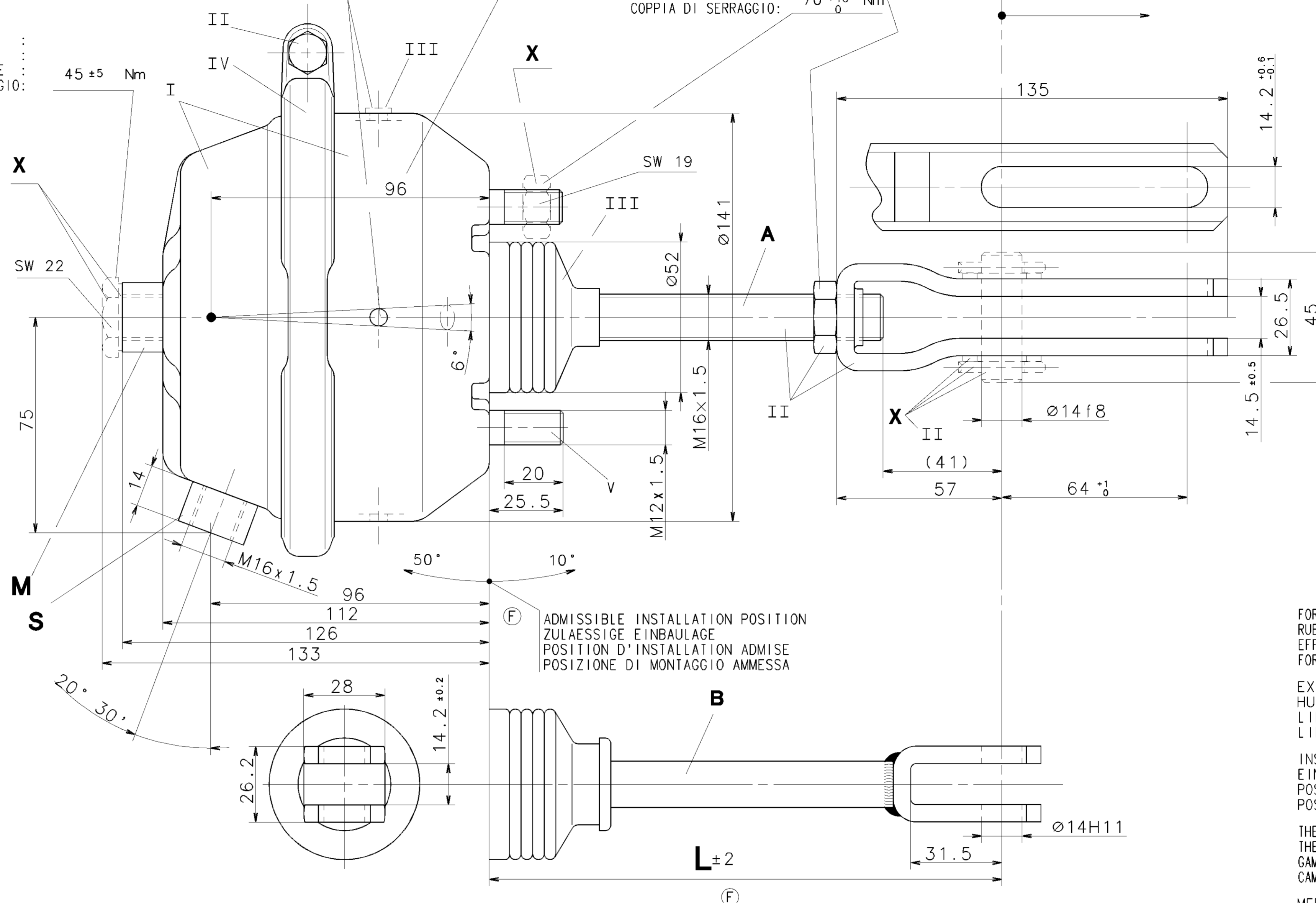
4x OPEN
OFFEN
OUVERT
APERTO

THEORETICAL SWIVEL POINT OF THE PUSH ROD
THEOR. SCHWENKPUNKT DER DRUCKSTANGE
CENTRE D'ARTICULATION THEORIQUE DE LA TIGE
CENTRO D'ARTICOLAZIONE TEORICO DELL'ASTA

TORQUE
ANZUGSMOMENT : 80 ± 10 Nm
COUPLE DE SERRAGE : 70 ± 16 Nm
COPPIA DI SERRAGGIO :

STROKE :
HUB : 75 mm
COURSE :
CORSO :

TORQUE
ANZUGSMOMENT : 45 ± 5 Nm
COUPLE DE SERRAGE :
COPPIA DI SERRAGGIO :



AMMISSIBLE INSTALLATION POSITION
ZULAESSIGE EINBAULAGE
POSITION D'INSTALLATION ADMISE
POSIZIONE DI MONTAGGIO AMMESSA

FORCE OF RETURN SPRING :
RUECKSTELTKRAFT DER FEDER :
EFFORT DURESSORDE RAPPEL :
FORZA DELLA MOLLA RITORNO :

EXTERNAL STROKE LIMIT
HUBBEGRENZUNG EXTERN
LIMITE DE COURSE EXTERNE
LIMITAZIONE DI CORSA ESTERNO

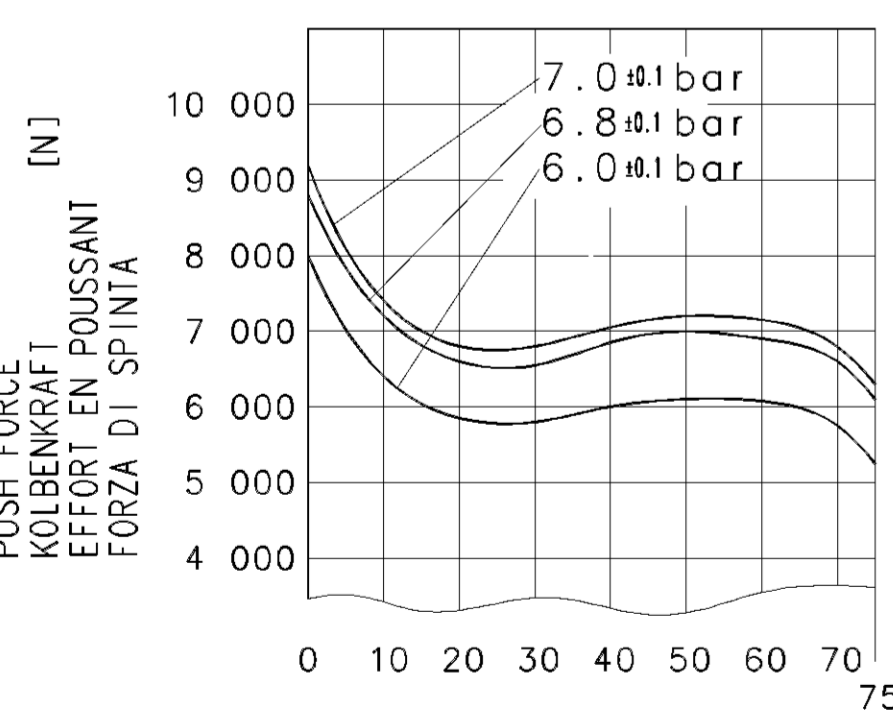
INSTALLATION POSITION : OPTIONAL *
EINBAULAGE : BELIEBIG
POSITION D'INSTALLATION : A INDIFFERENTE
POSIZIONE DI MONTAGGIO : A SCELTA

THERMAL RANGE OF APPLICATION :
THERMISCHER ANWENDUNGSBEREICH : -40 °C .. +80 °C
GAMME D'APPLICATION THERMIQUE :
CAMPO DI APPLICAZIONE TERMICA :

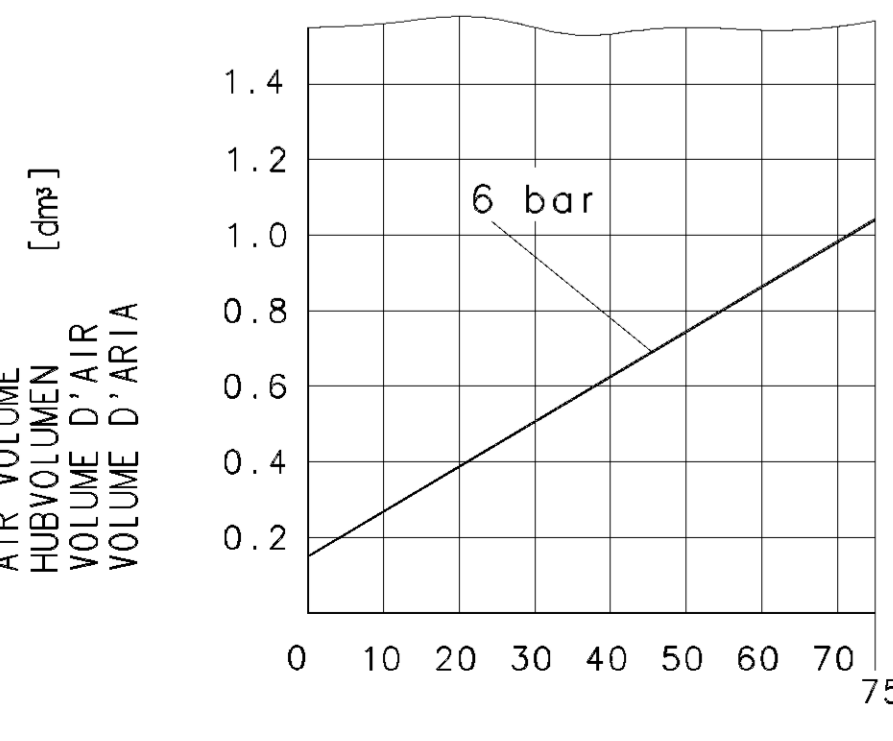
MEDIUM : AIR
MEDIUM : LUFT
FLUIDE : AIR
FLUIDO : ARIA

SERVICE PRESSURE :
BETRIEBSDRUCK : Pe = max. 10 bar
PRESSION DE SERVICE :
PRESSIONE DI ESERCIZIO :

(TEMPORARILY)
(KURZZEITIG) : Pe max. = 12 bar
(DE COURTE DUREE)
(BREVE TEMPO SOLO) :



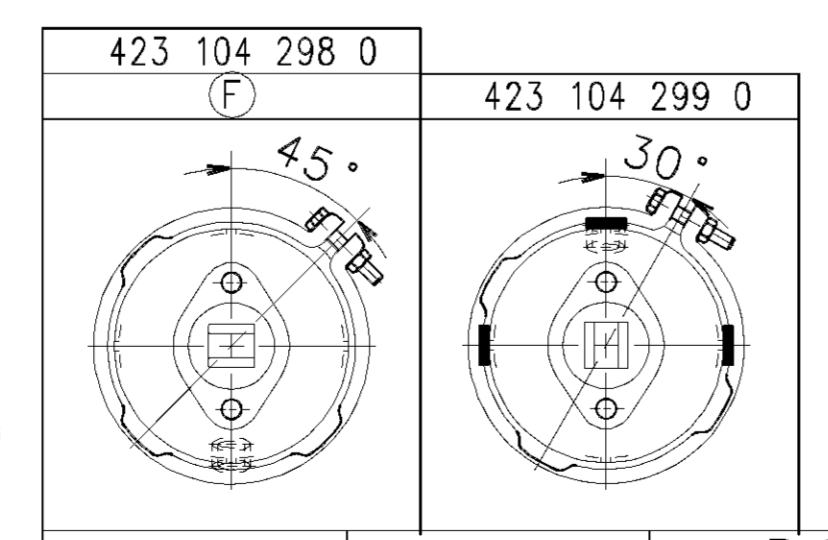
STROKE
HUB
COURSE
CORSO [mm]



DEAD VOLUME AT
TOTVOLUMEN BEI 0 bar := 0.045 dm³
VOLUME MORT A
SPAZIO NOCIVO A

STROKE
HUB
COURSE
CORSO [mm]

* *) BY-PACKING :
BEIPACK : X 423 902 532 2
PAQUET JOINT :
PACKO RIUNCHIUSO :
ON SPECIAL ORDER ONLY
NUR AUF BESTELLUNG
SUR COMMANDE SEULEMENT
SU ORDINAZIONE SOLAMENTE



MAIN VIEWS REFER TO DIMENSIONS ONLY
HAUPTANSICHTEN BEZIEHEN SICH NUR AUF DIE ABMESSUNGEN
VUES PRINCIPALES CONCERNENT LES DIMENSIONS SEULEMENT
VISITE PRINCIPALI RIGUARDANO DIMENSIONI SOLAMENTE

IDENTIFICATION		DIMENSIONS		PORT ANSCHLUSS ORIFICE		BY-PACKING BEIPACK PAQUET JOINT PACKO RIUNCHIUSO	
423 104 299 0	423 104 298 0	B+P	135	M + S	250 ± 25	F [N]	
423 104 299 0		A+O	227	M + S	100 ± 10	*	*
WABCO	CUSTOMER'S NO. KUNDEN-NR. No. CLIENT No. CLIENTE	DESIGN AUSFUEHRUNG EXECUTION ESECUZIONE	L				

GENERAL SPECIFICATION: JED-334				CADAM-SEALING COPYRIGHT		WABCO	
FURTHER TECHNICAL DATA:				DATE	SIGNATURE		
DOC. CODE: SHEET: TO				37-04-14	MUELLER	BRAKE CHAMBER 16	
GENERAL TOLERANCES				088424	10x F	MEMBRANZYLINDER	
CLASS	1)	RANGE OF NOMINAL DIMENSIONS (± mm)		080905	1x E	VASE A DIAPHRAGME	
		< 50	± 0.10	072444	5x D	BRAKE CHAMBER	
		50 - 180	± 0.15	09-09-01			
		180 - 400	± 0.20	067300	5x C		
		> 400	± 0.30	053901	5x B		
FINE	X	0.5	± 0.05	046328	1x A		
MEDIUM		1.0	± 0.05				
COURSE		2.0	± 0.05				
TAPPED HOLES ACC. ISO 4039 / JED-152							
1) TOLERANCE CLASS APPLIED CROSSMARKED				DCN-NO.	REV.	DATE	
				A	1	520	