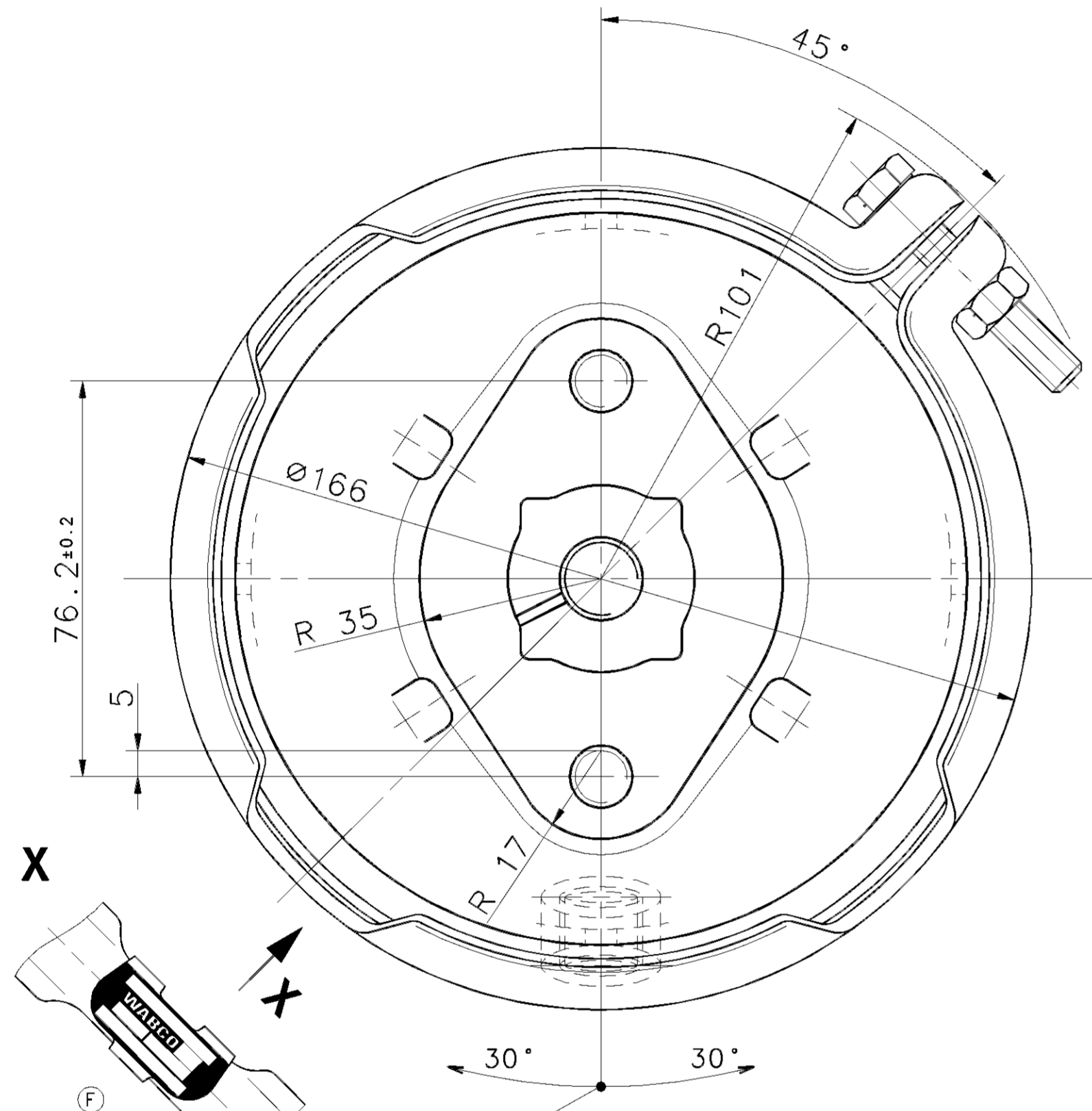


SURFACE PROTECT. / OBERFL. SCHUTZ	
I	JED-240-3
II	JED-256-1
III	JED-371
IV	JED-240-2

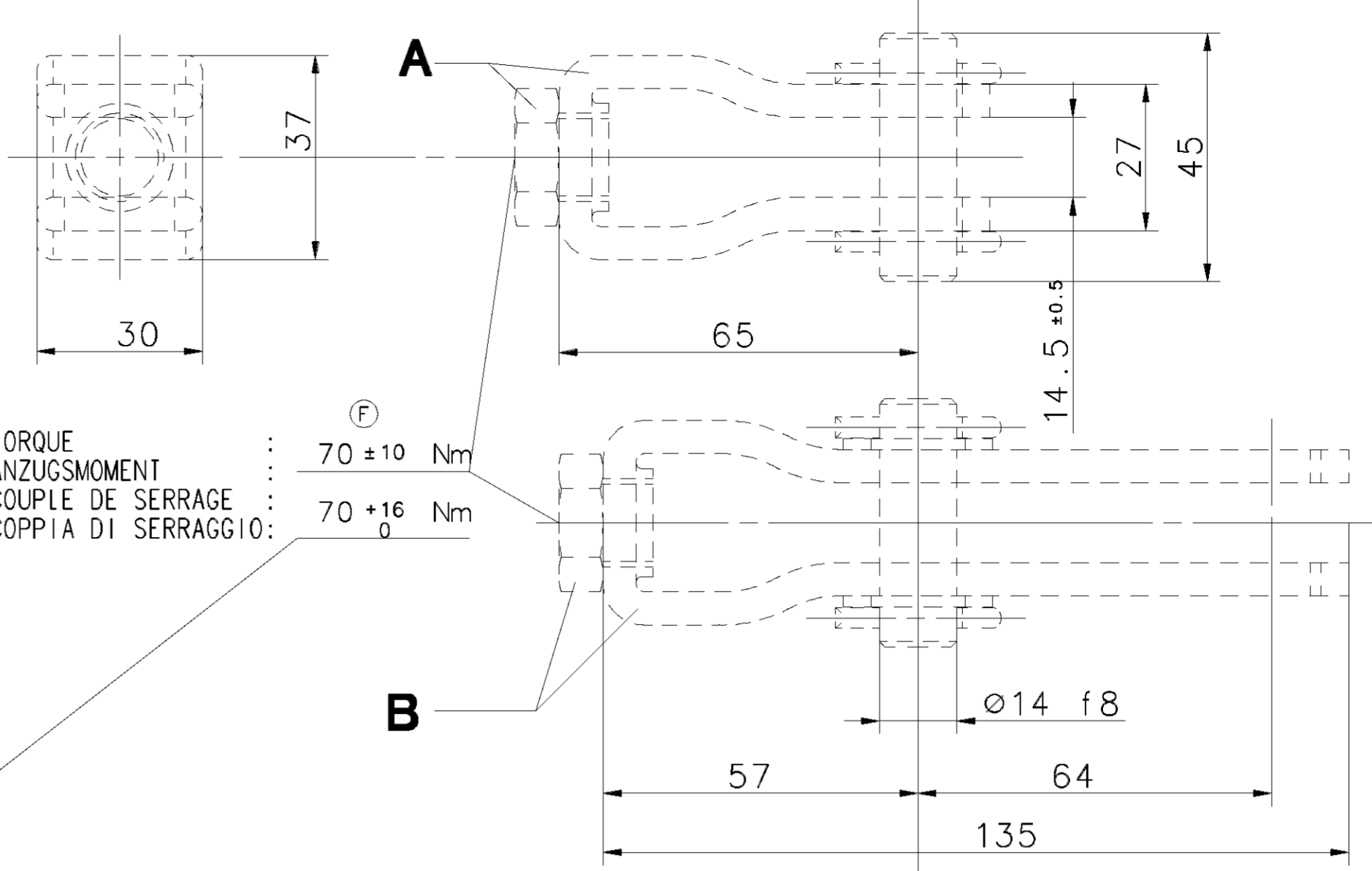
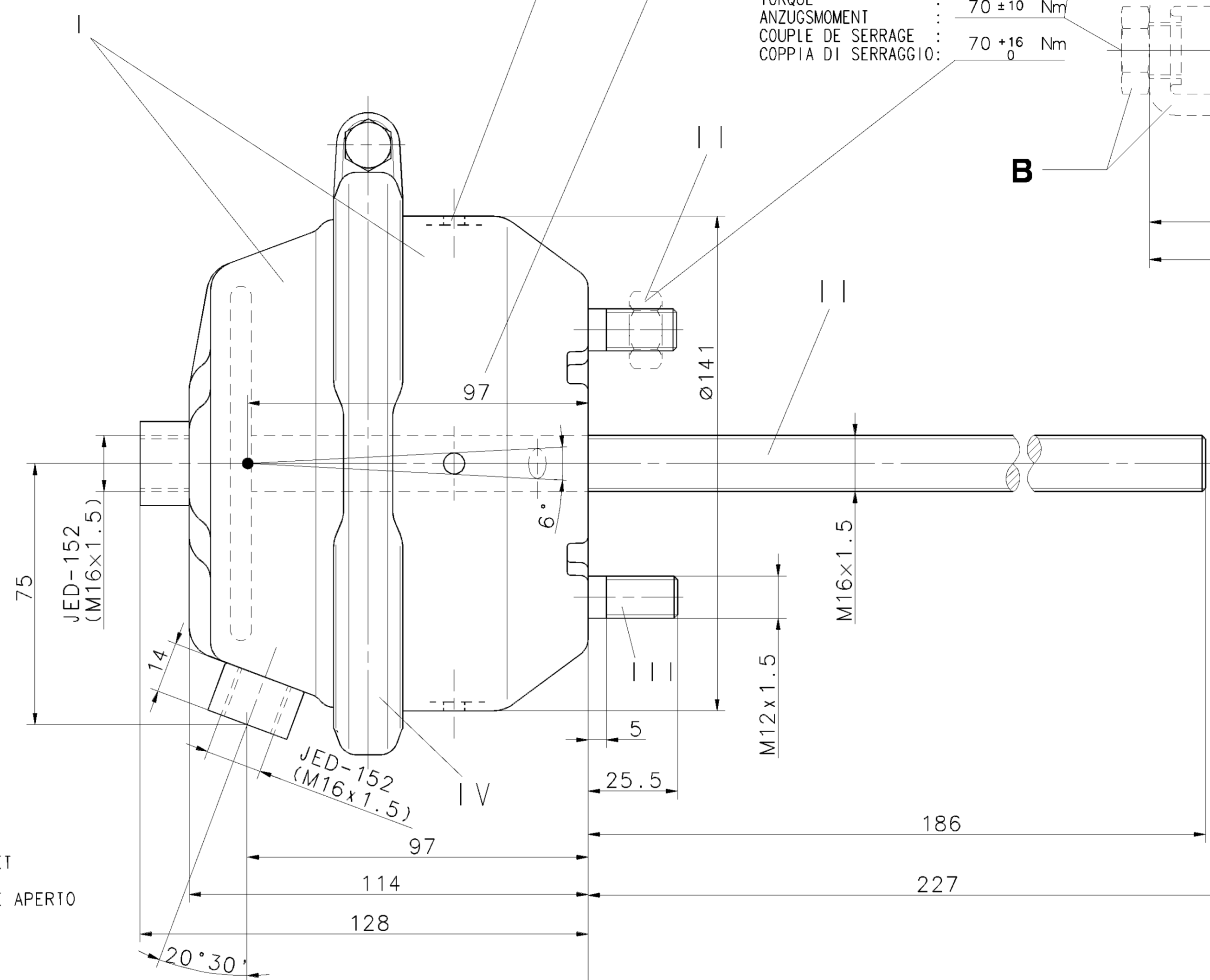


TO BE INSTALLED WITH LOWER BREATHER HOLE OPEN
 IM EINBAUZUSTAND UNTERE ATMUNGSBOHRUNG GEOEFFNET
 A MONTER AVEC LE RENIFLARD INFERIEUR OUVERT
 INSTALLAZIONE : CON IL FORO DI SFIATO INFERIORE APERTO

THEORETICAL SWIVEL POINT OF THE PUSH ROD
 THEOR. SCHWENKPUNKT DER DRUCKSTANGE
 CENTRE D'ARTICULATION THEORIQUE DE LA TIGE
 CENTRO D'ARTICOLAZIONE TEORICO DELL ASTA

OPEN BREATHER HOLES
 OFFEN ATMUNGSBOHRUNG 4xØ 6
 OUVERT TROU RENIFLEUR
 APERTO FORO RESPIRATORE

TORQUE
 ANZUGSMOMENT : 70 ± 10 Nm
 COUPLE DE SERRAGE : 70 +16 / 0 Nm
 COPPIA DI SERRAGGIO :



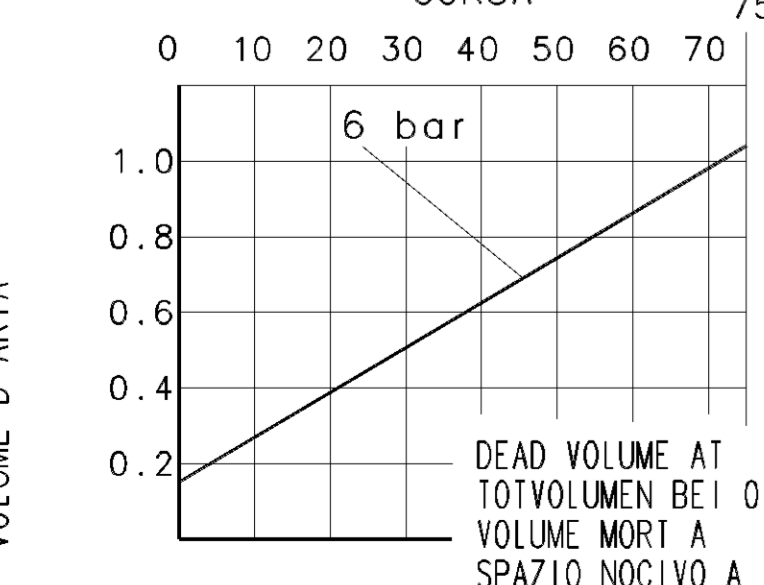
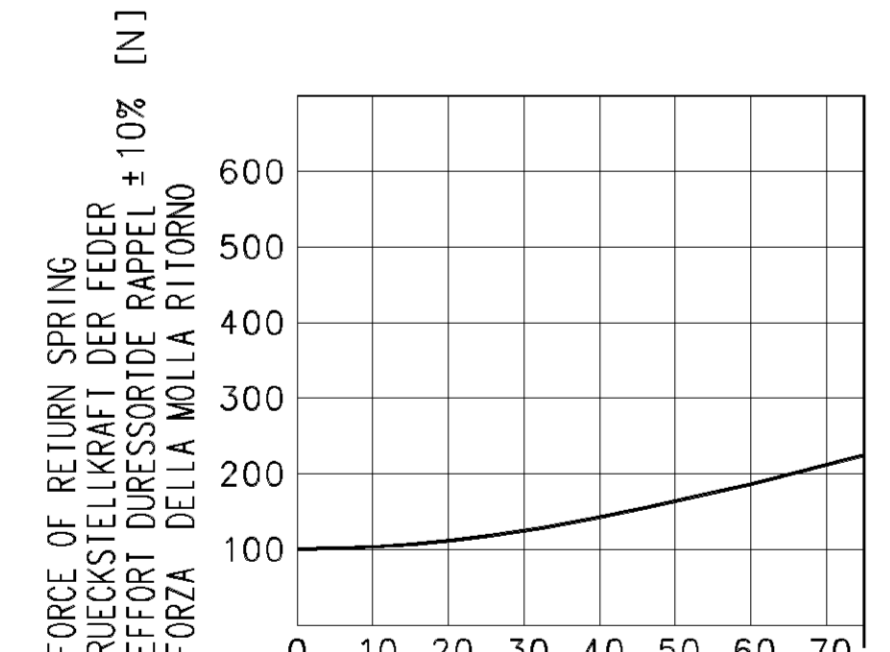
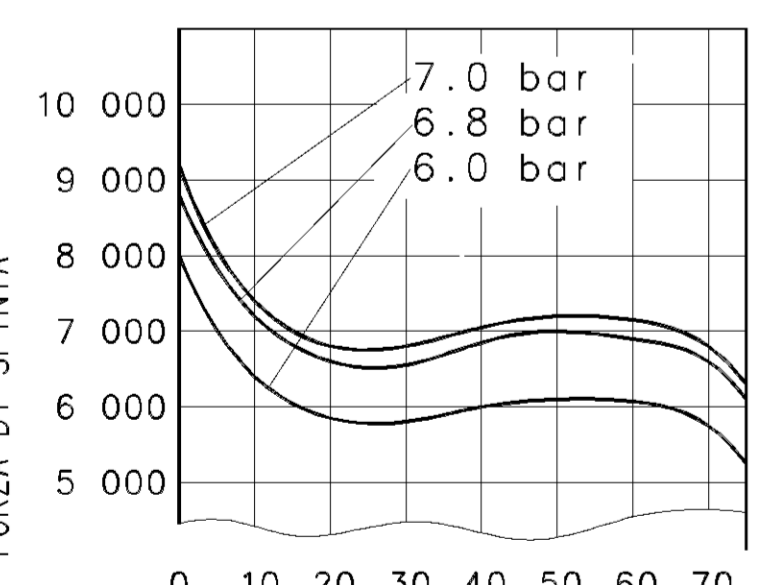
STROKE :
 HUB : 75 mm
 COURSE :
 CORSA :

EXTERNAL STROKE LIMIT
 HUBBEGRENZUNG EXTERN
 LIMITE DE COURSE EXTERNE
 LIMITAZIONE DI CORSA ESTERNO

THERMAL RANGE OF APPLICATION :
 THERMISCHER ANWENDUNGSBEREICH : -40° C. +80° C
 GAMME D'APPLICATION THERMIQUE :
 CAMPO DI APPLICAZIONE TERMICA :

SERVICE PRESSURE :
 BETRIEBSDRUCK : pe = max. 8.5bar
 PRESSION DE SERVICE :
 PRESSIONE D ESERCIZIO :

MEDIUM : AIR
 MEDIUM : LUFT
 FLUIDE : AIR
 FLUIDO : ARIA



DEAD VOLUME AT
 TOTVOLUMEN BEI 0 bar : = 0.045 dm³
 VOLUME MORT A
 SPAZIO NOCIVO A

ADMISSIBLE INSTALLATION POSITION
 ZULAESSIGE EINBAULAGE
 POSITION D'INSTALLATION ADMISE
 POSIZIONE DI MONTAGGIO AMMESSA

*) BY-PACKING : A 423 902 533 2 ON SPECIAL ORDER ONLY
 BEIPACK : A 423 902 533 2 NUR AUF BESTELLUNG
 PAQUET JOINT : B 423 902 534 2 SUR COMMANDE SEULEMENT
 PACCO RIUNCHIUSO : B 423 902 534 2 SU ORDINAZIONE SOLAMENTE

GENERAL SPECIFICATION: JED-334		CADAM-DRIVING COPYRIGHT	
FURTHER TECHNICAL DATA:		DATE SIGNATURE	
DOC. CODE:	SHEET: 10	00-05-25 Ghafari	
GENERAL TOLERANCES		CHECKED: 00-05-25 Muelier	
RANGE OF NOMINAL DIMENSIONS (± mm)		STANDARDIZATION:	
CLASS 1)	< 50 ±180 > 180 > 400 > 400	088490 8xF 04-01-05	
FINE	0,5 1,0 1,5 2,0	087198 1xE 03-10-15	
MEDIUM	1,0 2,0 3,0 4,0 ± 3'	077632 2xD 00-11-14	
COURSE	2,0 3,5 5,0 6,5	075390 C 00-05-25	
TAPPED HOLES ACC. ISO 4039 / JED-152		MASS SCALE	
1) TOLERANCE CLASS APPLIED CROSSMARKED		2.5 kg 1:1	
DCN-NO.	REV.	DATE	
A 1 037F		PRODUCT IDENTIFICATION NO.	
100mm		423 104 900 0	
EXPERT CODE 815F		DOC. CODE SHEET	
PRODUCT TYPE		605 1/1	