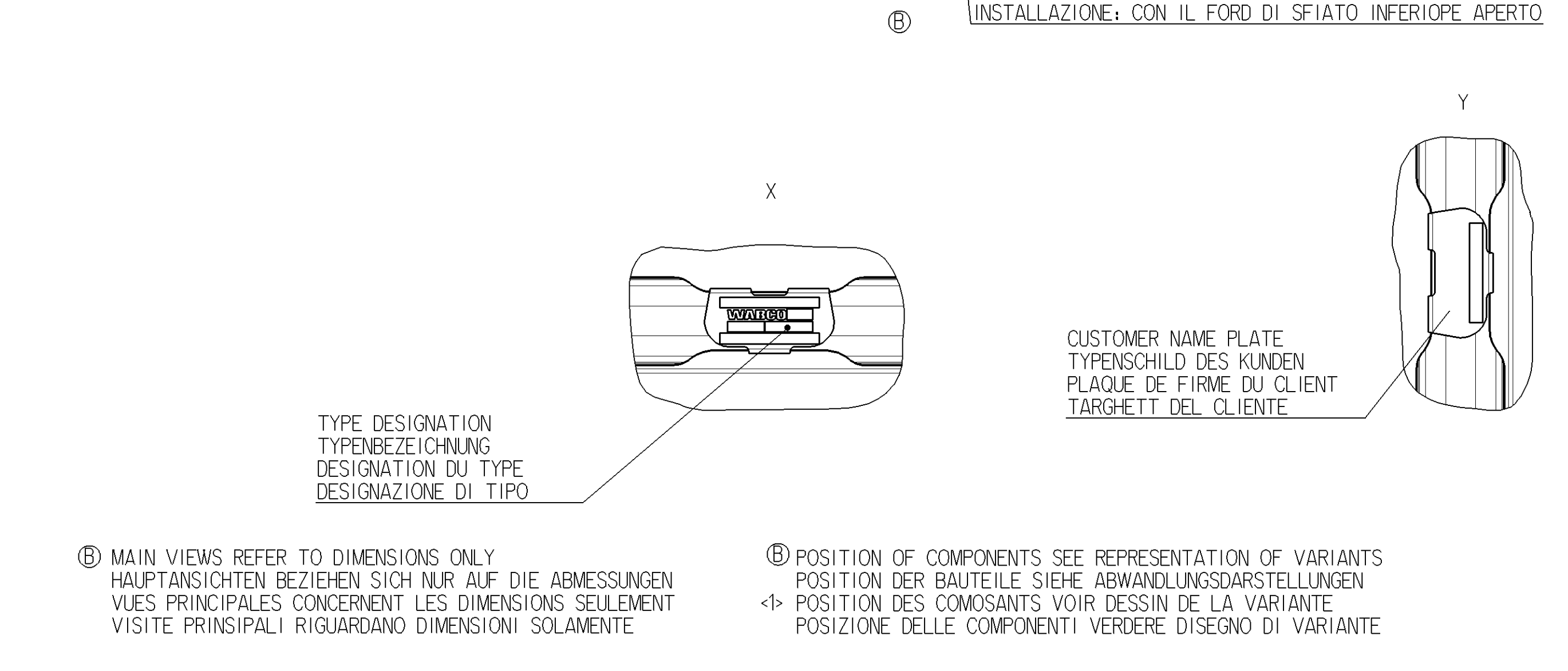
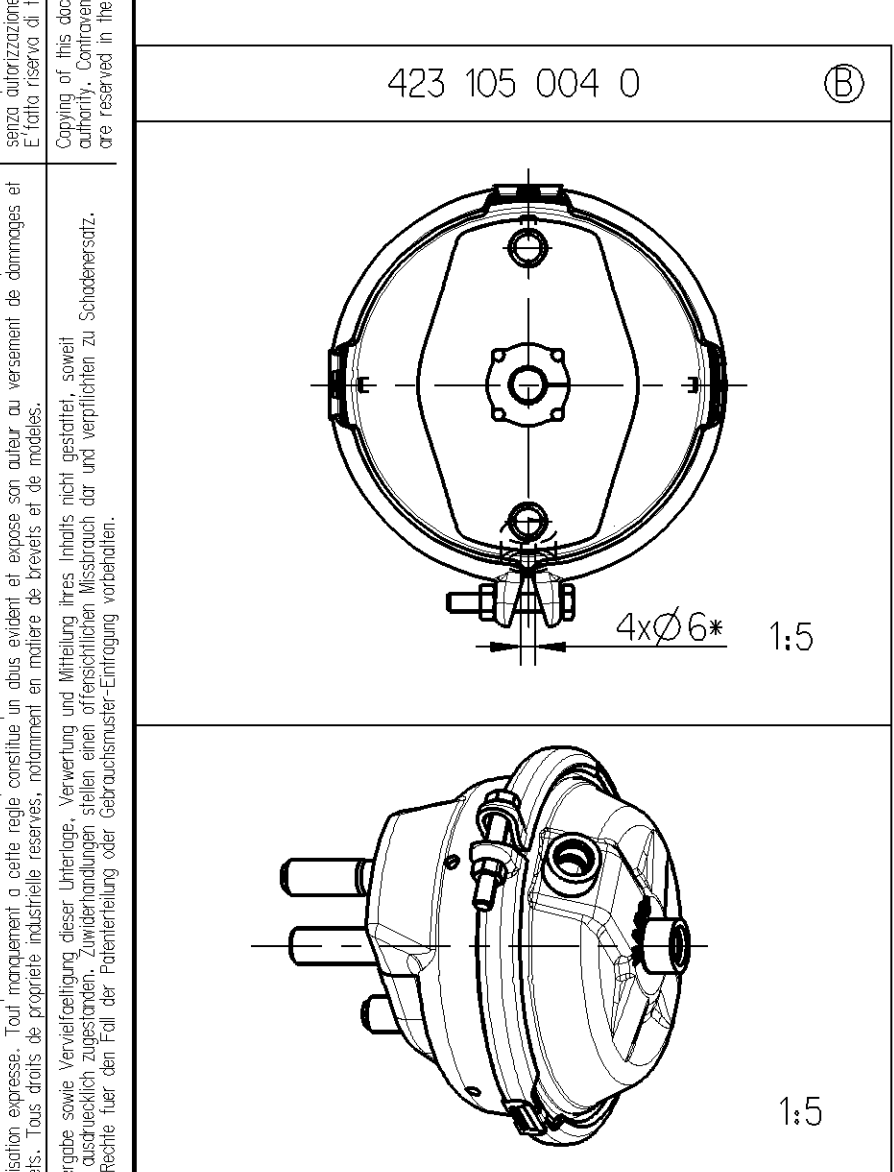
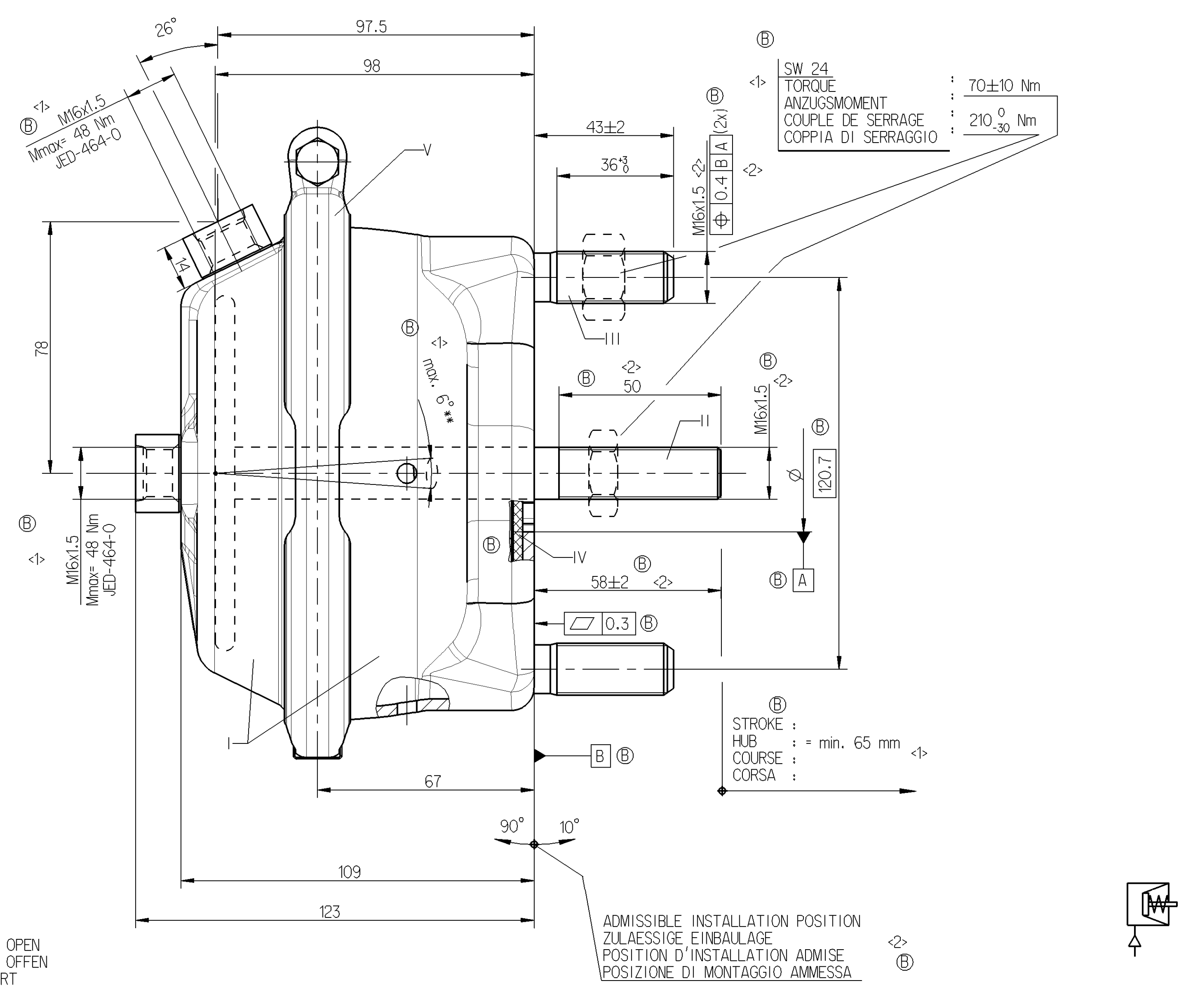
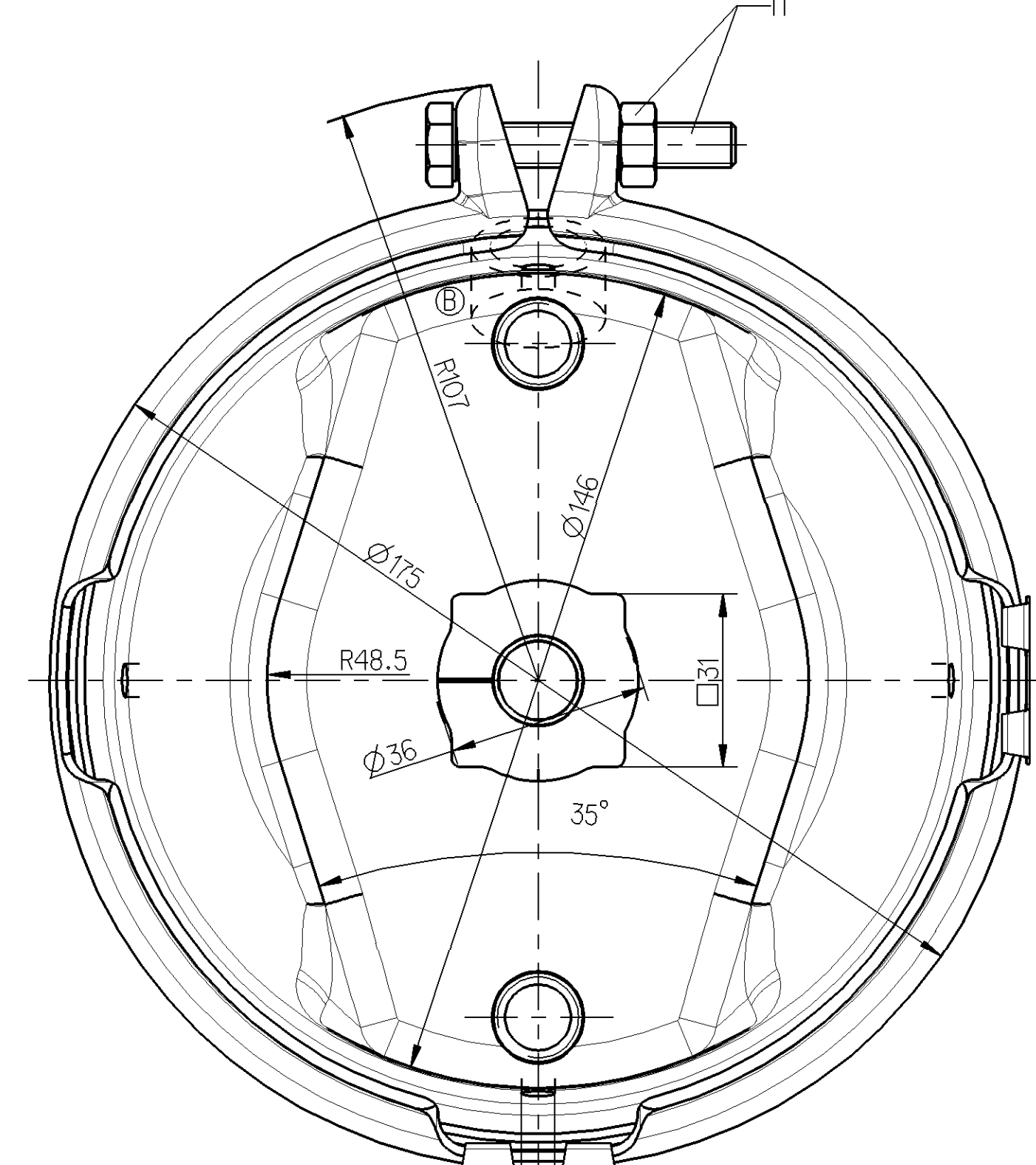
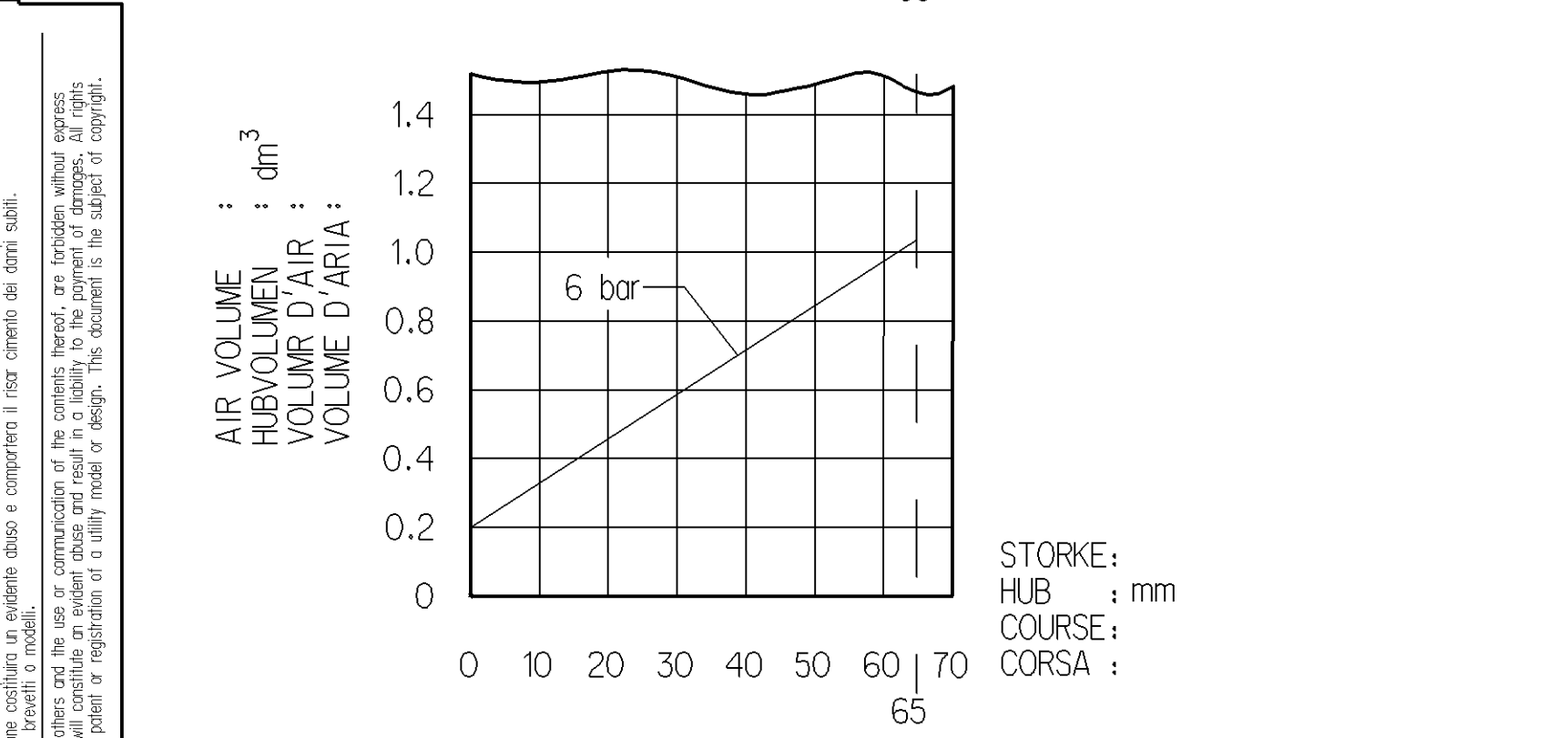
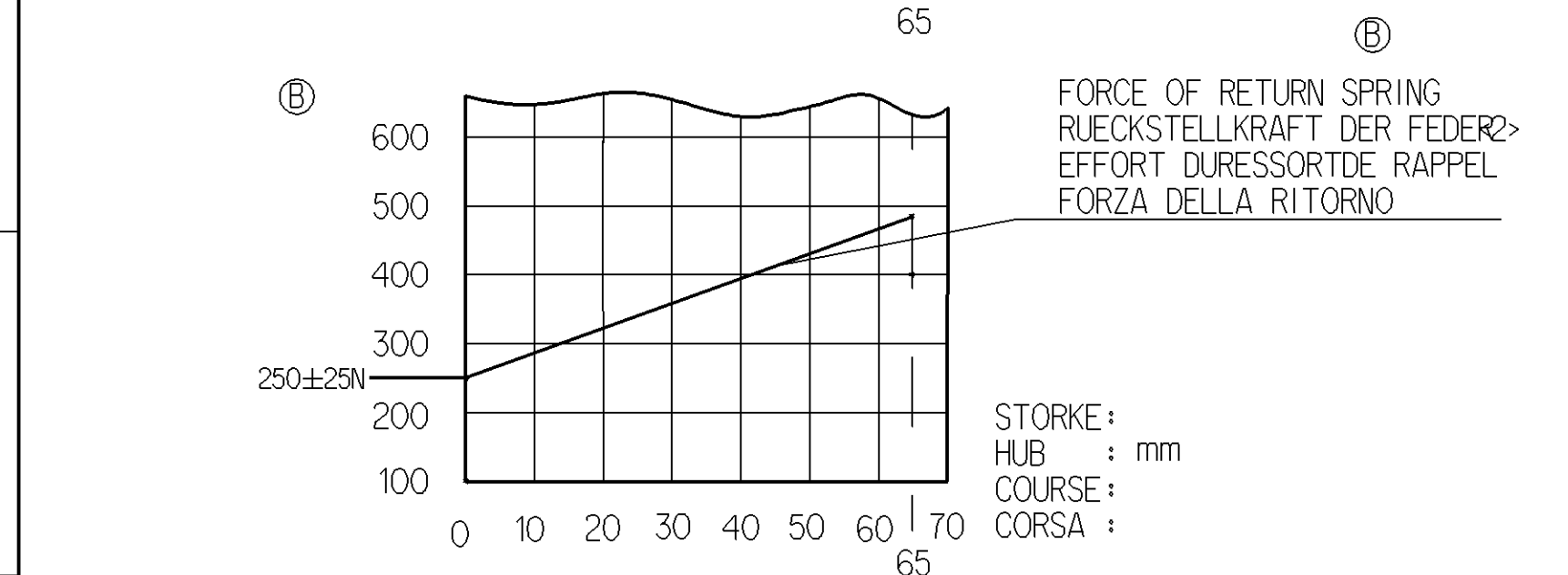
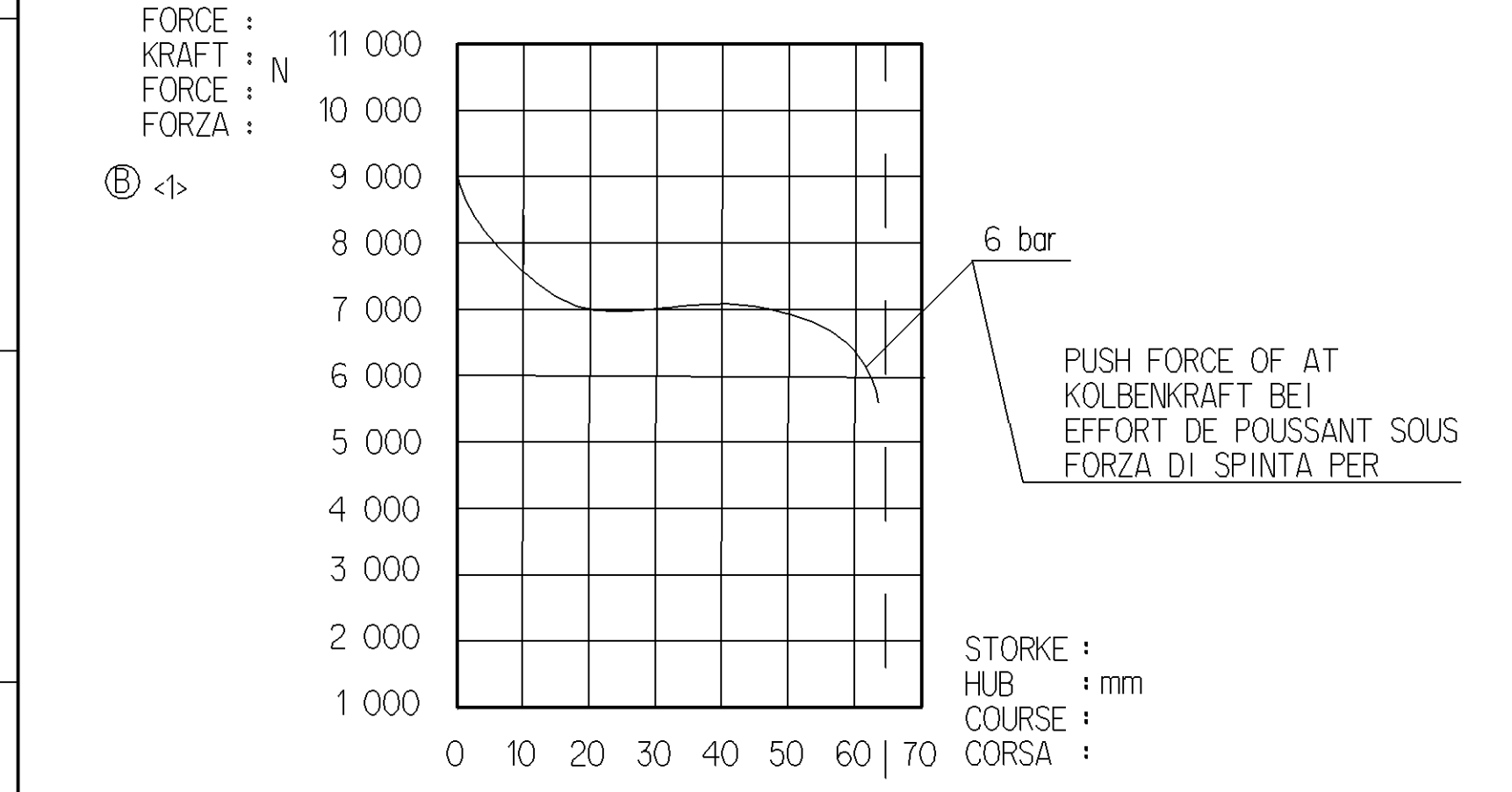


SURFACE PROTECT. OBERFL. SCHUTZ		MEDIUM : AIR MEDIUM : LUFT FLUIDE : AIR FLUIDO : ARIA	WIDTH ACROSS FLATS SW SCHLUESSELWEITE SURPLATS LAGHEZZA IN CHIAVE	② THERMAL RANGE OF APPLICATION : THERMISCHER ANWENDUNGSBEREICH : -40°C...+80°C GAMME D'APPLICATION TERMIQUE : CAMPO TERMICO D'APPLICAZIONE :	② NOMINAL DIAMETER : NENNWEITE : DIAMÈTRE NOMINAL : DIAMETRO NOMINALE :	② OPEN BREATHER HOLE * OFFEN ATMUNGSBOHRUNG OUVERT TROU RENIFLEUR APERTO FORO RESPIRATORE	DEFLECTION : ** AUSLENKUNG : DEFLEXION : DEVIAZIONE :	AT STROKE BEI HUB A COURSE A CORSA
I	JED-240-4				MINØ8.5		max. 6°	0 mm
II	JED-256-1							
III	JED-371							
IV	RUBBER /PLASTIC							
V	JED-240-2							

SERVICE BRAKING SYSTEM, WORKING PRESSURE :
BETRIEBSBREMSANLAGE, BETRIEBSDRUCK : Pe max. = 10.2 bar (TEMPORARILY : (KURZZEITIG : Pe max. = 13 bar)
DISPOSITIF DE FREINAGE DE SERVICE, PRESSION D'UTILISATION : (DE COURTE DUREE :
DISPOSITIVO DI FRENATURA DI SERVIZIO, PRESSIONE DI ESERCIZIO : (BREVE TEMPO SOLO :



- DP-07-05/GROUP
- 8 <1> SAFETY CHARACTERISTIC
SICHERHEITSMERKMAL
CARACTERISTIQUE DE SECURITE
CARATTERISTICA DI SICUREZZA
 - 9 <2> SIGNIFICANT CHARACTERISTIC
WESENTLICHES MERKMAL
CARACTERISTIQUE DE SECURITE
CARATTERISTICA DI SICUREZZA

423 105 004 0		20927144		WABCO	
VOLVO		CUSTOMER'S NO. KUNDEN-NR.		IDENTIFICATION	
No. CLIENT		No. CLIENTE			
No. CLIENTE					
General Specifications JED-334-0		Copyright WABCO®		WABCO	
Further Technical Data		Date		Doc. Code	
Sheet		Drawn		Language	
To		Checked		Sheet	
Range of Nominal Dimensions (± mm)		2012-08-14		2007-07-17	
Class 1) ≤ 50		Czeryba		Date of first issue	
> 50 < 180		Szczuplak		Doc. Code	
≥ 180 < 400		Expert		Language	
> 400		Szczuplak		Sheet	
Fine		Szczuplak		005	
Medium		Szczuplak		ML	
Coarse		Szczuplak		1/1	
Tapped Holes acc. JED-464-0		Material No.		423 105 004 0	
1) Tolerance Class Applied Crossmarked		Revision		5340	
		Tech. Resp.		5340	
		Pro/E		5340	
		159190		32x B	
		32x B		5340	