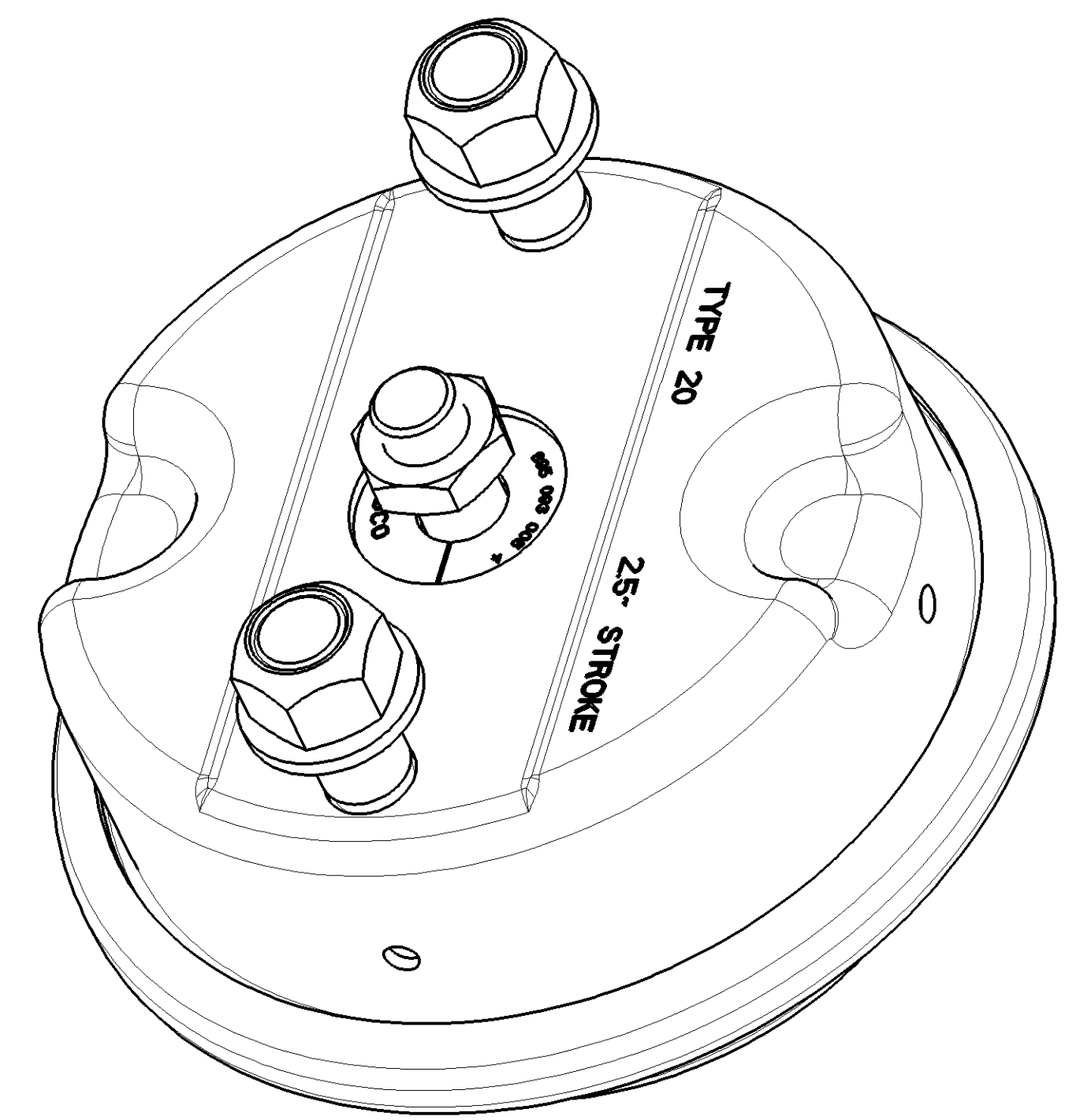
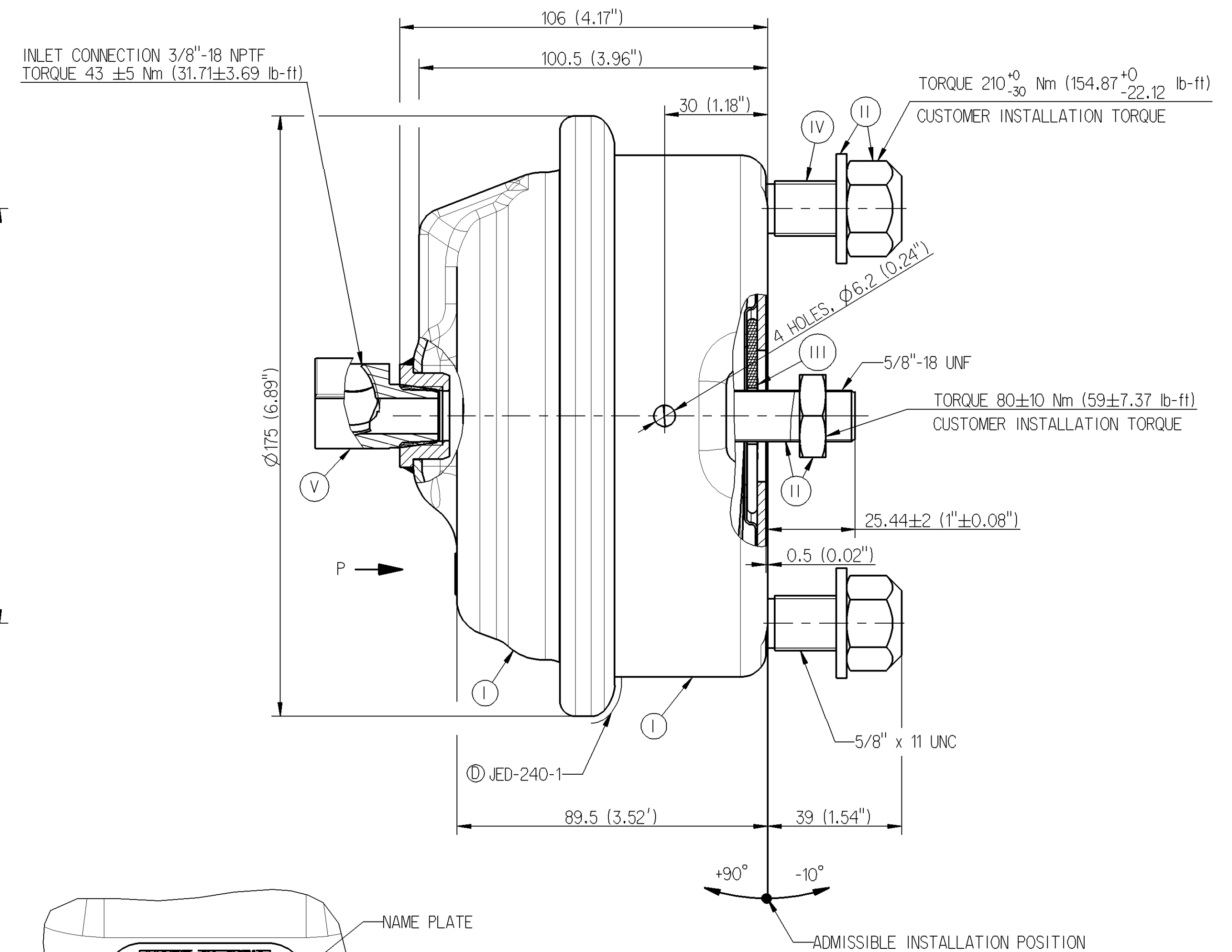
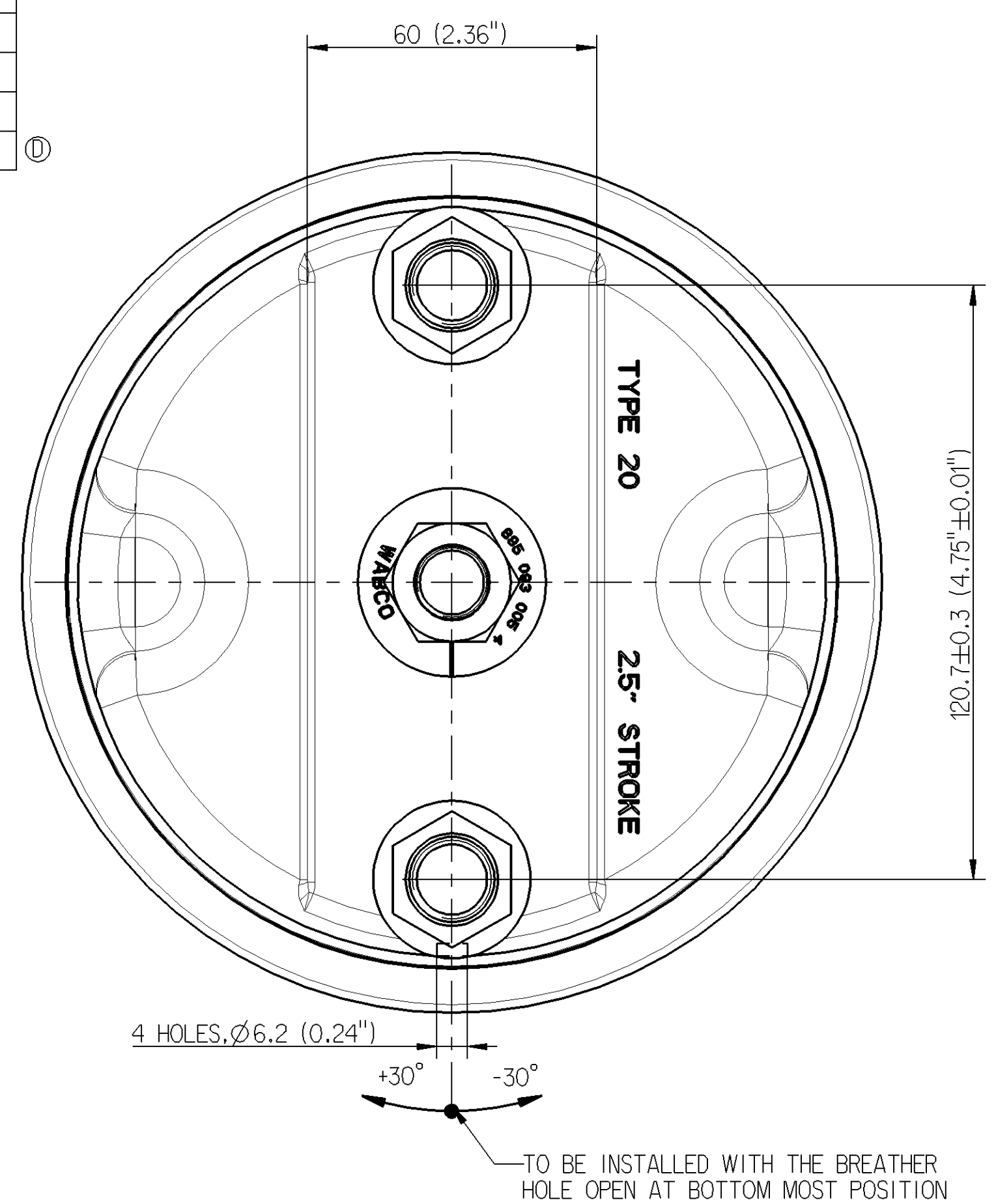
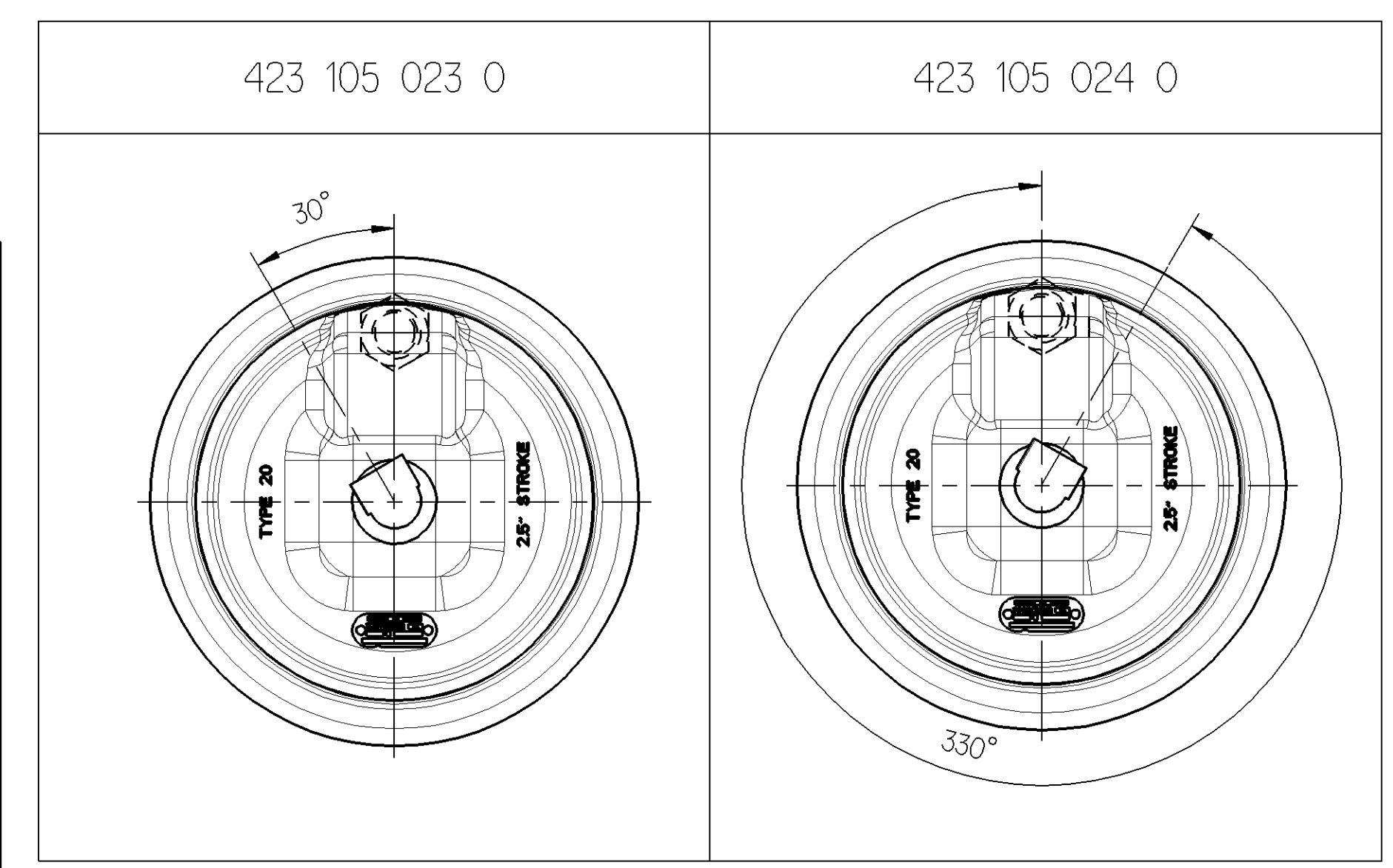
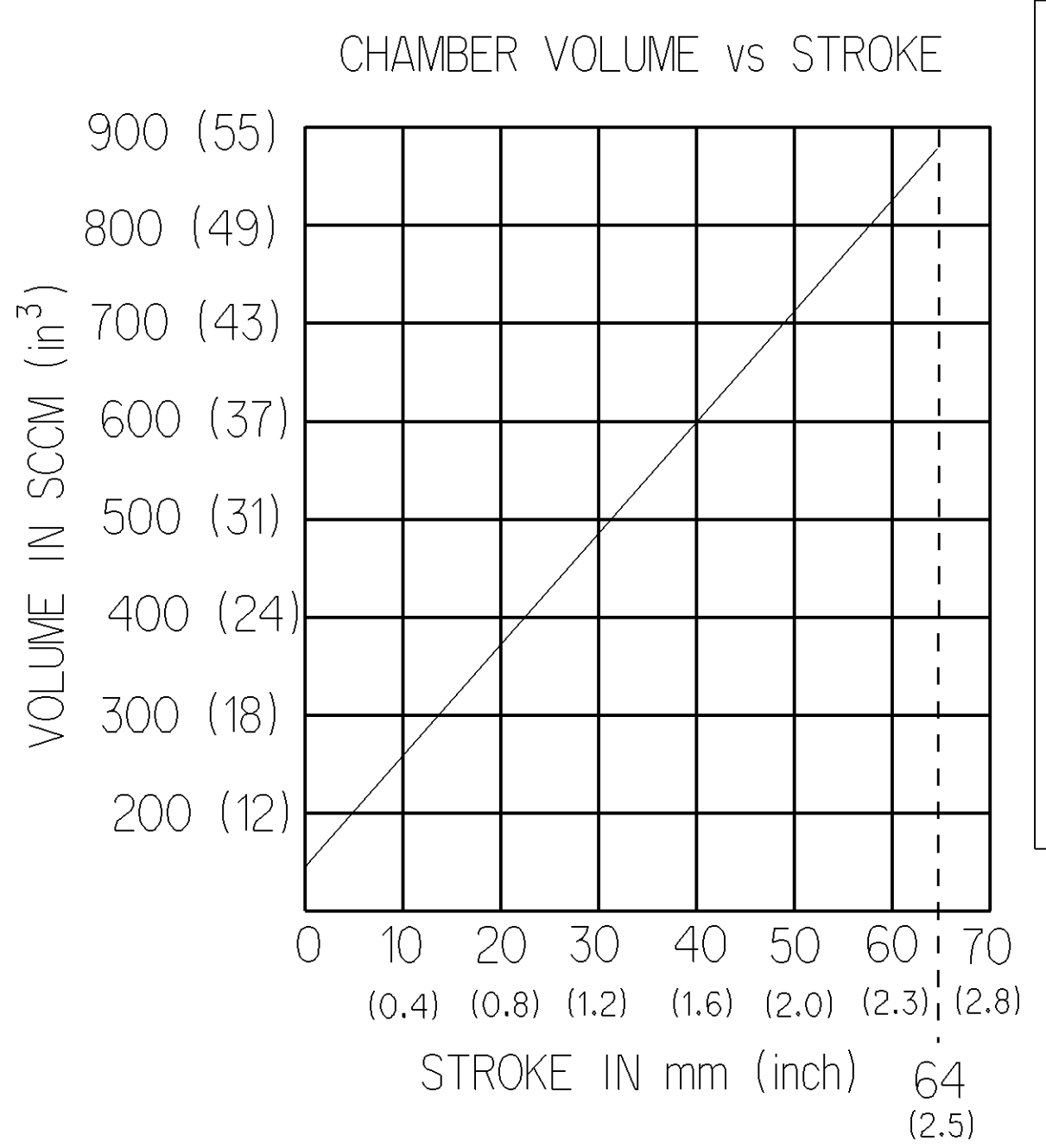
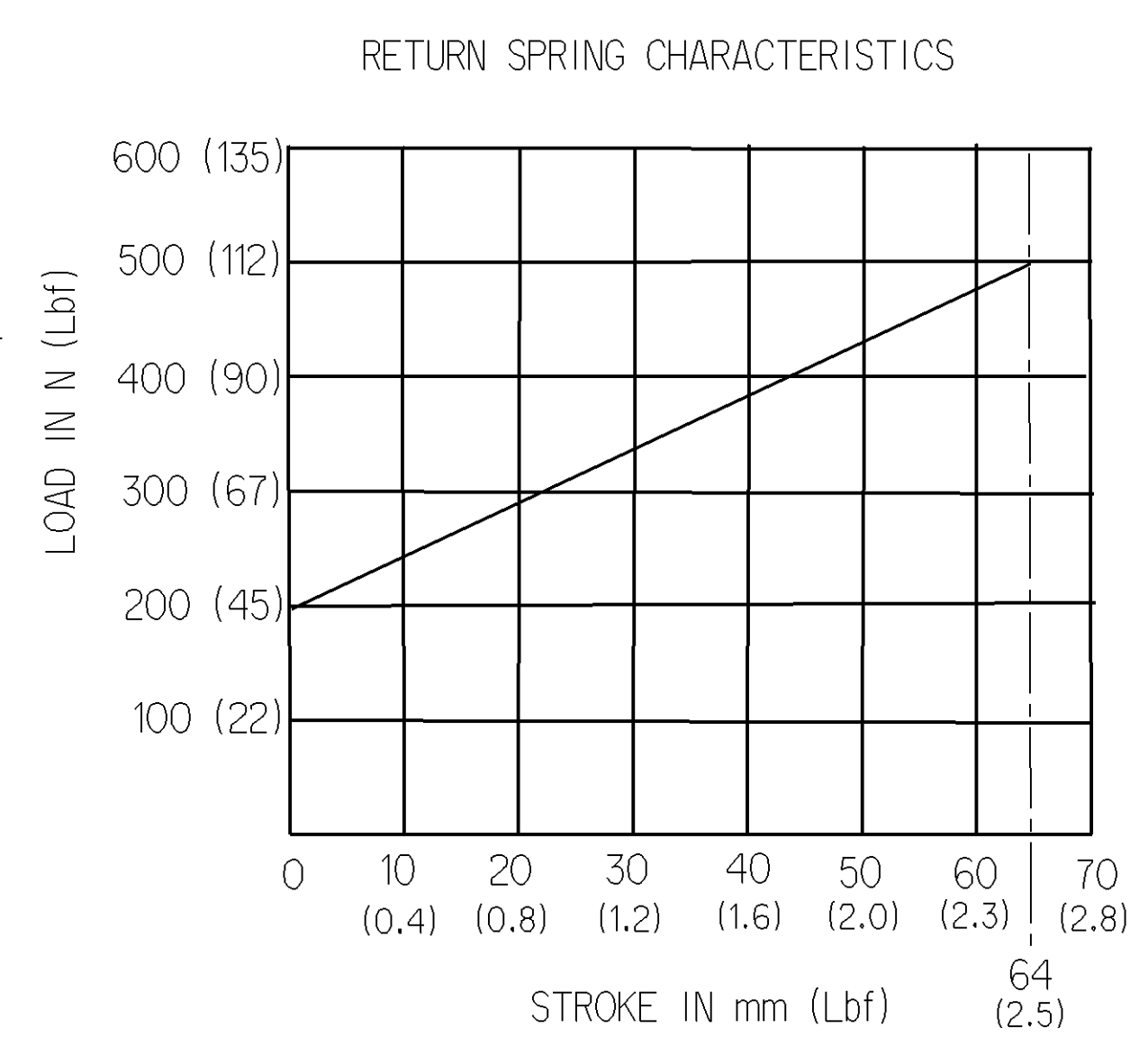
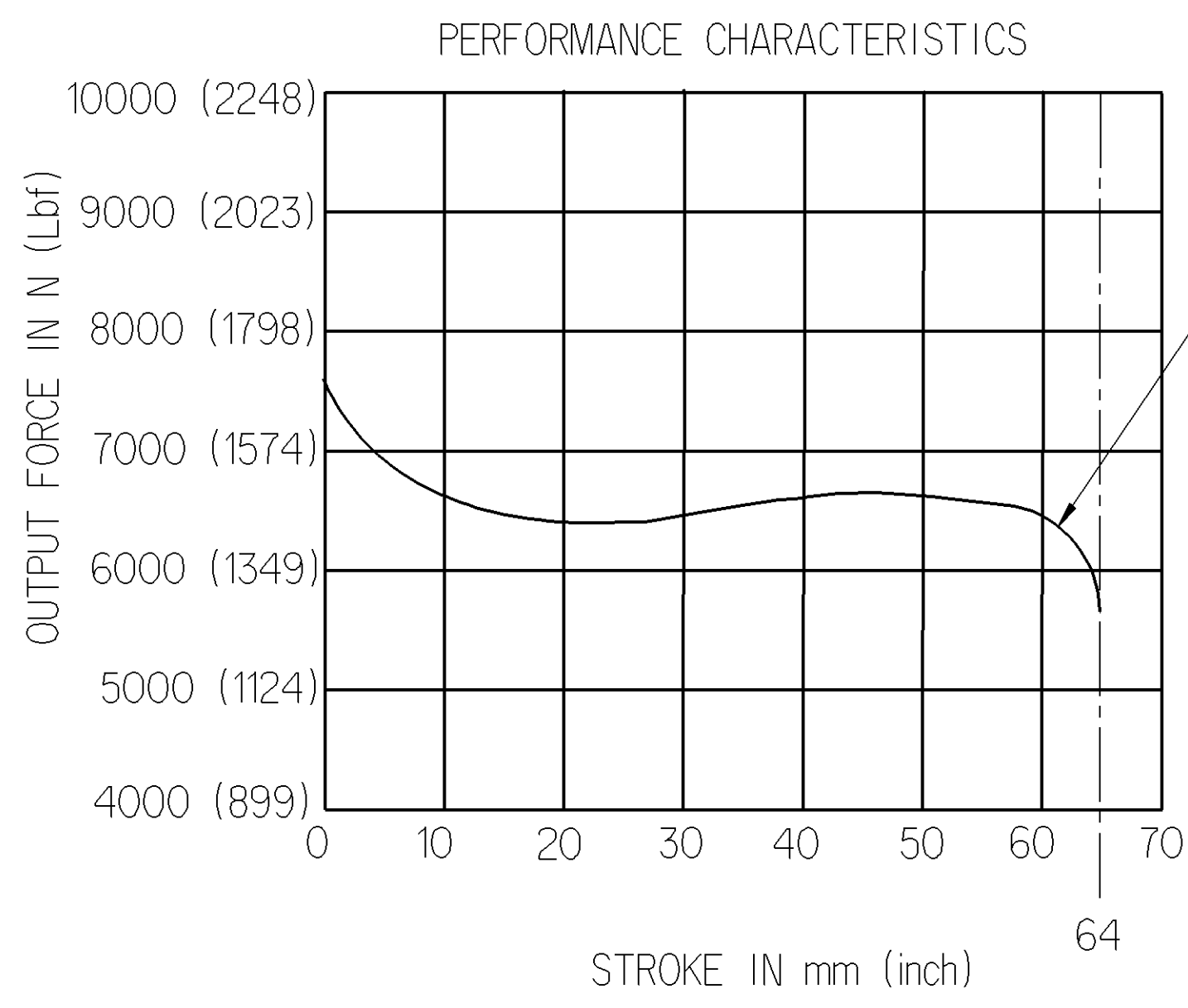
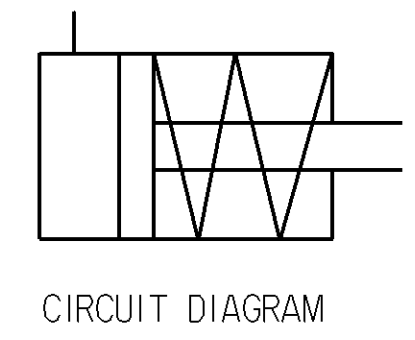
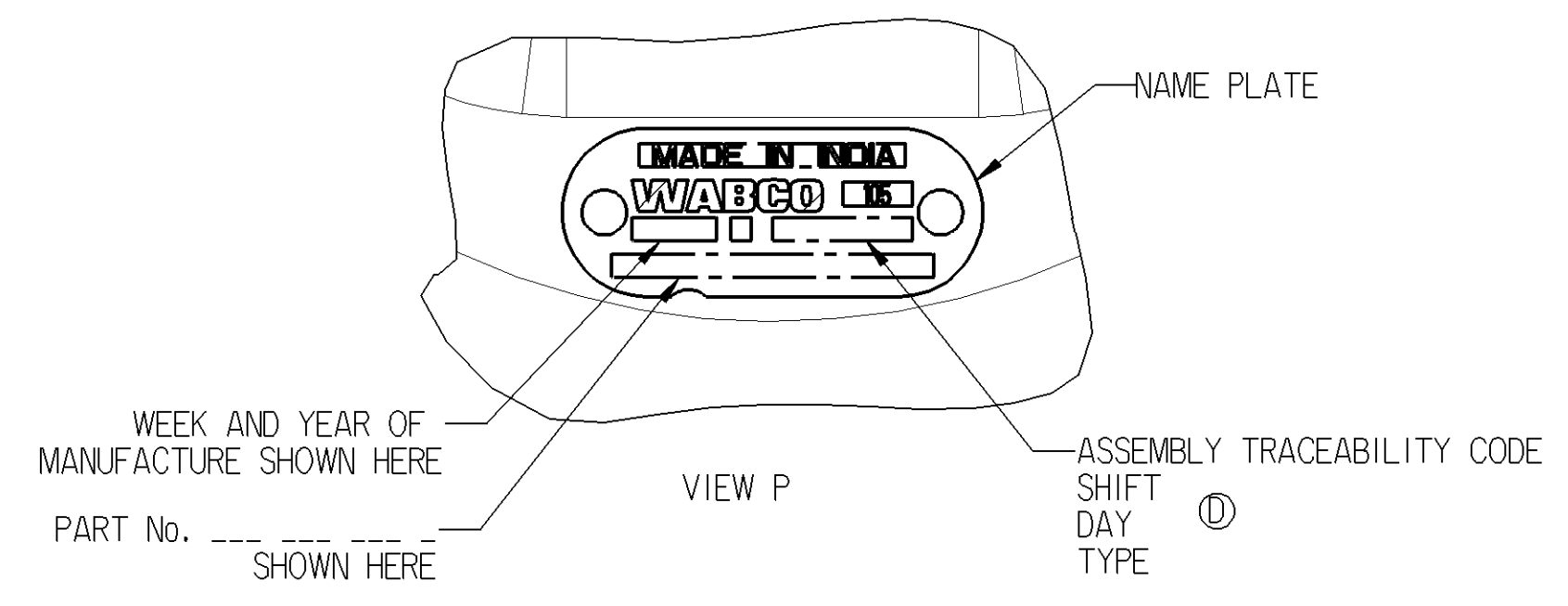


SURFACE PROTECTION	
I	JED-240-3
II	JED-256-5
III	JED-364
IV	JED-371-0
V	BRASS
VI	JED-240-1



SL.No.	NOTES
1.1	WORKING MEDIUM AIR
1.2	WORKING PRESSURE 8 bar (116 PSI)
1.3	MAXIMUM PRESSURE (TEMPORARILY) 10 bar (145 PSI)
1.4	STROKE 64 mm MINIMUM (2.5" MINIMUM)
1.5	PRESSURE AT WHICH PUSH ROD STARTS MOVING (LIFT OFF PRESSURE-0 mm STROKE) < 0.35 bar (5.1 PSI)
1.6	PRESSURE AT WHICH PUSH ROD IS FULLY OUT (LIFT OFF PRESSURE-76 mm STROKE) < 0.5 bar (7.25 PSI)
1.7	THERMAL RANGE OF APPLICATION - 40°C TO +80°C (-40°F TO 176°F)
1.8	OPEN PORT TO BE FITTED WITH CLOSURE PLUG FOR STORAGE AND TRANSIT PURPOSE



GRAPHS FOR INFORMATION ONLY

General Specifications: JED-334-0		Copyright WABCO®		Date		Signature	
Further Technical Data: 423 105 011 0		Doc. Code: 035		Sheets: 1 To 4		2013-03-26	
General Tolerances: JED-261		Range of Nominal Dimensions (± mm)		Class 1)		±3°	
Class 1)		≤ 50		> 50 > 180		> 180 > 400	
Fine		0.5		1.0		1.5	
Medium		1.0		2.0		3.0	
Coarse		2.0		3.5		5.0	
Tapped Holes acc. JED-686		1)		Tolerance Class Applied Crossmarked			
Mass		Scale		Material No.		Date of first issue: 2011-04-19	
3.0 kg		1:1		423 105 023 0		Doc.Code Language Sheet	
Size		CAD System		Revision		Tech. Resp.	
A 1		Pro/E		160851 3 0		5340	
				Replacement for			

Toute communication de reproduction de ce document, toute exploitation ou communication de son contenu sans autorisation, sauf autorisation écrite de WABCO, est formellement interdite. Toute utilisation non autorisée de ce document est formellement interdite. Toute violation de ces conditions sera poursuivie devant les tribunaux. WABCO n'assume aucune responsabilité en cas de dommages matériels ou corporels causés par l'utilisation de ce document.