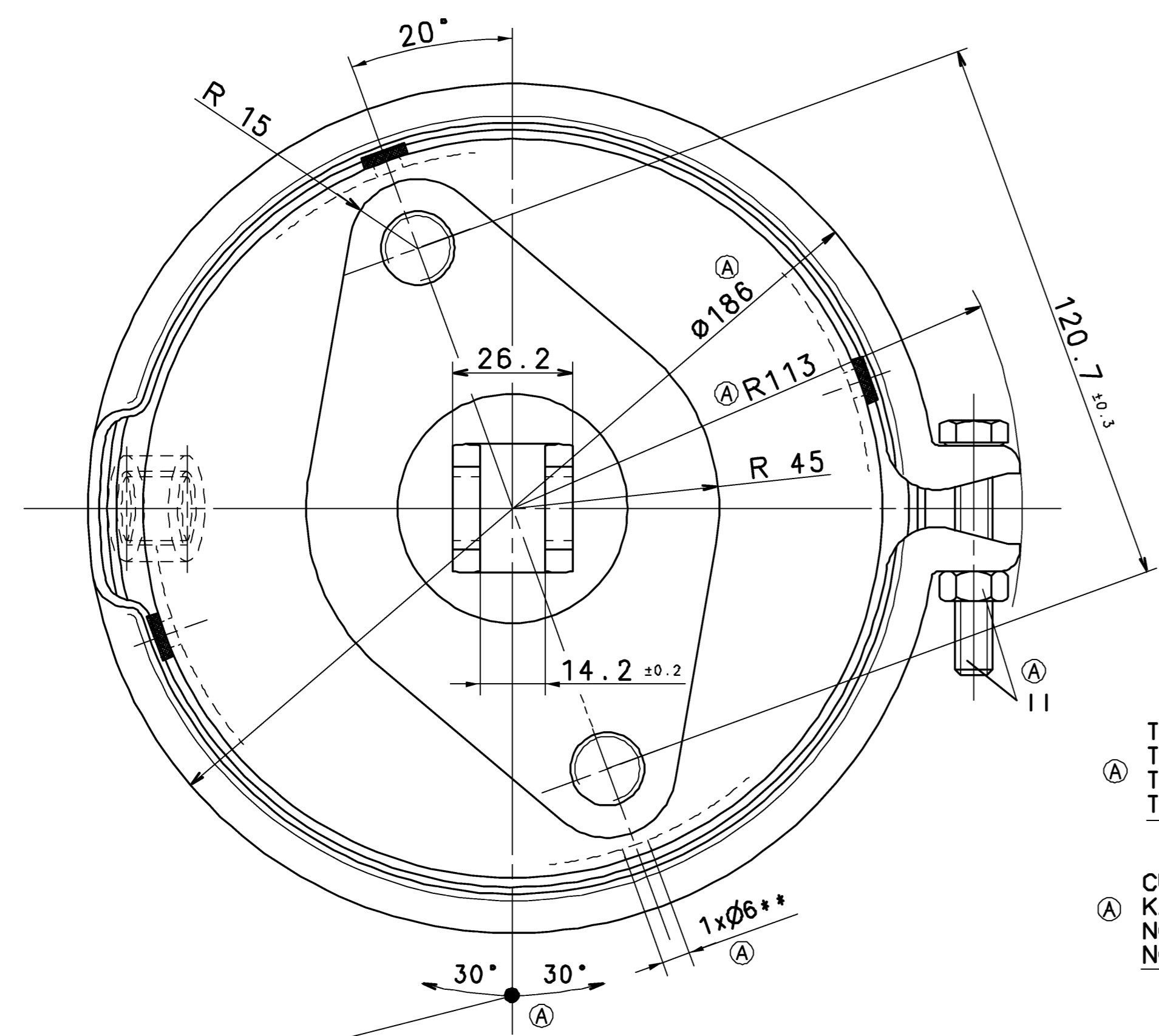
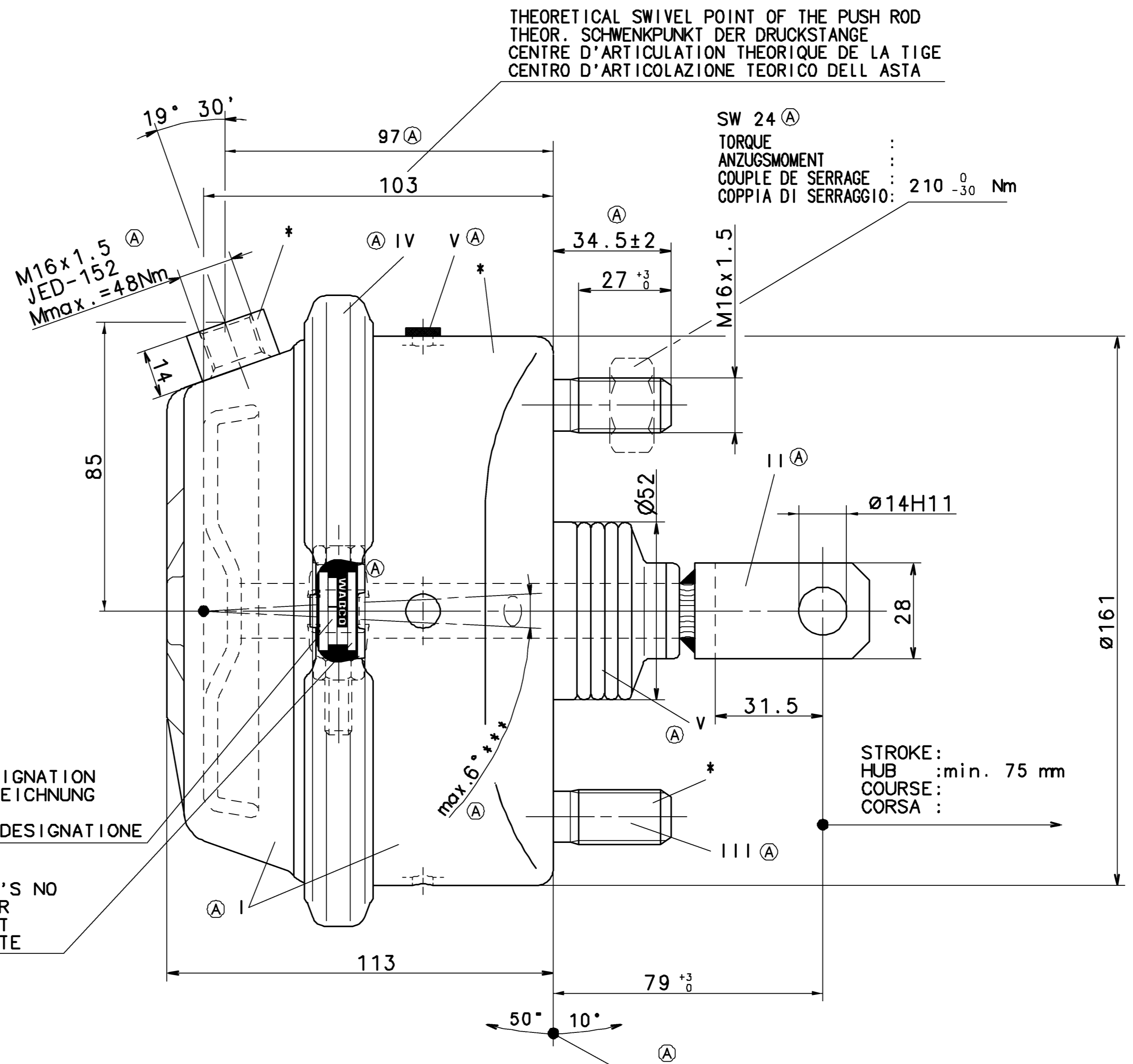
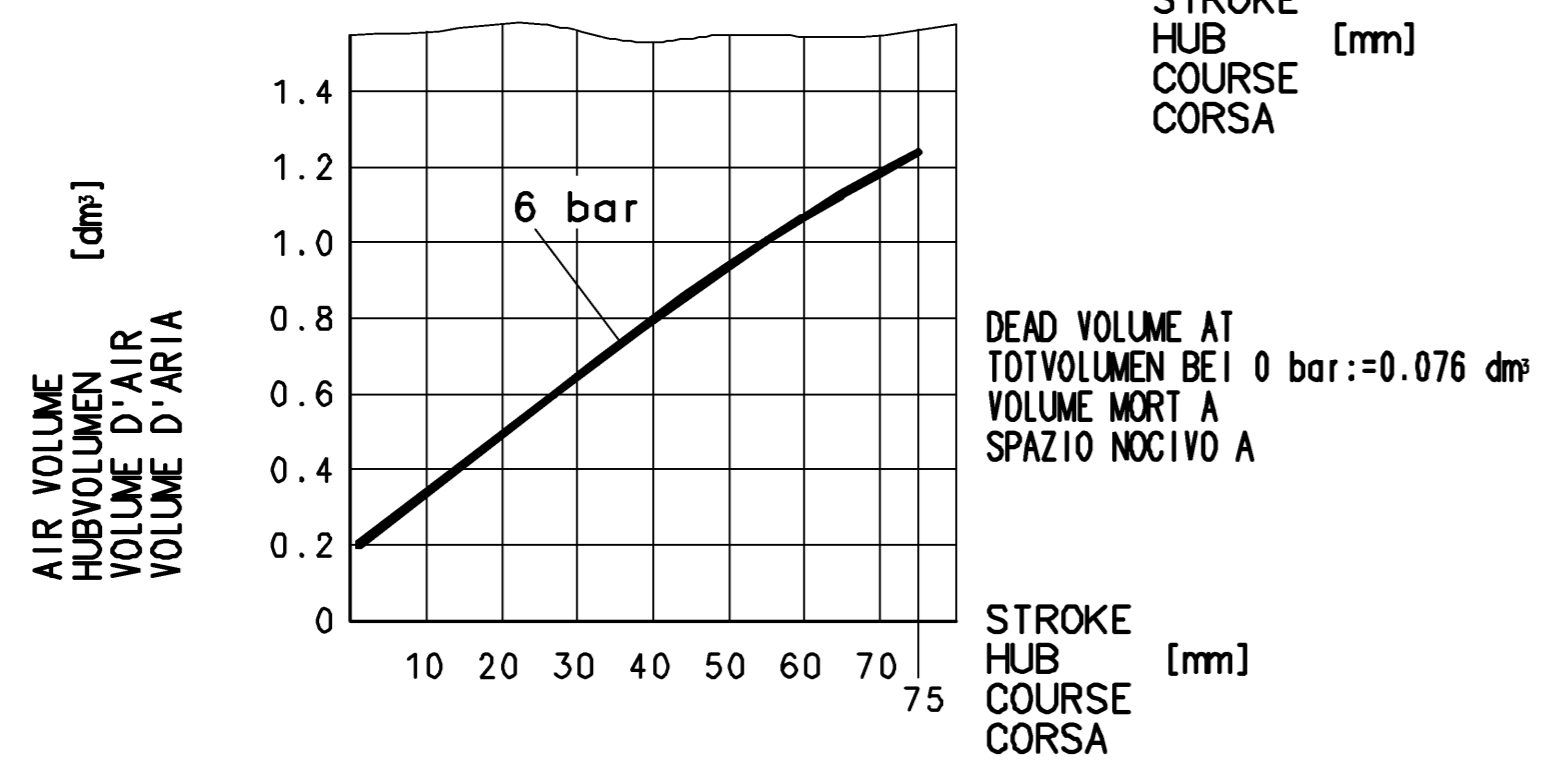
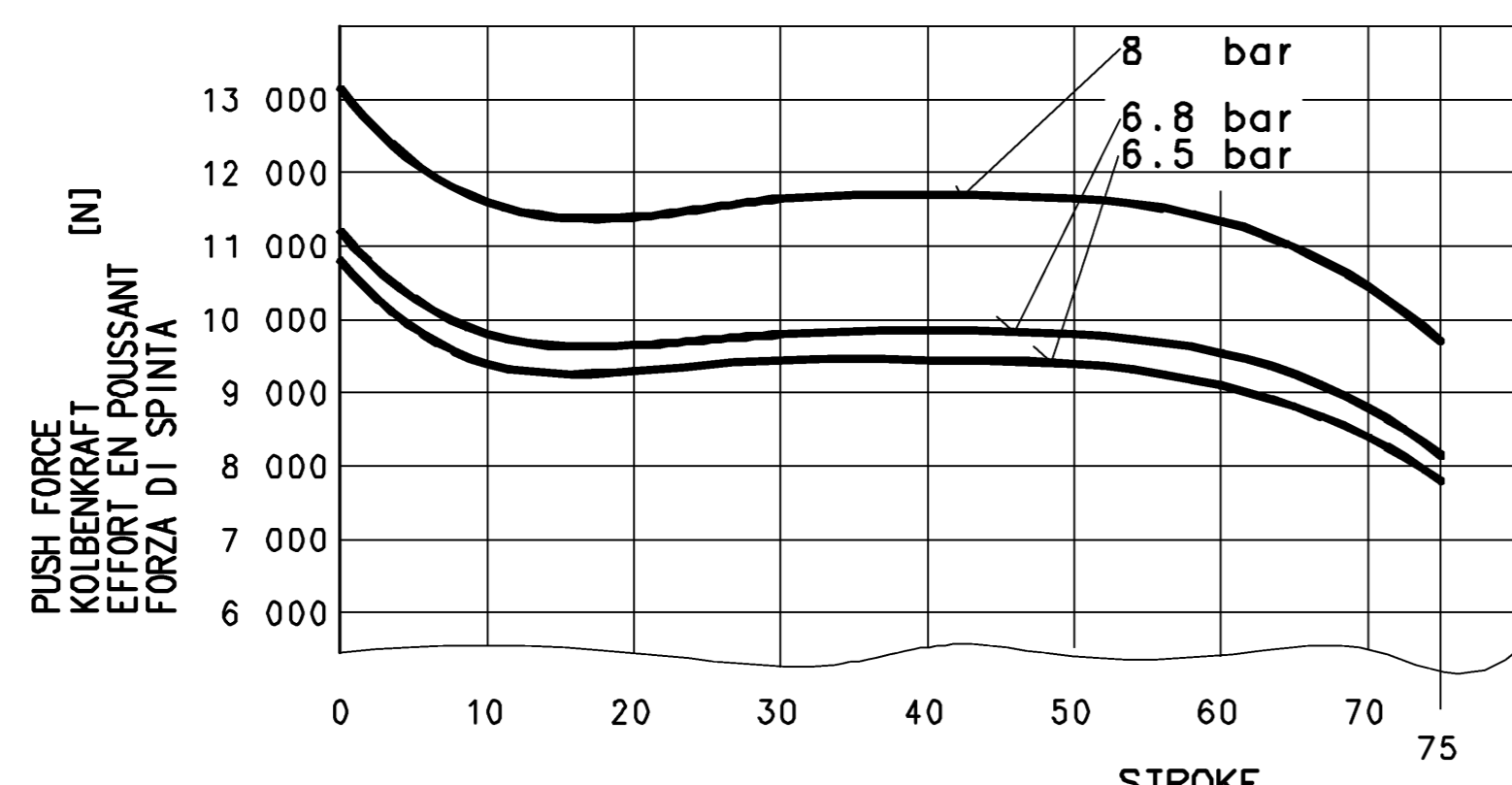


SURFACE PROTECT. / OBERFL. SCHUTZ	
I	JED-240-3
II	JED-256-1
III	JED-371
IV	JED-240-2
V	RUBBER / PLASTIC

14H11 <sup>+0.110</sup>/<sub>0</sub>



TO BE INSTALLED WITH LOWER BREATHER HOLE OPEN  
 IM EINBAUZUSTAND UNTERE ATMUNGSBOHRUNG OFFEN  
 A MONTER AVEC LE RENIFLARD INFÉRIEUR OUVERT  
 INSTALLAZIONE : CON IL FORO DI SFIATO INFERIORE APERTO



TYPE DESIGNATION  
TYPENBEZEICHNUNG  
TYPE  
TIPO DI DESIGNAZIONE

CUSTOMER'S NO  
KANDEN-NR  
NO. CLIENT  
NO. CLIENTE

ADMISSIBLE INSTALLATION POSITION  
ZULÄSSIGE EINBAULAGE  
POSITION D'INSTALLATION ADMISE  
POSIZIONE DI MONTAGGIO AMMESSA

\*) OUT OF PLANE  
VERSETZT GEZEICHNET  
AU DEHORS DU PLAN DE PROJECTION  
AL DI FUORI DEL PIANO DI PROIEZIONE

\*\*) OPEN BREATHER HOLE  
OFFEN ATMUNGSBOHRUNG  
OUVERT TROU RENIFLEUR  
APERTO FORO RESPIRATORE

\*\*) DEFLECTION:  
AUSLENKUNG: max. 6° BEI HUB 0 mm  
DEFLEXION: A COURSE  
DEVIAZIONE: A CORSA

FORCE OF RETURN SPRING  
RUECKSTELTKRAFT DER FEDER  
EFFORT DU RESSORT DE RAPPEL  
FORZA DELLA MOLLA RITORNO : 200 ±20 N

THERMAL RANGE OF APPLICATION  
THERMISCHER ANWENDUNGSBEREICH : -40 °C..+80 °C  
GAMME D'APPLICATION THERMIQUE  
CAMPO DI APPLICAZIONE TERMICA

MEDIUM : AIR  
MEDIUM : LUFT  
FLUIDE : AIR  
FLUIDO : ARIA

SERVICE PRESSURE : Pe max. = 10,2 bar  
BETRIEBSDRUCK : Pe max. = 10,2 bar  
PRESSION DE SERVICE : Pe max. = 10,2 bar  
PRESSIONE DI ESERCIZIO : Pe max. = 10,2 bar  
(TEMPORARILY : Pe max. = 13 bar)  
(KURZZEITIG : Pe max. = 13 bar)  
(DE COURTE DUREE : Pe max. = 13 bar)  
(BREVE TEMPO SOLO : Pe max. = 13 bar)

General Specification: JED-334-0		Copyright WABCO		WABCO	
Further Technical Data:		Belt		Signature	
Doc. Code: Sheet: To		08-06-051		Wysacki	
General Tolerances IED-281		08-06-051		Szuberski	
Range of Nominal Dimensions (± mm)		Stelaniak		Stelaniak	
Class 11		Stelaniak		Stelaniak	
Fine		Stelaniak		Stelaniak	
Medium		Stelaniak		Stelaniak	
Coarse		Stelaniak		Stelaniak	
Tapped Holes acc. JED-152		Stelaniak		Stelaniak	
11 Tolerance Class Applied Crossmarked		Stelaniak		Stelaniak	
A 1		CCD		117470	
EOM-No		Revision		Tech. Resp.	
117470		25xA		5340	
100mm		100mm		100mm	

BRAKE CHAMBER  
MEMBRANZYLINDER  
VASE A DIAPHRAGME  
BRAKE CHAMBER 24

423 106 071 0  
005 ML 1/1