

SURFACE PROTECT ./OBERFL. SCHUTZ (C)	
I	JED-240-3
II	JED-256-1
III	RUBBER/PLASTIC
IV	JED-371
V	JED-240-2

MEDIUM : AIR
 MEDIUM : LUFT
 FLUIDE : AIR
 FLUIDO : ARIA

SERVICE PRESSURE :
 BETRIEBSDRUCK : Pe max. = 10 bar
 PRESSION DE SERVICE :
 PRESSIONE DI ESERCIZIO :

* OPEN BREATHER HOLE
 OFFEN ATMUNGSBOHRUNG
 OUVERT TROU REINFEUR
 APERTO FORO RESPIRATORE

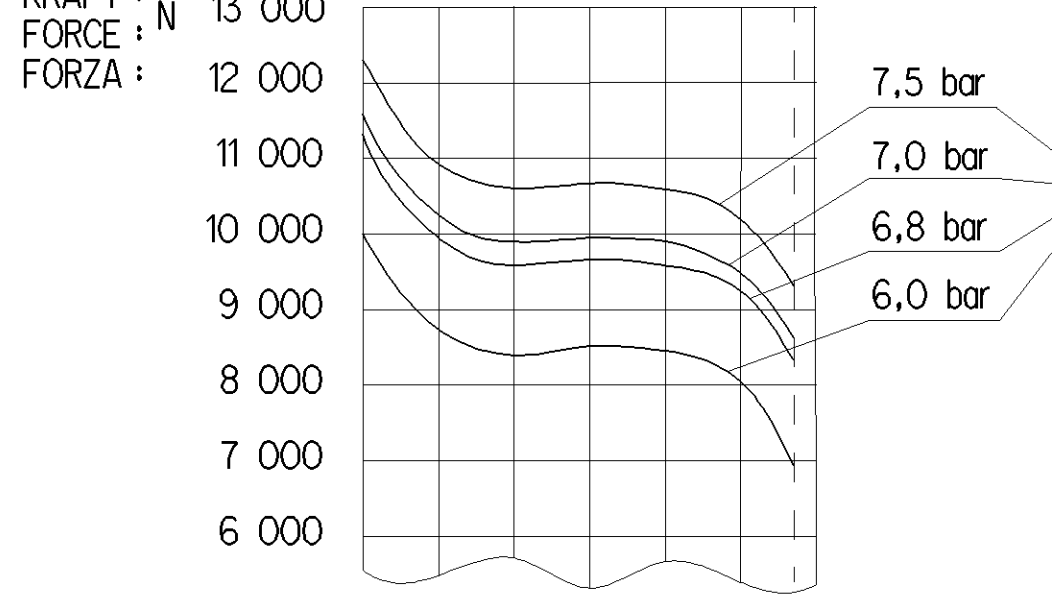
(TEMPORARILY)
 (KURZZEITIG) : Pe max. = 13 bar
 (DE COURTE DUREE)
 (BREVE TEMPO SOLO) :

** DEFLECTION :
 AUSLENKUNG : max. 6° AT STROKE
 BEI HUB 0 mm
 DEFLEXION : A COURSE
 DEVIAZIONE : A CORSA

(C) WIDTH ACROSS FLATS
 SCHLUESSELWEITE
 SURPLATS
 LARGHEZZA IN CHIAVE

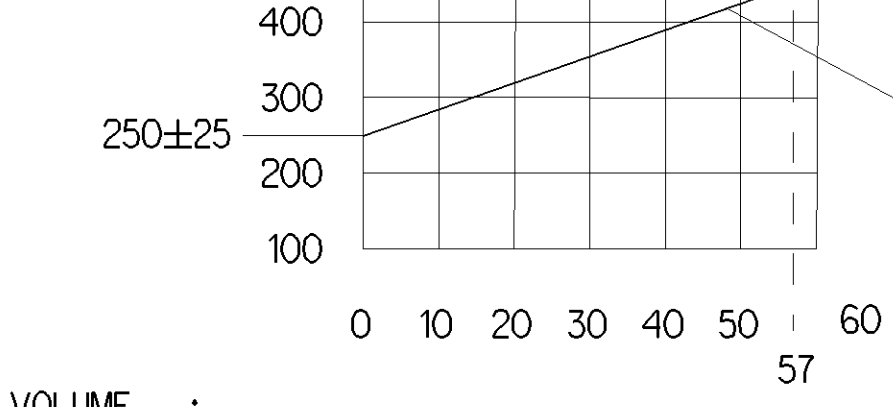
THERMAL RANGE OF APPLICATION :
 THERMISCHER ANWENDUNGSBEREICH : -40°C...+80°C
 GAMME D'APPLICATION THERMIQUE :
 CAMPO DI APPLICAZIONE TERMICA :

FORCE :
 KRAFT : N
 FORCE : N
 FORZA : N



OUTPUT FORCE OF AT
 KRAFTABGABE BEI
 EFFORT DE POUSSEE SOUS
 FORZA DI SPINTA PER

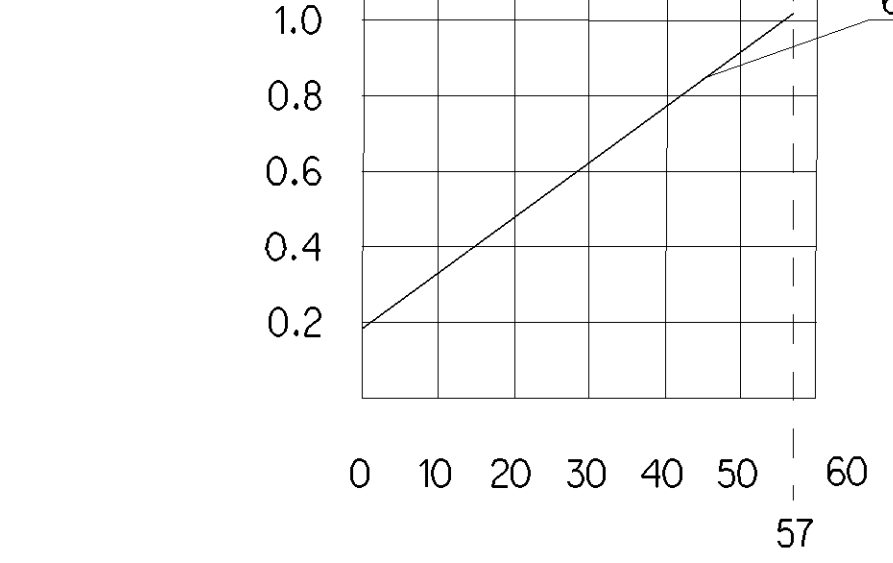
FORCE OF RETURN SPRING
 RUECKSTELTKRAFT DER FEDER
 EFFORT DU RESSORT DE RAPPEL
 FORZA DELLA MOLLA DI RITORNO



FORCE OF RETURN SPRING
 RUECKSTELTKRAFT DER FEDER
 EFFORT DU RESSORT DE RAPPEL
 FORZA DELLA MOLLA DI RITORNO

STROKE :
 HUB : mm
 COURSE : mm
 CORSA :

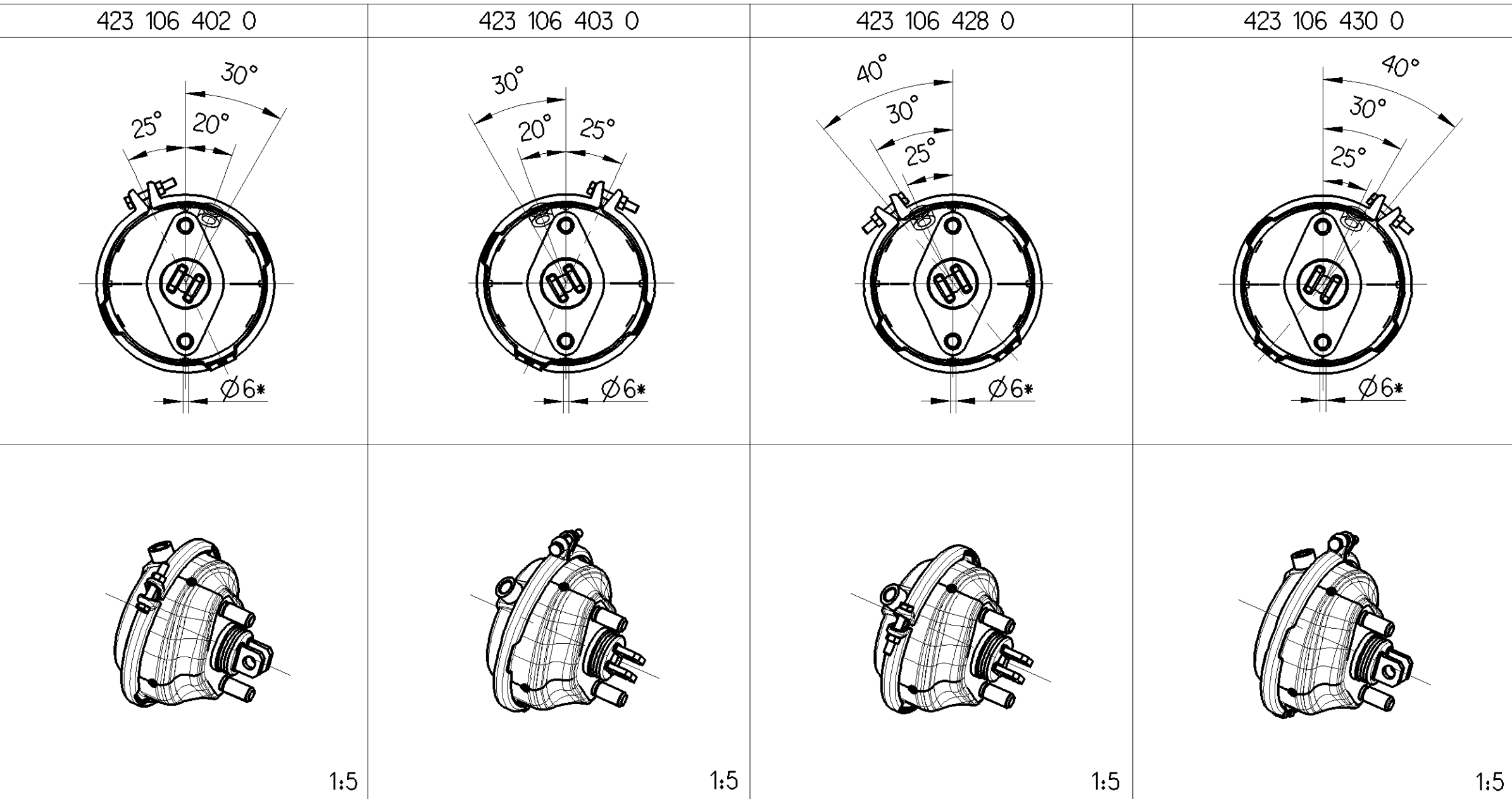
AIR VOLUME :
 HUBVOLUMEN : dm³
 VOLUME D'AIR :
 VOLUME D'ARIA :



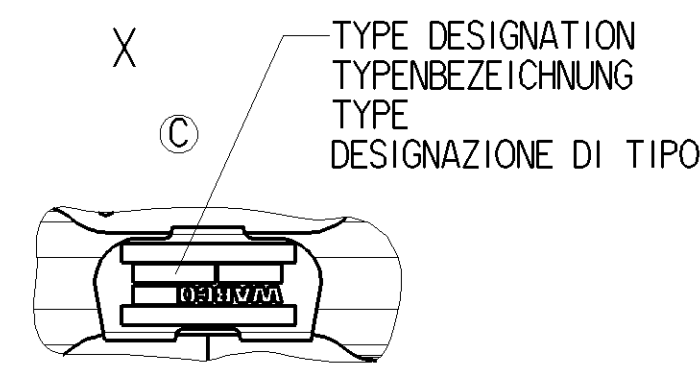
DEAD VOLUME AT
 TOTVOLUMEN BEI
 VOLUME MORT A
 SPAZIO NOCIVO A 0 bar = 0.07 dm³

STROKE :
 HUB : mm
 COURSE : mm
 CORSA :

VARINAT
 ABWANDLUNG
 VARIANTE
 VARIANTE

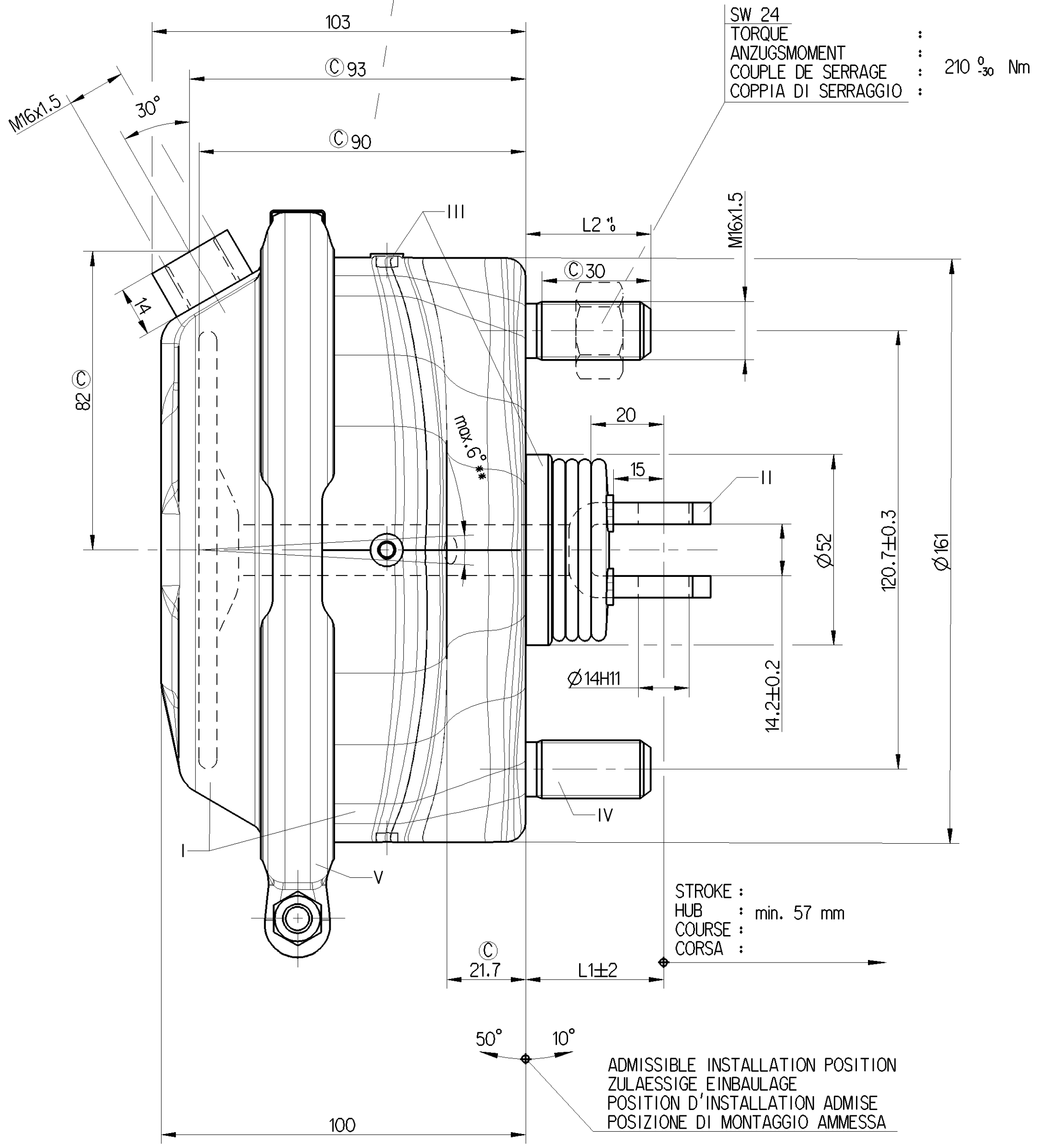


TO BE INSTALLED WITH LOWER BREATHER HOLE OPEN
 IM EINBAUZUSTAND UNTERE ATMUNGSBOHRUNG GEOEFFNET
 A MONTER AVEC LE RENIFLARD INFERIEUR OUVERT
 INSTALLAZIONE: CON IL FORO DI SFIATO INFERIORE APERTO



X TYPE DESIGNATION
 TYPENBEZEICHNUNG
 TYPE
 DESIGNAZIONE DI TIPO

THEORETICAL SWIVEL POINT OF THE PUSH ROD
 THEOR. SCHWENKPUKKT DER DRUCKSTANGE
 CENTRE D'ARTICULATION THEORIQUE DE LA TIGE
 CENTRO D'ARTICOLAZIONE TEORICO DELL'ASTA



SW 24
 TORQUE :
 ANZUGSMOMENT : 210 ±30 Nm
 COUPLE DE SERRAGE :
 COPPIA DI SERRAGGIO :

STROKE :
 HUB : min. 57 mm
 COURSE :
 CORSA :

ADMISSIBLE INSTALLATION POSITION
 ZULAESSIGE EINBAULAGE
 POSITION D'INSTALLATION ADMISE
 POSIZIONE DI MONTAGGIO AMMESSA

MAIN VIEWS REFER TO DIMENSIONS ONLY
 HAUPTANSICHTEN BEZIEHEN SICH NUR AUF DIE ABMESSUNGEN
 VUES PRINCIPALES CONCERNENT LES DIMENSIONS SEULEMENT
 VISITE PRINCIPALI RIGUARDANO DIMENSIONI SOLAMENTE

POSITION OF COMPONENTS SEE REPRESENTATION OF VARIANTS
 POSITION DER BAUTEILE SIEHE ABWANDLUNGSDARSTELLUNGEN
 POSITION DES COMOSANTS VOIR DESSIN DE LA VARINATE
 POSIZIONE DELLE COMPONENTI VERDERE DISEGNO DI VARIANTE

423 106 430 0	81.51101-6449 (C)	37	34
423 106 428 0		37	34
423 106 403 0		37	34
423 106 402 0		37	34
WABCO		MAN'S NO.	L1 L2
		CUSTOMER'S NO.	
		NO. CLIENT	
		NO. CLIENTE	
IDENTIFICATION		DIMENSIONS	

General Specifications: JED-334-1, Size ISO 14405 LP		Copyright WABCO®	
Further Technical Data:		Date	Signature
Doc. Code:		2015-01-08	Kinos
Sheet: To:		2015-01-08	Szczuplak
General Tolerances JED-261		Expert	
Range of Nominal Dimensions (± mm)		Biermalowski	
Class	1) ≤ 50	> 50	> 180
Fine	0.5	1.0	1.5
Medium	1.0	2.0	3.0
Coarse	2.0	3.5	5.0
Tapped Holes acc. ISO 4039 / JED-162		Material No. 423 106 439 0	
1) Tolerance Class Applied Crossmarked		Date of first issue: 1989-08-21	
A 1		Doc. Code Language Sheet	
CREO		005 ML 1/1	
ECh.No. 165427		Revision 13 x C	
Tech. Resp. 5340		Replacement for	

Non e permesso copiare o riprodurre questo documento, ne utilizzare il contenuto o riferirsi a terzi senza permesso scritto dalla WABCO. Toute reproduction ou utilisation de ce document, sans autorisation écrite de la WABCO, est formellement interdite. All rights reserved. No part of this document may be reproduced, stored in a retrieval system, or transmitted in any form or by any means, electronic, mechanical, photocopying, recording, or otherwise, without the prior written permission of WABCO.