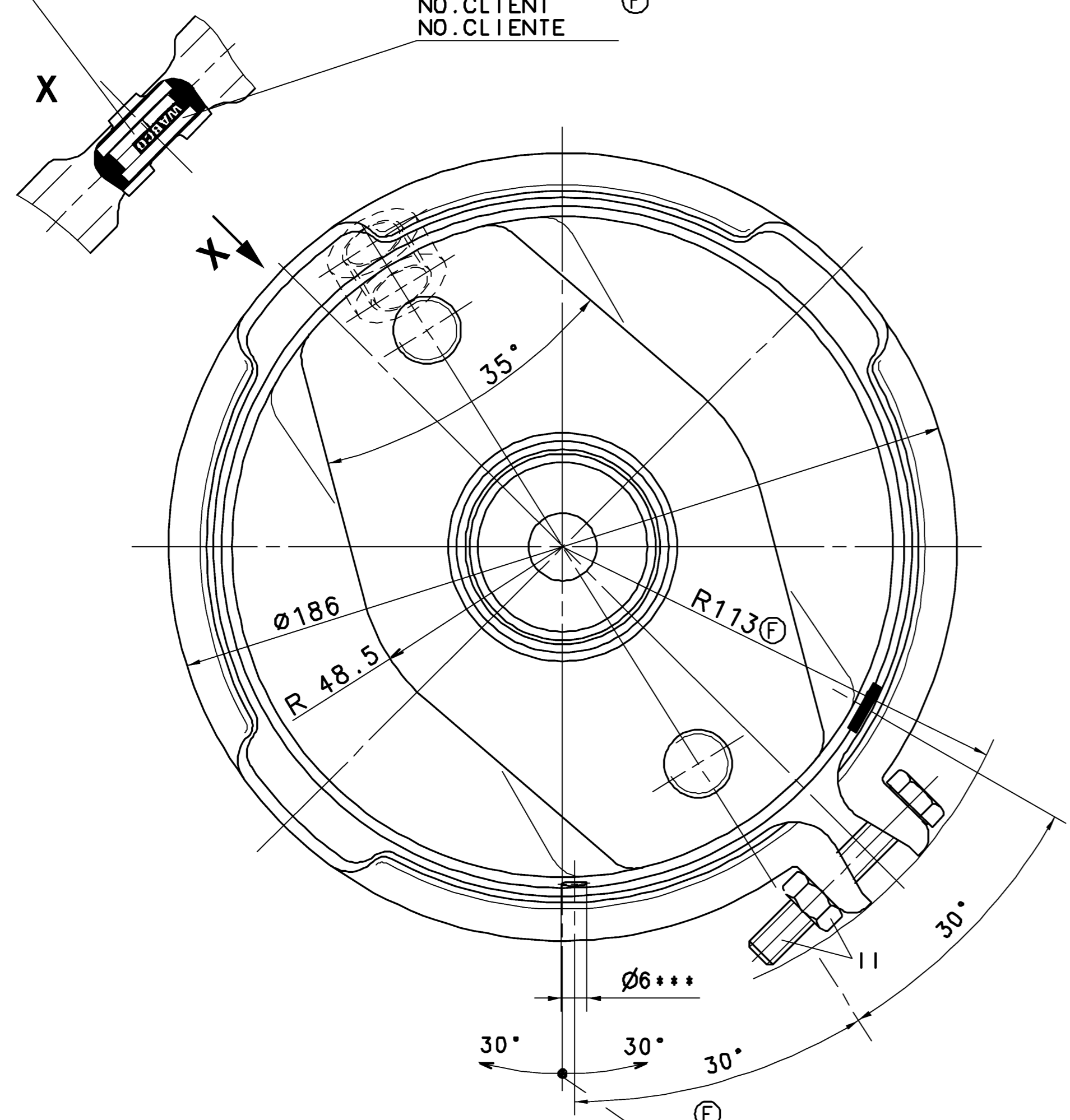


SURFACE PROTECT. / OBERFL. SCHUTZ	
I	JED-240-3
II	JED-256-1
III	RUBBER / PLASTIC
IV	JED-371
V	JED-240-2

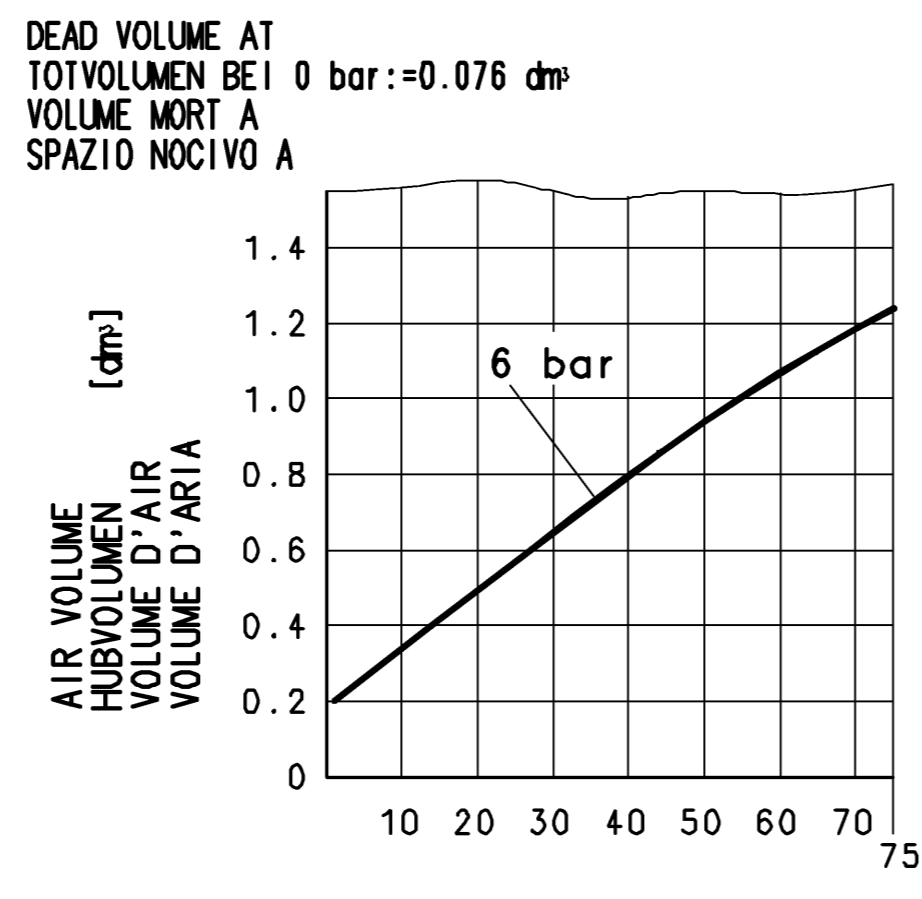
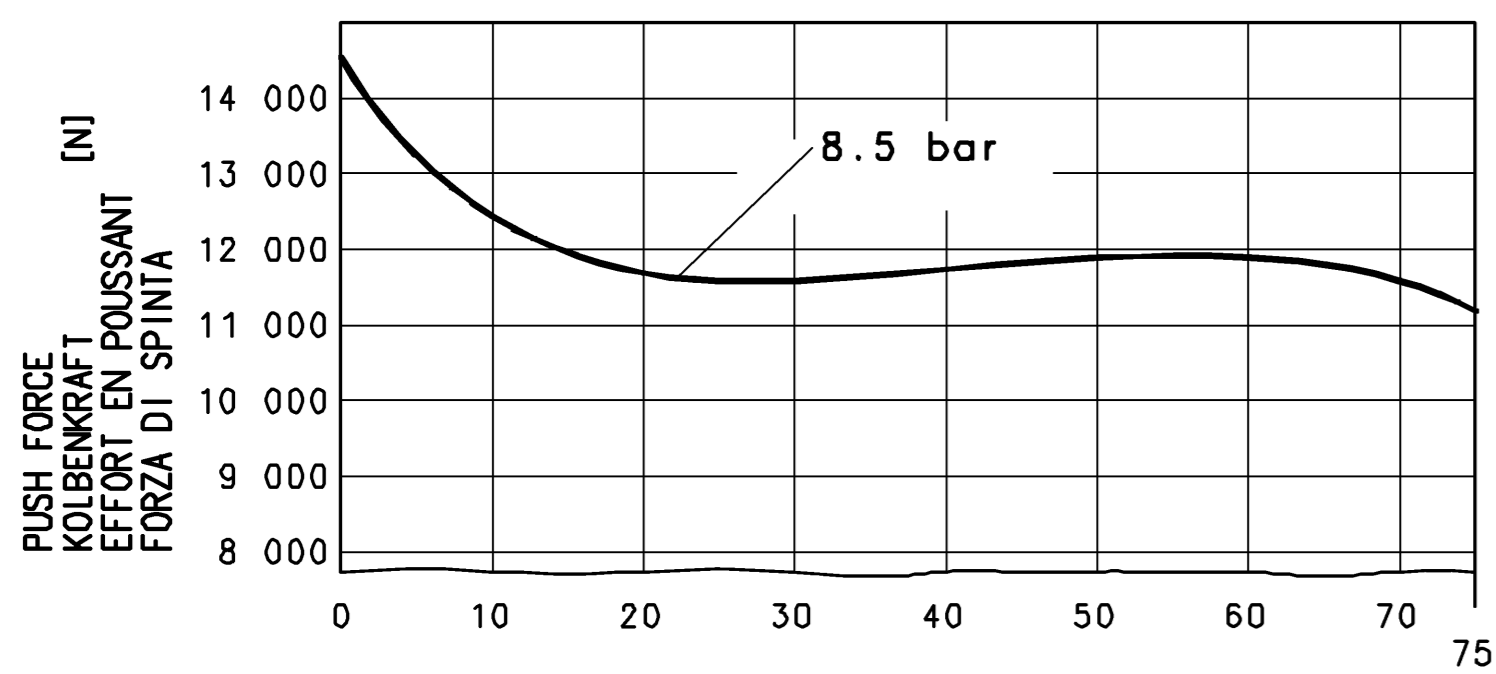
(F)

TYPE DESIGNATION
 TYPENBEZEICHNUNG
 TYPE
 TIPO DI DESIGNAZIONE

CUSTOMER'S NO
 KANDEN-NR
 NO. CLIENT
 NO. CLIENTE



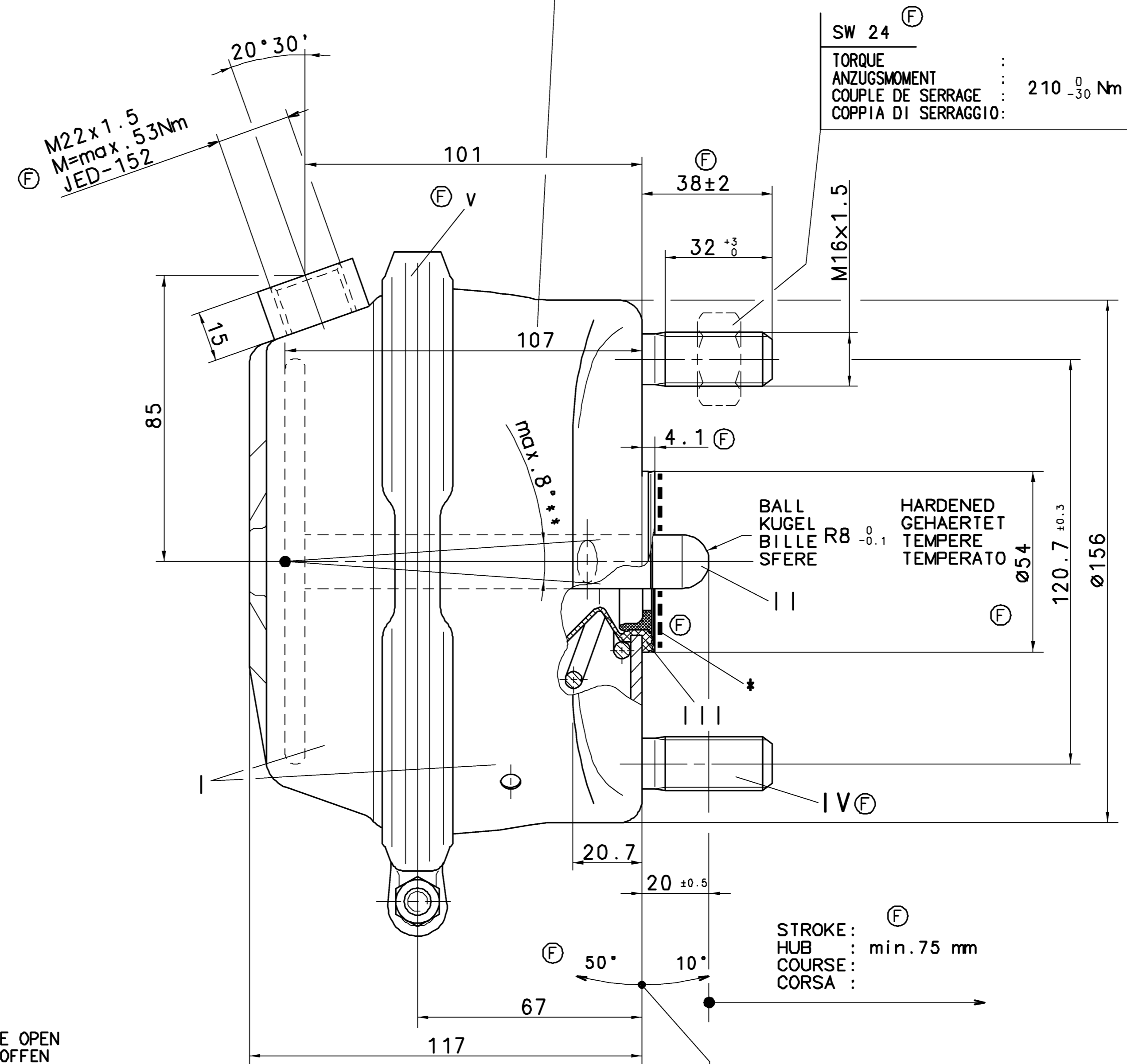
TO BE INSTALLED WITH LOWER BREATHER HOLE OPEN
 IM EINBAUZUSTAND UNTERE ATMUNGSBOHRUNG OFFEN
 A MONTER AVEC LE RENIFLARD INFERIEUR OUVERT
 INSTALLAZIONE: CON IL FORO DI SFIATO INFERIORE APERTO



STROKE
 HUB
 COURSE
 CORSA

THEORETICAL SWIVEL POINT OF THE PUSH ROD
 THEOR. SCHWENKPUNKT DER DRUCKSTANGE
 CENTRE D'ARTICULATION THEORIQUE DE LA TIGE
 CENTRO D'ARTICOLAZIONE TEORICO DELL ASTA

(F) MAIN VIEWS REFER TO DIMENSIONS ONLY
 POSITION OF COMPONENTS SEE REPRESENTATION OF VARIANTS
 HAUPTANSICHTEN BEZIEHEN SICH NUR AUF DIE ABMESSUNGEN
 POSITION DER BAUTEILE SIEHE ABWANDLUNGSDARSTELLUNGEN
 VUES PRINCIPALES CONCERNENT LES DIMENSIONS SEULEMENT
 POSITION DES COMPOSANTS VOIR DESSIN DE LA VARIANTE
 VISTE PRINCIPALI RIGUARDANO DIMENSIONI SOLAMENTE
 POSIZIONE DELLE COMPONENTI VEDERE DISEGNO DI VARIANTE



STROKE: (F)
 HUB : min. 75 mm
 COURSE :
 CORSA :

ADMISSIBLE INSTALLATION POSITION
 ZULAESSIGE EINBAULAGE
 POSITION D'INSTALLATION ADMISE
 POSIZIONE DI MONTAGGIO AMMESSA

- *) SEALING SURFACE
 DICHTFLAECHE
 SURFACE D'ETANCHEITE
 SUPERFICI DI TENUTA
- **) DEFLECTION:
 AUSLENKUNG: max. 8° AT STROKE
 DEFLEXION : A COURSE
 DEVIAZIONE : A CORSA
- ***) OPEN BREATHER HOLE
 OFFEN ATMUNGSBOHRUNG
 OUVERT TROU RENIFLEUR
 APERTO FORO RESPIRATORE

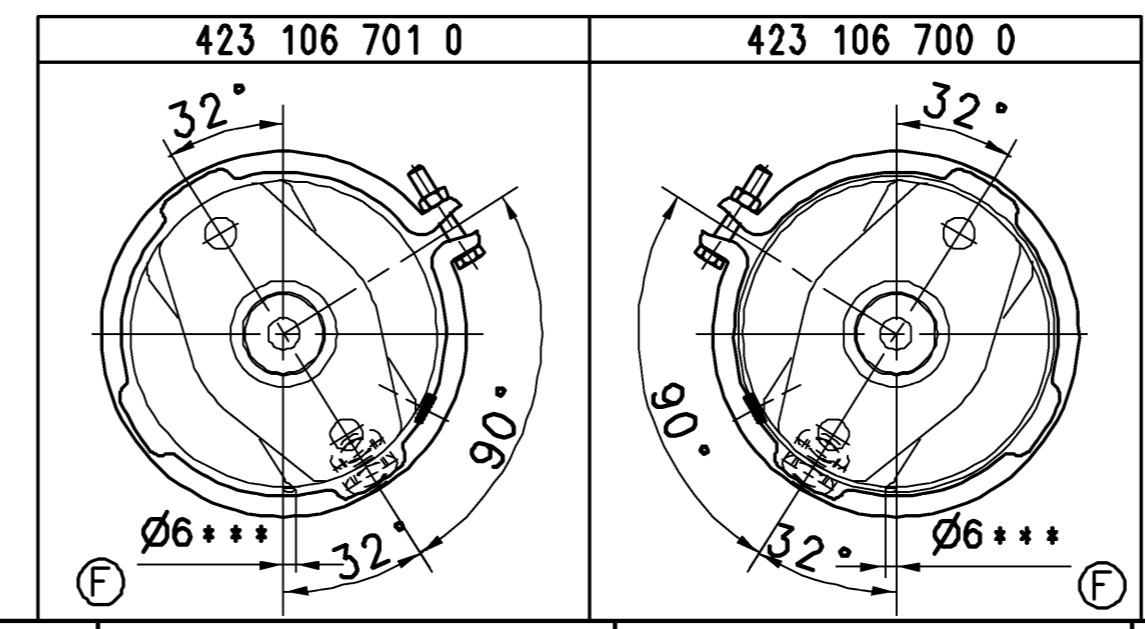
FORCE OF RETURN SPRING AT STROKE 0 :
 RUECKSTELTKRAFT DER FEDER BEI HUB 0 : 200 ±20 N
 EFFORT DU RESSORT DE RAPPEL A COURSE 0 :
 FORZA DELLA MOLLA RITORNO A CORSA 0 :

THERMAL RANGE OF APPLICATION
 THERMISCHER ANWENDUNGSBEREICH : -40° C..+80° C
 GAMME D'APPLICATION THERMIQUE :
 CAMPO DI APPLICAZIONE TERMICA :

MEDIUM : AIR
 MEDIUM : LUFT
 FLUIDE : AIR
 FLUIDO : ARIA

SERVICE PRESSURE :
 BETRIEBSDRUCK : Pe max. = 10,2ar (F)
 PRESSION DE SERVICE :
 PRESSIONE DI ESERCIZIO :

(TEMPORARILY :
 (KURZZEITIG : Pe max. = 13 bar)
 (DE COURTE DUREE :
 (BREVE TEMPO SOLO :



General Specification: JED-334-0		Copyright WABCO		WABCO (F)	
Further Technical Data:		Date:	Drawn:	08-06-11 Wysocki	
Doc. Code:		Sheet:	To:	08-06-11 Szuberski	
General Tolerances: JED-261		Range of Nominal Dimensions (± mm)		Eszel	
Class 11		≤ 50	> 50 < 180	> 180 < 400	> 400
Fine		0.5	1.0	1.5	2.0
Medium		1.0	2.0	3.0	4.0
Coarse		2.0	3.5	5.0	6.5
Tapped Holes acc. JED-152		11 Tolerance Class Applied Crossmarked		Stefaniak	
A 1		CCD	Scale:	Material No.	
117548		21x F		5340	
117548		21x F		5340	
117548		21x F		5340	

BRAKE CHAMBER
 MEMBRANZYLINDER
 VASE A DIAPHRAGME
 BRAKE CHAMBER

423 106 709 0
 053 ML 1/1