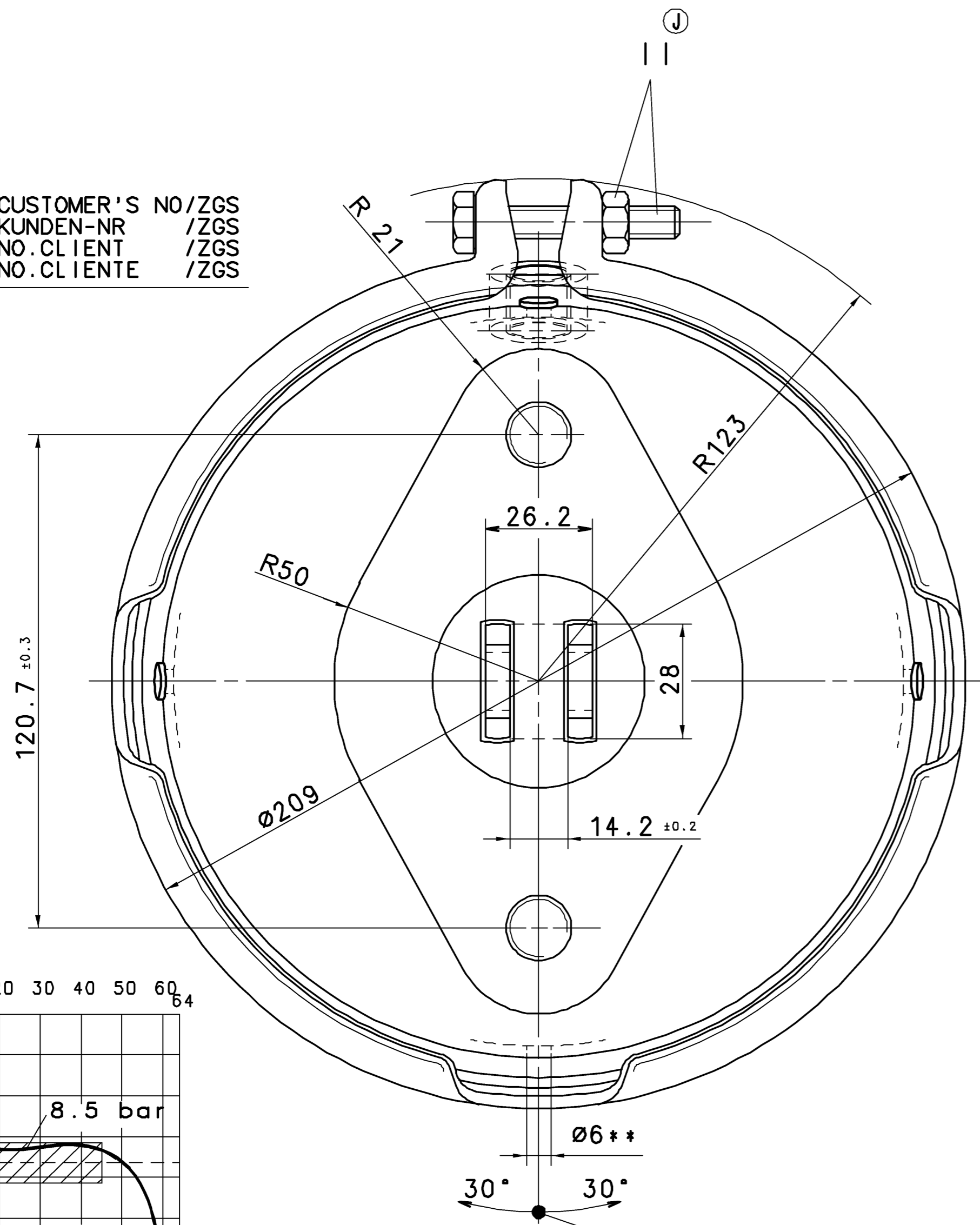


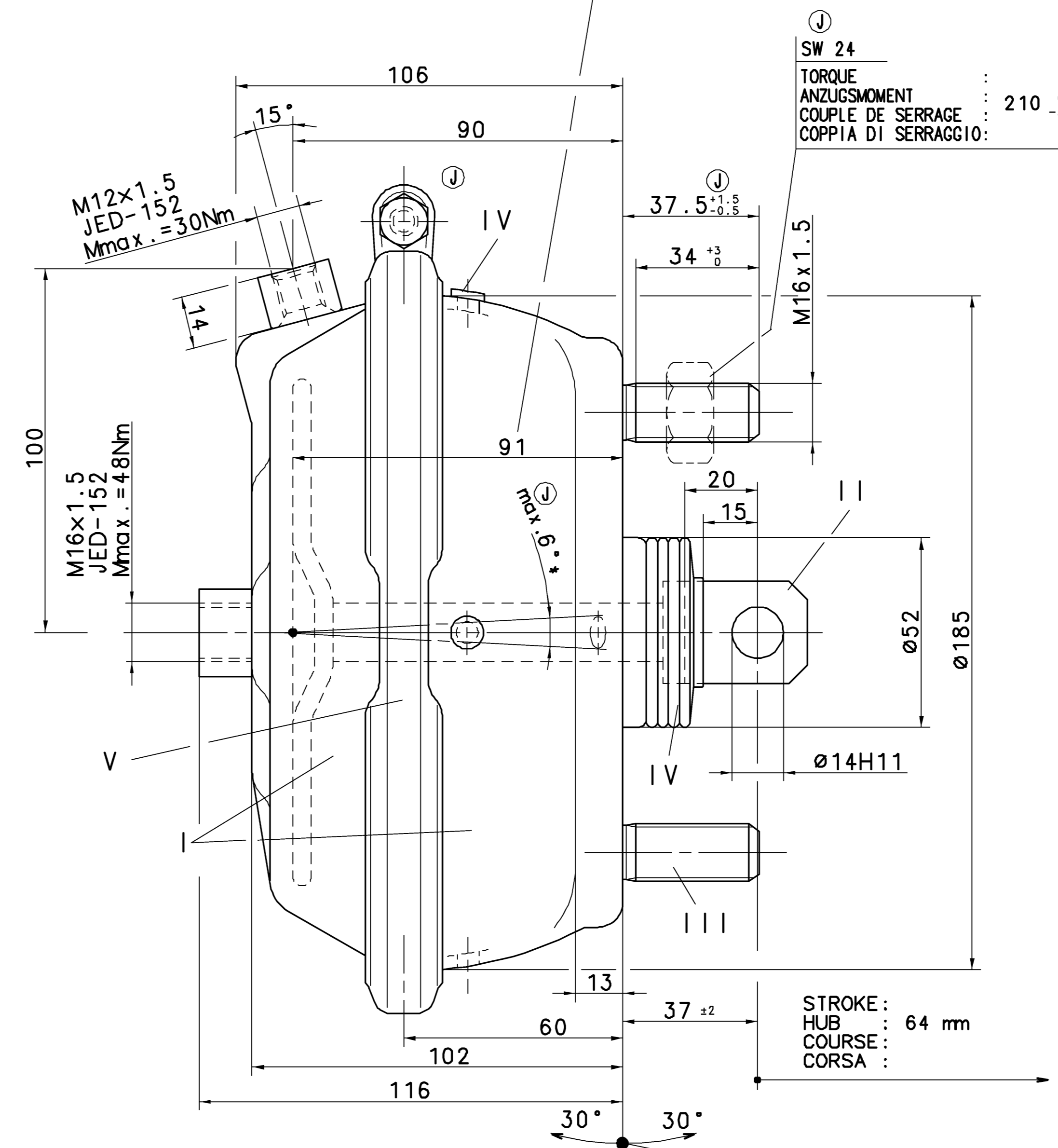
SURFACE PROTECT. / OBERFL. SCHUTZ	
I	JED-240-3
II	JED-256-1
III	JED-371
IV	RUBBER/PLASTIC
V	JED-240-2

TYPE DESIGNATION
 TYPENBEZEICHNUNG
 TYPE
 TIPO DI DESIGNAZIONE

CUSTOMER'S NO/ZGS
 KUNDEN-NR /ZGS
 NO. CLIENT /ZGS
 NO. CLIENTE /ZGS



THEORETICAL SWIVEL POINT OF THE PUSH ROD
 THEOR. SCHWENKPUNKT DER DRUCKSTANGE
 CENTRE D'ARTICULATION THEORIQUE DE LA TIGE
 CENTRO D'ARTICOLAZIONE TEORICO DELL'ASTA

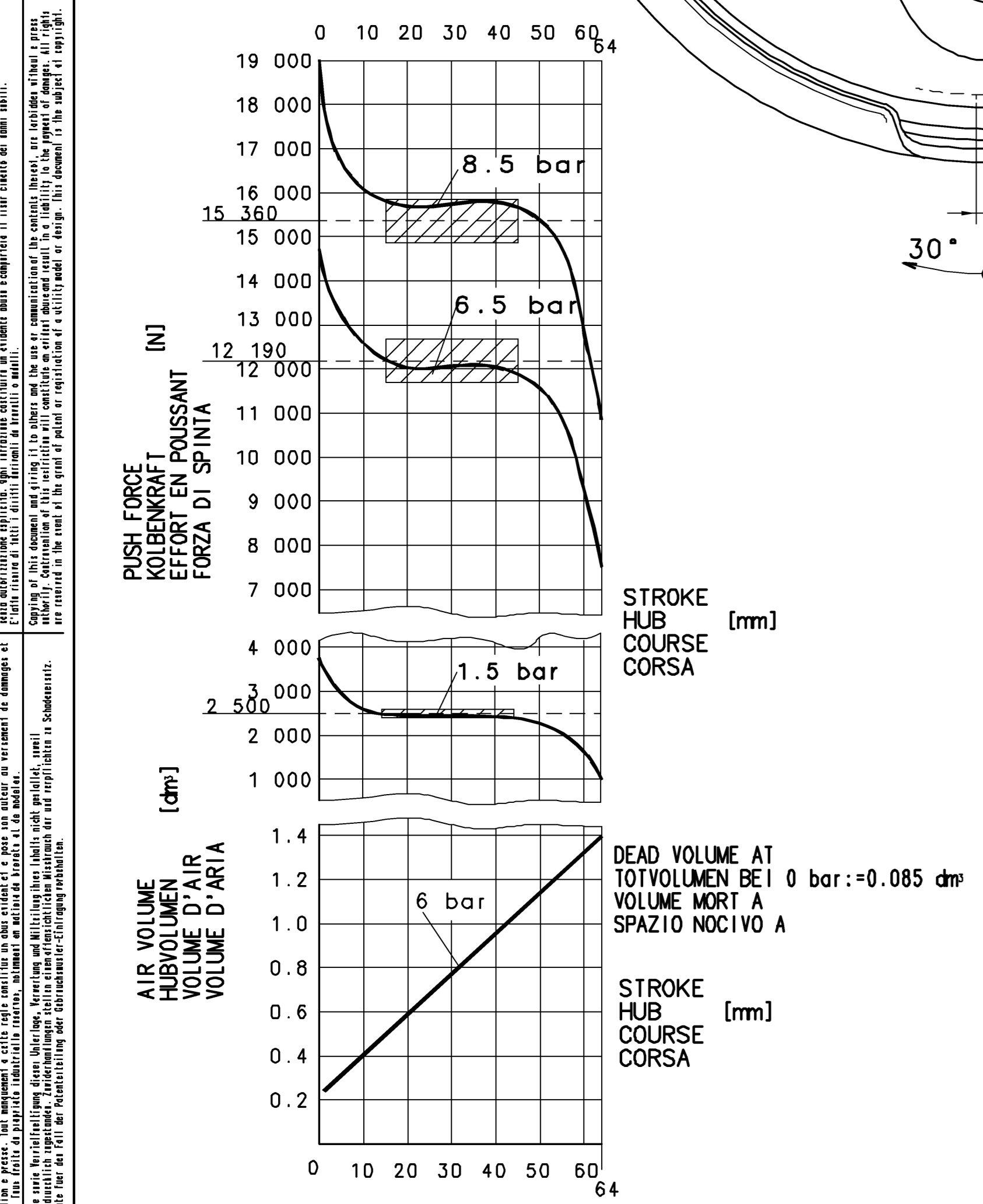


SW 24
 TORQUE : 210⁰/₋₃₀ Nm
 ANZUGSMOMENT :
 COUPLE DE SERRAGE :
 COPPIA DI SERRAGGIO :

WIDTH ACROSS FLATS
 SCHLUESSELWEITE
 SURPLATS
 LARGHEZZA IN CHIAVE

* OPEN BREATHER HOLE
 OFFEN ATMUNGSBOHRUNG
 OUVERT TROU RENIFLEUR
 APERTO FORO RESPIRATORE

* DEFLECTION : max. 6° AT STROKE
 AUSLENKUNG : BEI HUB
 DEFLEXION : A COURSE
 DEVIATIONE : A CORSA



TO BE INSTALLED WITH LOWER BREATHER HOLE OPEN
 IM EINBAUZUSTAND UNTERE ATMUNGSBOHRUNG OFFEN
 A MONTER AVEC LE RENIFLARD INFÉRIEUR OUVERT
 INSTALLAZIONE : CON IL FORO DI SFIATO INFERIORE APERTO

ADMISSIBLE INSTALLATION POSITION
 ZULAESSIGE EINBAULAGE
 POSITION D'INSTALLATION ADMISE
 POSIZIONE DI MONTAGGIO AMMESSA

FORCE OF RETURN SPRING : 250 ± 25 N
 RUECKSTELLKRAFT DER FEDER :
 EFFORT DURESSORTDE RAPPEL :
 FORZA DELLA MOLLA RITORNO :

THERMAL RANGE OF APPLICATION : -40° C. +80° C
 THERMISCHER ANWENDUNGSBEREICH :
 GAMME D'APPLICATION THERMIQUE :
 CAMPO DI APPLICAZIONE TERMICA :

MEDIUM : AIR
 MEDIUM : LUFT
 FLUIDE : AIR
 FLUIDO : ARIA

SERVICE PRESSURE : Pe max. = 10,2 bar
 BETRIEBSDRUCK :
 PRESSION DE SERVICE :
 PRESSIONE DI ESERCIZIO :

TEMPORARILY : Pe max. = 13 bar
 KURZZEITIG :
 DE COURTE DUREE :
 BREVE TEMPO SOLO :

423 107 407 0	A 006 420 08 24	001	
WABCO	CUSTOMER'S NO. KUNDEN-NR. KZ No. CLIENT No. CLIENTE	AUSFUEHRUNG ZGS	CAD
IDENTIFICATION			

General Specification: JED-334-0		Copyright WABCO	
Further Technical Data:		Date:	Drawn:
Doc. Code:		Sheet:	To:
General Tolerances JED-261			
Range of Nominal Dimensions (± mm)			
Class	1)	≤ 50	> 50 < 180
		≤ 180	< 400 > 400
Class	2)	0.5	1.0 1.5 2.0
		1.0	2.0 3.0 4.0
		2.0	3.5 5.0 6.5
Tapped Holes acc. JED-152			
11 Tolerance Class Applied Crossmarked			
423 107 407 0		005 ML 1/1	
12 1999		6 x J 5340	

WABCO
 BRAKE CHAMBER
 MEMBRANZYLINDER 30
 VASE A DIAPHRAGME
 BRAKE CHAMBER