

SURFACE PROTECT. OBERFL. SCHUTZ	
I	JED-240-1
II	JED-256-1
III	JED-240-2
IV	JED-371

MEDIUM : AIR
MEDIUM : LUFT
FLUIDE : AIR
FLUIDO : ARIA

WIDTH ACROSS FLATS
SW SCHLUESSELWEITE
SURPLATS
LARGHEZZA IN CHIAVE

THERMAL RANGE OF APPLICATION :
THERMISCHER ANWENDUNGSBEREICH : -40°C...+80°C
GAMME D'APPLICATION THERMIQUE :
CAMPO TERMICO D'APPLICAZIONE :

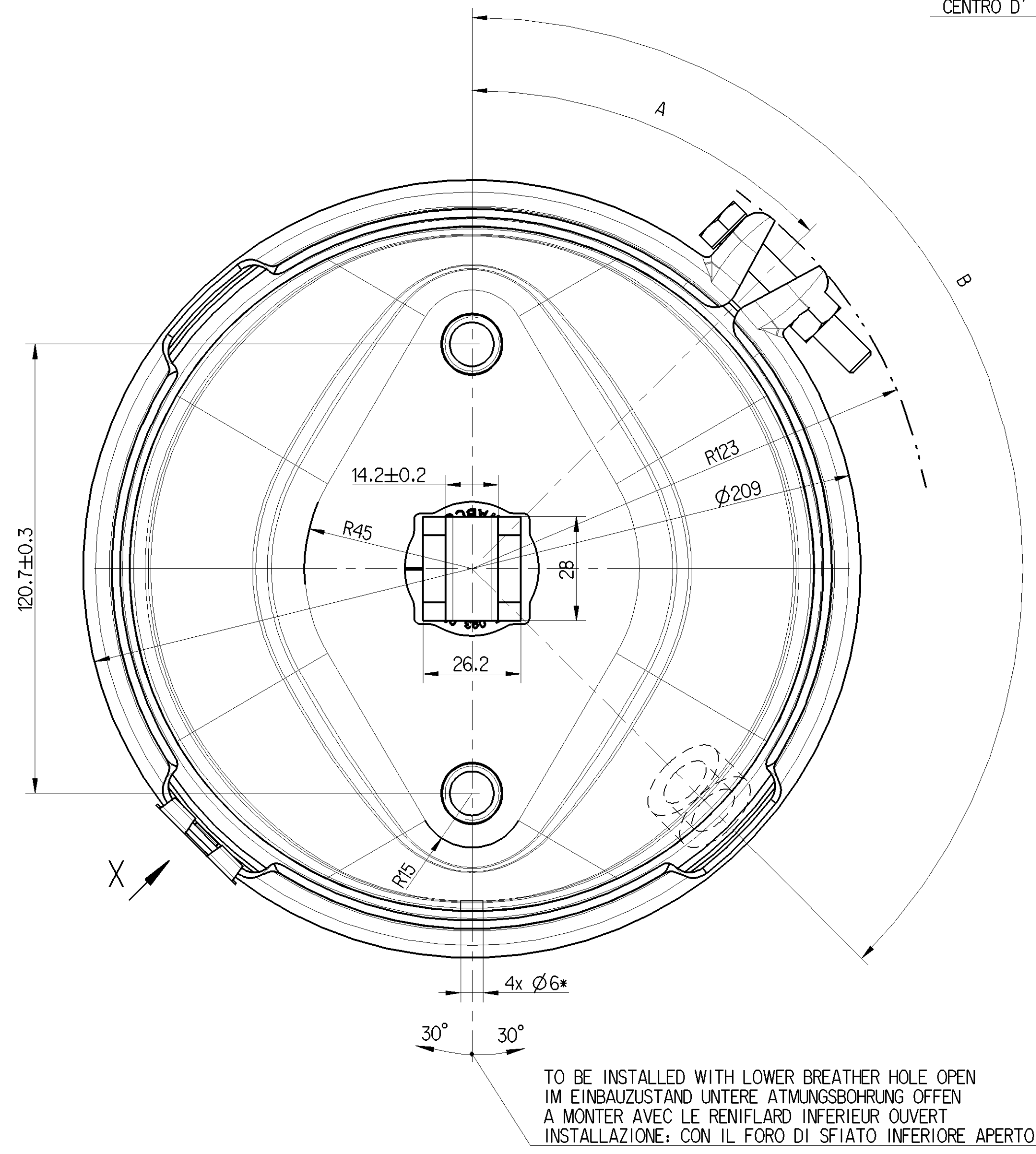
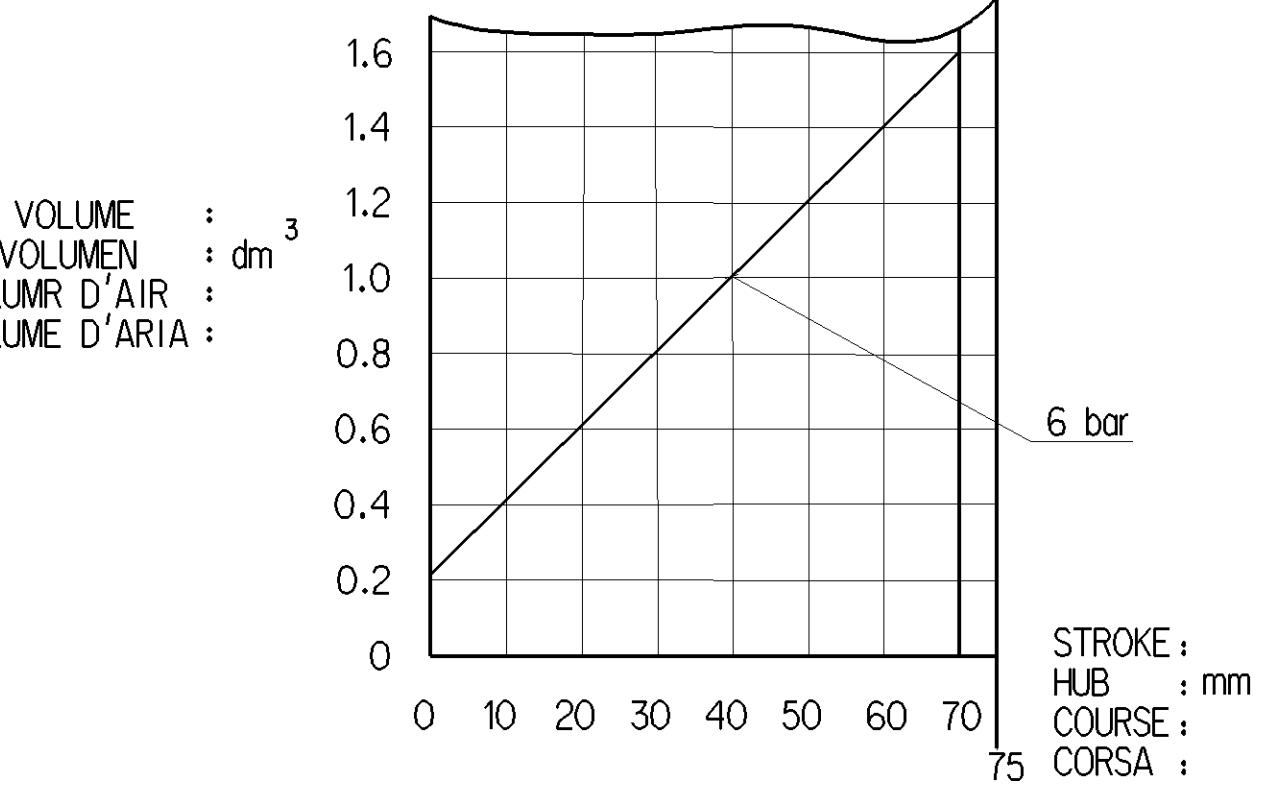
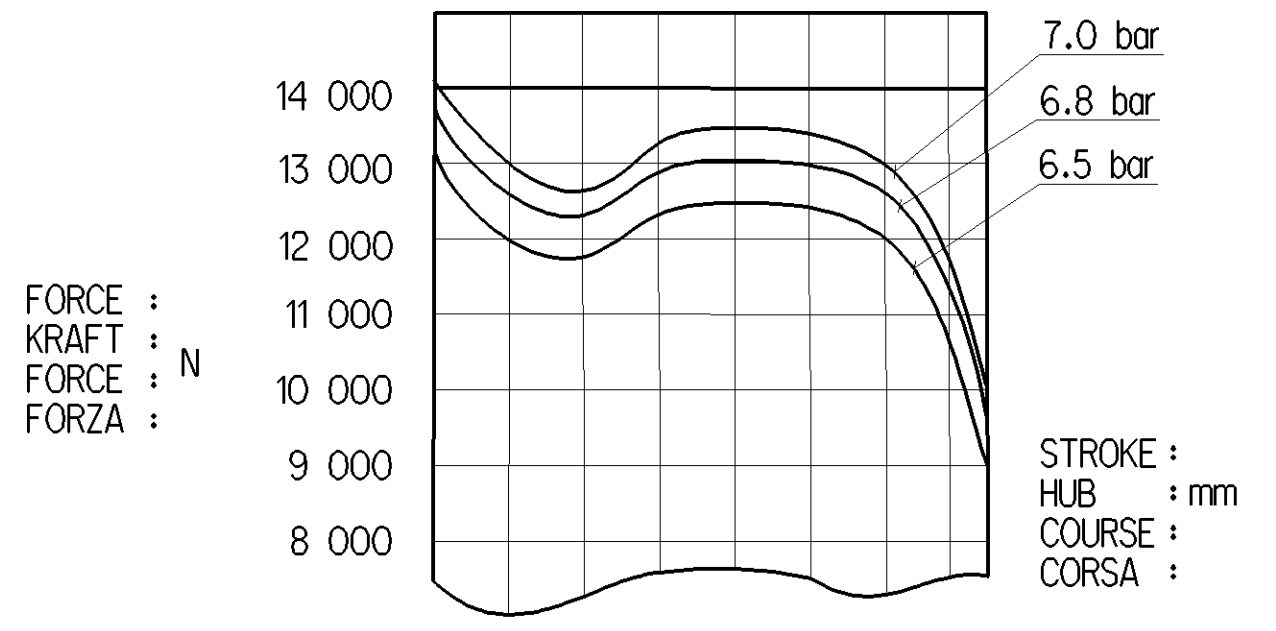
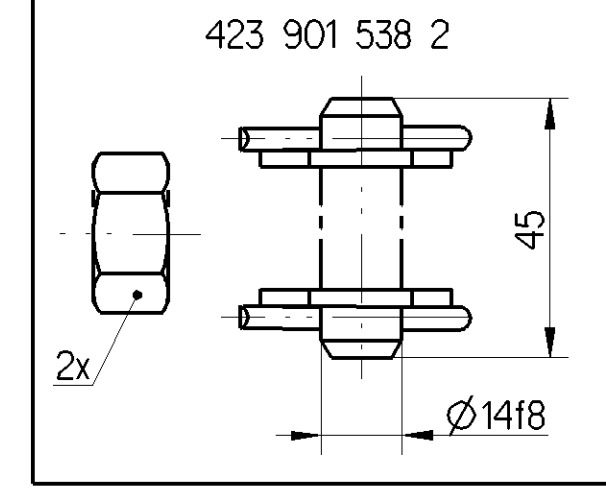
DEAD VOLUME AT
TOTVOLUMEN BEI 0 bar : = 0.085 dm³
VOLUME MORT A
SPAZIO NOCIVO A

MIN. FORCE OF RETURN SPRING :
MIN. RUECKSTELLKRAFT DER FEDER :
EFFORT MINI. DU RESSORT DE RAPPEL : 100 ±10N
FORZA MIN. DELLA MOLLA DI RITRNO :

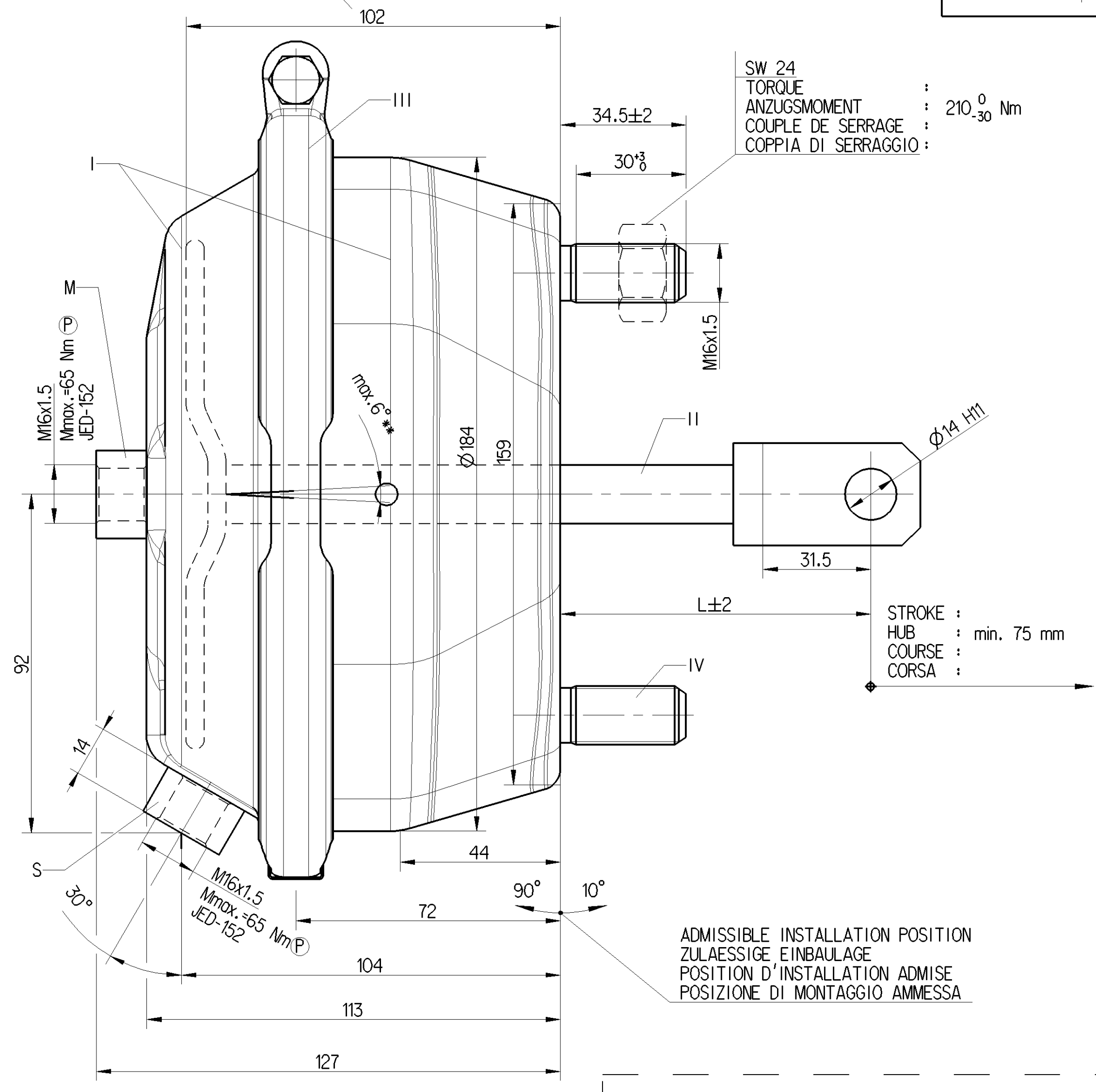
EXTERNAL STROKE LIMIT
HUBBEGRENZUNG EXTERN
LIMITE DE COURSE EXTERNE
LIMITAZIONE DI CORSA ESTERNO

Ø14 f8	+0.016 -0.043
Ø14H11	+0.110 0

BY-PACKING
BEIPACK
PAQUET JOINT
PACKO RIUNCHIUSO



THEORETICAL SWIVEL POINT OF THE PUSH ROD
THEOR. SCHWENKPUNKT DER DRUCKSTANGE
CENTRE D'ARTICULATION THEORIQUE DE LA TIGE
CENTRO D'ARTICOLAZIONE TEORICO DELL'ASTA



SW 24
TORQUE
ANZUGSMOMENT : 210⁰₋₃₀ Nm
COUPLE DE SERRAGE :
COPPIA DI SERRAGGIO :

STROKE :
HUB : min. 75 mm
COURSE :
CORSA :

ADMISSIBLE INSTALLATION POSITION
ZULAESSIGE EINBAULAGE
POSITION D'INSTALLATION ADMISE
POSIZIONE DI MONTAGGIO AMMESSA

TO BE INSTALLED WITH LOWER BREATHER HOLE OPEN
IM EINBAUZUSTAND UNTERE ATMUNGSBOHRUNG OFFEN
A MONTER AVEC LE RENIFLARD INFERIEUR OUVERT
INSTALLAZIONE: CON IL FORO DI SFIATO INFERIORE APERTO

OPEN BREATHER HOLE
OFFEN ATMUNGSBOHRUNG
OUVERT TROU RENIFLEUR
APERTO FORO RESPIRATORE

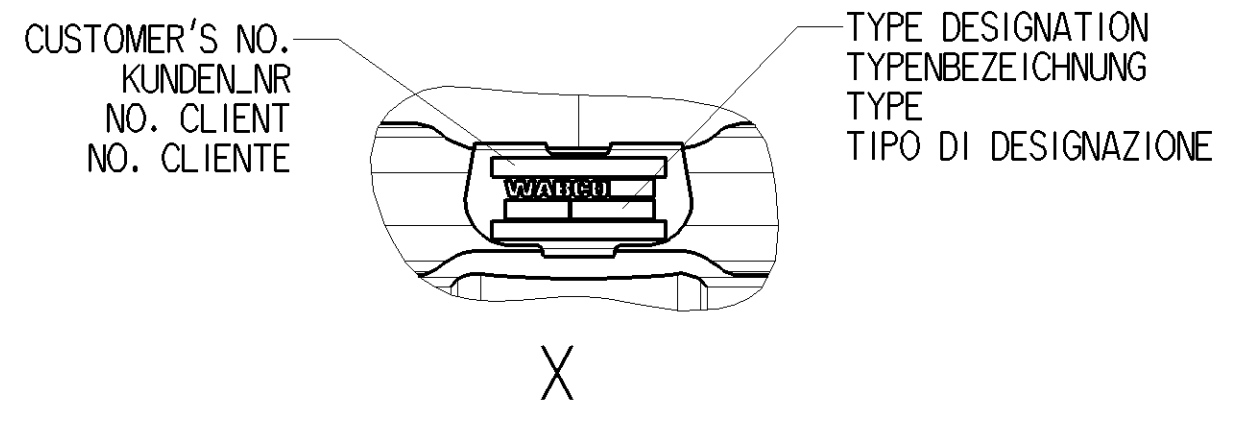
DEFLECTION :
AUSLENKUNG : max. 6° AT STROKE
DEFLEXION : BEI HUB 0 mm
DEVIATIONE : A COURSE
A CORSA

MAIN VIEWS REFER TO DIMENSIONS ONLY
POSITION OF COMPONENTS SEE TABLE

HAUPTANSICHTEN BEZIEHEN SICH NUR AUF DIE ABMESSUNGEN
POSITION DER BAUTEILE SIEHE TABELLE

VUES PRINCIPALES CONCERNENT LES DIMENSIONS SEULEMENT
POSITION DES OMSOPANTS VOIR TABLEAU

VISTE PRINCIPALI RIGUARDANO DIMENSIONI SOLAMENTE
POSIZIONE DELLE COMPONENTI VEDERE TABELLA



423 107 098 0		162	180	45	M + S	
423 107 095 0		300	45		M	423 901 538 2
423 107 090 0		85	0	0	M + S	
WABCO	CUSTOMER'S NO. KUNDEN-NR. No. CLIENT No. CLIENTE	L	A	B	PORT ANSCHLUSS ORIFICE ORFICIO	BY-PACKING BEIPACK PAQUET JOINT PACKO RIUNCHIUSO

General Specifications: JED-334-1, Size ISO 14405 LP		Copyright WABCO®	
Further Technical Data:		Date	Signature
Doc. Code	Sheet	2015-03-02	Swaminathan
General Tolerances JED-261		Checked	Aranganathan
Range of Nominal Dimensions (± mm)		Expert Bielmatowski, Lukasz	
Class	1)	≤ 50	> 50 ≤ 180
Fine	X	± 0.1	± 0.15
Medium	X	± 0.2	± 0.3
Coarse	X	± 0.3	± 0.5
Trapped Holes acc.		1) Tolerance Class Applied Crossmarked	
Material No.		Date of first issue	
423 107 899 0		053 ML 1/1	
Scale		Replacement for	
1:1		164829 2x P 5340	

Toute communication de reproduction de ce document, toute exploitation ou communication de son contenu sont interdites, sauf autorisation écrite de WABCO. Toute utilisation non autorisée sera poursuivie devant les tribunaux. WABCO n'est pas responsable des dommages et intérêts résultant de l'utilisation non autorisée de ce document. All rights reserved. No part of this document may be reproduced, stored in a retrieval system, or transmitted, in any form or by any means, electronic, mechanical, photocopying, recording, or by any information storage and retrieval system, without the prior written permission of WABCO. WABCO is not responsible for damages or interest resulting from the unauthorized use of this document.