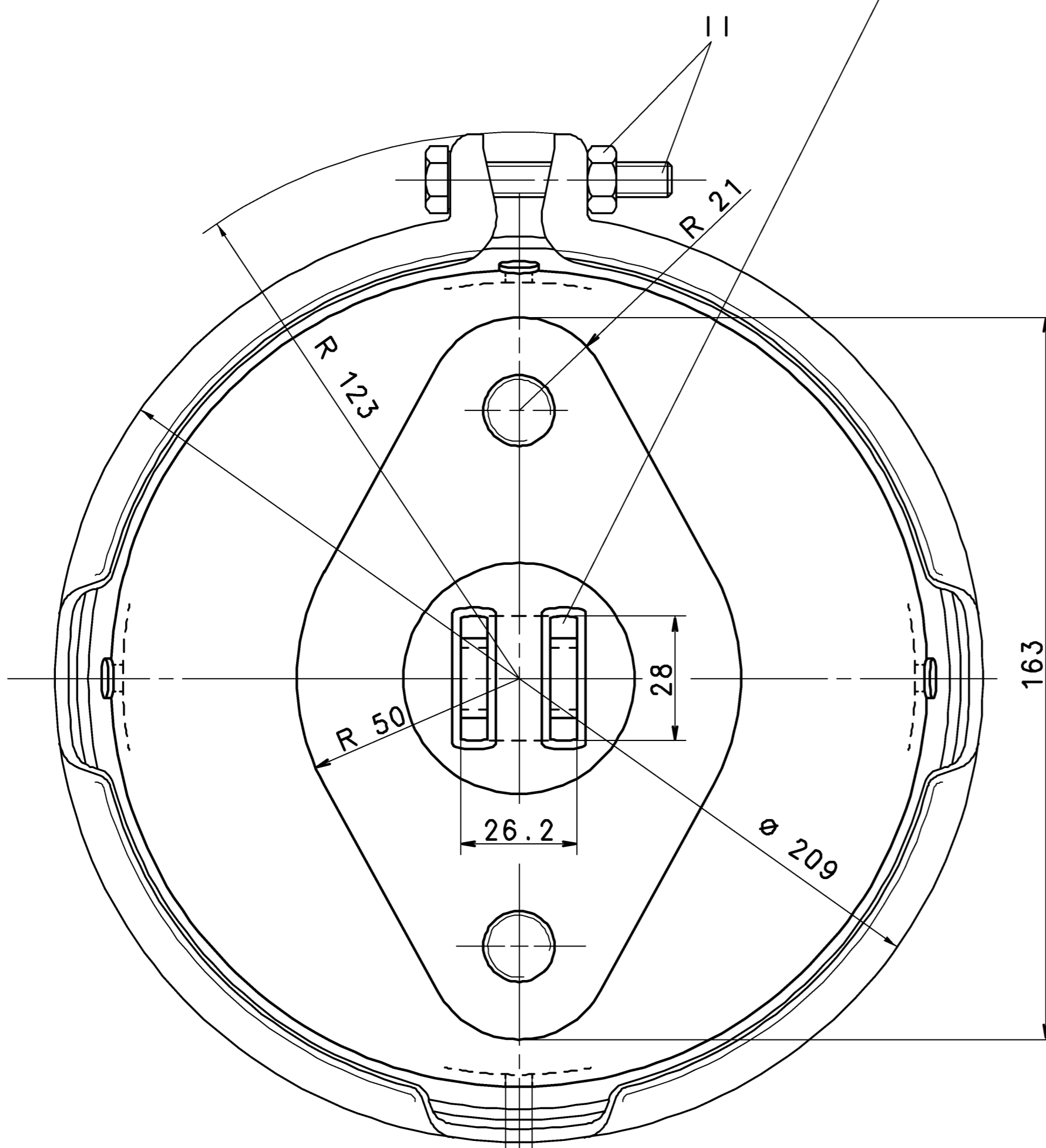
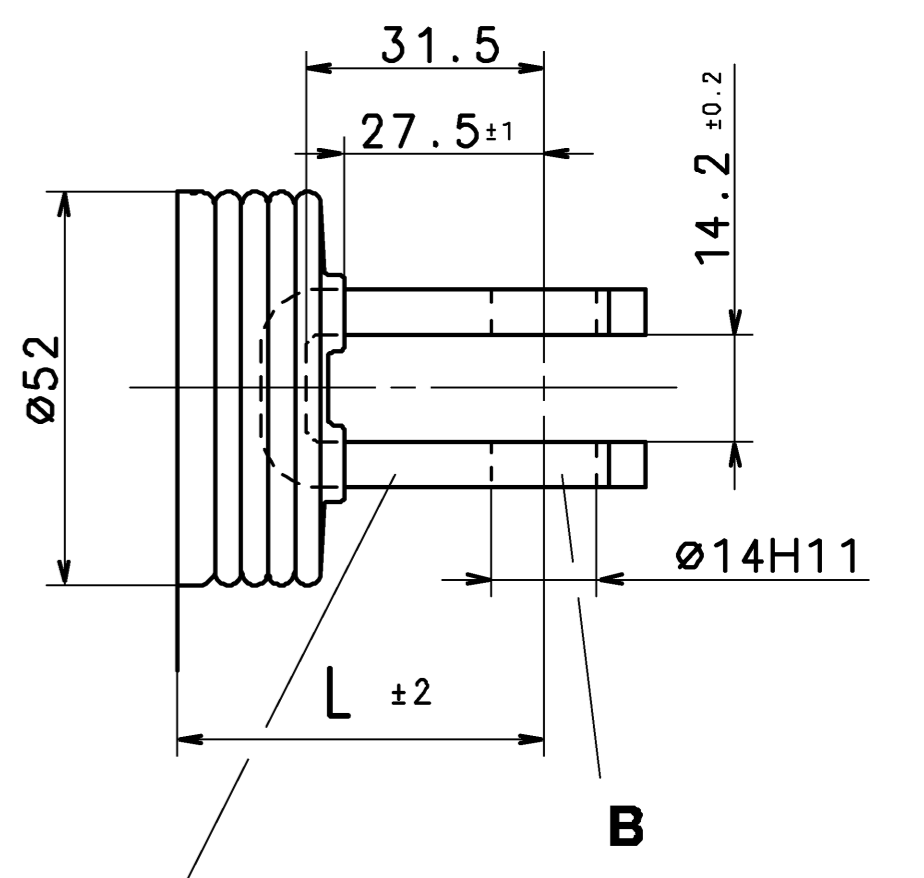
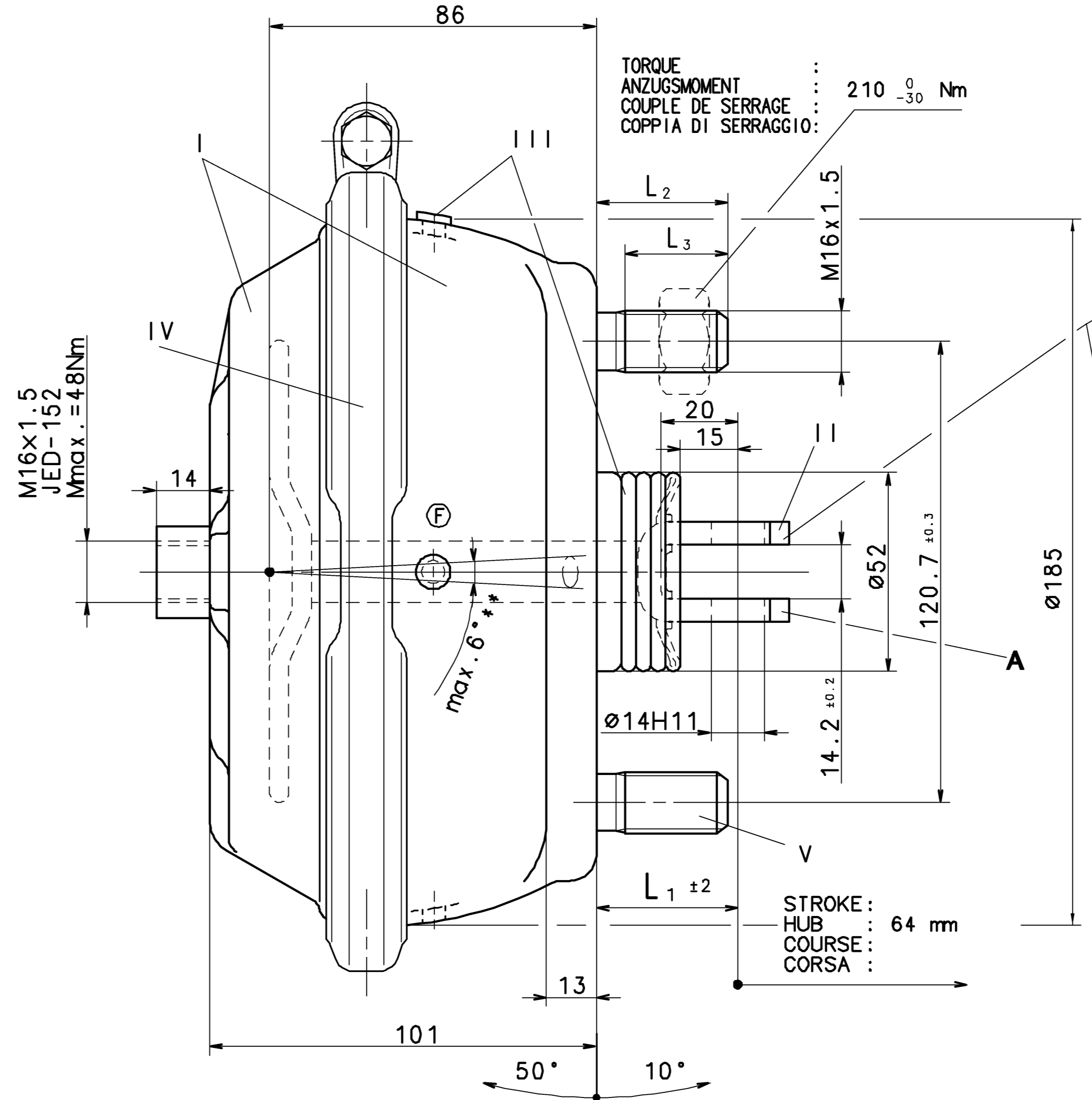


SURFACE PROTECT. / OBERFL. SCHUTZ	
I	JED-240-3
II	JED-256-1
III	RUBBER/PLASTIC
IV	JED-240-2
V	JED-371

THE POSITION OF THE YOKE WITH BOOT CAN BE CORRECTED  
 STELLUNG DES GABELKOPFES MIT FALTENBALG KANN KORRIGIERT WERDEN  
 LA POSITION DE LA CHAPE AVEC GAINÉ PEUT ETRE CORRIGEE  
 LA POSIZIONE DELLA FORCELLA CON PROTETTORE PIU' ESSERE CORRETTA



THEORETICAL SWIVEL POINT OF THE PUSH ROD  
 THEOR. SCHWENKPUNKT DER DRUCKSTANGE  
 CENTRE D'ARTICULATION THEORIQUE DE LA TIGE  
 CENTRO D'ARTICOLAZIONE TEORICO DELL'ASTA



\* ) OPEN BREATHER HOLE  
 OFFEN ATMUNGSBOHRUNG  
 OUVERT TROU RENIFLEUR  
 APERTO FORO RESPIRATORE

\*\* ) DEFLECTION : AT STROKE  
 AUSLENKUNG : max. 6° BEI HUB 0 mm  
 DEFLEXION : A COURSE  
 DEVIAZIONE : A CORSA

\*\*\* ) OUT OF PLANE  
 VERSETZT GEZEICHNET  
 AU DEHORS DU PLAN DE PROJECTION  
 AL DI FUORI DEL PIANO DI PROIEZIONE

FORCE OF RETURN SPRING : 250 ± 25 N  
 RUECKSTELPKRAFT DER FEDER :  
 EFFORT DU RESSORT DE RAPPEL :  
 FORZA DELLA MOLLA RITORNO :

THERMAL RANGE OF APPLICATION : -40 °C. + 80 °C  
 THERMISCHER ANWENDUNGSBEREICH :  
 GAMME D'APPLICATION THERMIQUE :  
 CAMPO DI APPLICAZIONE TERMICA :

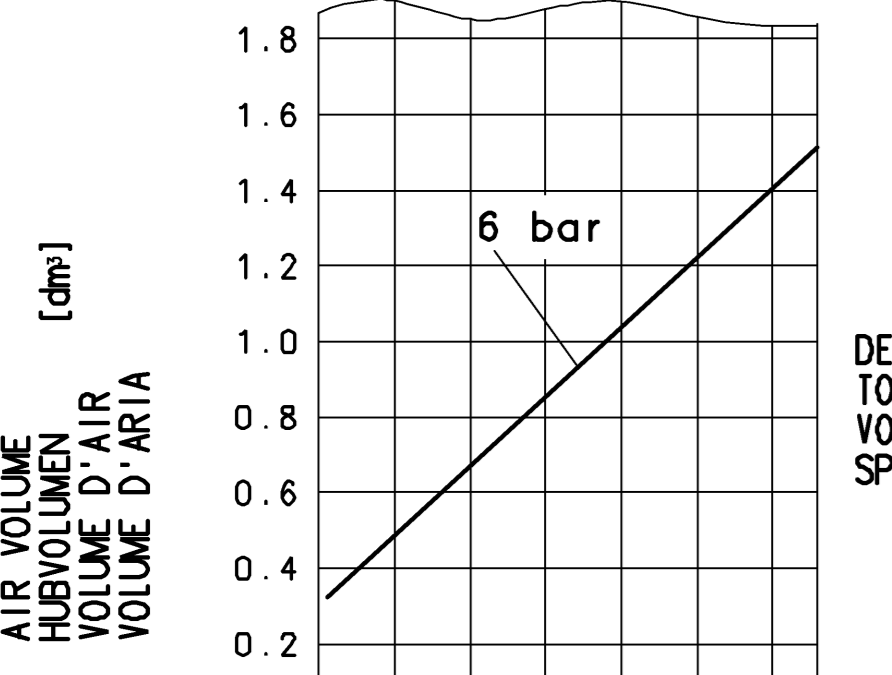
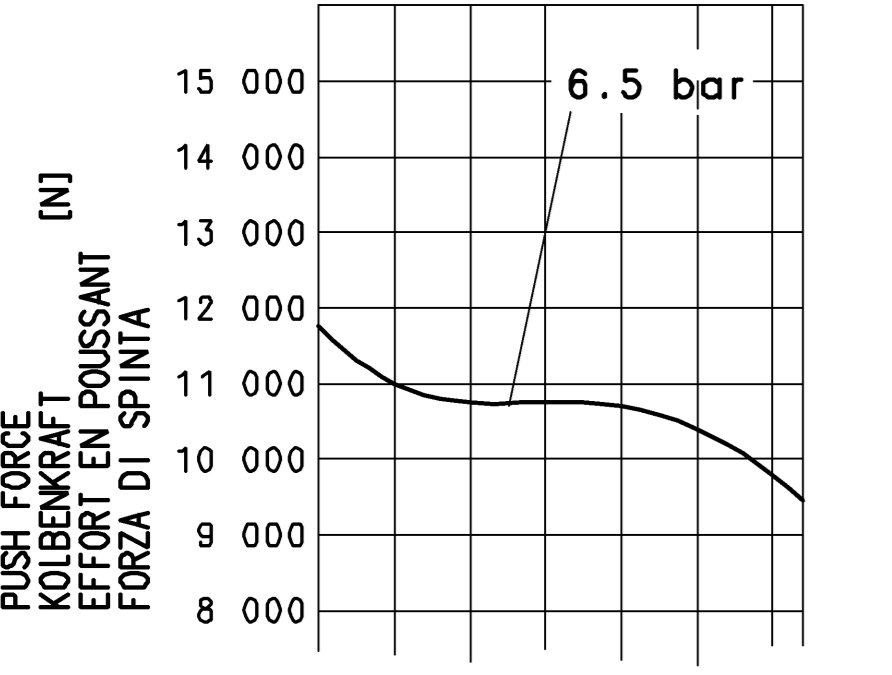
SERVICE PRESSURE : Pe max. = 10.2 bar  
 BETRIEBSDRUCK :  
 PRESSION DE SERVICE :  
 PRESSIONE DI ESERCIZIO :

(TEMPORARILY) : Pe max. = 13 bar  
 (KURZZEITIG) :  
 (DE COURTE DUREE) :  
 (BREVE TEMPO SOLO) :

MEDIUM : AIR  
 MEDIUM : LUFT  
 FLUIDE : AIR  
 FLUIDO : ARIA

TO BE INSTALLED WITH LOWER BREATHING HOLE OPEN  
 IM EINBAUZUSTAND UNTERE ATMUNGSBOHRUNG GEOEFFNET  
 A MONTER AVEC LE RENIFLARD INFERIEUR OUVERT  
 INSTALLAZIONE : CON IL FORO DI SFIAITO INFERIORE APERTO

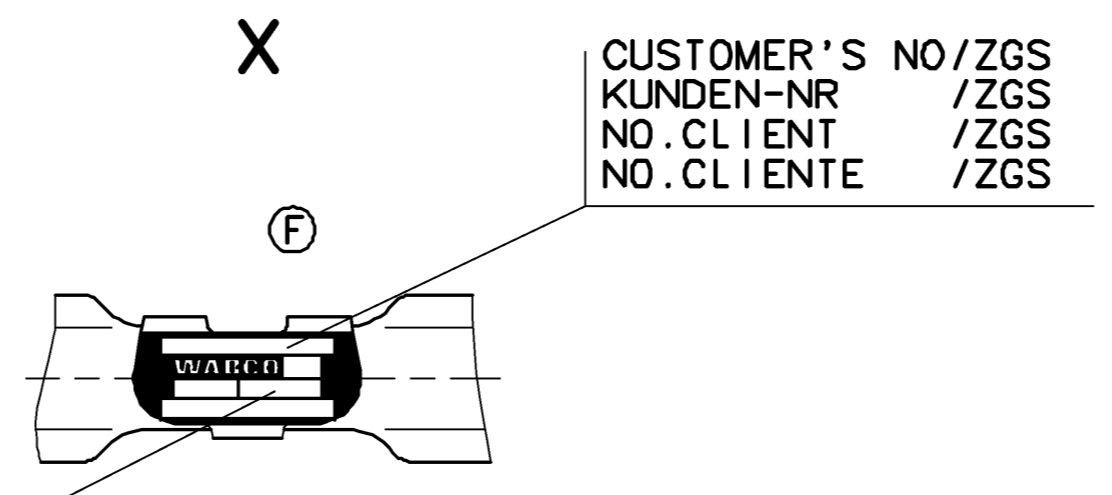
ADMISSIBLE INSTALLATION POSITION  
 ZULAESSIGE EINBAULAGE  
 POSITION D'INSTALLATION ADMISE  
 POSIZIONE DI MONTAGGIO AMMESSA



STROKE HUB COURSE CORSA [mm]

DEAD VOLUME AT TOTVOLUMEN BEI 0 bar : = 0.13 dm<sup>3</sup>  
 VOLUME MORT A SPAZIO NOCIVO A

STROKE HUB COURSE CORSA [mm]



CUSTOMER'S NO / ZGS  
 KUNDEN-NR / ZGS  
 NO. CLIENT / ZGS  
 NO. CLIENTE / ZGS

TYPE DESIGNATION  
 TYPENBEZEICHUNG  
 TYPE  
 TIPO DI DESIGNAZIONE

423 109 002 0	B	54	34	27 <sup>+3</sup> <sub>0</sub>
423 109 001 0	A	37	38 <sup>-9</sup>	27 <sup>+3</sup> <sub>0</sub>
WABCO	CUSTOMER'S NO. KUNDEN-NR. No. CLIENT No. CLIENTE	DESIGN AUSFUHRUNG EXECUTION ESECUZIONE	ZGS CAD	L <sub>1</sub> L <sub>2</sub> L <sub>3</sub>

General Specification: JED-334-9	Copyright WABCO	<b>WABCO</b>											
Further Technical Data:	Date: 09-05-25	Drawn: Medynski	Sheet: 27										
Doc. Code: Sheet: To:	Title: BRAKE CHAMBER MEMBRANZYLINDER VASE A DIAPHRAGME BRAKE CHAMBER												
General Tolerances JED-281	Material No.	Date of first issue: BB-05-16											
Range of Nominal Dimensions (± mm)	Doc. Code	Language	Sheet										
Class 1) <table border="1"> <tr><td>≤ 50</td><td>&gt; 50 &amp;lt; 180</td><td>&gt; 180 &amp;lt; 400</td><td>&gt; 400</td></tr> <tr><td>± 0.5</td><td>± 1.0</td><td>± 1.5</td><td>± 2.0</td></tr> </table>	≤ 50	> 50 &lt; 180	> 180 &lt; 400	> 400	± 0.5	± 1.0	± 1.5	± 2.0	423 109 009 0	ML	1/1		
≤ 50	> 50 &lt; 180	> 180 &lt; 400	> 400										
± 0.5	± 1.0	± 1.5	± 2.0										
Class 2) <table border="1"> <tr><td>≤ 1.0</td><td>&gt; 1.0 &amp;lt; 2.0</td><td>&gt; 2.0 &amp;lt; 3.0</td><td>&gt; 3.0 &amp;lt; 4.0</td><td>&gt; 4.0 &amp;lt; 6.5</td></tr> <tr><td>± 3</td><td>± 3</td><td>± 3</td><td>± 3</td><td>± 3</td></tr> </table>	≤ 1.0	> 1.0 &lt; 2.0	> 2.0 &lt; 3.0	> 3.0 &lt; 4.0	> 4.0 &lt; 6.5	± 3	± 3	± 3	± 3	± 3	Scale: 1:1	Tech. Resp: 5340	
≤ 1.0	> 1.0 &lt; 2.0	> 2.0 &lt; 3.0	> 3.0 &lt; 4.0	> 4.0 &lt; 6.5									
± 3	± 3	± 3	± 3	± 3									
Tapped Holes acc. JED-152		11 Tolerance Class Applied Crossmarked											

WABCO and its logo are trademarks of WABCO. All other marks are the property of their respective owners.  
 WABCO e il suo logo sono marchi registrati di WABCO. Tutti gli altri segni sono marchi registrati dei rispettivi proprietari.  
 WABCO und sein Logo sind Warenzeichen von WABCO. Alle anderen Zeichen sind das Eigentum der jeweiligen Eigentümer.  
 WABCO e o logotipo são marcas registradas da WABCO. Todos os outros símbolos são marcas registradas dos respectivos proprietários.