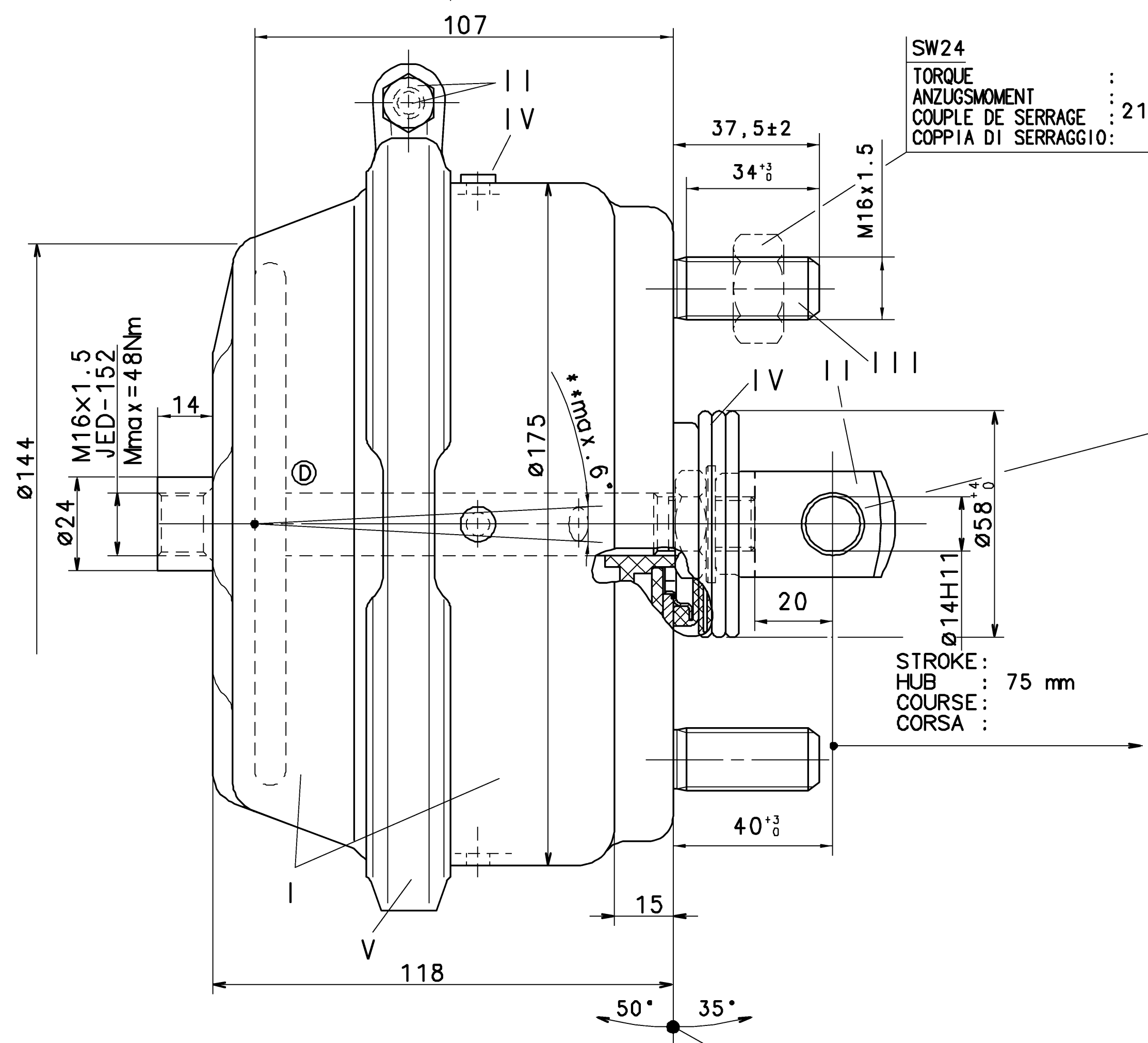
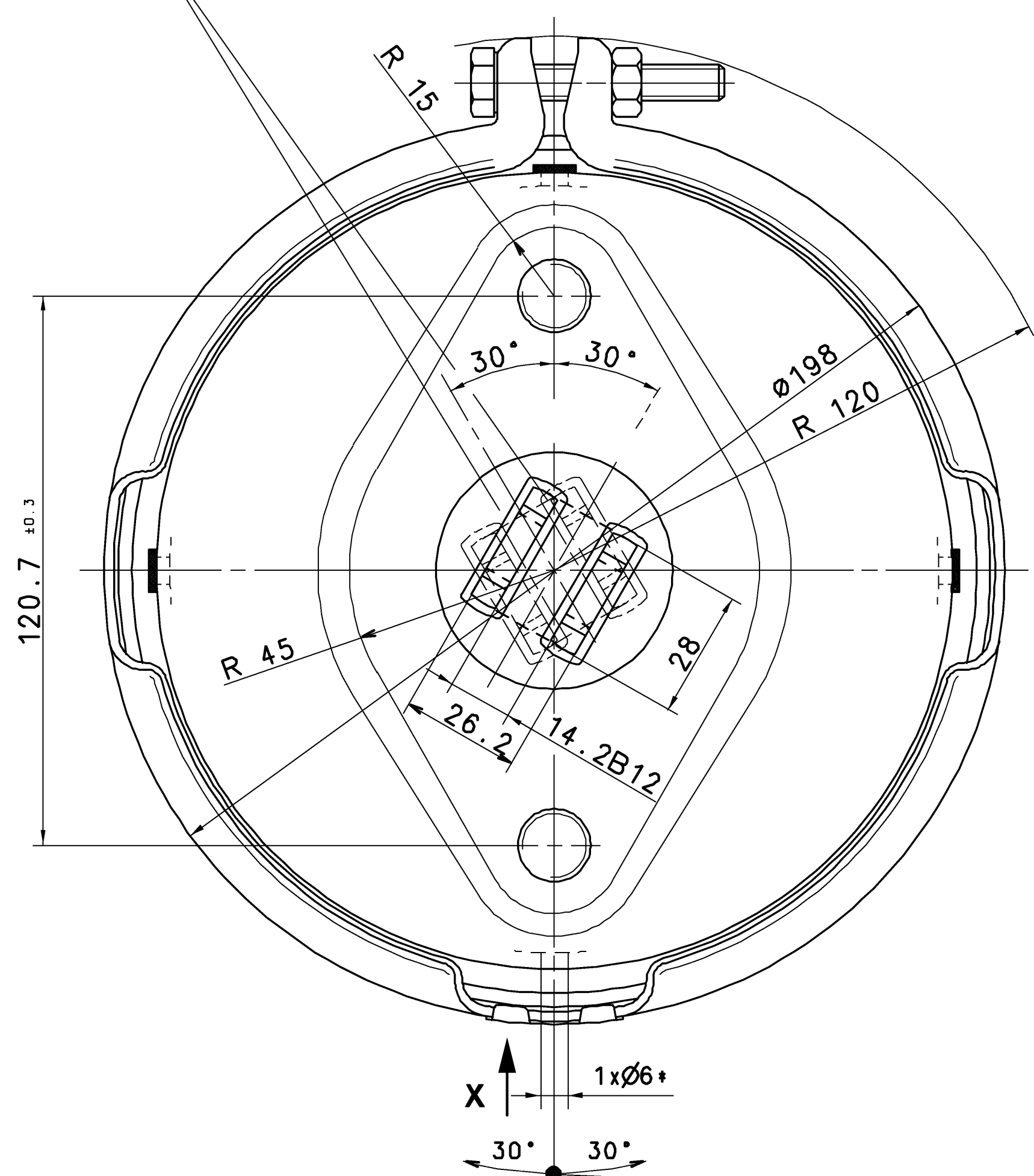


SURFACE PROTECT. / OBERFL. SCHUTZ	
I	JED-240-3
II	JED-256-1
III	JED-371
IV	RUBBER/PLASTIC
V	JED-240-2

14 H11	+0.110 0
14 B12	+0.330 +0.150

THEORETICAL SWIVEL POINT OF THE PUSH ROD
 THEOR. SCHWENKPUNKT DER DRUCKSTANGE
 CENTRE D'ARTICULATION THEORIQUE DE LA TIGE
 CENTRO D'ARTICOLAZIONE TEORICO DELL ASTA

THE POSITION OF THE YOKE WITH BOOT CAN BE CORRECTED
 STELLUNG DES GABELKOPFES MIT FALTENBALG KANN KORRIGIERT WERDEN
 LA POSITION DE LA CHAPE AVEC GAINÉ PEUT ETRE CORRIGEE
 LA POSIZIONE DELLA FORCELLA CON PROTETTORE PIU ESSERE CORRETTA



SW24
 TORQUE :
 ANZUGSMOMENT :
 COUPLE DE SERRAGE : 210⁰/₋₃₀ Nm
 COPPIA DI SERRAGGIO :

OUT OF PLANE
 VERSETZT GEZEICHNET
 AU DEHORS DU PLAN DE PROJECTION
 AL DI FUORI DEL PIANO DI PROIEZIONE

STROKE:
 HUB : 75 mm
 COURSE :
 CORSA :

- *) OPEN BREATHER HOLE
 OFFEN ATMUNGSBOHRUNG
 OUVERT TROU RENIFLEUR
 APERTO FORO RESPIRATORE
- ***) DEFLECTION: AT STROKE 0 mm
 AUSLENKUNG: max. 6° BEI HUB
 DEFLEXION: A COURSE
 DEVIAZIONE: A CORSA

FORCE OF RETURN SPRING :
 RUECKSTELTKRAFT DER FEDER : 200 ±20 N
 EFFORT DU RESSORT DE RAPPEL :
 FORZA DELLA MOLLA RITORNO :

THERMAL RANGE OF APPLICATION :
 THERMISCHER ANWENDUNGSBEREICH : -40 °C...+80 °C
 GAMME D'APPLICATION THERMIQUE :
 CAMPO DI APPLICAZIONE TERMICA :

MEDIUM : AIR WIDTH ACROSS FLATS
 MEDIUM : LUFT SW= SCHLUSSELWEITE
 FLUIDE : AIR SURPLATS
 FLUIDO : ARIA Ⓣ LARGHEZZA IN CHIAVE

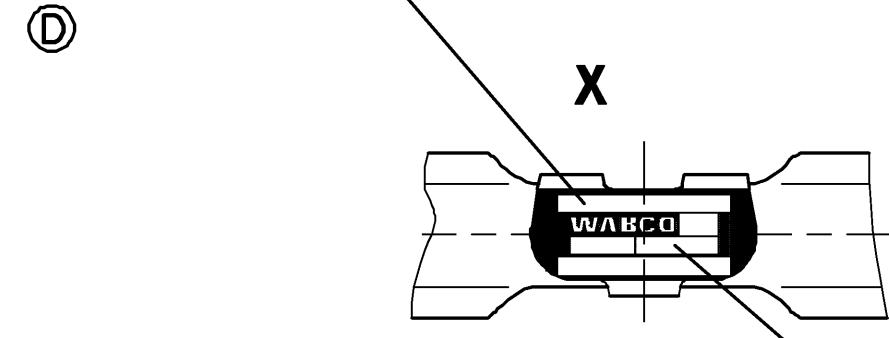
SERVICE PRESSURE :
 BETRIEBSDRUCK : Pe max. = 10.2 bar
 PRESSION DE SERVICE :
 PRESSIONE DI ESERCIZIO :

(TEMPORARILY :
 (KURZZEITIG : Pe max. = 13 bar)
 (DE COURTE DUREE :
 (BREVE TEMPO SOLO :

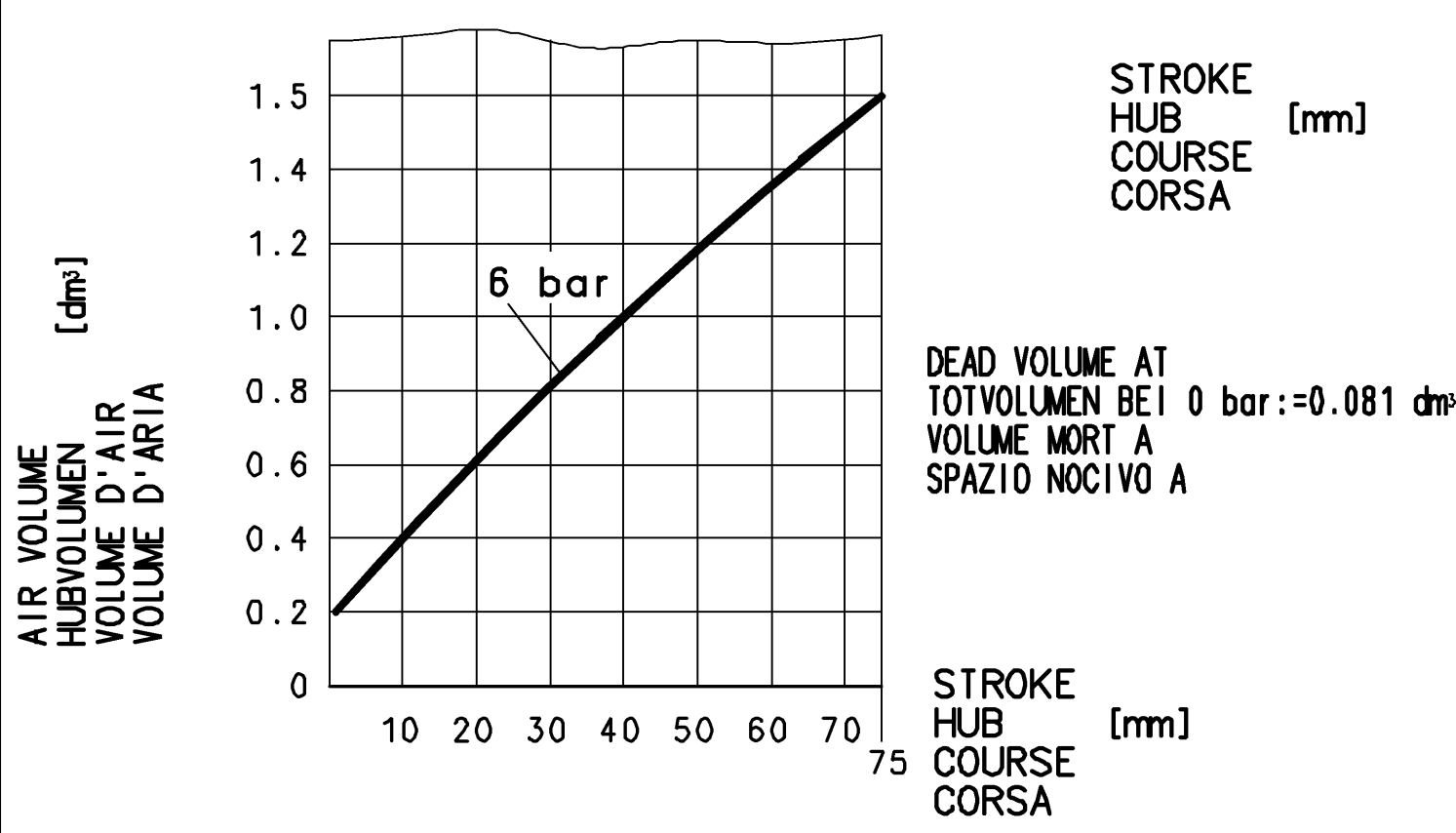
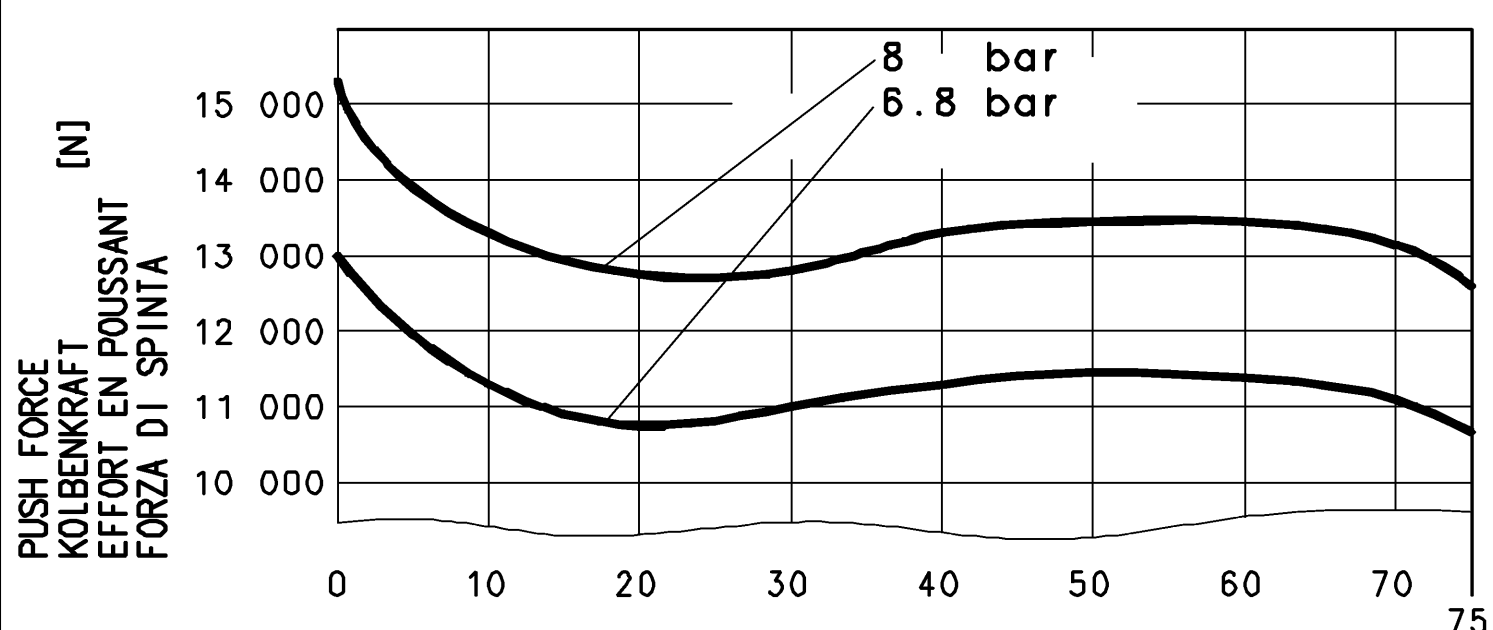
TO BE INSTALLED WITH LOWER BREATHER HOLE OPEN
 IM EINBAUZUSTAND UNTERE ATMUNGSBOHRUNG OFFEN
 A MONTER AVEC LE RENIFLARD INFERIEUR OUVERT
 INSTALLAZIONE : CON IL FORO DI SFIATO INFERIORE APERTO

ADMISSIBLE INSTALLATION POSITION
 ZULAESSIGE EINBAULAGE
 POSITION D'INSTALLATION ADMISE
 POSIZIONE DI MONTAGGIO AMMESSA

CUSTOMER'S NO
 KUNDEN-NR.
 NO. CLIENT
 NO. CLIENTE



TYPE DESIGNATION
 TYPENBEZEICHNUNG
 TYPE
 TIPO DI DESIGNAZIONE



General Specification: JED-334-0		Copyright WABCO		WABCO	
Further Technical Data:		Date:	09-06-01	Desigln:	Lesko
Doc. Code:	Sheet: To	Checked:	09-06-01	Expert:	Szuberski
General Tolerances JED-261		Rango of Nominal Dimensions (± mm)		Szuberski	
Class 1)	≤ 50 > 50 > 180 > 180 > 400 > 400	±3*		Szuberski	
Fine	0.5 1.0 1.5 2.0	Mass	3.8 kg	Scale	1:1
Medium	1.0 2.0 3.0 4.0	Size	423 109 120 0	Doc. Code / Language	005 ML 1/1
Coarse	2.0 3.5 5.0 6.5	System	CAD System	Material No.	423 109 120 0
Tapped Holes acc. JED-152		ECN-No.	122113	Revision	4 xD
11 Tolerance Class Applied Crossmarked		Techn. Resp.	5340	Rep/Access. For	