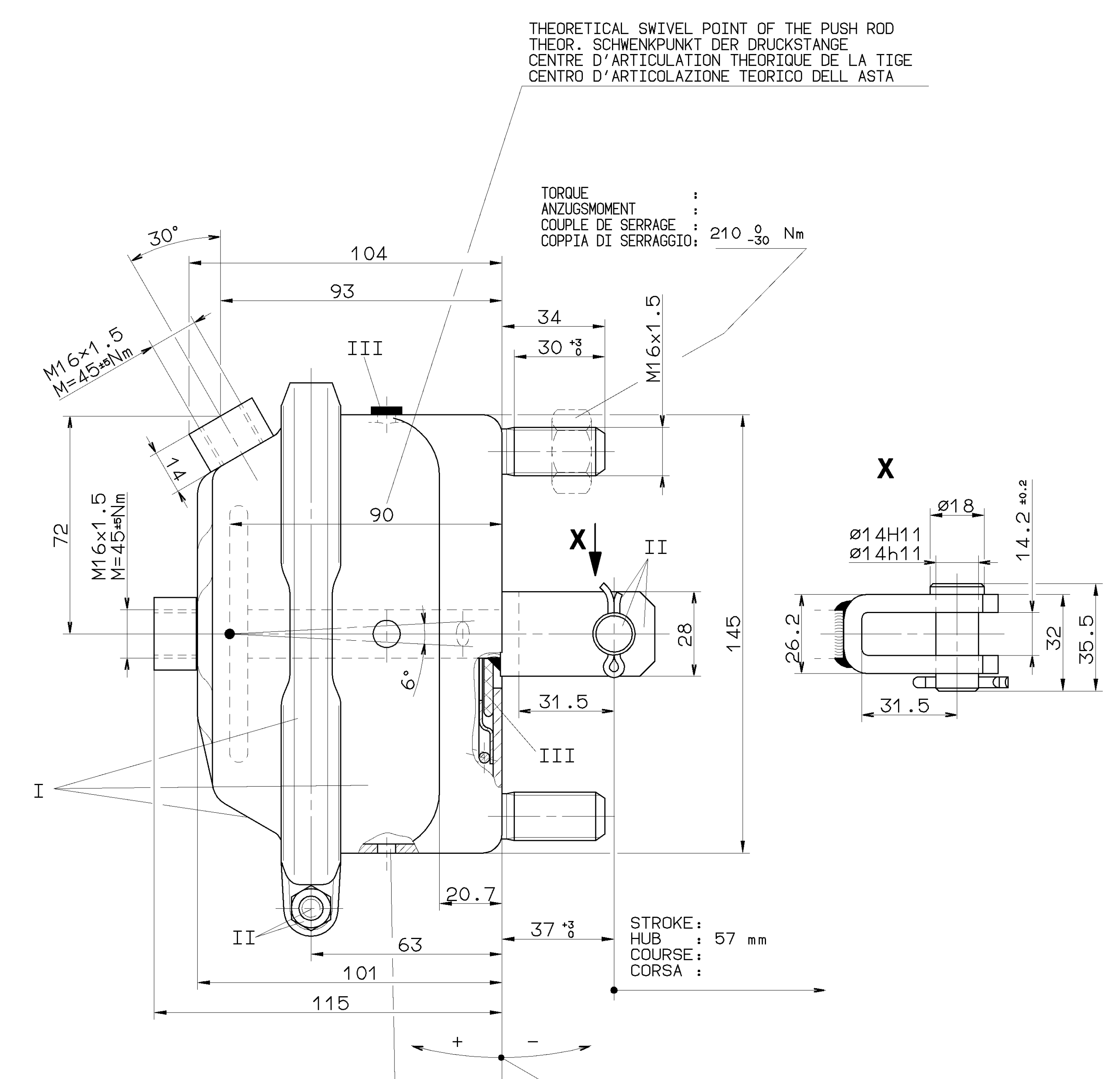
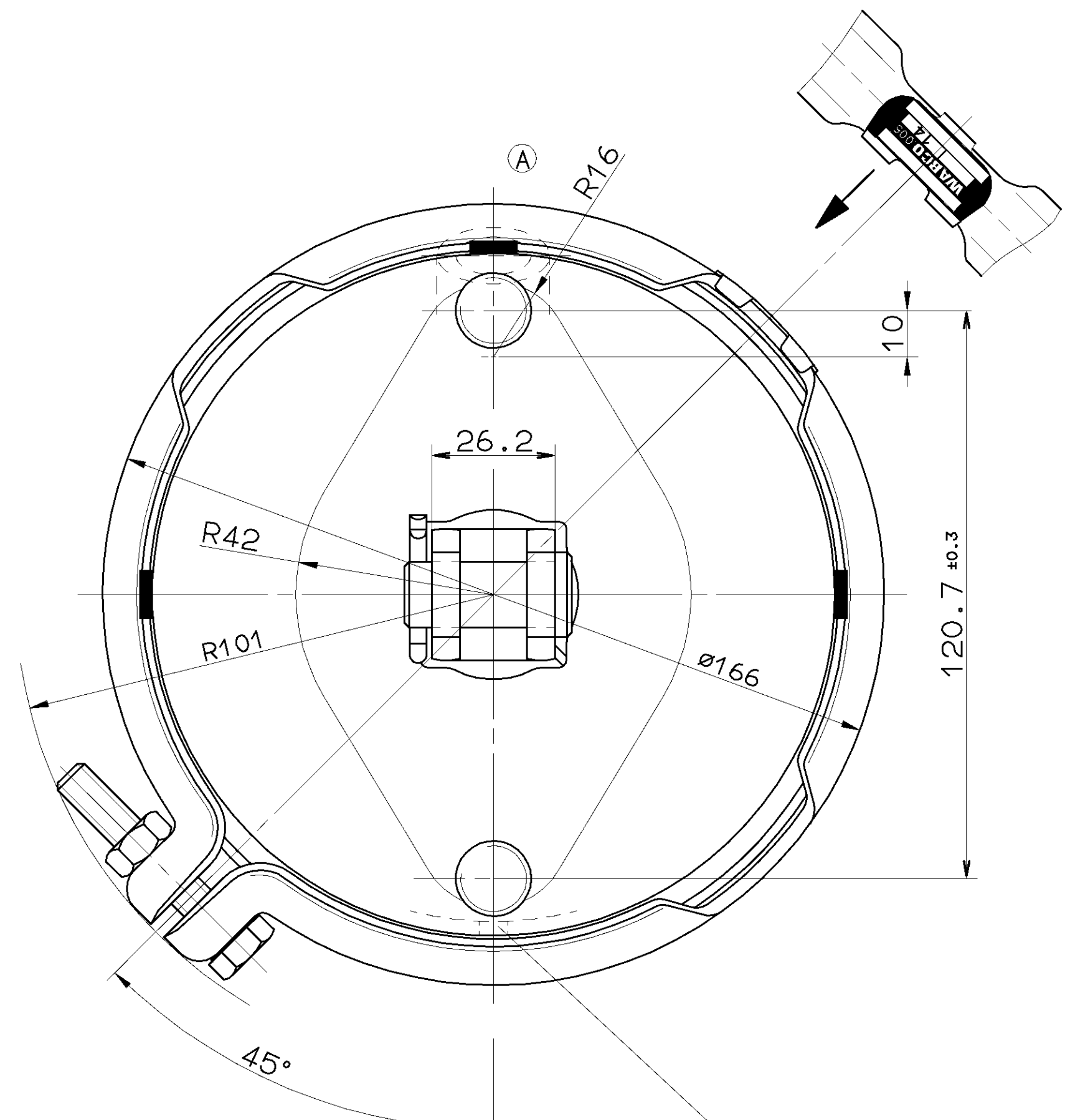


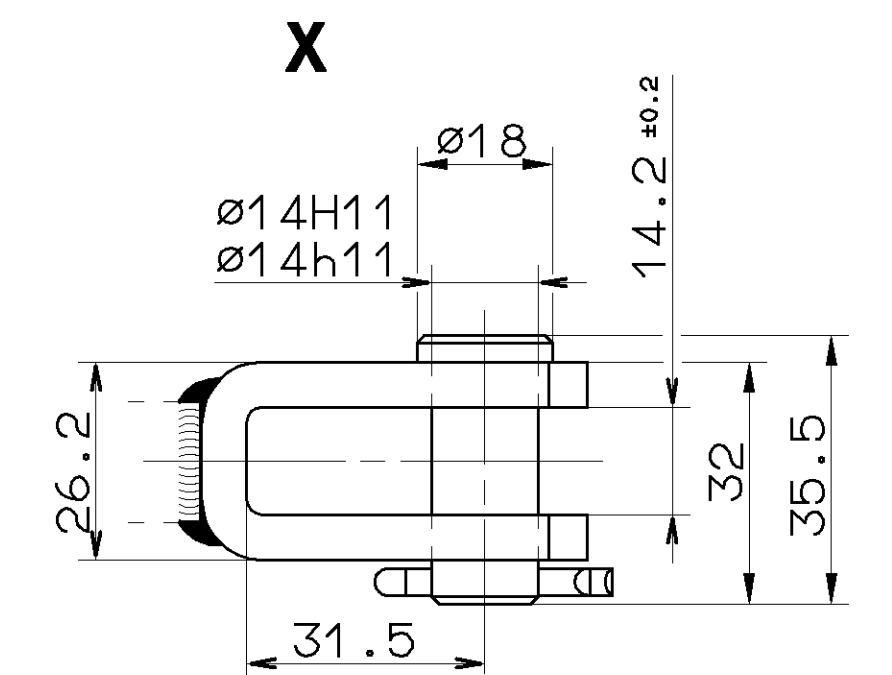
SURFACE PROTECT./OBERFL. SCHUTZ	
I	JED-240
II	JED-256
III	GUMMI / KUNSTSTOFF

14H11	+0.110
14h11	-0.110



THEORETICAL SWIVEL POINT OF THE PUSH ROD  
 THEOR. SCHWENKPUNKT DER DRUCKSTANGE  
 CENTRE D'ARTICULATION THEORIQUE DE LA TIGE  
 CENTRO D'ARTICOLAZIONE TEORICO DELL'ASTA

TORQUE  
 ANZUGSMOMENT :  
 COUPLE DE SERRAGE : 210 <sup>0</sup>/<sub>-30</sub> Nm  
 COPPIA DI SERRAGGIO:



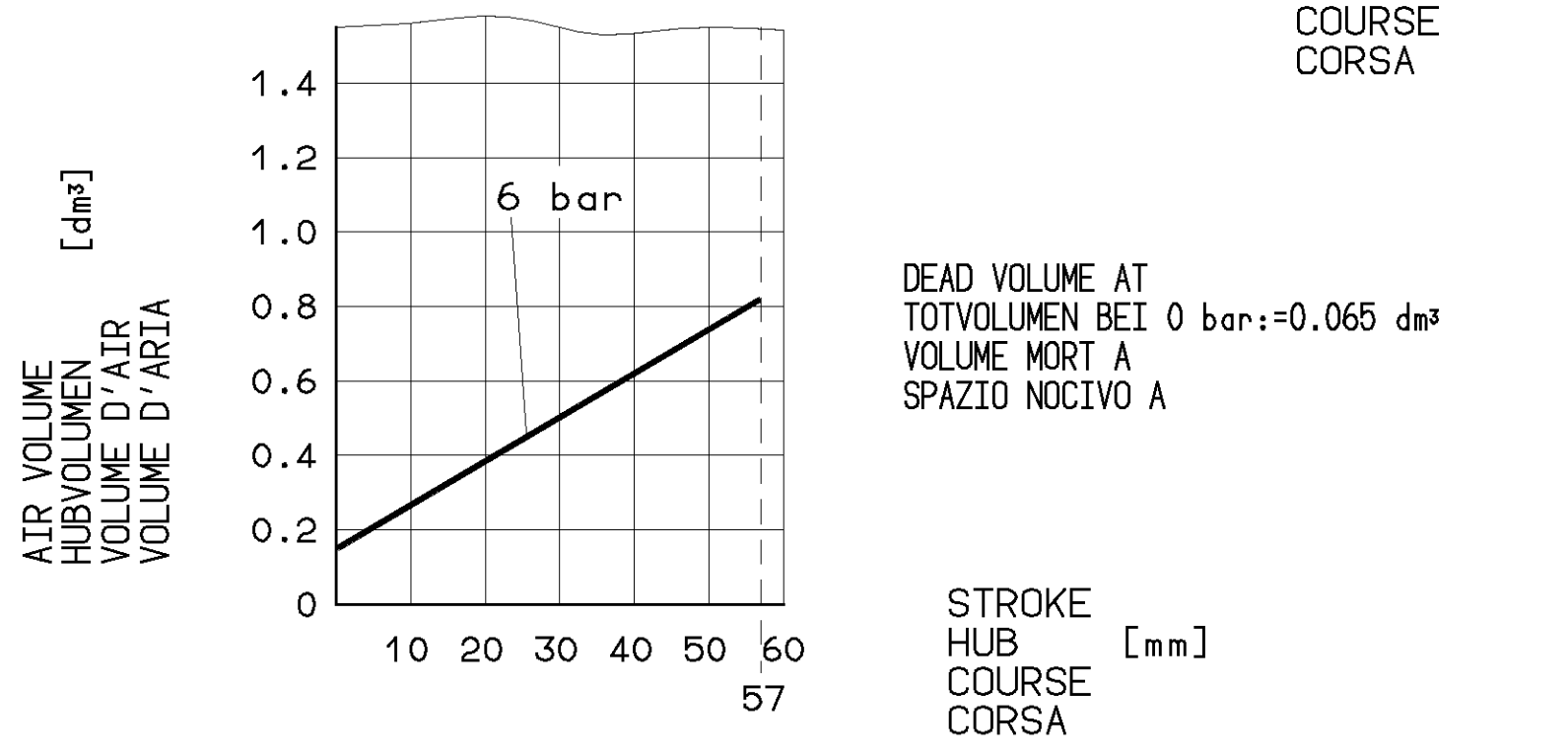
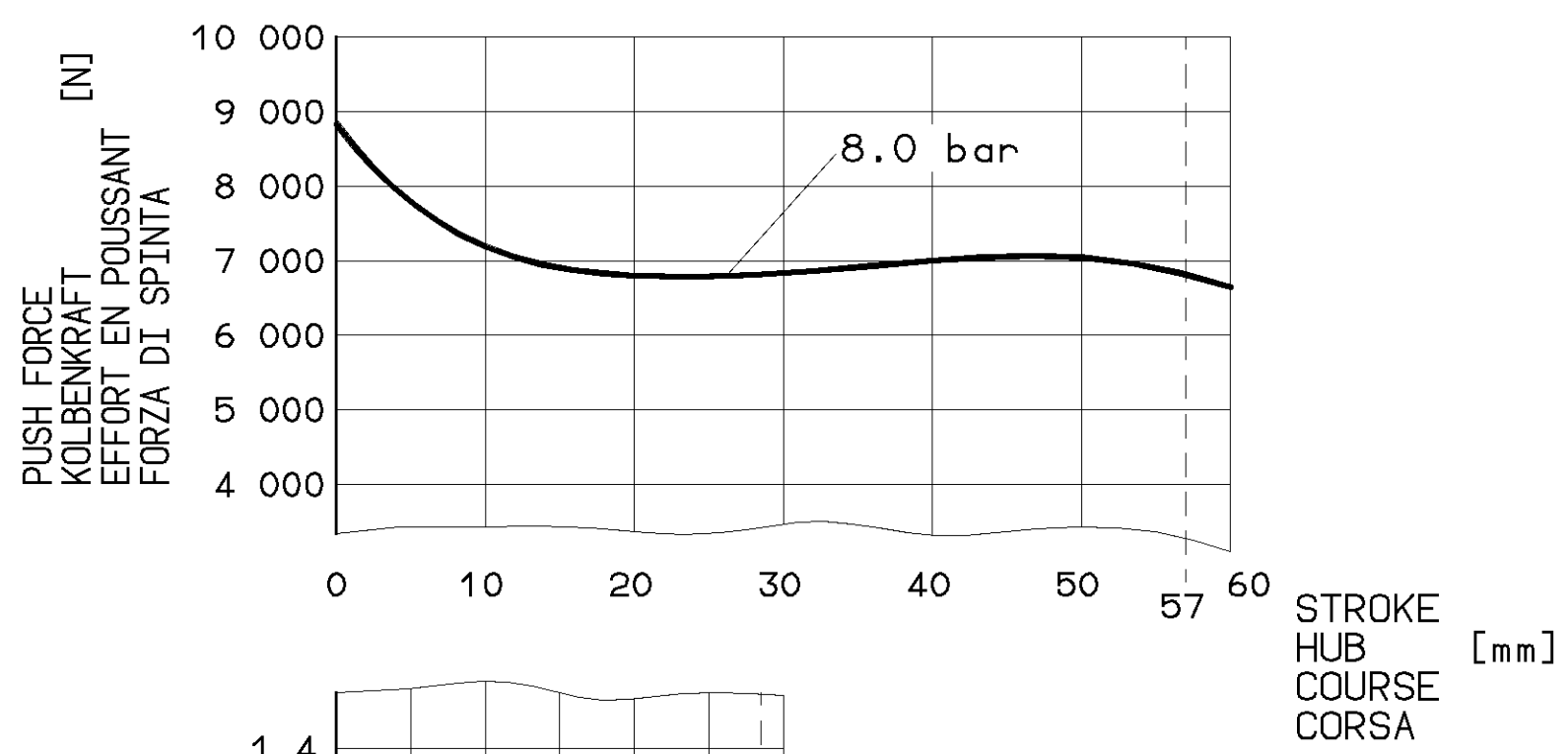
FORCE OF RETURN SPRING : 250 ±25 N  
 RUECKSTELTKRAFT DER FEDER :  
 EFFORT DURESSORTDE RAPPEL :  
 FORZA DELLA MOLLA RITORNO :  
 THERMAL RANGE OF APPLICATION : -40 °C..+80 °C  
 THERMISCHER ANWENDUNGSBEREICH :  
 GAMME D'APPLICATION THERMIQUE :  
 CAMPO DI APPLICAZIONE TERMICA :  
 MEDIUM : AIR  
 MEDIUM : LUFT  
 FLUIDE : AIR  
 FLUIDO : ARIA  
 SERVICE PRESSURE :  
 BETRIEBSDRUCK : Pe max.=10 bar  
 PRESSION DE SERVICE :  
 PRESSIONE DI ESERCIZIO :  
 (TEMPORARILY : Pe max.= 13 bar)  
 (KURZZEITIG :  
 (DE COURTE DUREE :  
 (BREVE TEMPO SOLO :

TO BE INSTALLED WITH LOWER BREATHER HOLE  
 IM EINBAUZUSTAND UNTERE ATMUNGSBOHRUNG  
 A MONTER AVEC LE RENIFLARD INFERIEUR  
 INSTALLAZIONE : CON IL FORO DI SFIATO INFERIORE ±30°  
 TO BE INSTALLED WITH LOWER BREATHER HOLE OPEN  
 IM EINBAUZUSTAND UNTERE ATMUNGSBOHRUNG OFFEN  
 A MONTER AVEC LE RENIFLARD INFERIEUR OUVERT  
 INSTALLAZIONE : CON IL FORO DI SFIATO INFERIORE APERTO

BREATHER HOLE  
 ATMUNGSBOHRUNG 1x Ø 6  
 TROUS DE RENIFLANT  
 FORI DI RESPIRATORE

STROKE :  
 HUB : 57 mm  
 COURSE :  
 CORSA :

ADMISSIBLE INSTALLATION POSITION  
 ZULAESSIGE EINBAULAGE  
 POSITION D'INSTALLATION ADMISE  
 POSIZIONE DI MONTAGGIO AMMESSA +90° -30°



GENERAL SPECIFICATION: JED-334		CADAM-DRAWING COPYRIGHT				
FURTHER TECHNICAL DATA:		DATE: SIGNATURE:				
DOC. CODE:	SHEET: TO:	98-07-30	MUELLER			
GENERAL TOLERANCES		CHECKED:				
RANGE OF NOMINAL DIMENSIONS (± mm)		STANDARDIZATION:				
CLASS	1)	≤50	≤180	≤400	>400	± 3'
FINE		0,5	1,0	1,5	2,0	
MEDIUM	X	1,0	2,0	3,0	4,0	
COARSE		2,0	3,5	5,0	6,5	
TAPPED HOLES ACC. ISO 4039 / JED-162		070289	A	99-02-01		
1) TOLERANCE CLASS APPLIED CROSSMARKED		DOC-N°:	REV.:	DATE:		
		A 1	185			
		PRODUCT IDENTIFICATION NO. 423 114 030 0		DOC. CODE	SHEET	
		BRAKE CHAMBER 14		605	1/1	
		MEMBRANZYLINDER				
		VASE A DIAPHRAGME				
		BRAKE CHAMBER				
		SHAPE CODE		REPLACEMENT FOR		
		EXPERT CODE 71212		PRODUCT TYPE 010X		