

SURFACE PROTECT. OBERFL. SCHUTZ	
I	JED-739-3
II	JED-240-3
III	PHOSPHATED
IV	RUBBER / PLASTIC

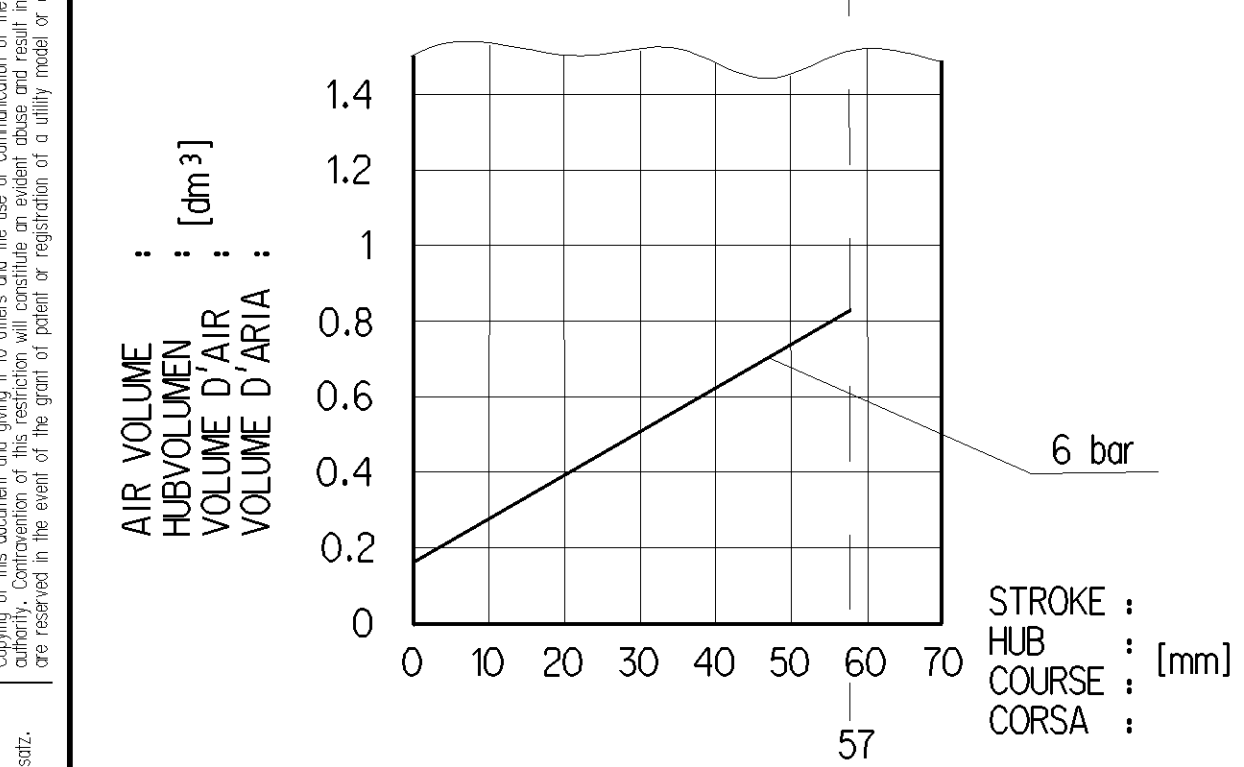
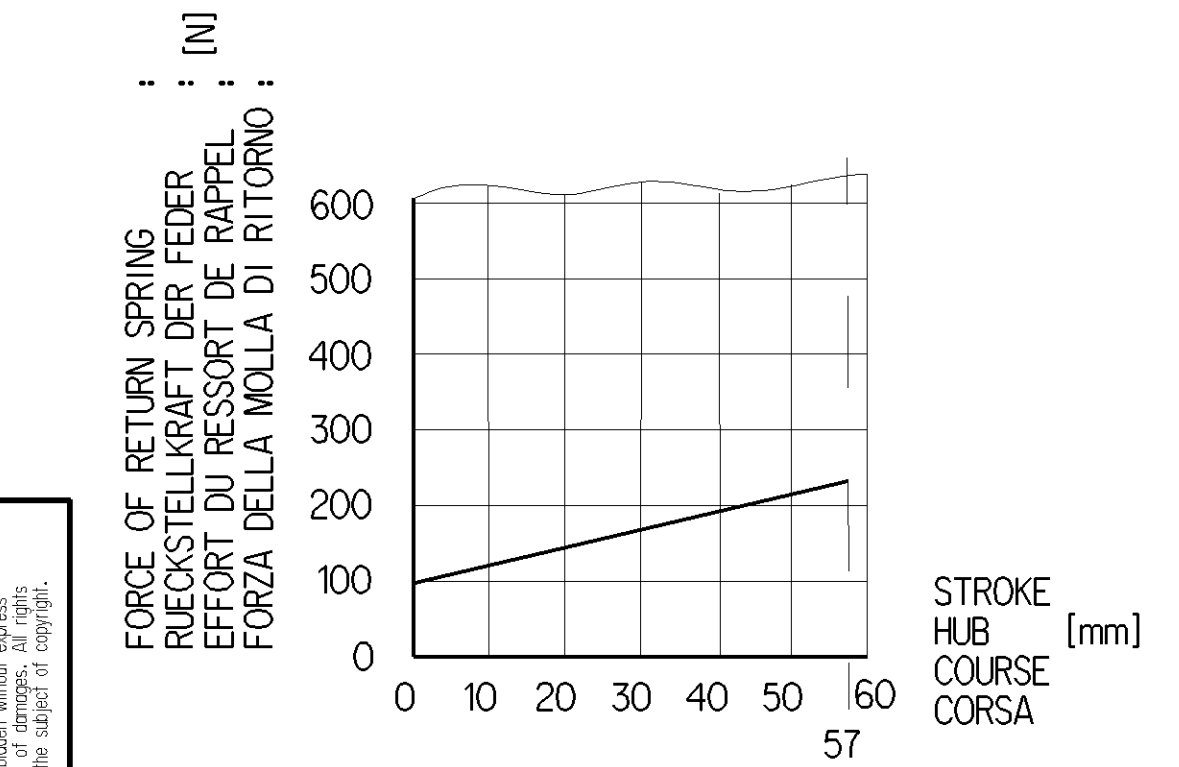
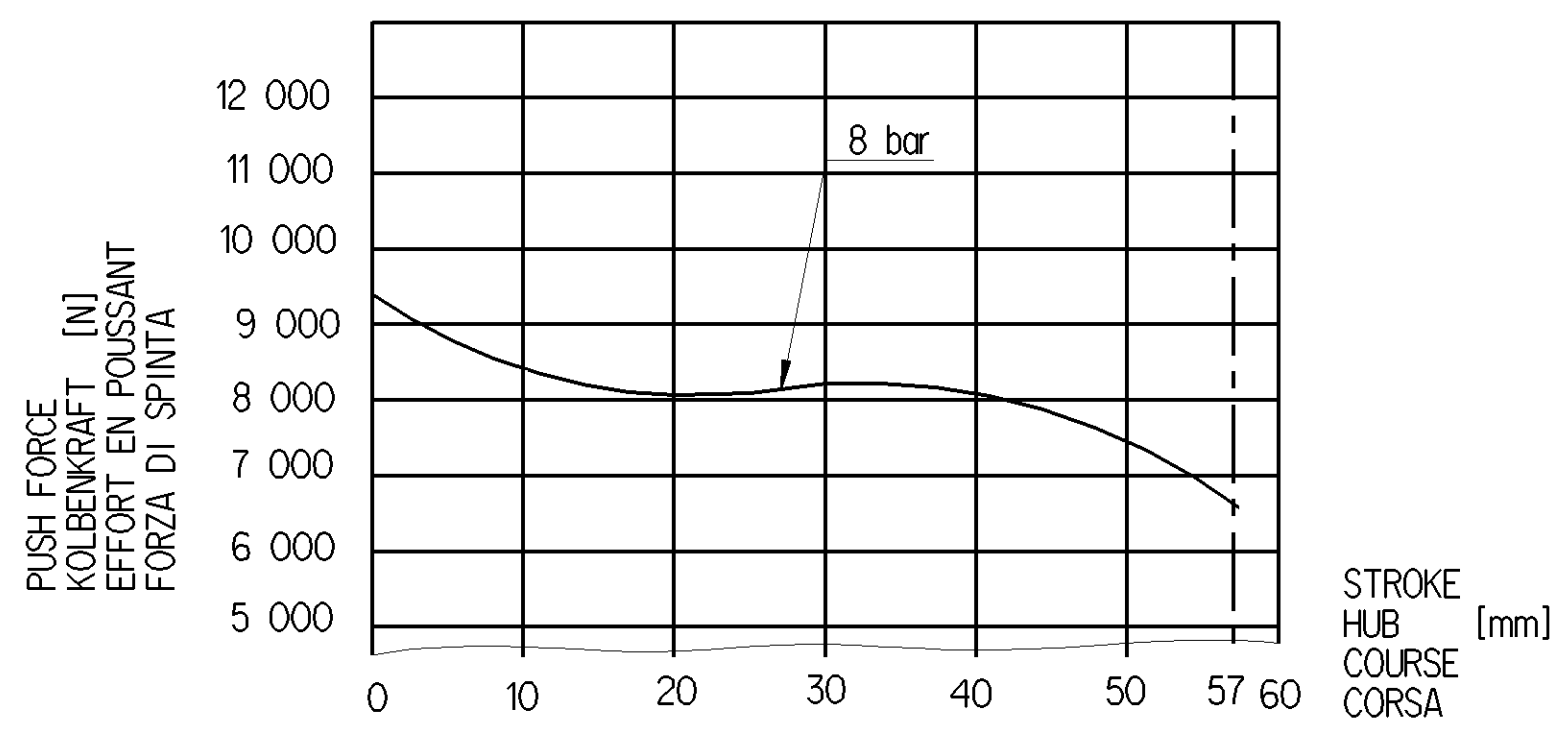
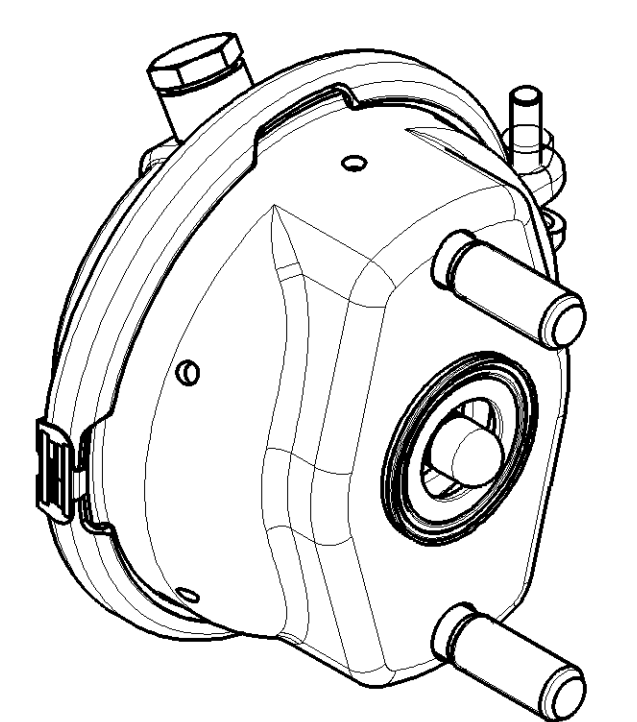
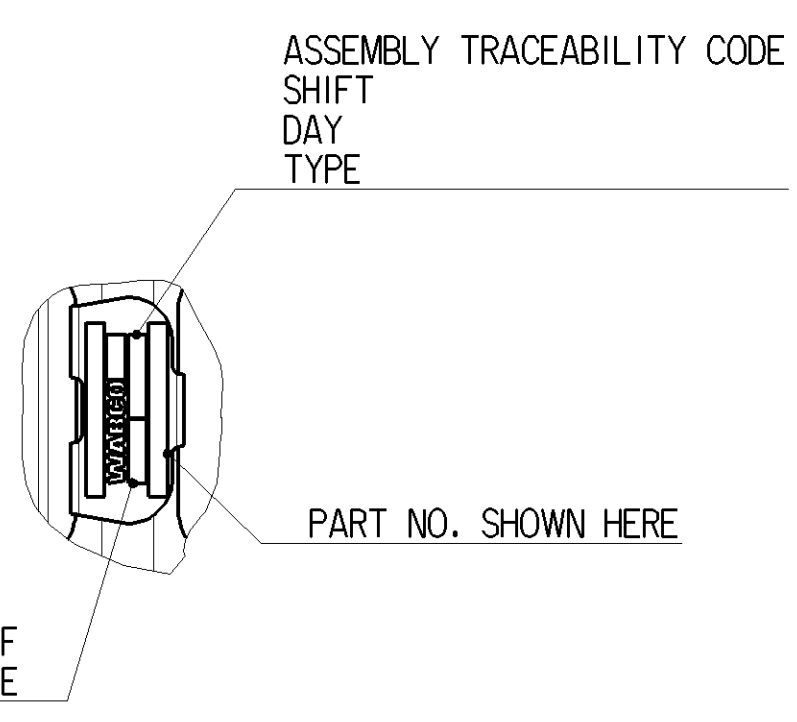
MEDIUM : AIR  
 MEDIUM : LUFT  
 FLUIDE : AIR  
 FLUIDO : ARIA

WIDTH ACROSS FLATS  
 SW- SCHLUESSELWEITE  
 SURPLATS  
 LARGHEZZA IN CHIAVE

SEALING SURFACE  
 DICHTFLAECHE  
 SURFACE D'ETANCHEITE  
 SUPERFICII DI TENUTA

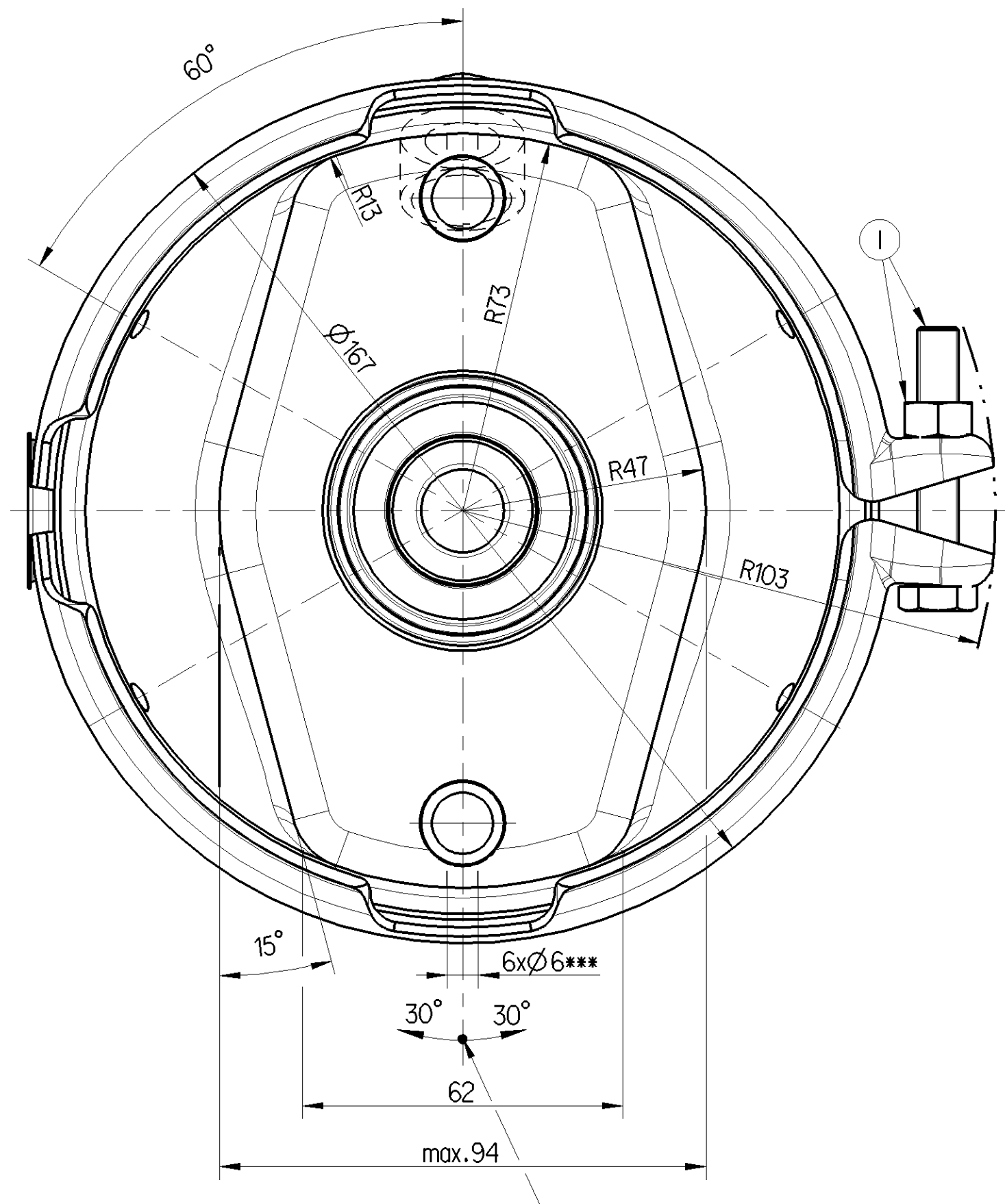
DEFLECTION : AT STROKE  
 AUSLENKUNG : BEI HUB  
 DEFLEXION : max. 8° A COURSE  
 DEVIAZIONE : A CORSA

OPEN BREATHER HOLE  
 \*\*\* OFFEN ATMUNGSBOHRUNG  
 OUVERT TROU RENIFLEUR  
 APERTO FORO RESPIRATORE



DEAD VOLUME AT  
 TOTVOLUME BEI  
 VOLUME NORT A  
 SPAZIO NOCIVO A

0 bar = 0.72 dm<sup>3</sup>

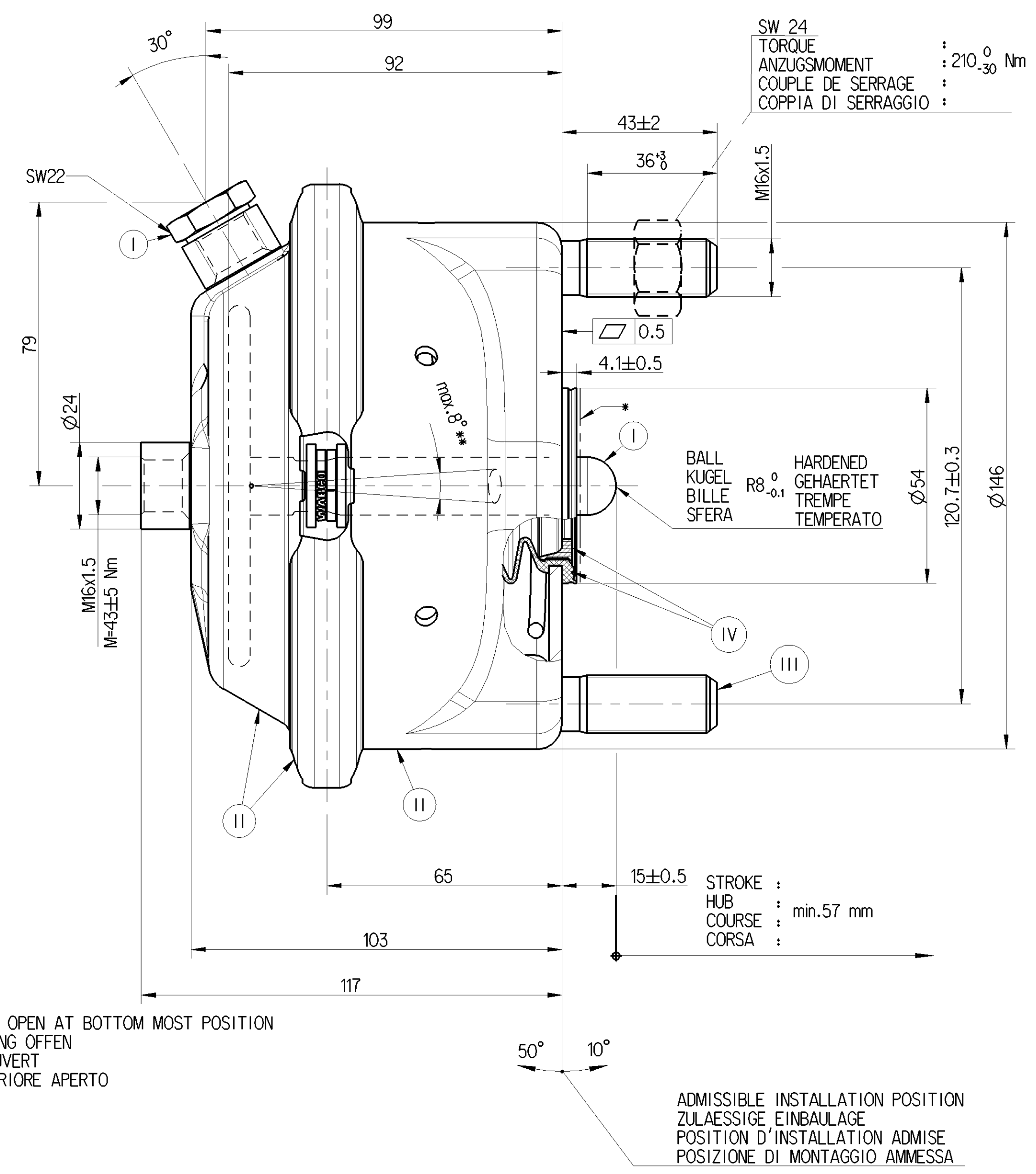


TO BE INSTALLED WITH THE BREATHER HOLE OPEN AT BOTTOM MOST POSITION  
 IM EINBAUZUSTAND UNTERE A ATMUNGSBOHRUNG OFFEN  
 A MONTER AVEC LE RENIFLEUR INFERIEUR OUVERT  
 INSTALLAZIONE CON IL FORO DI SFIAATOINFERIORE APERTO

THERMAL RANGE OF APPLICATION :  
 THERMISCHER ANWENDUNGSBEREICH : -40°C...+80°C  
 GAMME D'APPLICATION THERMIQUE :  
 CAMPO DI APPLICAZIONE TERMICA :

SERVICE PRESSURE :  
 BETRIEBSDRUCK : Pe max. = 10.2 bar  
 PRESSION DE SERVICE :  
 PRESSIONE DI ESERCIZIO :

(TEMPORARILY)  
 (KURZZEITIG) : Pe max. = 13 bar  
 (DE COURTE DUREE)  
 (BREVE TEMPO SOLO) :



GRAPHS FOR INFORMATION ONLY  
 DIAGRAMME NUR ZUR INFORMATION  
 DIAGRAMMES POUR INFORMATION SEULEMENT  
 DIAGRAMMI SOLO A SCOPO INFORMATIVO

General Specifications: JED-334-0 - Size ISO 14405-1 E		Copyright WABCO®	
Further Technical Data: 423 504 760 0		Date	Signature
Doc. Code: 035	Sheet: 1 To 5	2014-03-24	VIGNESH
General Tolerances JED-261		2014-03-24	Arangrasan
Range of Nominal Dimensions ( ± mm)		Expert	
Class	1)	< 50	50 > 180
		180 < 400	> 400
Fine		0.5	1.0
		1.5	2.0
Medium	X	1.0	2.0
		3.0	4.0
Coarse		2.0	3.5
		5.0	6.5
Tapped Holes acc. JED-162		Material No.	
1) Tolerance Class Applied Crossmarked		BIERNATOWSKI LUKASZ	
Mass		Scale	Date of first issue: 2014-03-24
3.0		1:1	Doc.Code Language Sheet
A 1		Pro/E	423 504 760 0
ECN No.		Revision	005 ML 1/1
5350		Techn. Resp.	Replacement for

Note e permesso consegnare a terzi o riprodurre questo documento, ne utilizzarne il contenuto o renderlo comunque noto a terzi senza permesso scritto dalla WABCO. Il presente documento è riservato e non deve essere distribuito o copiato senza permesso scritto dalla WABCO. Toute communication ou reproduction de ce document, toute exploitation ou communication de son contenu sont interdites, sauf autorisation écrite de la WABCO. Toute utilisation non autorisée de ce document est formellement interdite. All rights reserved. No part of this document may be reproduced, stored in a retrieval system, or transmitted, in any form or by any means, electronic, mechanical, photocopying, recording, or by any information storage and retrieval system, without prior written permission from WABCO.