

SURFACE PROTECT. OBERFL. SCHUTZ		MEDIUM : AIR MEDIUM : LUFT FLUIDE : AIR FLUIDO : ARIA	WIDTH ACROSS FLATS SW SCHLUESSELWEITE SURPLATS LARGHEZZA IN CHIAVE
I	JED-240-3		
II	JED-256-1		
III	JED-371		
IV	GUMMI / KUNSTSTOFF	THERMAL RANGE OF APPLICATION : THERMISCHER ANWENDUNGSBEREICH : -40°C...+80°C GAMME D'APPLICATION THERMIQUE : CAMPO DI APPLICAZIONE TERMICA :	
V	JED-240-2		

SERVICE PRESSURE :
BETRIEBSDRUCK :
PRESSION DE SERVICE :
PRESSIONE DI ESERCIZIO :

(TEMPORARILY :
KURZZEITIG :
DE COURTE DUREE :
BREVE TEMPO SOLO :

Pe max. = 10.2 bar
Pe max. = 13 bar

SEALING SURFACE
DICHTFLAECHE
SURFACE D'ETANCHEITE
SUPERFICI DI TENUTA

DEFLECTION:
AUSLENKUNG:
DEFLEXION:
DEVIAZIONE:

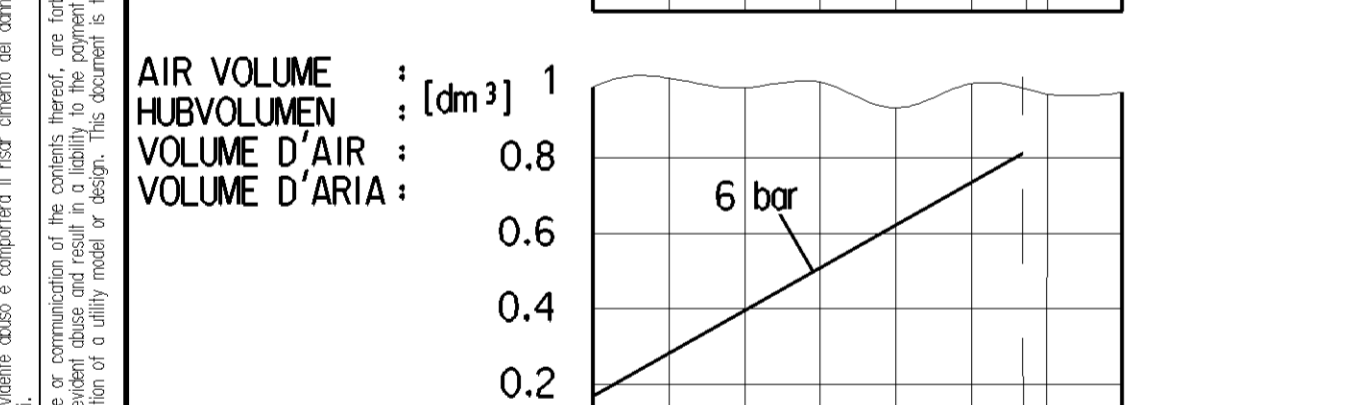
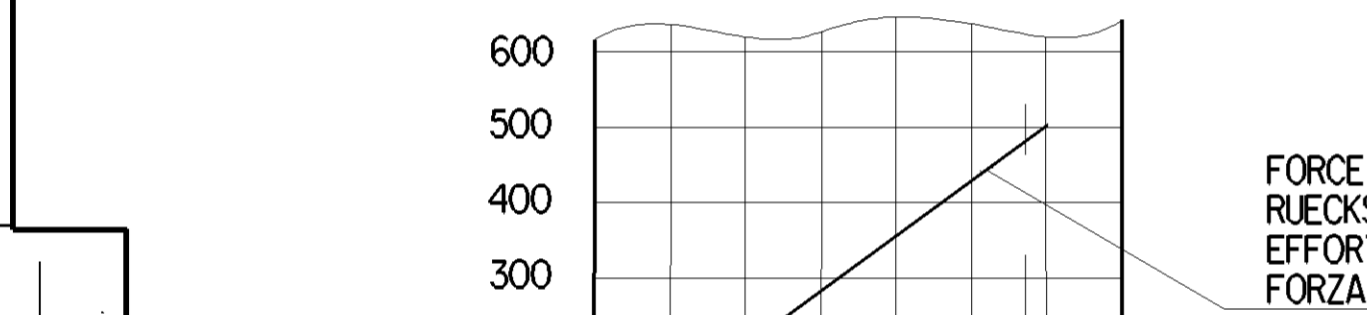
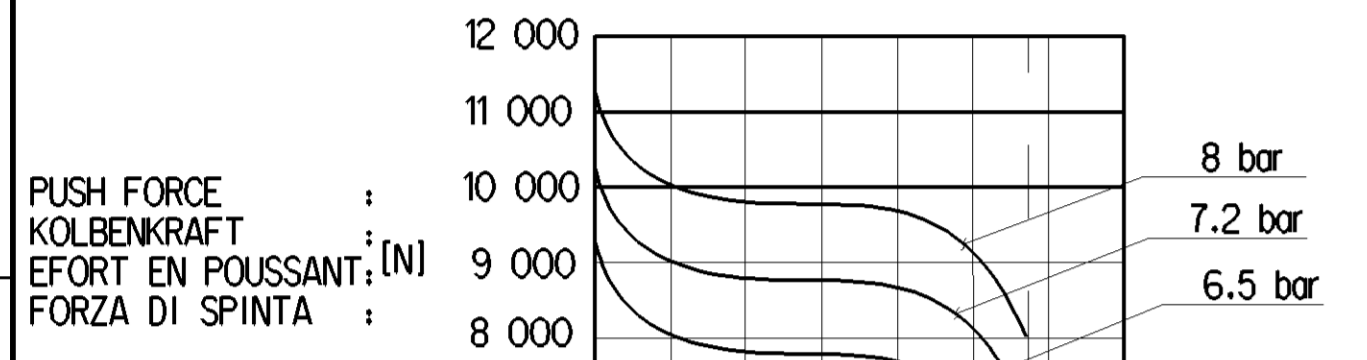
AT STROKE
BEI HUB
A COURSE
A CORSA

0 mm

OPEN BREATHER HOLE
OFFEN ATMUNGSBOHRUNG
OUVERT TROU RENIFLEUR
APERTO FORO RESPIRATORE

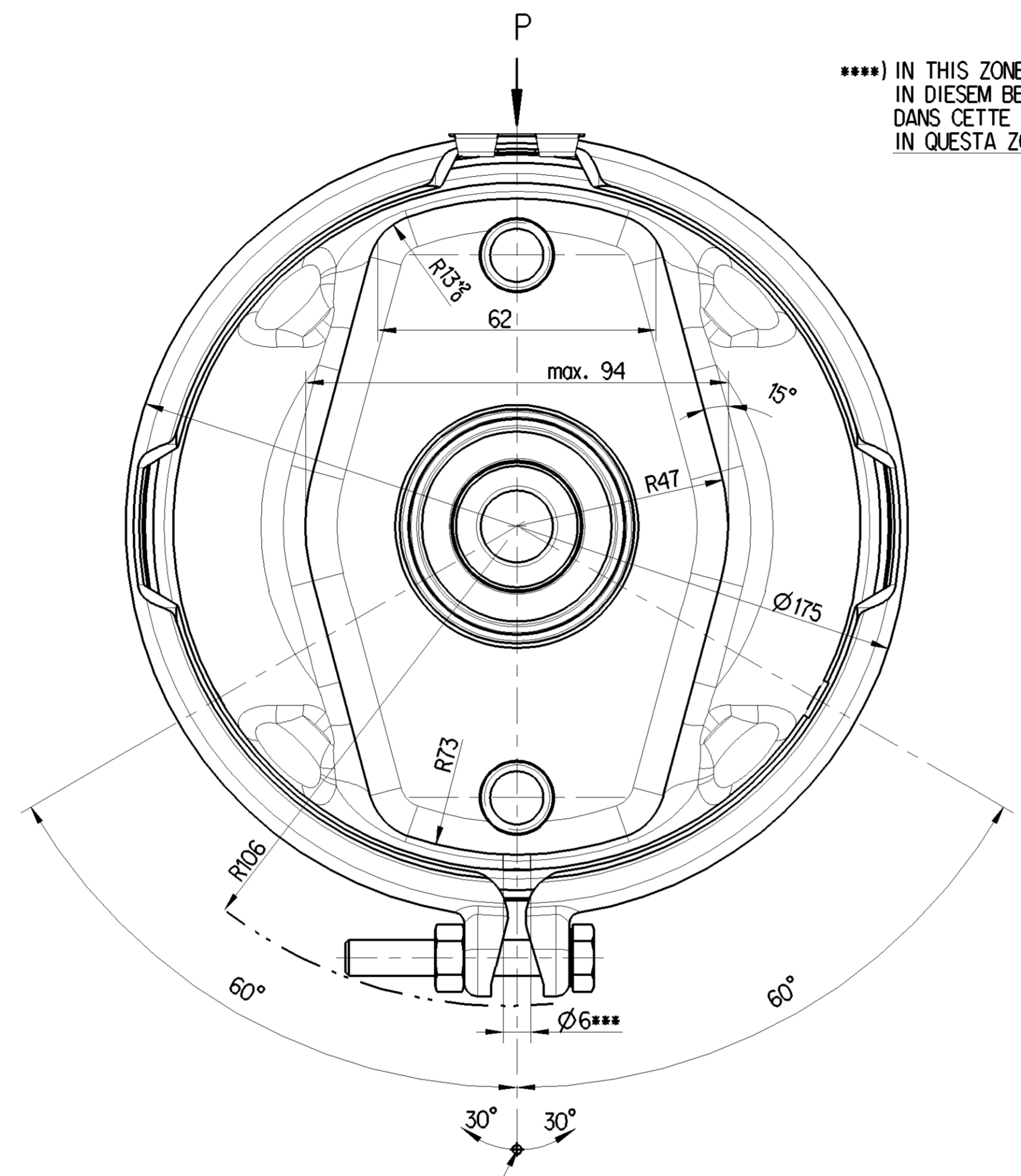
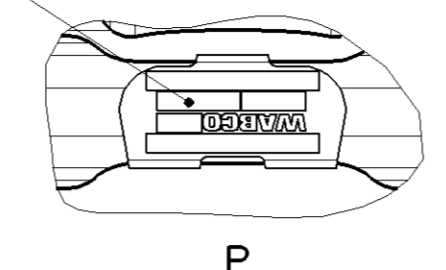
DEAD VOLUME AT :
TOTVOLUMEN BEI :
VOLUME MORT A :
SPAZIO NOCIVO A :

0 bar = 0.072 dm³



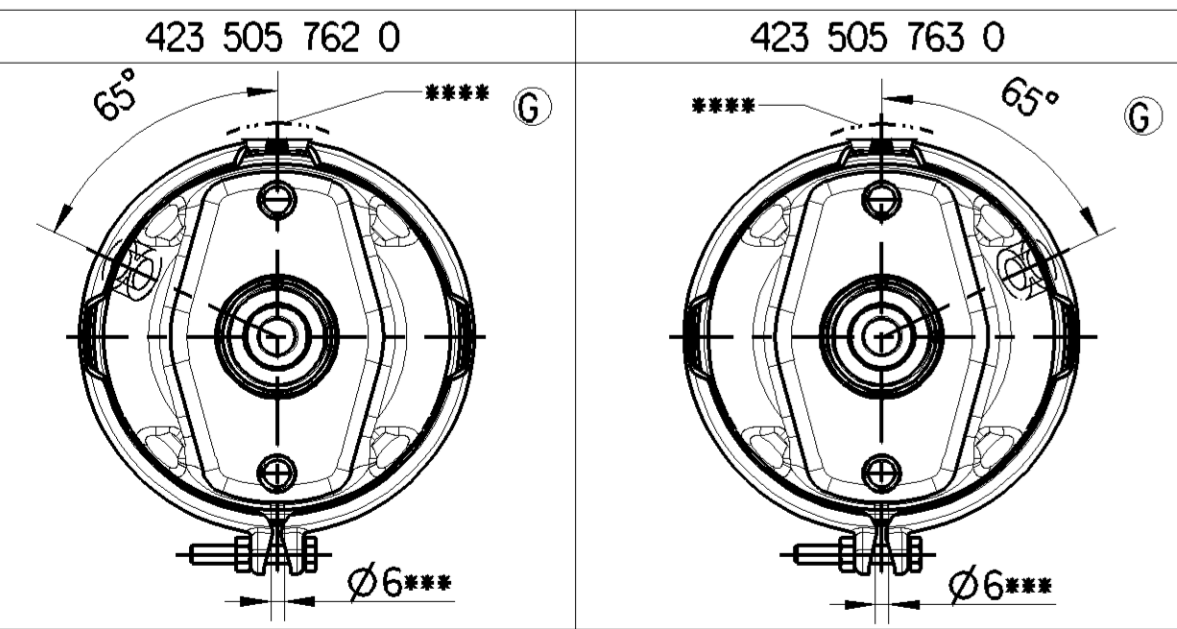
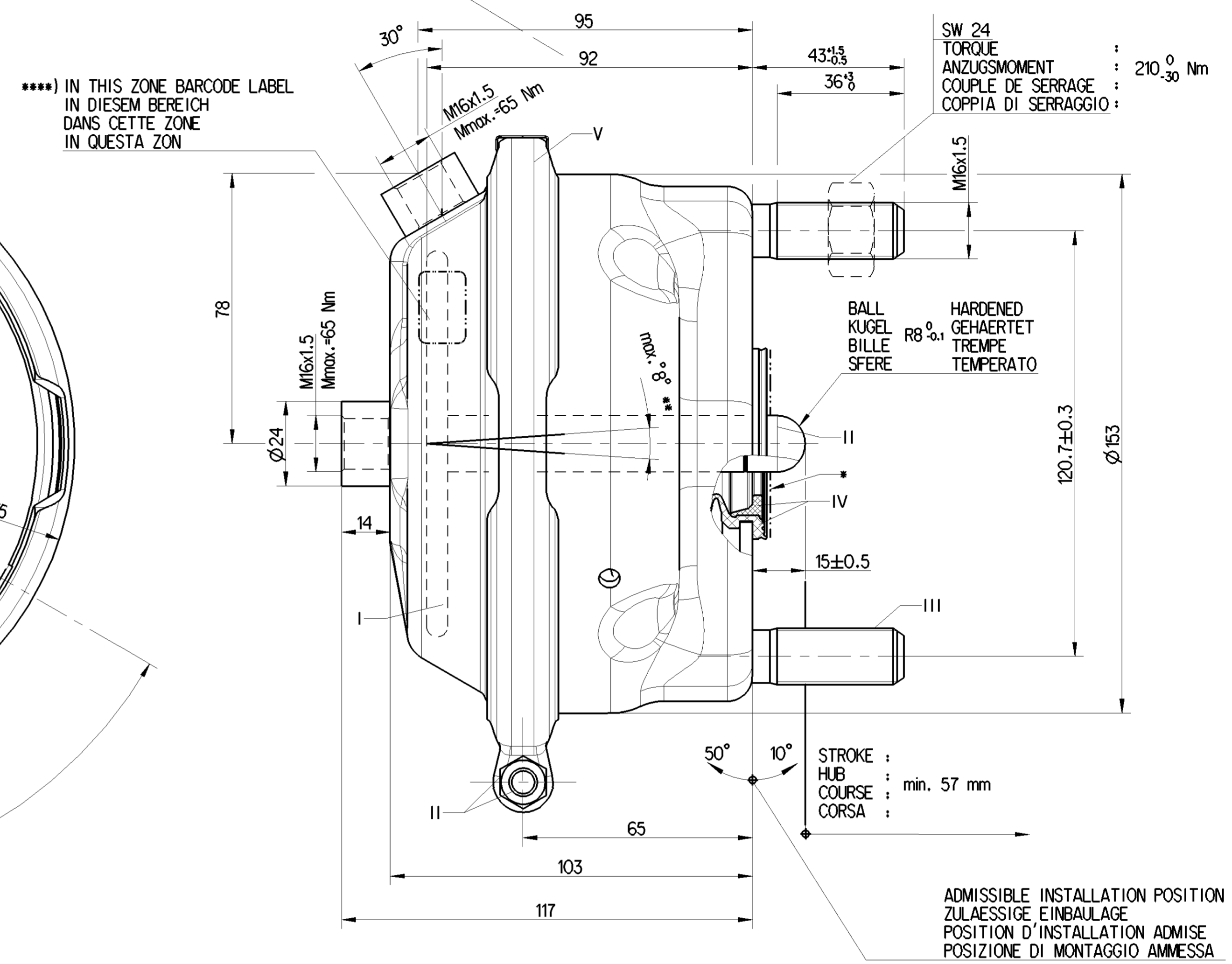
STROKE :
HUB
COURSE :
CORSA :
57 [mm]

TYPE DESIGNATION
TYPENBEZEICHNUNG
TYPE
TIPO DI DESIGNAZIONE



TO BE INSTALLED WITH LOWER BREATHER HOLE OPEN
IM EINBAUZUSTAND UNTERE ATMUNGSBOHRUNG OFFEN
A MONTER AVEC LE RENIFLARD INFERIEUR OUVERT
INSTALLAZIONE: CON IL FORO DI SFIATO INFERIORE APERTO

THEORETICAL SWIVEL POINT OF THE PUSH ROD
THEOR. SCHWENKPUNKT DER DRUCKSTANGE
CENTRE D'ARTICULATION THEORIQUE DE LA TIGE
CENTRO D'ARTICOLAZIONE TEORICO DELL'ASTA



MAIN VIEWS REFER TO DIMENSIONS ONLY
POSITION OF COMPONENTS SEE REPRESENTATION OF VARIANTS

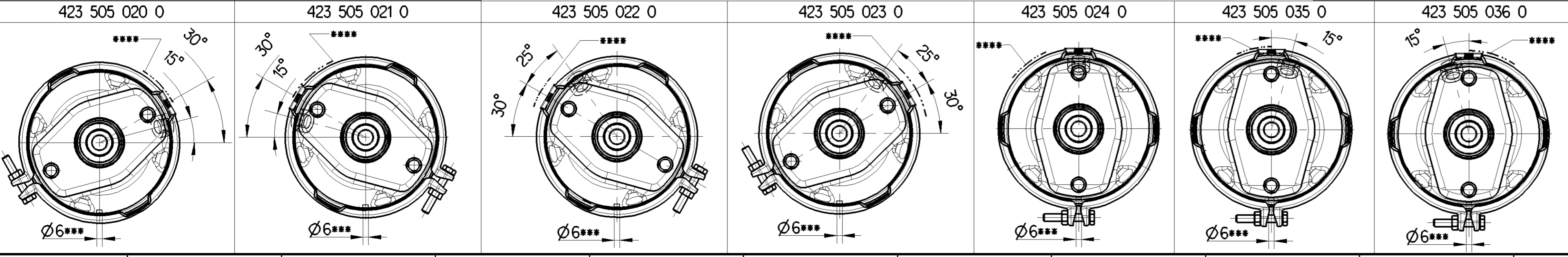
HAUPTANSICHTEN BEZIEHEN SICH NUR AUF DIE ABMESSUNGEN
POSITION DER BAUTEILE SIEHE ABWANDLUNGSDARSTELLUNGEN

VUES PRINCIPALES CONCERNENT LES DIMENSIONS SEULEMENT
POSITION DES COMPOSANTS VOIR DESSIN DE LA VARIANTE

VISITE PRINSIPALI RIGUARDANO DIMENSIONI SOLAMENTE
POSIZIONE DELLE COMPONENTI VERDERE DISEGNO DI VARIANTE

⑥	423 505 763 0	2295116
⑥	423 505 762 0	2295115
	423 505 036 0	2123466
	423 505 035 0	2123465
	423 505 024 0	1392260
	423 505 023 0	1392233
	423 505 022 0	1392232
	423 505 021 0	1373678
	423 505 020 0	1373677

WABCO DAF
CUSTOMER'S NO.
KUNDEN-NR.
No. CLIENT
No. CLIENTE



General Specification: JED-334-1, Size ISO 14405 LP		Copyright WABCO®	
Further Technical Data:		Date: 2020-12-15	Signature: S J
Doc. Code:	Sheet: To	Checked: Senhikumar	Expert: Senhikumar
General Tolerances JED-261			
Range of Nominal Dimensions (± mm)			
Class	1)	≤ 50	50 > 180
Fine	X	1.0	1.5
Medium	X	2.0	3.0
Coarse	X	3.5	5.0
		4.0	6.5
		±3°	
Mass	Scale	Material No.	
3.2	1:1	423 505 029 0	
Size	CAD System	Doc. Code	Language
A 1	CREO	053	ML
Tapped Holes acc. JED-152		Revision	Techn. Resp.
1) Tolerance Class Applied Crossmarked		4x	G 5350
		Date of first issue:	2016-03-03
		Replacement for	

Non è permesso copiare o riprodurre questo documento, né utilizzare il contenuto o i materiali contenuti in esso, senza permesso scritto dalla WABCO. È vietata espressamente la ristampa o l'uso non autorizzato di questo documento. Toute réimpression ou utilisation non autorisée sans la permission écrite de la WABCO est formellement interdite. Toute utilisation non autorisée sera considérée comme une violation des droits de propriété intellectuelle. All rights reserved. No part of this document may be reproduced or transmitted in any form or by any means electronic or mechanical, including photocopying and recording, or by any information storage or retrieval system, without the prior written permission of WABCO.