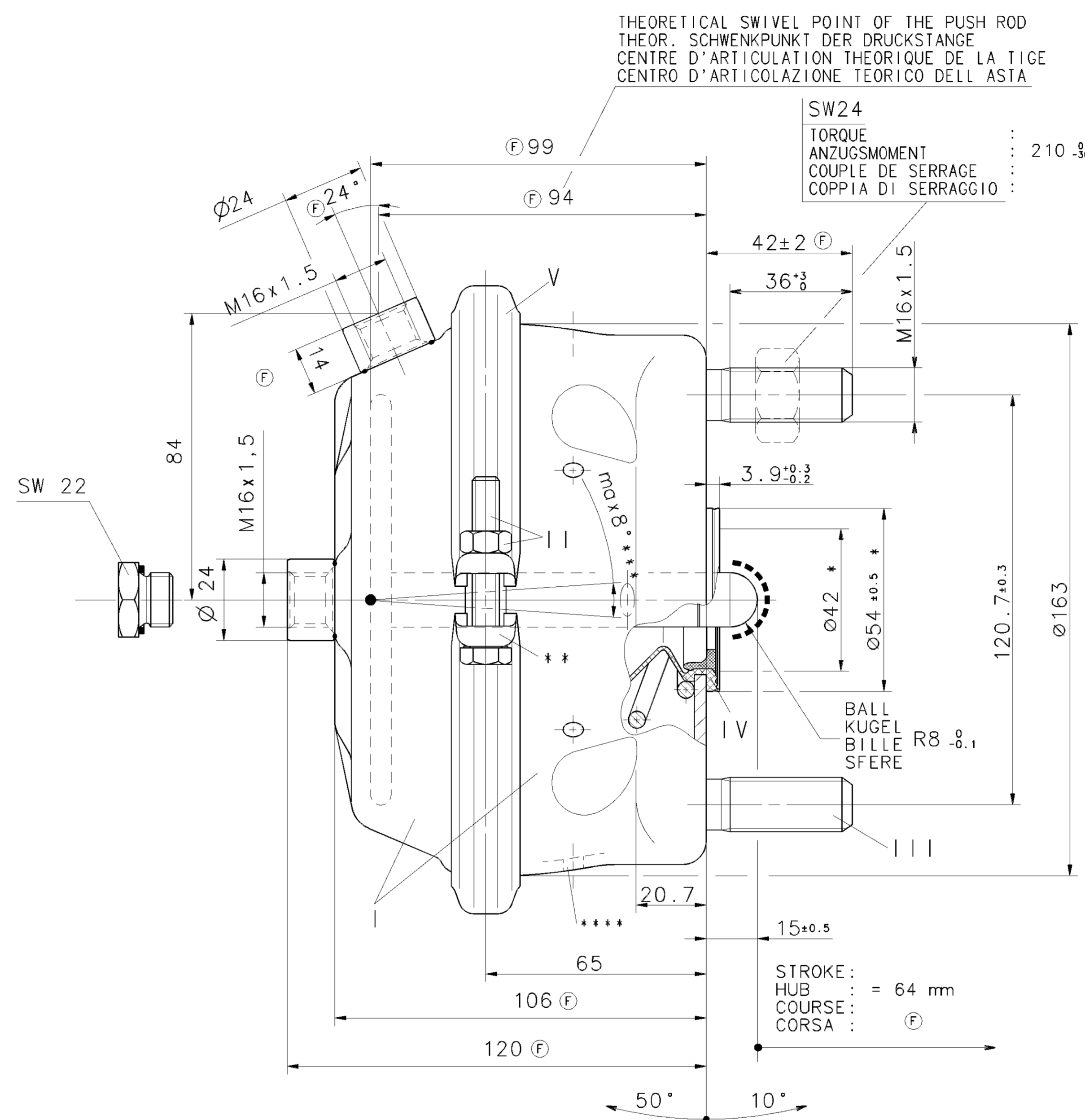
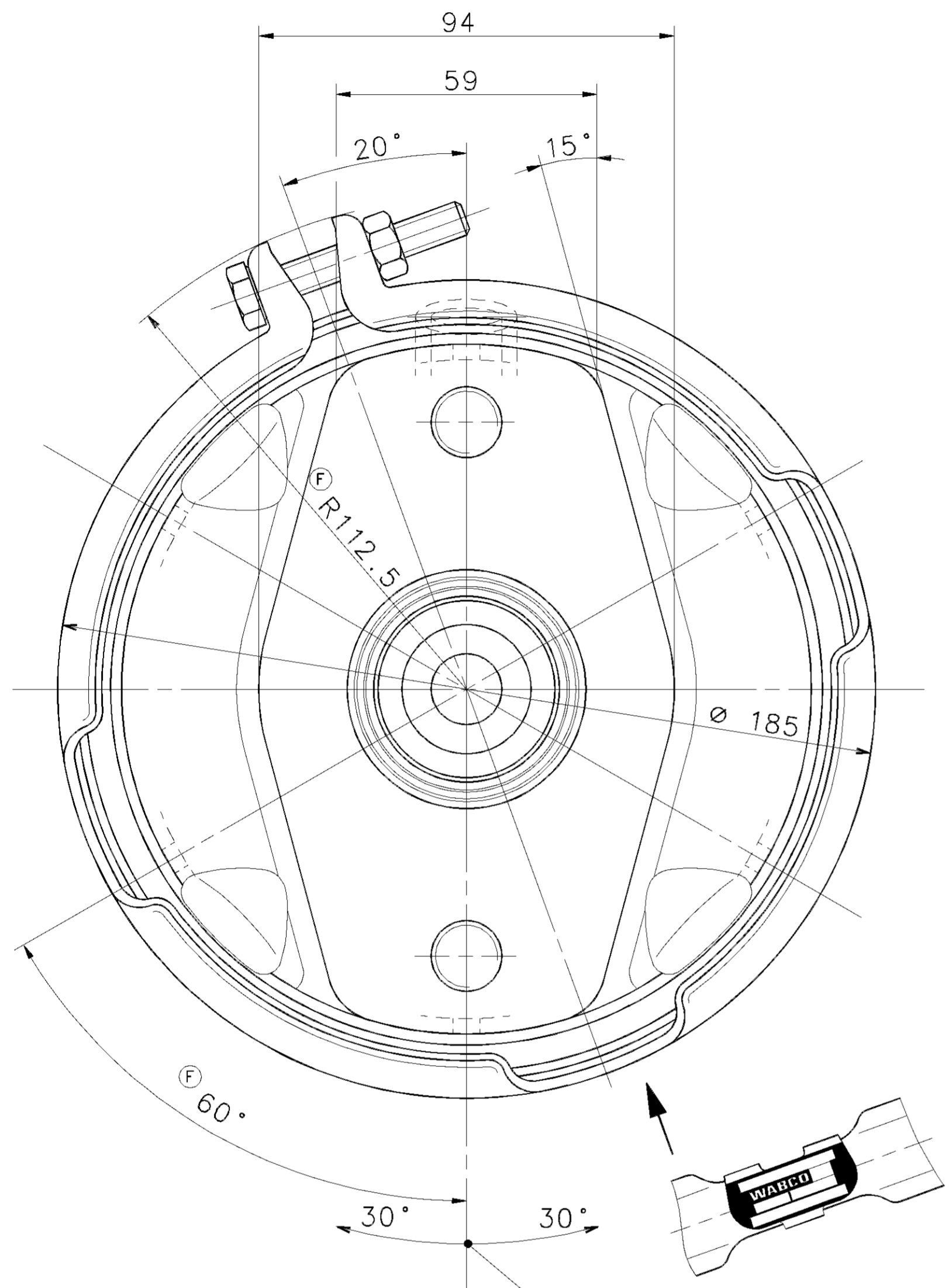


I	JED-240-3
II	JED-256-1
III	JED-371
IV	GUMMI / KUNSTSTOFF
V	JED-240-2



- *) SEALING SURFACE
DICHTFLAECHE
SURFACE D' ETANCHEITE
SUPERFICI DI TENUTA
- **) OUT OF PLANE
VERSETZT GEZEICHNET
AU DEHORS DU PLAN DE PROJECTION
AL DI FUORI DEL PIANO DI PROIEZIONE
- ***) DEFLECTION:
AUSLENKUNG: max .8° BEI HUB 0 mm
DEFLEXION: A COURSE
DEVIAZIONE: A CORSA
- SW= WIDTH ACROSS FLATS
SCHLUESSELWEITE
SURPLATS
LARGHEZZA IN CHIAVE
- HARDENET
GEHAERTET
TEMPERE
TEMPERATO
- ⊕ 6 OPEN BREATHER HOLE
6 OFFEN ATMUNGSBOHRUNG
6 OUVERT TROU RENIFLEUR
6 APERTO FORO RESPIRATORE

TO BE INSTALLED WITH LOWER BREATHER HOLE OPEN
IM EINBAUZUSTAND UNTERE ATMUNGSBOHRUNG OFFEN
A MONTER AVEC LE RENIFLARD INFÉRIEUR OUVERT
INSTALLAZIONE: CON IL FORO DI SFIATO INFERIORE APERTO

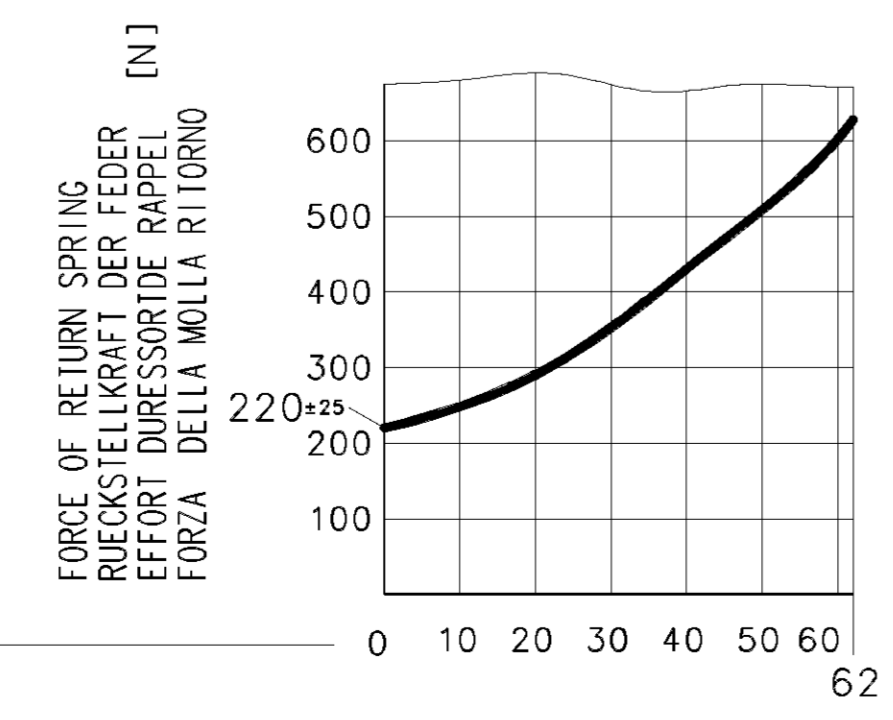
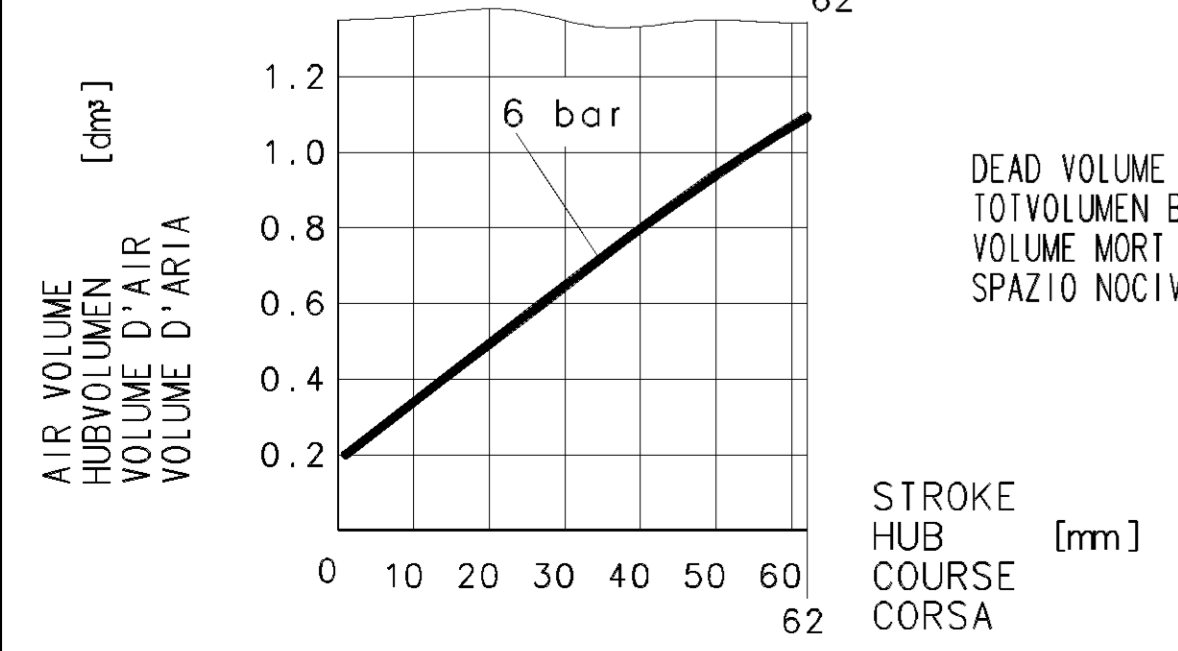
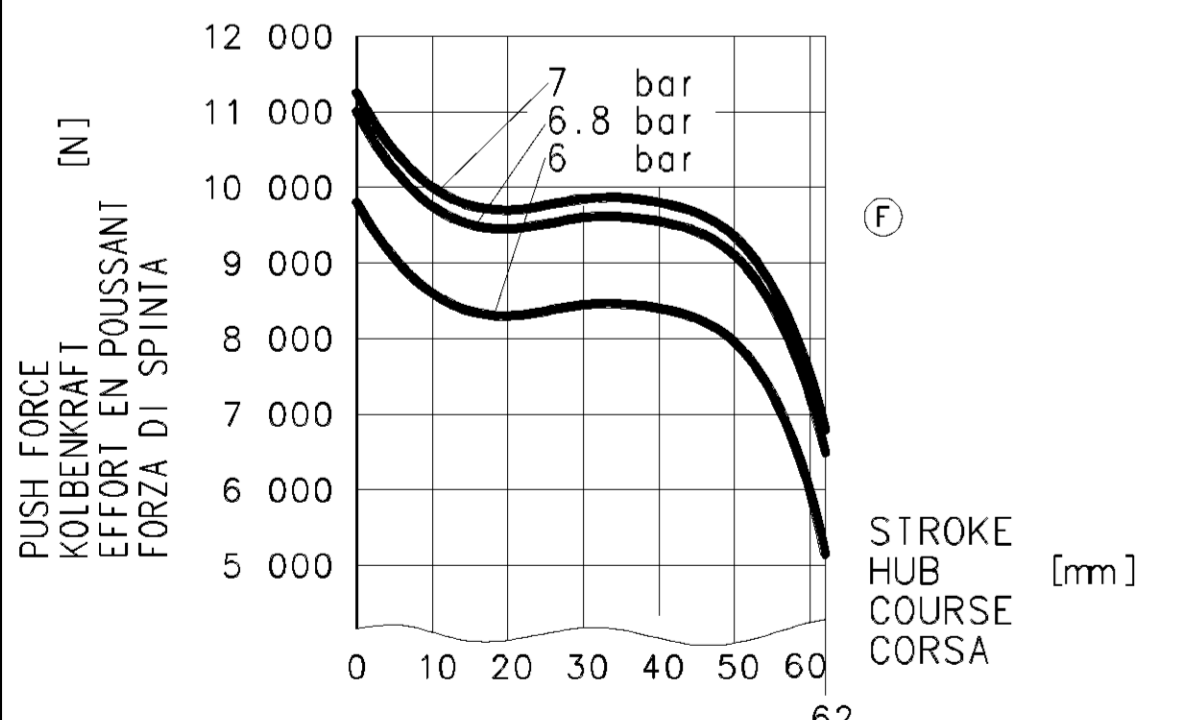
ADMISSIBLE INSTALLATION POSITION
ZULAESSIGE EINBAULAGE
POSITION D'INSTALLATION ADMISE
POSIZIONE DI MONTAGGIO AMMESSA

THERMAL RANGE OF APPLICATION :
THERMISCHER ANWENDUNGSBEREICH : -40 °C..+80 °C
GAMME D'APPLICATION THERMIQUE :
CAMPO DI APPLICAZIONE TERMICA :

MEDIUM : AIR
MEDIUM : LUFT
FLUIDE : AIR
FLUIDO : ARIA

SERVICE PRESSURE :
BETRIEBSDRUCK : Pe max. = 10.2 bar
PRESSION DE SERVICE :
PRESSIONE DI ESERCIZIO :

(TEMPORARILY :
(KURZZEITIG : Pe max. = 13 bar)
(DE COURTE DUREE :
(BREVE TEMPO SOLO :



TOUTE COMMUNICATION DE REPRODUCTION DE CE DOCUMENT, TOUTE EXPLOITATION OU COMMUNICATION DE SON CONTENU, NON LE PERMISSE CONSCIENCE A TITRE DE REPRODUCTION (SAUF DOCUMENTS) NE UTILISERAI PAS LE CONTENU O REN-...
ALLE REPRODUKTIONEN VON DIESER ZEICHNUNG O VON IHRER INHALTSANGABE OHNE ZUERST DEN ERSTELLENDE ZU INFORMIEREN, SIND VERBOTEN.
TODAS LOS DERECHOS RESERVADOS. ESTE DOCUMENTO NO DEBE SER REPRODUCIDO NI UTILIZADO SIN EL CONSENTIMIENTO PREVIO DEL DISEÑADOR.
ALL RIGHTS RESERVED. THIS DOCUMENT IS THE PROPERTY OF WABCO. ANY REPRODUCTION OR USE OF THIS DOCUMENT WITHOUT THE WRITTEN PERMISSION OF WABCO IS PROHIBITED.
TODOS LOS DERECHOS RESERVADOS. ESTE DOCUMENTO NO DEBE SER REPRODUCIDO NI UTILIZADO SIN EL CONSENTIMIENTO PREVIO DEL DISEÑADOR.
ALL RIGHTS RESERVED. THIS DOCUMENT IS THE PROPERTY OF WABCO. ANY REPRODUCTION OR USE OF THIS DOCUMENT WITHOUT THE WRITTEN PERMISSION OF WABCO IS PROHIBITED.

423 506 001 0
WABCO
CUSTOMER'S NO. KUNDEN-NR. No. CLIENT No. CLIENTE
KZ.
ZGS
IDENTIFICATION

GENERAL SPECIFICATION: JED-334		
FURTHER TECHNICAL DATA:		
DOC. CODE:	SHEET: 10	
GENERAL TOLERANCES		
CLASS 1)	RANGE OF NOMINAL DIMENSIONS (± mm)	
	< 50	
	50 - 180	
	180 - 400	
	> 400	
CLASS 2)	0.5 1.0 1.5 2.0	
CLASS 3)	1.0 2.0 3.0 4.0	
CLASS 4)	2.0 3.5 5.0 6.5	
TAPPED HOLES ACC. ISO 4039 / JED-152		
DCN-NO.	REV.	DATE
064592	1x A	97-09-18

CADAM-SECURING COPYRIGHT	
DATE	SIGNATURE
97-08-14	ERTELT
CHECKED:	
STANDARDIZATION:	
PRODUCT IDENTIFICATION NO.	
423 506 001 0	
DOC. CODE	SHEET
605	1/1
REPLACEMENT FOR	