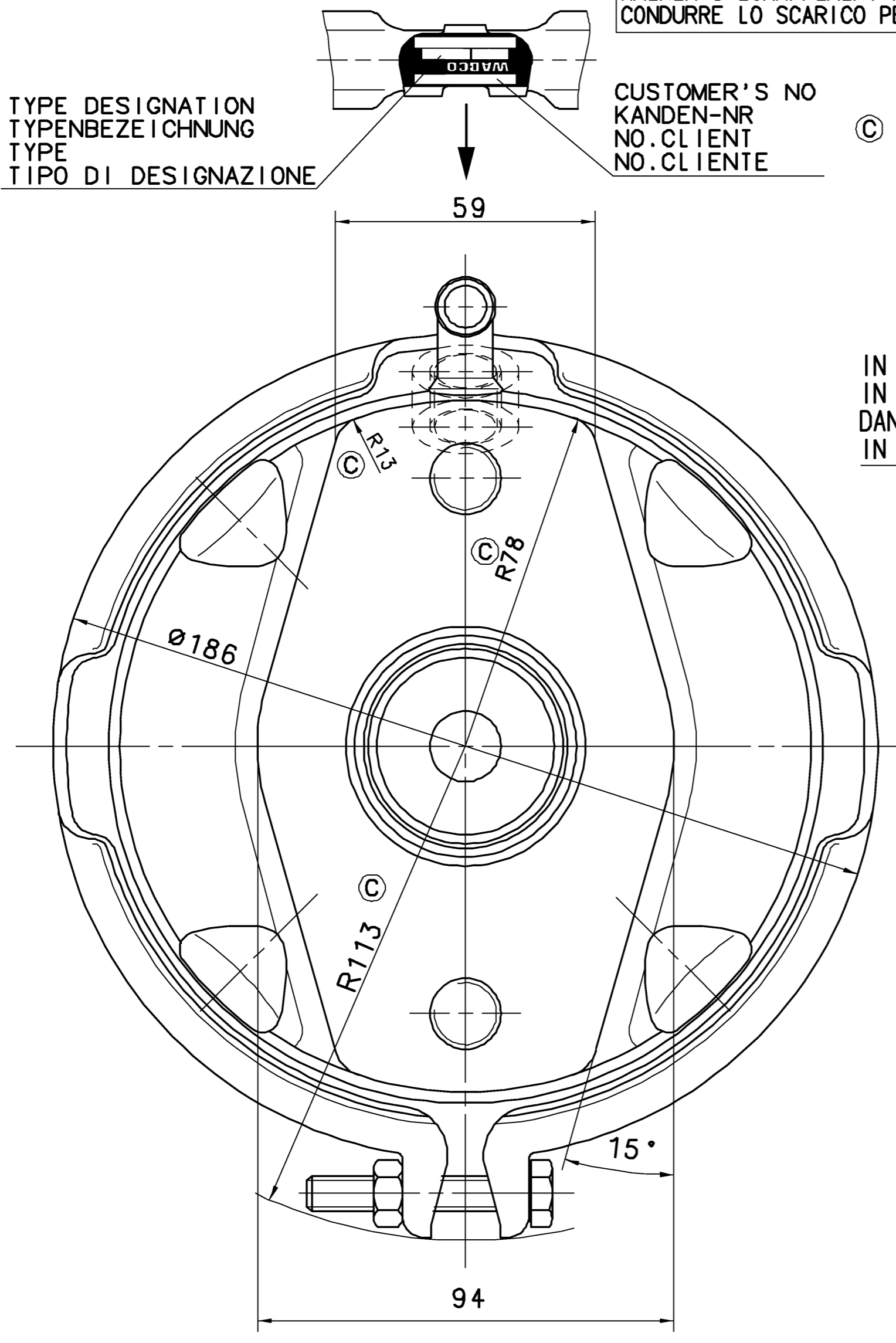


SURFACE PROTECT. / OBERFL. SCHUTZ	
I	JED-240-3
II	JED-256-1
III	JED-371
IV	RUBBER / PLASTIC
V	JED-240-2

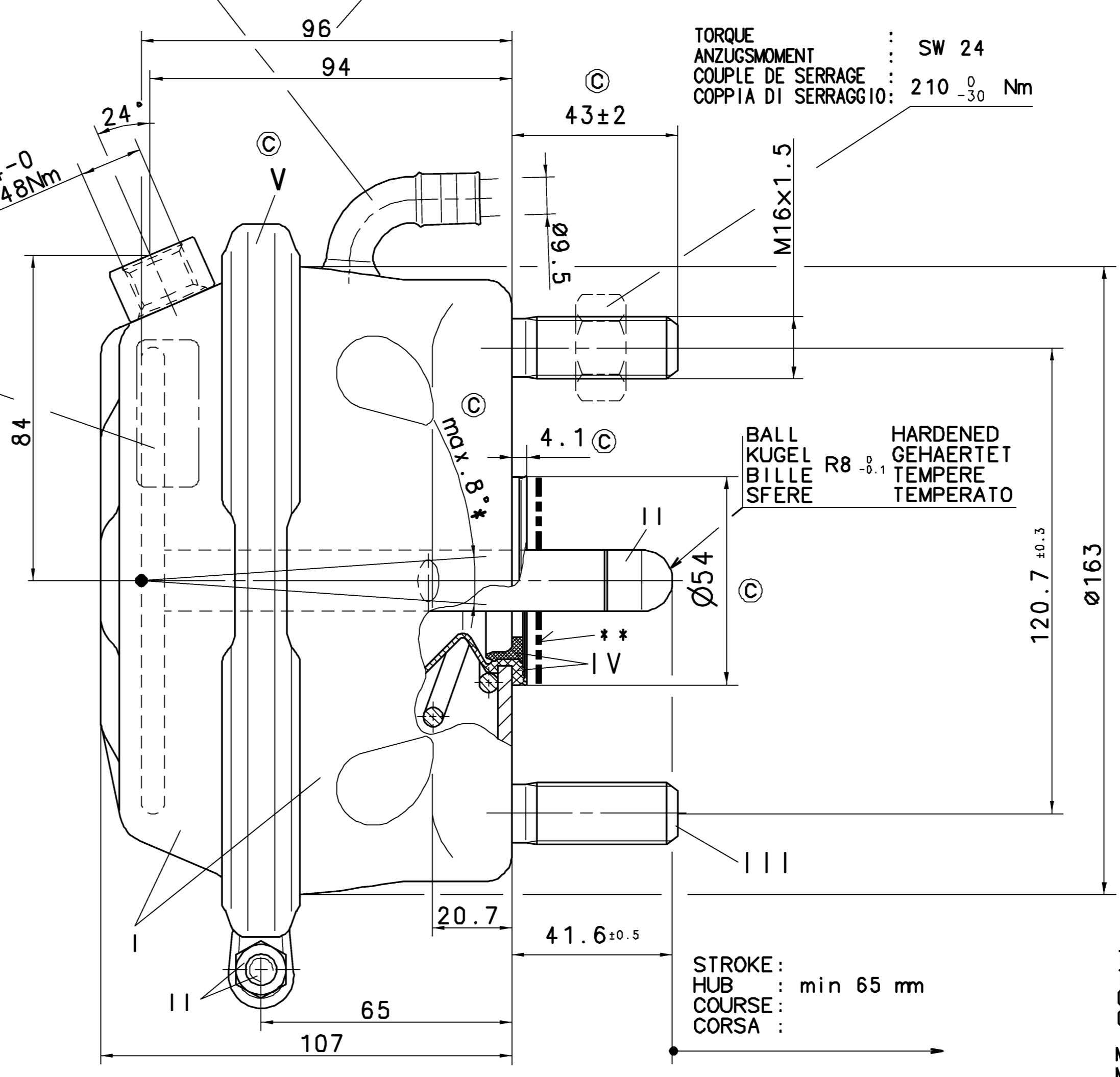
TYPE DESIGNATION
 TYPENBEZEICHNUNG
 TYPE
 TIPO DI DESIGNAZIONE

LEAD EXHAUST PIPE TO DUST-FREE AND DRY AREA
 ENTLUFTUNG MIT ROHR IN STAUBFREIEN UND TROCKENEN RAUM FUEHREN
 AMENER L'ECHAPPEMENT PAR UN TUBO DANS UN ESPACE SEC SANS POUSSIERE
 CONDURRE LO SCARICO PER UN TUBO IN UN SPAZIO SECCO ESENTE DA POLVERE

THEORETICAL SWIVEL POINT OF THE PUSH ROD
 THEOR. SCHWENKPUNKT DER DRUCKSTANGE
 CENTRE D'ARTICULATION THEORIQUE DE LA TIGE
 CENTRO D'ARTICOLAZIONE TEORICO DELL'ASTA



IN DIESEM BEREICH
 IN THIS ZONE
 DANS CETTE ZONE
 IN QUESTA ZONE
 BARCODE LABEL



TORQUE
 ANZUGSMOMENT
 COUPLE DE SERRAGE
 COPPIA DI SERRAGGIO: 210⁰/₋₃₀ Nm

*) DEFLECTION:
 AUSLENKUNG: max. 8° AT STROKE
 DEFLEXION: A COURSE
 DEVIAZIONE: A CORSA

**) SEALING SURFACE
 DICHTFLAECHE
 SURFACE D'ETANCHEITE
 SUPERFICI DI TENUTA

SW= WIDTH ACROSS FLATS
 SCHLUESSELWEITE
 SURPLATS
 LARGHEZZA IN CHIAVE

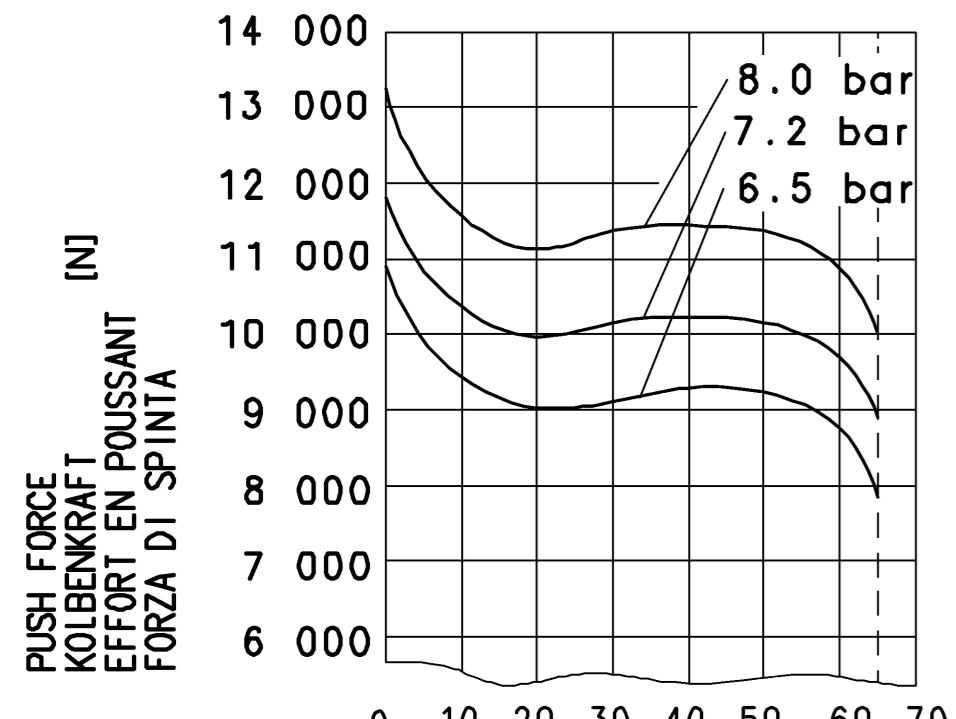
STROKE:
 HUB: min 65 mm
 COURSE:
 CORSA:

THERMAL RANGE OF APPLICATION
 THERMISCHER ANWENDUNGSBEREICH: -40 °C..+80 °C
 GAMME D'APPLICATION THERMIQUE:
 CAMPO DI APPLICAZIONE TERMICA:

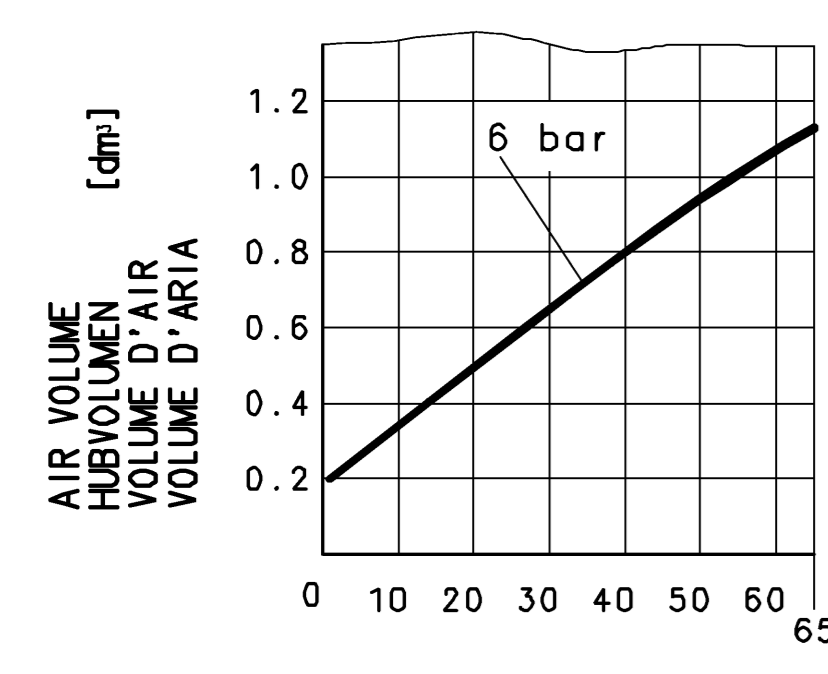
MEDIUM: AIR
 MEDIUM: LUFT
 FLUIDE: AIR
 FLUIDO: ARIA

SERVICE PRESSURE:
 BETRIEBSDRUCK: Pe max. = 10.2 bar
 PRESSION DE SERVICE:
 PRESSIONE DI ESERCIZIO:

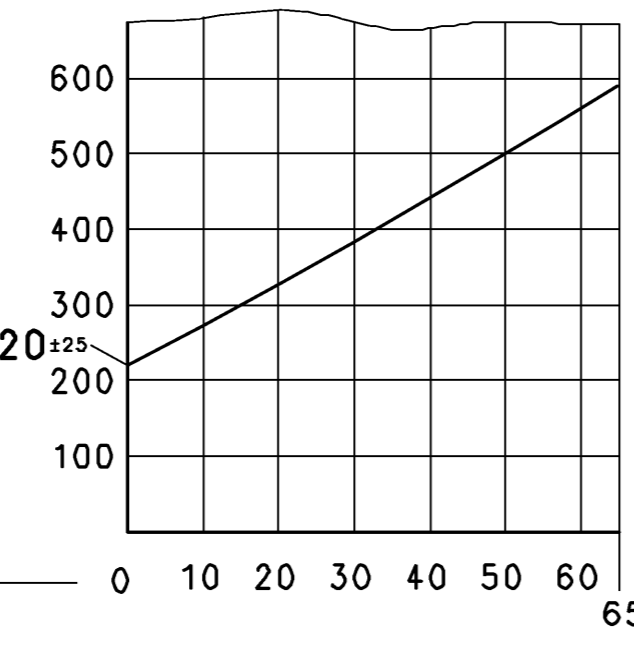
(TEMPORARILY)
 (KURZZEITIG): Pe max. = 13 bar
 (DE COURTE DUREE)
 (BREVE TEMPO SOLO):



DEAD VOLUME AT
 TOTVOLUMEN BEI 0 BAR: =0.076 dm³
 VOLUME MORT A
 SPAZIO NOCIVO A

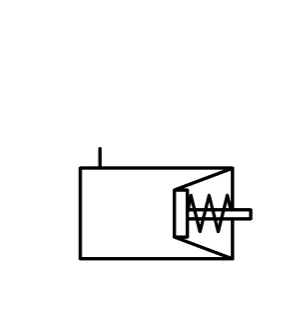


FORCE OF RETURN SPRING
 RUECKSTELTKRAFT DER FEDER
 EFFORT DURESSORTDE RAPPEL
 FORZA DELLA MOLLA RITORNO [N]



SUITABLE FOR WADING
 WATFAEHIG
 E TANCHE A L'IMMERSION POUR VEHICULE AMPHIBIE
 IMPERMEABILE ALL'IMERSIONE

CUSTOMER'S NO.
 KUNDEN-NR. 5010525542
 No. CLIENT
 No. CLIENTE



General Specification: JED-334-0		Copyright WABCO		WABCO	
Further Technical Data:		Date:	Drawn:	24	
Doc. Code:		Sheet:	To:	08-06-16 Wysocki	
General Tolerances JED-261		Checked:		08-06-16 Szuberski	
Range of Nominal Dimensions (± mm)		Einer:		Stefaniak	
Class 1)	≤ 50	> 50	> 180	Material No.	
Fine	0.5	1.0	1.5	3.0	
Medium	1.0	2.0	3.0	1:1	
Coarse	2.0	3.5	5.0	423 506 006 0	
Tapped Holes acc. JED-464-0		Size		005 ML 1/1	
1) Tolerance Class Applied Crossmarked		CAD System		EOM-No.	
A 1		CCD		117548	
				Techn. Resp.	
				5340	
				Replacement For	
				100mm	