

SURFACE PROTECTION OBERFL. SCHUTZ

SI.No.	JED	DESCRIPTION
I	JED-240-4	POWDER COATING
II	JED-256-1	ZINC IRON PASSIVATION
III	JED-371	PHOSPHATING AND OILING
IV	-	PLASTIC
V	-	RUBBER
VI	JED-240-2	PAINTING

MEDIUM : AIR SW WIDTH ACROSS FLATS
 MEDIUM : LUFT SW SCHLUESSELWEITE
 FLUIDE : AIR SURPLATS
 FLUIDO : ARIA LARGHEZZA IN CHIAVE

TEMPERAL RANGE OF APPLICATION :
 THERMISCHER ANWENDUNGSBEREICH : -40°C...+80°C
 GAMME D'APPLICATION THERMIQUE :
 CAMPO DI APPLICAZIONE TERMICA : <1>

SERVICE PRESSURE :
 BETRIEBSDRUCK : Pe max. = 10.2 bar (TEMPORARILY : Pe max. = 13 bar)
 PRESSION DE SERVICE : (KURZZEITIG :
 PRESSIONE DI ESERCIZIO : (DE COURTE DUREE :
 (BREVE TEMPO SOLO :

SEALING SURFACE
 DICHTFLAECHE
 SURFACE D'ETANCHEITE
 SUPERFICI DI TENUTA

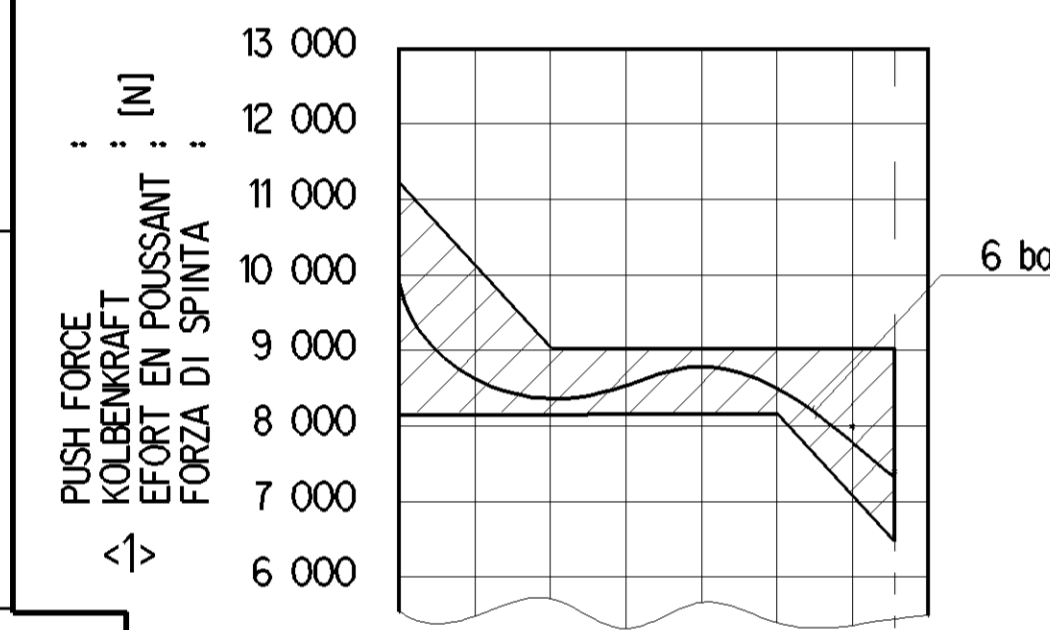
DEFLECTION:
 AUSLENKUNG: max. 8° AT STROKE
 DEFLEXION: A HUB 0 mm
 DEVIATION: A CORSA

OPEN BREATHER HOLE
 OFFTEN ATMUNGSBOHRUNG <2>
 OUVERT TROU RENIFLEUR
 APERTO FORO RESPIRATORE

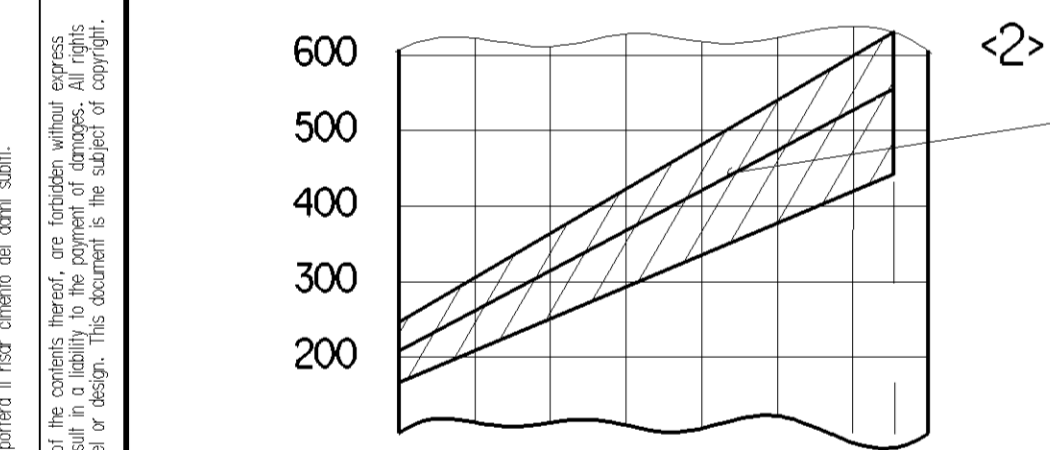
IN DIESEM BEREICH
 IN THIS ZONE BARCODE LABEL
 DANS CETTE ZONE
 IN QUESTA ZON

GEKENNZEICHNET GEMAESS VOLVO GROUP STD 5051,16
 MARKED ACCORDING TO VOLVO GROUP STD 5051,16
 MARQUÉ SELON VOLVO GROUP STD 5051,16
 MARCHIATO SECONDO GRUPPO VOLVO STD 5051,16
 VOLVO : MET3-2-25
 RENAULT TRUCKS : MET3-24-L30
 UD : MET3-18-C25

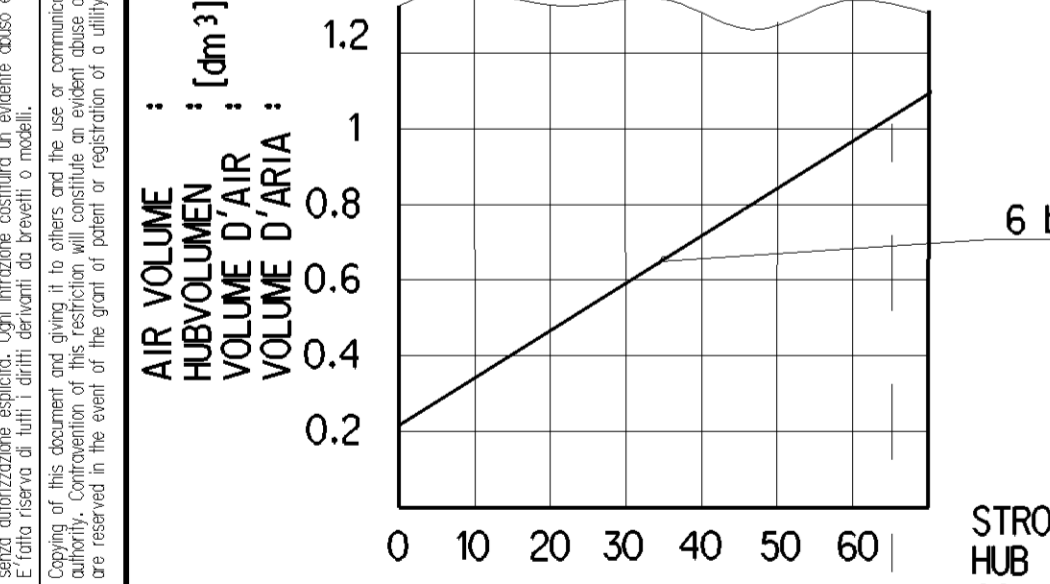
CUSTOMER NAME PLATE
 TYPENSCHILD DES KUNDEN
 PLAQUE DE FIRME DU CLIENT
 TARGHETTA DEL CLIENTE



PUSH FORCE OF AT
 KOLBENKRAFT BEI
 EFFORT DE POUSSANT SOUS
 FORZA DI SPINTA PER



FORCE OF RETURN SPRING
 RUECKSTELPKRAFT DER FEDER
 EFFORT DU RESSORIDE RAPPEL
 FORZA DELLA MOLLA DI RITORNO

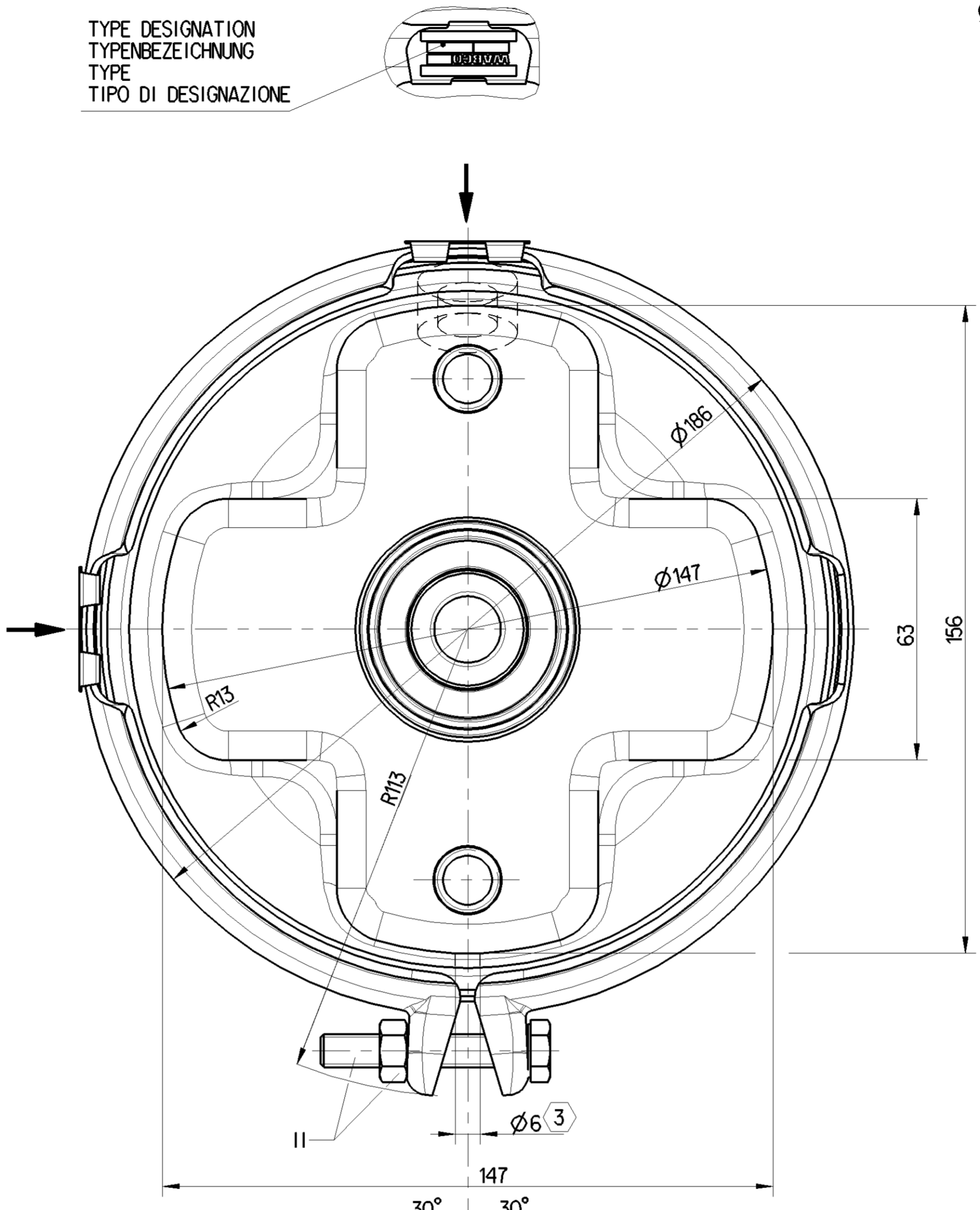
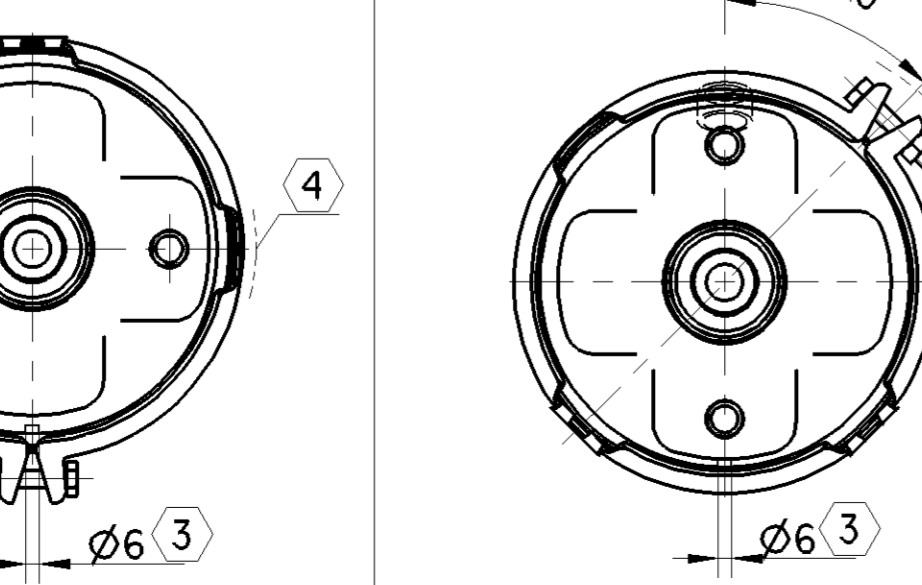
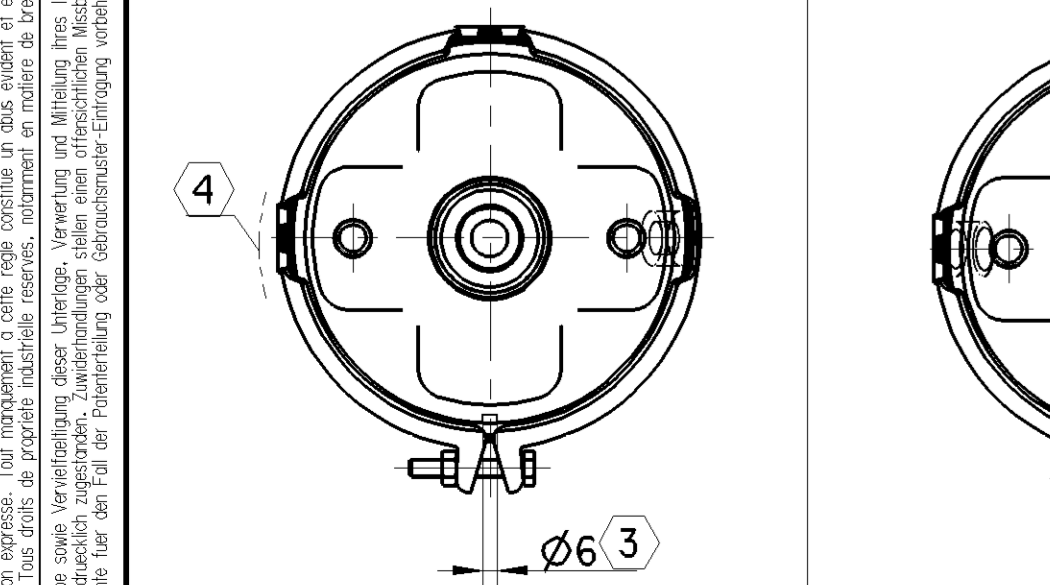


DEAD VOLUME AT :
 TOTVOLUMEN BEI : 0 bar = 0.072 dm³
 VOLUME MORT A :
 SPAZIO NOCIVO A :

STROKE :
 HUB :
 COURSE : [mm]
 CORSA :

423 506 078 0
 423 506 103 0
 423 506 062 0

423 506 084 0
 423 506 104 0
 423 506 063 0



TO BE INSTALLED WITH LOWER BREATHER HOLE OPEN
 IN EINBAUZUSTAND UNTER ATMUNGSBOHRUNG
 A MONTER AVEC LE RENIFLARD INFERIEUR OUVERT
 INSTALLAZIONE CON IL FORO DI SFIATO INFERIORE APERTO

423 506 068 0	423 506 136 0 P	423 506 131 0	423 506 130 0	423 506 122 0
423 506 078 0	423 506 084 0	423 506 102 0	423 506 104 0	423 506 101 0
423 506 103 0	423 506 103 0	423 506 064 0	423 506 100 0	423 506 101 0
423 506 062 0	423 506 062 0	423 506 064 0	423 506 100 0	423 506 101 0

MAIN VIEWS REFER TO DIMENSIONS ONLY
 HAUPTANSICHTEN BEZIEHEN SICH NUR AUF DIE ABMESSUNGEN
 VUES PRINCIPALES CONCERNENT LES DIMENSIONS SEULEMENT
 VISITE PRINCIPALI RIGUARDANO DIMENSIONI SOLAMENTE

POSITION OF COMPONENTS SEE REPRESENTATION OF VARIANTS
 POSITION DER BAUTEILE SIEHE ABWANDLUNGSDARSTELLUNGEN
 POSITION DES COMOSANTS VOIR DESSIN DE LA VARIANTE
 POSIZIONE DELLE COMPONENTI VERDERE DISEGNO DI VARIANTE

423 506 136 0	-	-	23366825 P
423 506 084 0	-	-	22556709
423 506 078 0	-	-	22401752
423 506 131 0	20742389	-	-
423 506 130 0	-	7420533191	-
423 506 122 0	20515380	-	-
423 506 104 0	-	7420824261	-
423 506 103 0	-	7420824262	-
423 506 102 0	20708819	-	-
423 506 101 0	20410139	-	-
423 506 100 0	20410138	-	-
423 506 068 0	22287413	-	-
423 506 064 0	-	7421483526	-
423 506 063 0	21403468	-	-
423 506 062 0	21403469	-	-

VOLVO	RENAULT TRUCKS	UD TRUCKS
CUSTOMER'S NO. KUNDEN-NR. No. CLIENTE		

General Specification: JED-334-1, Size ISO 14405 LP
 Further Technical Data: 925 400 000 0
 Doc. Code: 035 Sheet: 1 To 5

Copyright WABCO®
 Date: 2018-05-23
 Drawn: Monoprojekt
 Checked: Senhikumar
 Expert: Senhikumar

3.6 kg Scale: 1:1
 Size: A1 CREO

Material No.: 423 506 109 0
 Date of first issue: 2010-03-19
 Doc. Code: 053 ML 1/1
 Revision: 6 x P
 Tech. Resp.: 5350

WABCO
 BRAKE CHAMBER
 MEMBRANZYLINDER 24
 VASE A DIAPHRAGME
 BRAKE CHAMBER

Non è permesso copiare o riprodurre questo documento, né utilizzare il contenuto a fini commerciali, senza permesso scritto dalla WABCO. Toute réimpression ou utilisation non autorisée sans la permission écrite de la WABCO est formellement interdite. The contents of this document are the property of WABCO and are not to be distributed, copied or used in any way without the written permission of WABCO.