

SURFACE PROTECT./OBERFL. SCHUTZ	
I	JED-781
II	JED-371
III	

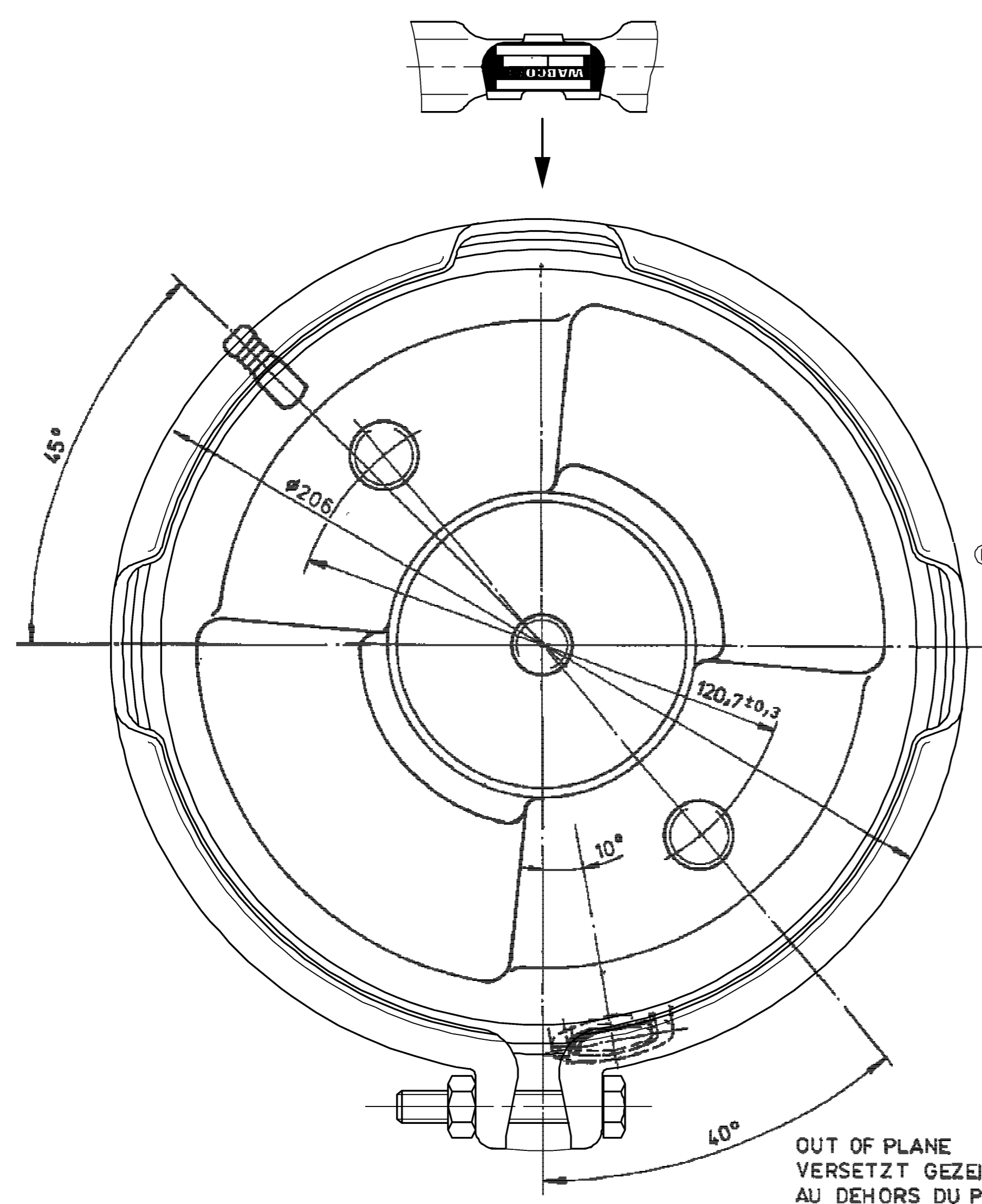
OUT OF PLANE
VERSETZT GEZEICHNET
AU DEHORS DU PLAN DE PROJECTION
AL DI FUORI DEL PIANO DI PROIEZIONE

LETTERING: ATTENTION: SPRING LOAD;
BESCHRIFTET: VORSICHT: FEDERVORSPANNUNG
INSCRIPTION: ATTENTION: RESSORT COMPRIMÉ
ISCRIZIONE: ATTENZIONE: MOLLA COMPRESSA

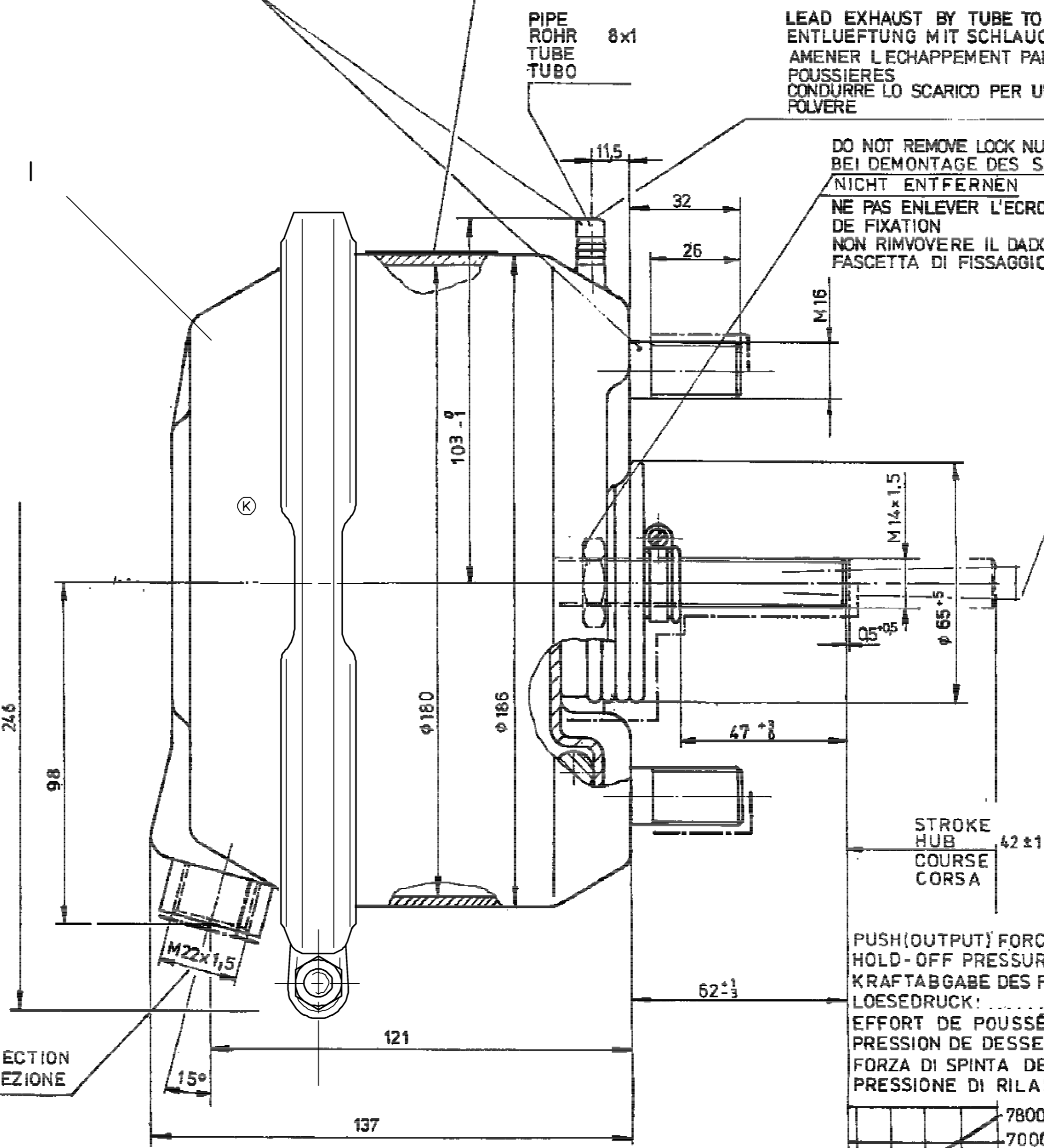
LEAD EXHAUST BY TUBE TO DUST FREE AREA
ENTLUEFTUNG MIT SCHLAUCH IN STAUBFREIEN RAUM FUEHRIEN
AMENER L'ECHAPPEMENT PAR UN FLEXIBLE DANS UN ESPACE SANS
POUSSIERES
CONDURRE LO SCARICO PER UN TUBO FLESSIBILE IN UN SPAZIO ESENTE DA
POLVERE

DO NOT REMOVE LOCK NUT WHEN DISASSEMBLING CLAMP
BEI DEMONTAGE DES SPANNBANDES SICHERUNGSMUTTER
NICHT ENTFERNEN
NE PAS ENLEVER L'ECROU DE FREINAGE AU DEMONTAGE DU COLLIER
DE FIXATION
NON RIMOVERE IL DADO DI SICUREZZA ALLO SMONTAGGIO DELLA
FASCETTA DI FISSAGGIO

MISALIGNMENT OF PUSH ROD IN ANY DIRECTION
AUSLENKUNG DER DRUCKSTANGE ALLSEITIG.....4mm
DEVIATION DE LA TIGE EN TOUTES LES
DIRECTIONS
DEVIATIONE DELL'ASTA DI COMANDO IN
TUTTE LE DIREZIONI

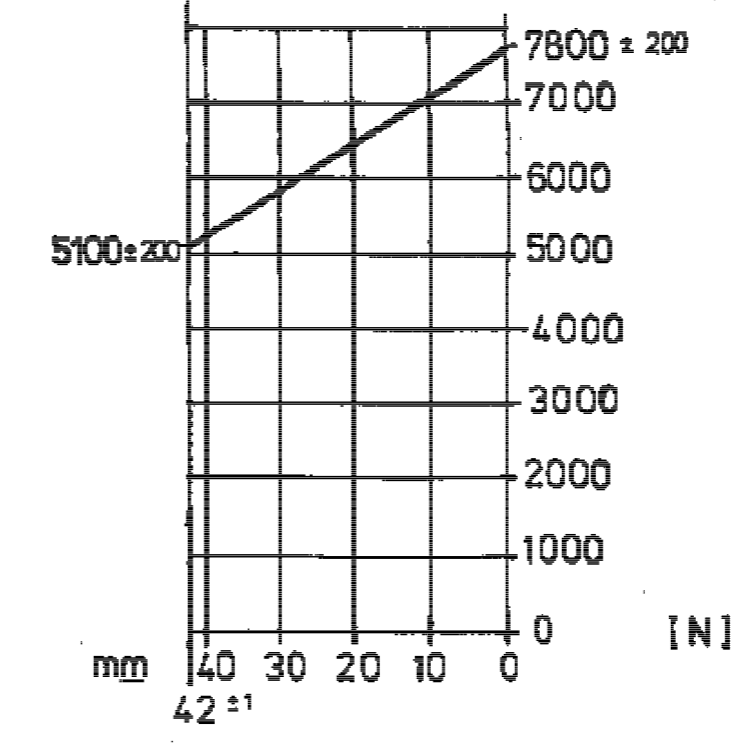


OUT OF PLANE
VERSETZT GEZEICHNET
AU DEHORS DU PLAN DE PROJECTION
AL DI FUORI DEL PIANO DI PROIEZIONE



STROKE
HUB
COURSE
CORSO

PUSH(OUTPUT) FORCE OF SPRING BRAKE PART
HOLD-OFF PRESSURE
KRAFTABGABE DES FEDERSPEICHERS
LOESEDRUCK: 4,2^{±0.3} bar
EFFORT DE POUSSÉE DU DISPOSITIF RESSORT
PRESSION DE DESSERRAGE
FORZA DI SPINTA DELLA SEZIONE A MOLLA
PRESSIONE DI RILASCIO



TYPE 30 x 42
STROKE
HUB
COURSE
CORSO

IN THIS ZONE FREE OF PAINT
IN DIESEM BEREICH FARBFREI
DANS CETTE ZONE SANS PEINTURE
IN QUESTA ZONA SENZA VERNICIATURA

SUITABLE FOR WADING
WATFAEHIG
ETANCHE A L'IMMERSION POUR VEHICULE AMPHIBIE
IMPERMEABILE ALL'IMMERSIONE

AIR CONSUMPTION
LUFTVERBRAUCH.....1,1l
CONSUMATION D'AIR
CONSUMO D'ARIA

WORKING PRESSURE...:
BETRIEBSDRUCK: 7,5 bar BIS 8,2 bar
PRESSION D'UTILISATION :
PRESSIONE DI ESERCIZIO :

PRESSURE TIGHT UP TO 10 bar AIR PRESSURE
DRUCKDICHT BIS 10 bar DRUCKLUFT
ETANCHE A 10 bar DE PRESSION D'AIR
TENUTA ALLA PRESSIONE (ARIA) DI 10 bar

ADMISSIBLE TEMPERATUR RANGE :
ZULAESSIGER TEMPERATURBEREICH : -30°C BIS +100°C
PLAGE DE TEMPERATURES ADMISSIBLES :
GAMMA DI TEMPERATURE AMMISSIBILI :

General Specification: JED-334-9		Copyright WABCO		WABCO	
Further Technical Data:		Date	Signature	Date of first issue: 01-01-09	
Doc. Code: Sheet: To		08-09-02	Medynski	Doc.Code Language Sheet	
General Tolerances JED-261		Object		08-09-02	
Class 11		Stefaniak		Szczuplak	
Class 12		Stefaniak		Stefaniak	
Class 13		Stefaniak		Stefaniak	
Class 14		Stefaniak		Stefaniak	
Class 15		Stefaniak		Stefaniak	
Class 16		Stefaniak		Stefaniak	
Class 17		Stefaniak		Stefaniak	
Class 18		Stefaniak		Stefaniak	
Class 19		Stefaniak		Stefaniak	
Class 20		Stefaniak		Stefaniak	
Class 21		Stefaniak		Stefaniak	
Class 22		Stefaniak		Stefaniak	
Class 23		Stefaniak		Stefaniak	
Class 24		Stefaniak		Stefaniak	
Class 25		Stefaniak		Stefaniak	
Class 26		Stefaniak		Stefaniak	
Class 27		Stefaniak		Stefaniak	
Class 28		Stefaniak		Stefaniak	
Class 29		Stefaniak		Stefaniak	
Class 30		Stefaniak		Stefaniak	
Class 31		Stefaniak		Stefaniak	
Class 32		Stefaniak		Stefaniak	
Class 33		Stefaniak		Stefaniak	
Class 34		Stefaniak		Stefaniak	
Class 35		Stefaniak		Stefaniak	
Class 36		Stefaniak		Stefaniak	
Class 37		Stefaniak		Stefaniak	
Class 38		Stefaniak		Stefaniak	
Class 39		Stefaniak		Stefaniak	
Class 40		Stefaniak		Stefaniak	
Class 41		Stefaniak		Stefaniak	
Class 42		Stefaniak		Stefaniak	
Class 43		Stefaniak		Stefaniak	
Class 44		Stefaniak		Stefaniak	
Class 45		Stefaniak		Stefaniak	
Class 46		Stefaniak		Stefaniak	
Class 47		Stefaniak		Stefaniak	
Class 48		Stefaniak		Stefaniak	
Class 49		Stefaniak		Stefaniak	
Class 50		Stefaniak		Stefaniak	
Class 51		Stefaniak		Stefaniak	
Class 52		Stefaniak		Stefaniak	
Class 53		Stefaniak		Stefaniak	
Class 54		Stefaniak		Stefaniak	
Class 55		Stefaniak		Stefaniak	
Class 56		Stefaniak		Stefaniak	
Class 57		Stefaniak		Stefaniak	
Class 58		Stefaniak		Stefaniak	
Class 59		Stefaniak		Stefaniak	
Class 60		Stefaniak		Stefaniak	
Class 61		Stefaniak		Stefaniak	
Class 62		Stefaniak		Stefaniak	
Class 63		Stefaniak		Stefaniak	
Class 64		Stefaniak		Stefaniak	
Class 65		Stefaniak		Stefaniak	
Class 66		Stefaniak		Stefaniak	
Class 67		Stefaniak		Stefaniak	
Class 68		Stefaniak		Stefaniak	
Class 69		Stefaniak		Stefaniak	
Class 70		Stefaniak		Stefaniak	
Class 71		Stefaniak		Stefaniak	
Class 72		Stefaniak		Stefaniak	
Class 73		Stefaniak		Stefaniak	
Class 74		Stefaniak		Stefaniak	
Class 75		Stefaniak		Stefaniak	
Class 76		Stefaniak		Stefaniak	
Class 77		Stefaniak		Stefaniak	
Class 78		Stefaniak		Stefaniak	
Class 79		Stefaniak		Stefaniak	
Class 80		Stefaniak		Stefaniak	
Class 81		Stefaniak		Stefaniak	
Class 82		Stefaniak		Stefaniak	
Class 83		Stefaniak		Stefaniak	
Class 84		Stefaniak		Stefaniak	
Class 85		Stefaniak		Stefaniak	
Class 86		Stefaniak		Stefaniak	
Class 87		Stefaniak		Stefaniak	
Class 88		Stefaniak		Stefaniak	
Class 89		Stefaniak		Stefaniak	
Class 90		Stefaniak		Stefaniak	
Class 91		Stefaniak		Stefaniak	
Class 92		Stefaniak		Stefaniak	
Class 93		Stefaniak		Stefaniak	
Class 94		Stefaniak		Stefaniak	
Class 95		Stefaniak		Stefaniak	
Class 96		Stefaniak		Stefaniak	
Class 97		Stefaniak		Stefaniak	
Class 98		Stefaniak		Stefaniak	
Class 99		Stefaniak		Stefaniak	
Class 100		Stefaniak		Stefaniak	