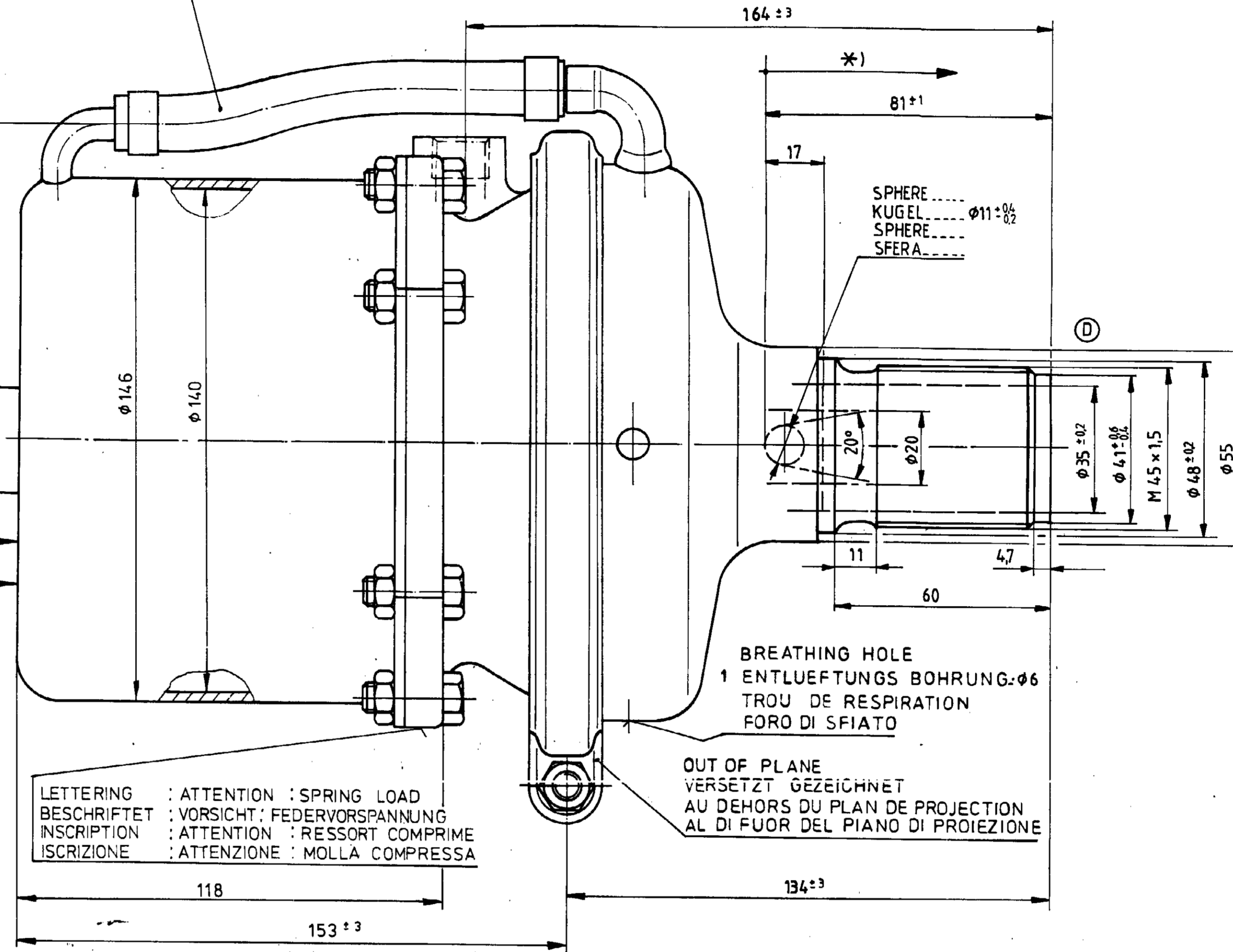
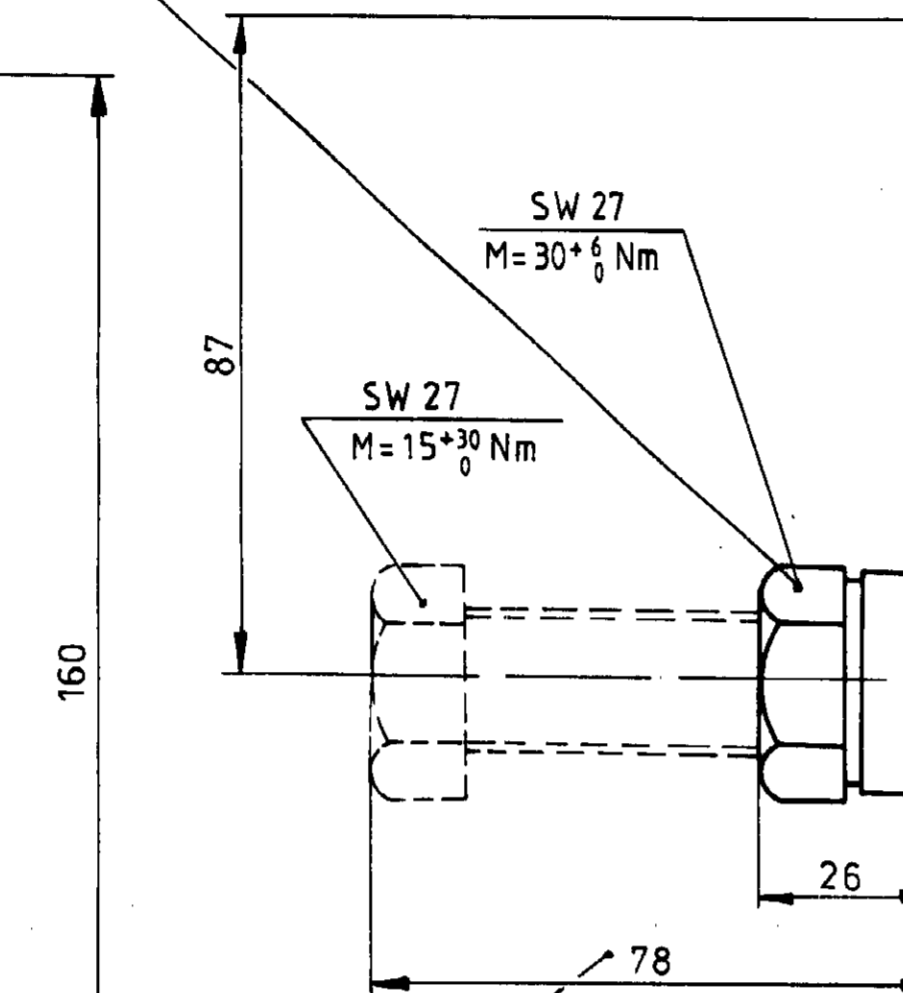
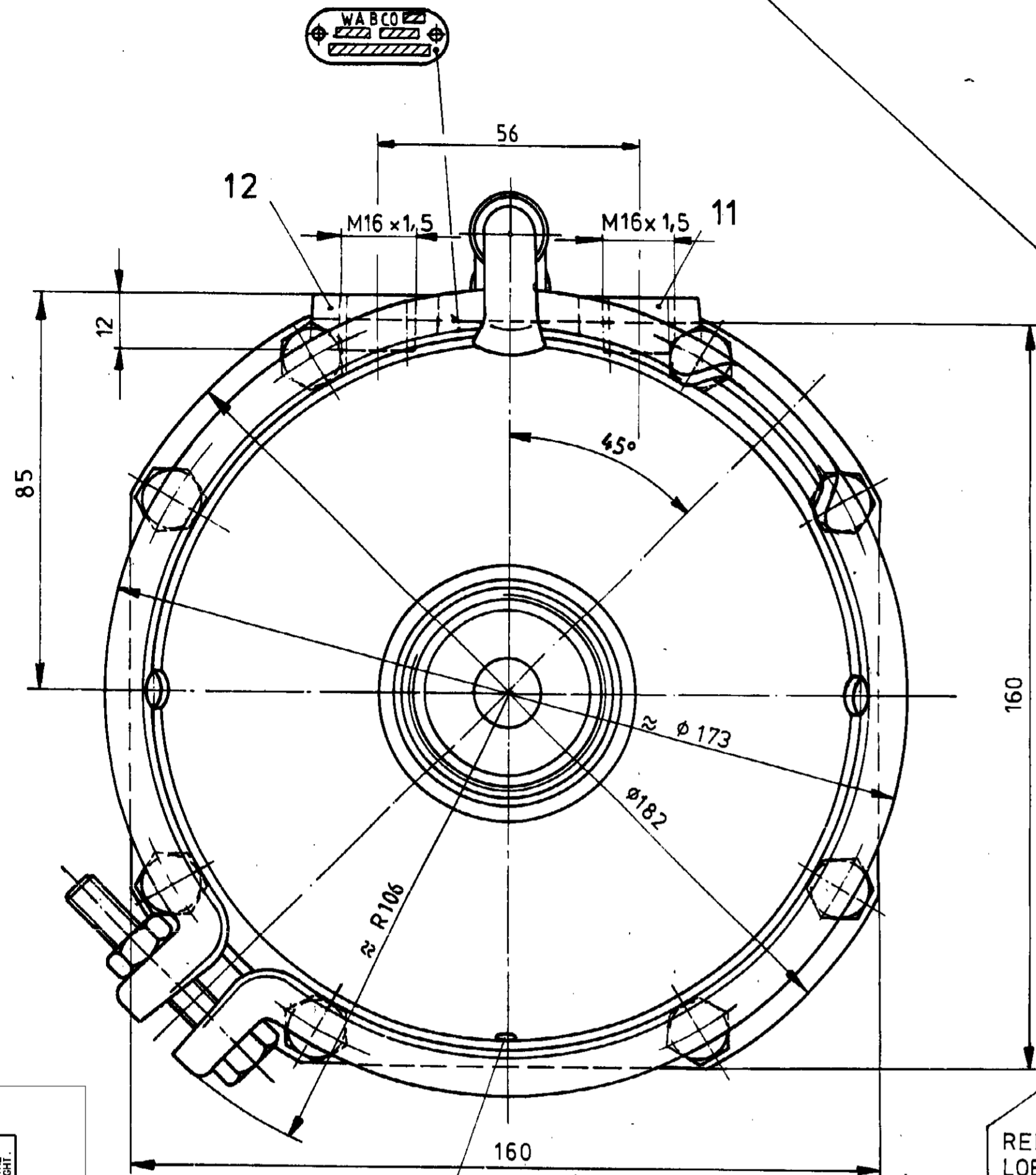


MANUAL RELEASE : COMPRESS SPRING BY TURNING RELEASE BOLT RELEASE TORQUE 5 UP TO 15 Nm ; TIGHTENING TORQUE 40 UP TO 50 Nm
 LOESEVORRICHTUNG : DRUCH DREHEN DER LOESE SCHRAUBE DRUCKFEDER SPANNEN LOESEMOMENT 5 BIS 15 Nm ; FESTZIEHMOMENT 40 BIS 50 Nm
 DESSERRAGE MANUELLE : COMPRIMER LE RESSORT EN TOURNANT LA VIS DE DESSERRAGE. COUPLE DE DESSERRAGE 5 A 15 Nm ; COUPLE DE SERRAGE 40 A 50 Nm
 RILASCIO MANUALE : COMPRIMERE LA MOLLA AGENDO SULLA VITE DI RILASCIO. COPPIA DI DISSERRAGGIO 5 A 15 Nm ; COPPIA DI SERRAGGIO 40 A 50 Nm

POSITIONING OF BREATHING TUBE IN UPPER RANGE MANDATORY
 ENTLUEFTUNG MUSS BEIM EINBAU IM OBEREN BEREICH ANGEORDET WERDEN
 AU MONTAGE IL EST IMPOSE A DISPOSER LE TUBE DE RESPIRATION DANS LA ZONA SUPERIEURE
 PER IL MONTAGGIO SI DEVE DISPORRE IL TUBO DI SFIATO NELLA ZONA SUPERIORA



RELEASE POSITION
 LOESESTELLUNG
 POSITION DE DESSERRAGE
 POSIZIONE DI RILASCIO
 STATE AS SUPPLIED : RELEASED
 ANLIEFERUNGSZUSTAND : GELOEST
 ETAT DE LIVRAISON : DESSERRE
 STATO DI CONSEGNA : RILASCIATO

LETTERING : ATTENTION : SPRING LOAD
 BESCHRIFTET : VORSICHT : FEDERVORSPANNUNG
 INSCRIPTION : ATTENTION : RESSORT COMPRIE
 ISCRIZIONE : ATTENZIONE : MOLLA COMPRESA

BREATHING HOLE
 1 ENTLUEFTUNGS BOHRUNG-φ6
 TROU DE RESPIRATION
 FORO DI SFIATO

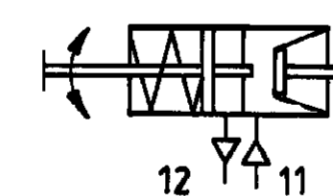
PORT 11 SERVICE BRAKING SYSTEM WORKING PRESSURE MAX. 8 bar
 ANSCHLUSS 11 BETRIEBSBREMSANLAGE : BETRIEBSDRUCK MAX. 8 bar
 ORIFICE 11 DISPOS DE FREINAGE DE SERV PRESSION D'UTILISATION MAX. 8 bar
 ORIFIZIO 11 DISPOS DI FRENATURA DI SERV PRESSIONE DI ESERCIZIO MAX. 8 bar

PORT 12 SPRING BRAKE CYLINDER
 ANSCHLUSS 12 FEDERSPEICHERZYLINDER
 ORIFICE 12 CYLINDRE A RESSORT
 ORIFIZIO 12 CILINDRO A MOLLA

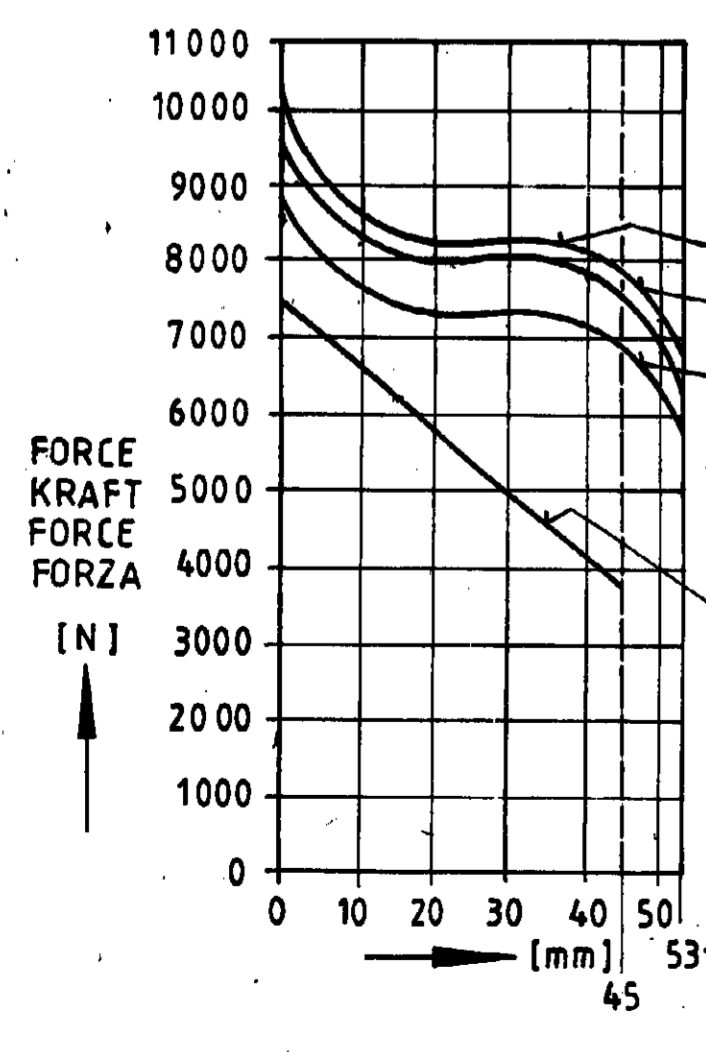
THERMAL RANGE OF APPLICATION FROM -40° TO +80° C
 THERMISCHER ANWENDUNGSBEREICH VON -40° AUF +80° C
 GAMME D'APPLICATION THERMIQUE DE -40° A +80° C
 CAMPO DI APPLICAZIONE TERMICA DA -40° A +80° C

INSTALLATION POSITION AS DRAWN
 EINBAULAGE WIE GEZEICHNET ± 30°
 POSITION D'INSTALLATION SUIVANT DESSIN
 POSIZIONE DI MONTAGGIO COME DISEGNATO

STROKE :
 HUB :
 COURSE :
 CORSA :
 BRAKE CHAMBER : 53±0.3
 MEMBRANZYLINDER : 53±0.3
 VASE A DIAPHRAGME : 53±0.3
 BRAKE CHAMBER :
 SPRING BRAKE CYLINDER : 45±0.3
 FEDERSPEICHERZYLINDER : 45±0.3
 CYLINDRE A RESSORT : 45±0.3
 CILINDRO A MOLLA : 45±0.3



WIDTH ACROSS FLATS
 SW = SCHLUESSELWEITE
 SURPLATS
 LARGHEZZA IN CHIAVE



MEDIUM : AIR
 MEDIUM : LUFT
 FLUIDE : AIR
 FLUIDO : ARIA

OUTPUT FORCE OF SERVICE BRAKE PART AT
 KRAFTABGABE DES BETRIEBSBREMSTEILES BEI (DIN 74060 / 2)
 EFFORT DE POUSSEE DU DISPOSITIF DU FREIN DE SERVICE SOUS
 FORZA DI SPINTA DELLA SEZIONE DI FRENO DI SERVIZIO PER

OUTPUT FORCE OF SPRING BRAKE PART RELEASE PRESSURE
 KRAFTABGABE DES FEDERSPEICHERS, LOESEDRUCK Pe = 5,1 ± 0,3 bar
 EFFORT DE POUSSEE DU DISPOSITIF RESSORT, PRESSION DE DESSERRAGE
 FORZA DI SPINTA DELLA SEZIONE A MOLLA, PRESSIONE DI RILASCIO

GENERAL SPECIFICATION: JED-334		CAD/CAM-DRIVING COPYRIGHT	
FURTHER TECHNICAL DATA:		DATE: SIGNATURE:	
DOC. CODE:	SHEET: TO:	DRAWN: 88-10-131 RYLIUS	
GENERAL TOLERANCES		CHECKED: 88-10-25 MYLIUS	
RANGE OF NOMINAL DIMENSIONS (± mm)		STANDARDIZATION: 88-10-31 THIELE	
CLASS 1)	< 50 ±180 > 180 > 400	078724	1xG 01-02-12
FINE	0,5 1,0 1,5 2,0	052218	F 93-11-05
MEDIUM	1,0 2,0 3,0 4,0	048327	E 91-03-14
COURSE	2,0 3,5 5,0 6,5	046843	D 90-08-31
TAPPED HOLES ACC. ISO 4039 / JED-152	039188	C 88-10-13	
1) TOLERANCE CLASS APPLIED CROSSMARKED		DCN-NO. REV.	DATE
		A 1	185
		SHAPE CODE	
		REPLACEMENT FOR	
		EXPERT CODE	
		PRODUCT TYPE	

WABCO

TRISTOP BRAKE ACTUATOR
 TRISTOP-ZYLINDER
 CYLINDRE TRISTOP
 CILINDRO TRISTOP 20/16

425 333 001 0
 605 1/1