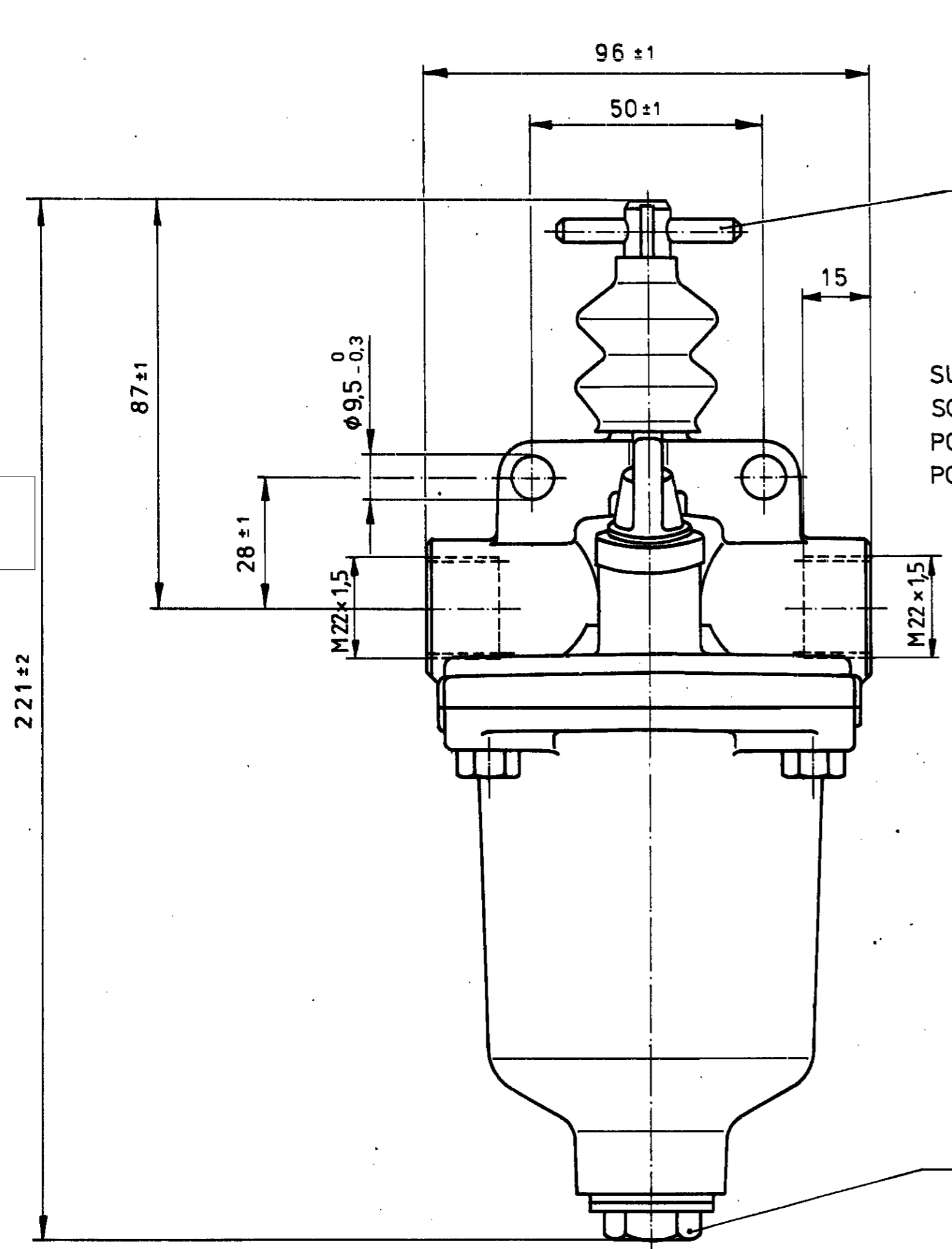


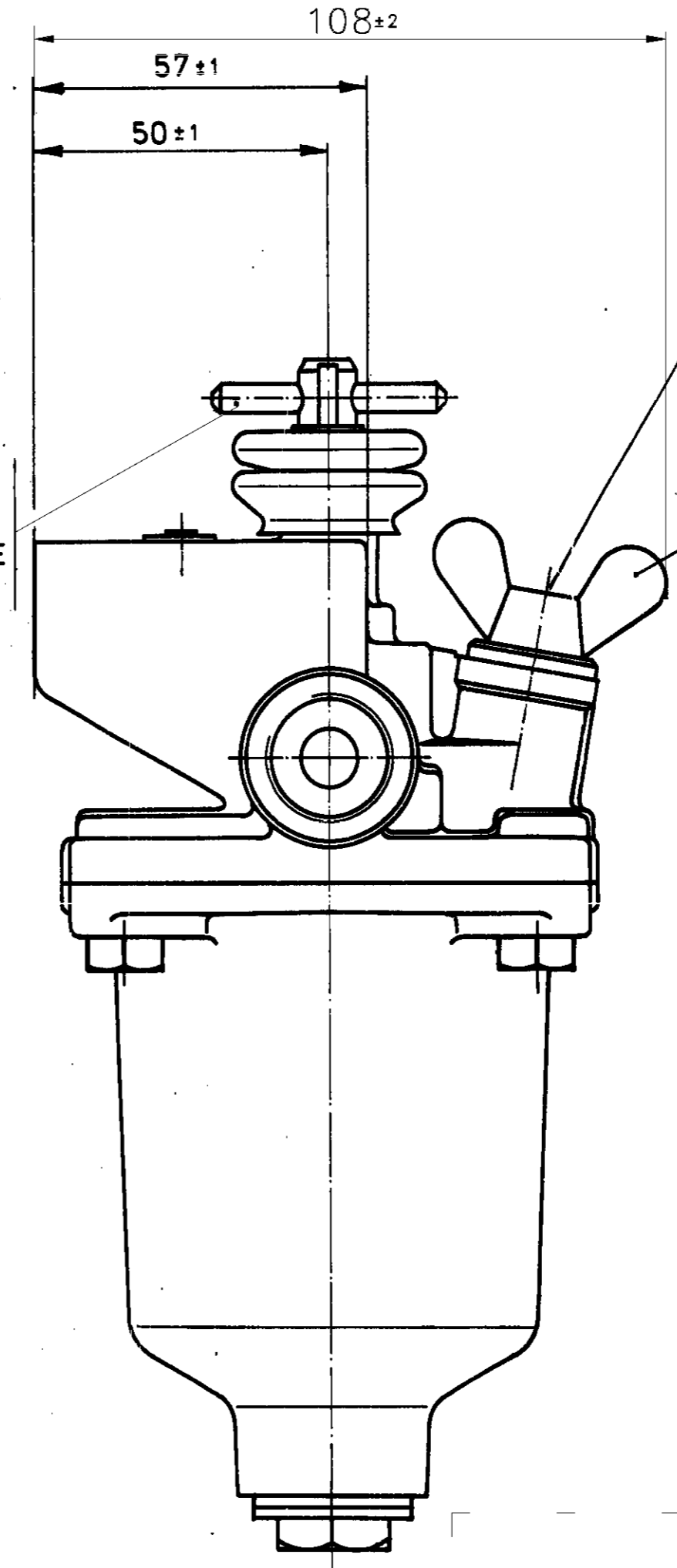
NON È PERMESSO CONCESSIONE A TERZI O RIPRODURRE QUESTO DOCUMENTO, NE UTILIZZARNE IL CONTENUTO O RENDERSI RESPONSABILI PER DANNI SUBITI. È FATTA RISERVA DI TUTTI I DIRITTI DERIVANTI DA BREVETTI O MODELLI.  
 COPIING OF THIS DOCUMENT AND THE USE OF COMMUNICATION OF THE CONTENTS THEREOF, WITHOUT THE WRITTEN PERMISSION OF THE DRAWING OFFICE, IS PROHIBITED. ALL RIGHTS ARE RESERVED IN THE EVENT OF THE ABUSE AND RESULT IN A LIABILITY TO THE PAYMENT OF DAMAGES.  
 TOUVE COMMUNICATION OU REPRODUCTION DE CE DOCUMENT, TOUTE EXPLOITATION OU COMMUNICATION DE SON CONTENU, ENVIANT EN RESPONSABILITE A TROIS DROITS DE PROPRIETE INDUSTRIELLE RESERVES, NOTAMMENT EN MATIERE DE BREVETS ET DE MODELES.  
 WELLEGABE SOMME VERVIELFAELTUNG DIESER UNTERLAGE, VERBREITUNG UND MITTEILUNG IHRES INHALTS NICHT OHNE SCHRIFTLICHE ZULASSUNG DER ZEICHNUNGSABTEILUNG ZU ERWAARTEN. ALLE RECHTE IHRER SEITEN FÜR DEN FALL DER PATENTIERUNG ODER GEBRAUCHSMUSTER-EINTRAGUNG VORBEHALTEN.



WINTER POSITION  
 WINTERSTELLUNG  
 POSITION D' HUIVER  
 POSIZIONE D' INVERNO

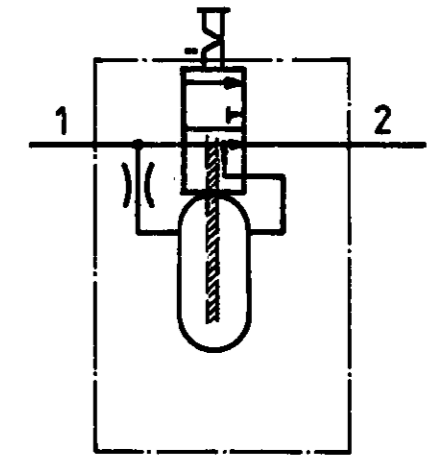
SUMMER AND REPLENISHING POSITION  
 SOMMER-UND NACHFUELLSTELLUNG  
 POSITION D' ETE ET DE REMPLISSAGE  
 POSIZIONE DI ESTATE E DI CARICO

WIDTH ACROSS FLATS :  
 SCHLUESSELWEITE : 19  
 SURPLAT  
 LARGHEZZA IN CHIAVE :



FILLING PORT  
 EINFUELLOEFFNUNG  
 ORIFICE DE REMPLISSAGE  
 ORIFIZIO DI RIEMPIMENTO

DIP STICK  
 MESSSTAB  
 JAUGE  
 ASTA LIVELLE



ISO 1219

**WORKING PRESSURE :** **BETRIEBSDRUCK :** **PRESSION D' UTILISATION :** **PRESSIONE DI ESERCIZIO :** **MAX. 20 bar**  
**THERMAL RANGE OF APPLICATION :** **THERMISCHER ANWENDUNGSBEREICH :** **GAMME D' APPLICATION THERMIQUE :** **CAMPO DI APPLICAZIONE TERMICA :** **-40°C ... +80°C**

**RESERVOIR CAPACITY :** **BEHALTERINHALT :** **CAPACITE DU RESERVOIR :** **CAPACITA DI SERBATOIO :** **≈ 0,2 dm<sup>3</sup>**  
**REPLENISH ONLY WITH :** **NACHFUELLEN NUR MIT :** **NE REMPLIR QU AVEC :** **CARICARE SOLO CON :** **ETHYL ALCOHOL OR ETHANOL (FUEL ALCOHOL)**  
**AETHYLALKOHOL BZW. AETHANOL (BRENNSPIRITUS)**  
**ETHYL ALCOOL OU ETHANOL (ALCOOL A BRULER)**  
**ALCOLE ETILICO O ETANOLO (ALCOLE DA ARDERE)**

GENERAL SPECIFICATION:		JED-334	
FURTHER TECHNICAL DATA:			
DOC. CODE:	SHEET:		TO
GENERAL TOLERANCES			
RANGE OF NOMINAL DIMENSIONS ( ± mm )			
CLASS 1)	≤ 50	> 50 ≤ 180	> 180 ≤ 400
FINE	0,5	1,0	1,5
MEDIUM	1,0	2,0	3,0
COARSE	2,0	3,5	5,0
TAPPED HOLES ACC. ISO 4039 / JED-152			
1) TOLERANCE CLASS APPLIED CROSSMARKED			

DATE	SIGNATURE
00-02-04	MAURER
CHECKED:	00-02-04 SEEWALD
STANDARDIZATION:	
MASS	SCALE
0.86	1:1
SIZE	T.R.I.
A 2	140

**WABCO**

ANTI-FREEZER  
FROSTSCHUETZER  
PROTECTEUR ANTIGEL  
ANTICONGELATORE

PRODUCT IDENTIFICATION NO. 432 199 033 0

DOC. CODE 605 SHEET 1/1

REPLACEMENT FOR