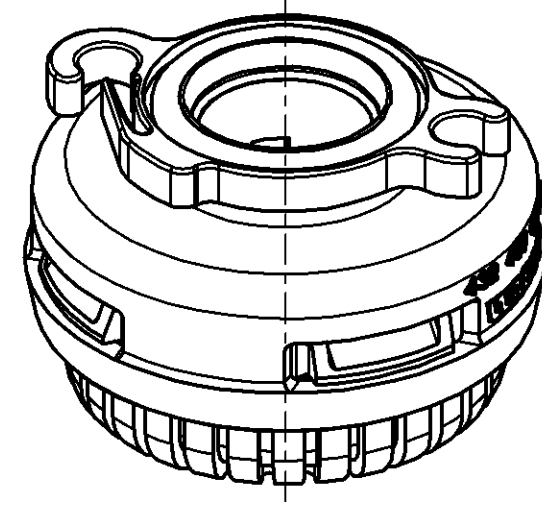
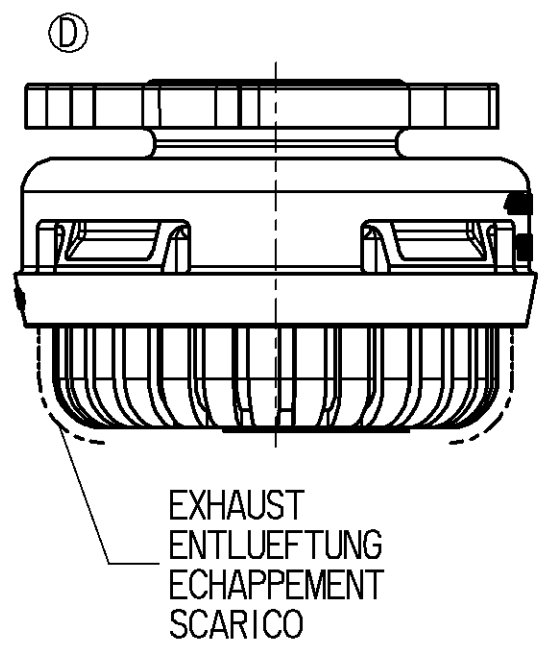
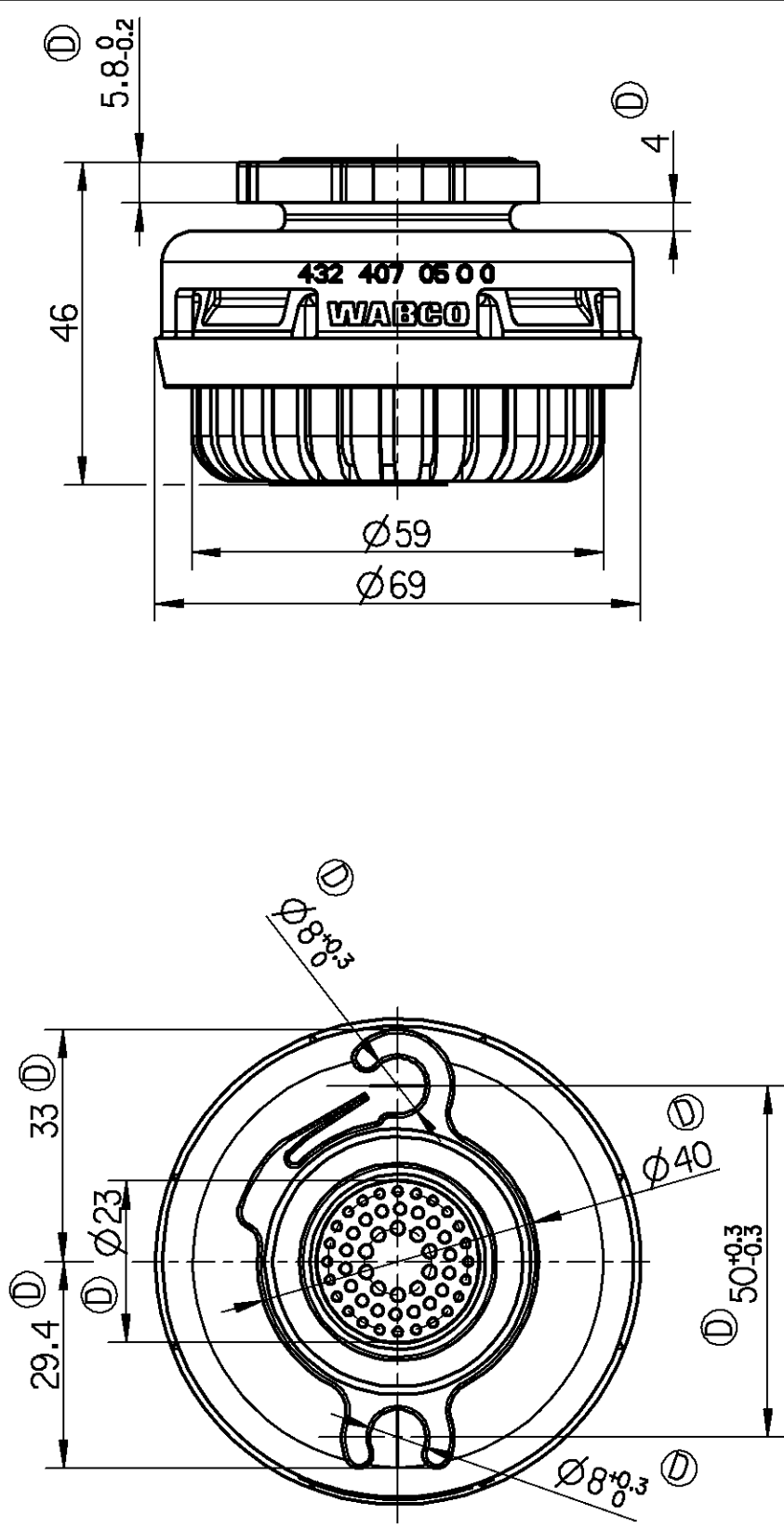


NON E' PERMESSO CONSEGNARE A TERZI, O RIPRODURRE QUESTO DOCUMENTO, NE UTILIZZARNE IL CONTENUTO O NEI  
 NENI S' ESTREMEZ A TERZI, SANS AUTORIZZATION ESPECIELLE, NI REPRODUIRE CE DOCUMENT, NI UTILISER  
 ABUSO E' COMPRESO IL RISARCIMENTO DEI DANNI SUBITI. E' FATTA RISERVA DI TUTTI I DIRITTI DERIVANTI DA  
 BREVETTI O MODELLI.

TOUTE COMMUNICATION OU REPRODUCTION DE CE DOCUMENT, TOUTE EXPLOITATION OU COMMUNICATION DE SON CONTE  
 WESONT INTERDITES, SANS AUTORISATION ESPECIELLE, TOUT MAQUETAGE, A CETTE EGAL, CONSTITUE UN ABUS  
 EVRIENT ET EXPOSE SON AUTEUR AU RISQUE DE DOMMAGES ET D'INTERETS. TOUTS DROITS DE PROPRIETE  
 INDUSTRIELLE, RESERVES, NOTAMMENT EN MATIERE DE BREVETS ET DE MODELES.

COPYING OF THIS DOCUMENT AND GIVING IT TO OTHERS AND THE USE OR COMMUNICATION OF THE CONTENTS THEREOF,  
 ARE PROHIBITED WITHOUT EXPRESS AUTHORITY. CONSENTION OF THIS RESULTS OF RESEARCH, THE FILING OF THE  
 GRANT OF PATENT OR REGISTRATION OF A UTILITY MODEL OR DESIGN. THIS DOCUMENT IS THE SUBJECT OF COPYRIGHT.



THERMAL RANGE OF APPLICATION:  
 THERM. ANWENDUNGSBEREICH: -40° . . . +80° C  
 GAMME D'APPLICATION THERMIQUE:  
 CAMPO DI APPLICAZIONE TERMICA:

MEDIUM: AIR  
 MEDIUM: LUFT  
 FLUIDE: AIR  
 FLUIDO: ARIA

INSTALLATION POSITION: SEE PRODUCT SPECIFICATION  
 EINBAULAGE: SIEHE PRODUKTSPEZIFIKATION  
 POSITION D'INSTALLATION: VOIR SPECIFICATION DU PRODUIT  
 POSIZIONE DI MONTAGGIO: VEDERE SPECIFICA DI PRODOTTO

MAX. WORKING PRESSURE OF DEVICE TO BE EXHAUSTED:  
 MAX. BETRIEBSDRUCK DES ZU ENTLUEFTENDEN GERAETES: pe=11 bar  
 PRESSION D'UTILISATION MAX. DE L'APPAREIL A ECHAPPER:  
 PRESSIONE MAX. DI LAVORO DEL COMPONENTE DA SCARICARE:

NOISE EMISSION:  
 GERAUESCHEMISSION: ≤69 dB(A) , (7,0 m)\* bei 11 bar  
 EMISSION DU BRUIT:  
 EMISSIONE DI RUMORE:

CONDITIONS OF APPLICATION: SEE PRODUCT SPECIFICATION  
 EINSATZBEDINGUNGEN: SIEHE PRODUKTSPEZIFIKATION  
 \* CONDITIONS D'APPLICATION: VOIR SPECIFICATION DU PRODUIT  
 CONDIZIONI DI APPLICAZIONE: VEDERE SPECIFICA DI PRODOTTO

GENERAL SPECIFICATION:		JED-334-0		PRO/ENGINEER DRAWING COPYRIGHT		<b>WABCO</b>	
FURTHER TECHNICAL DATA:				DATE	SIGNATURE		
DOC. CODE:		SHEET: TO		DRAWN		SILENCER GERAEUSCHDAEMPFER SILENCIEUX SILENZIATORE	
GENERAL TOLERANCES				03-04-28	MEINKING		
RANGE OF NOMINAL DIMENSIONS ( ± mm)				CHECKED			
CLASS	1)	≤ 50	> 50 ≤ 180	> 180 ≤ 400	> 400		
FINE		0.5	1.0	1.5	2.0		
MEDIUM	X	1.0	2.0	3.0	4.0		
COARSE		2.0	3.5	5.0	6.5		
TAPPED HOLES ACC. ISO 4039 / JED-152				085340	10xD	04-01-19	PRODUCT IDENTIFICATION NO.
1) TOLERANCE CLASS APPLIED CROSSMARKED				085309	1xC	03-04-28	432 407 050 0
				DCN-NO.	REV.	DATE	DOC. CODE
						SHEET	
						605	
						1/1	
						REPLACEMENT FOR	
						432 407 050 0 OF	
						OF 93-05-04	