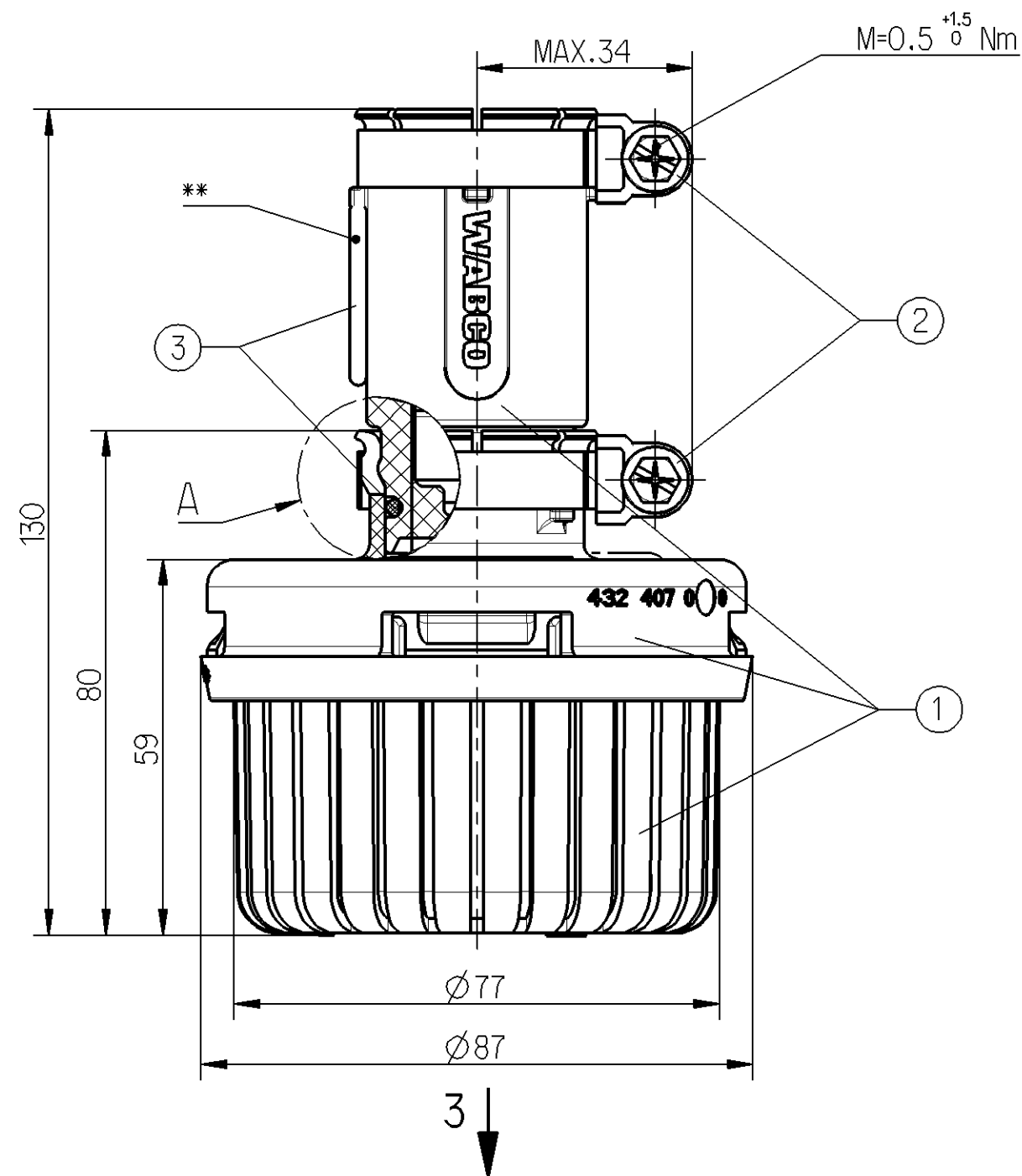
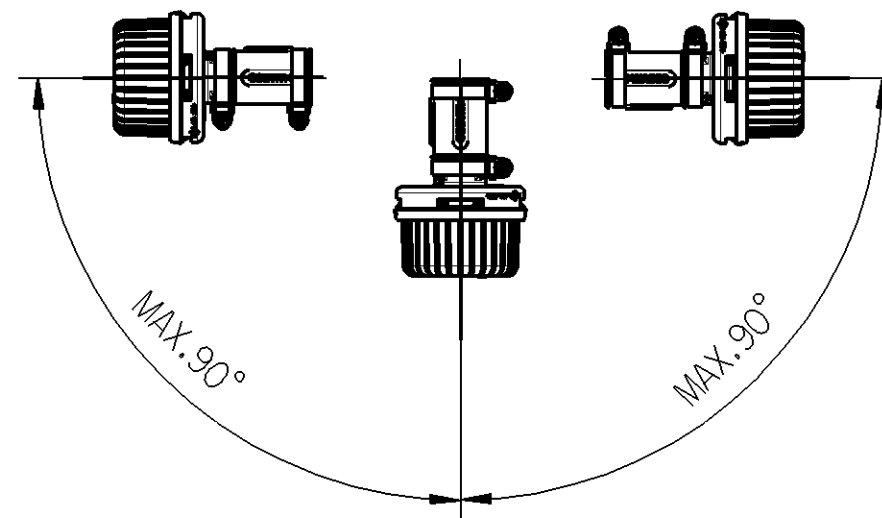
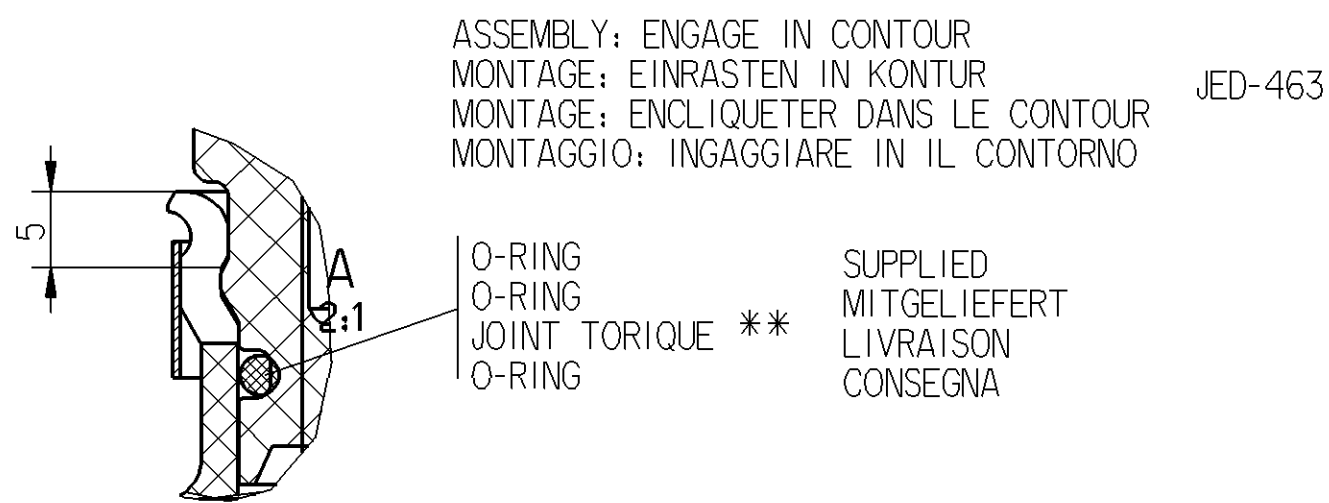


POS	MATERIAL	SURFACE PROTECTION
1	JED-354-1	
2	CHROM STEEL	
3	JED-7080M	

INSTALLATION POSITION : EXHAUST TO THE BOTTOM (AXIS OF THE SILENCER DEVIATES MAX.90° FROM VERTICAL (AS DRAWN))
 EINBAULAGE : ENTLUEFTUNG NACH UNTEN (GERAEUSCHDAEMPFERACHSE MAX.90° VON DER SENKRECHTEN ABWEICHEND (WIE GEZEICHNET))
 POSITION D'INSTALLATION : ECHAPPEMENT VERS LE BAS
 POSIZIONE DI MONTAGGIO : SCARICO VERSO IL BASSO



MEDIUM AIR
 MEDIUM LUFT
 FLUIDE AIR
 FLUIDO ARIA

3 EXHAUST
 ENTLUEFTUNG
 ECHAPPEMENT
 SCARIO

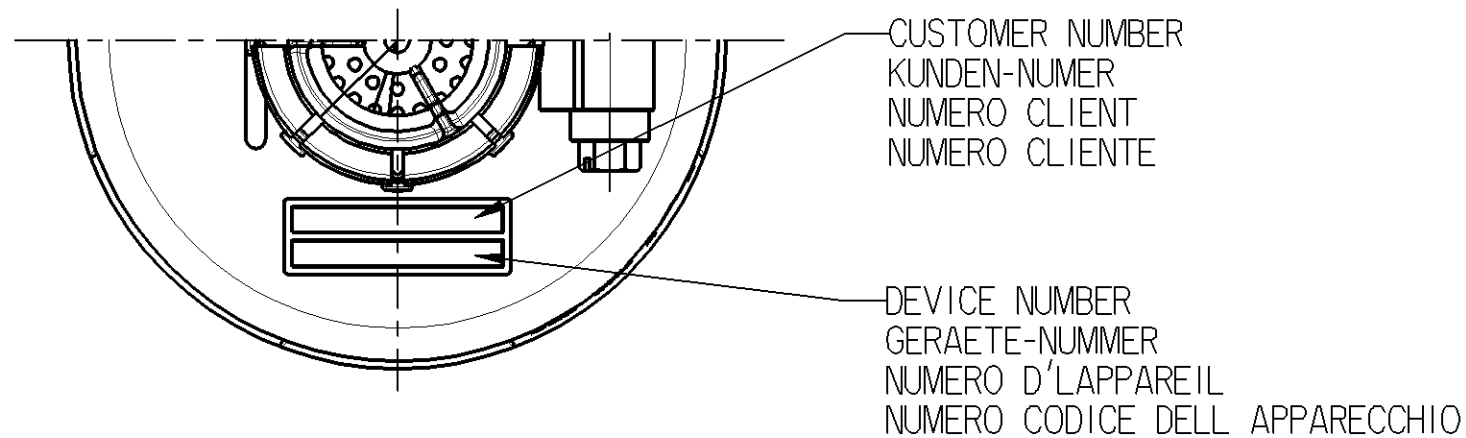
NOISE EMISSION:
 GERAEUSCHEMISSION:
 EMISSION DE BRUIT: <70 db(A).(7.0 m) *) at 13 bar
 EMISSIONE DI RUMORE:

BACK PRESSURE PERMISSIBLE MAX.:
 STAUDRUCK ZULAESSIG MAX.:
 PRESSION DYNAMIQUE ADMISSIBLE MAX.: Pe=5.5 bar
 PRESSIONE DINAMICA AMMISSIBILE MAX.:

THERMAL RANGE OF APPLICATION:
 THERMISCHER ANWENDUNGSBEREICH: -40°C...+80°C
 GAMME D'APPLICATION THERMIQUE:
 CAMPO TERMICO D'APPLICAZIONE:

MAX. WORKING PRESSURE OF DEVICE TO BE EXHAUSTED:
 MAX. BETRIEBSDRUCK DES ZU ENTLUEFTENDEN GERATES: Pe=13 bar
 PRESSIONE D UTILISATION MAX. DE L APPEREIL A ECHAPPER:
 PRESSIONE MAX. DI LAVORO DEL COMPONENTE DA SCARICARE:

* CONDITIONS OF APPLICATION SEE PRODUCT SPECIFICATION:
 EINSATZBEDINGUNGEN SIEHE PRODUKTSPEZIFIKATION: 432 407 100 0 DOC. CODE 035
 CONDITIONS D'APPLICATION VOIR SPECIFICATION DU PRODUIT:
 CONDIZIONI DI APPLICAZIONE VEDERE SPECIFICA DI PRODOTTO:



General Specification: JED-334-0		Copyright WABCO®		WABCO		
Further Technical Data:		Date	Signature	SILENCER		
Doc. Code:	Sheet: To	2010-08-12	Gantarz			
General Tolerances JED-261		Checked	Fabian			
Range of Nominal Dimensions (± mm)		Expert				
Class 1)	≤ 50	> 50 ≤ 180	> 180 ≤ 400	> 400	±3°	
Fine	0.5	1.0	1.5	2.0		
Medium	X 1.0	2.0	3.0	4.0		
Coarse	2.0	3.5	5.0	6.5		
Tapped Holes acc.		Mass	Scale	Material No.	Date of first issue: 2010-08-12	
1) Tolerance Class Applied Crossmarked		0.122 KG	1:1	432 407 100 0	Doc.Code	Language
		Size	CAD System	ECN-No.	Revision	Techn. Resp.
		A 2	Pro/E	-	-	5550
				Replacement for		Sheet
						005 ML 1/1
						100mm