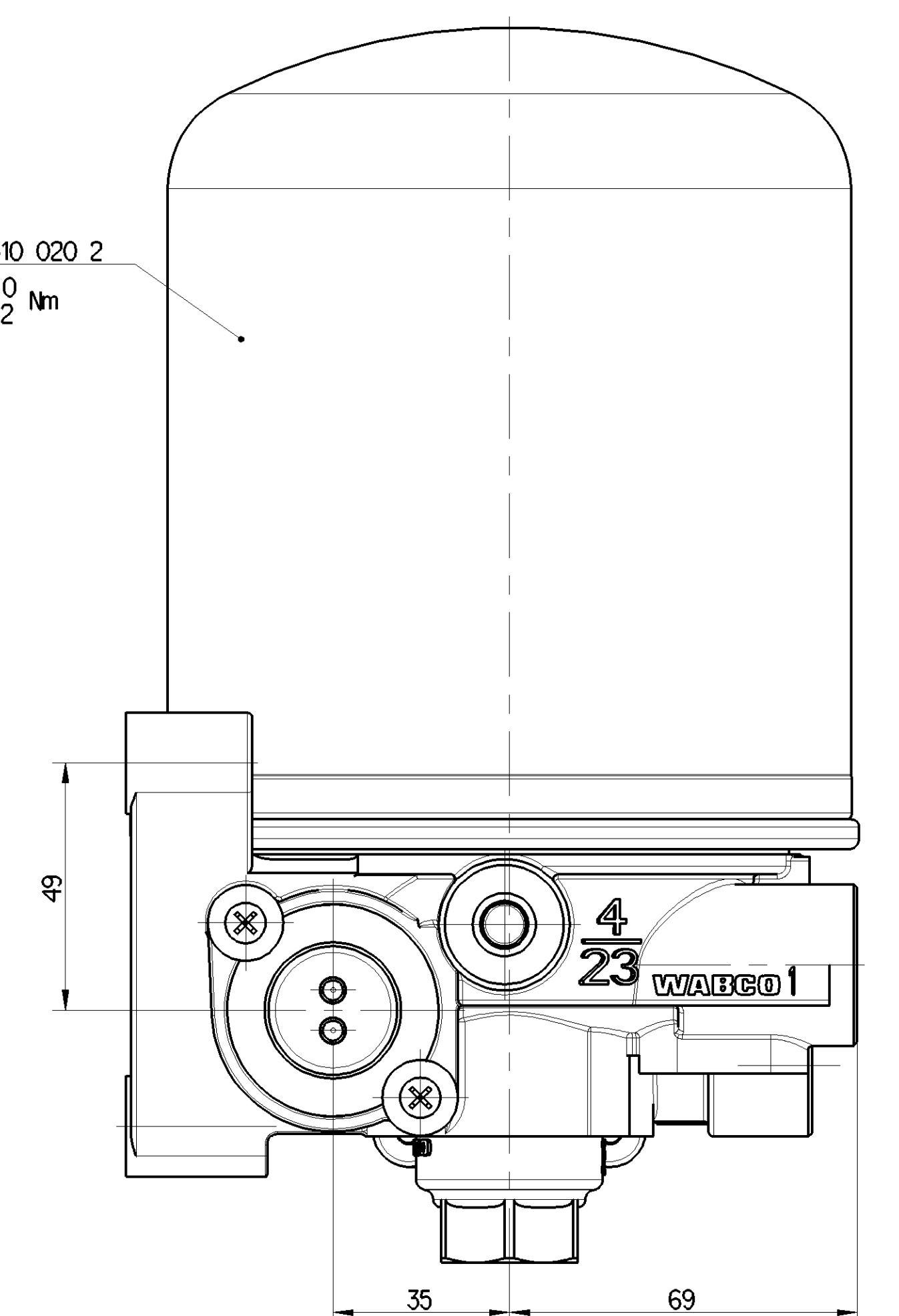
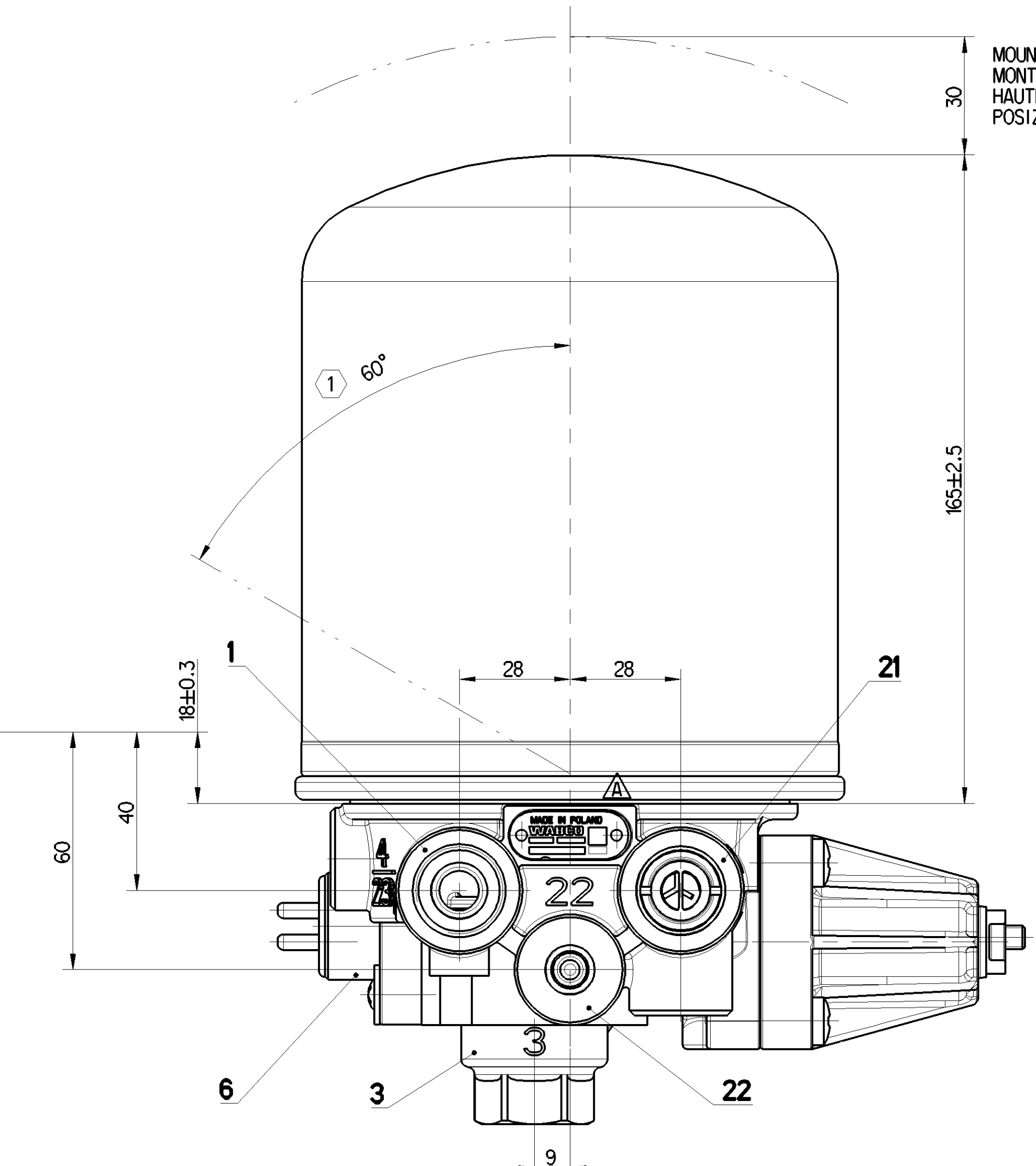
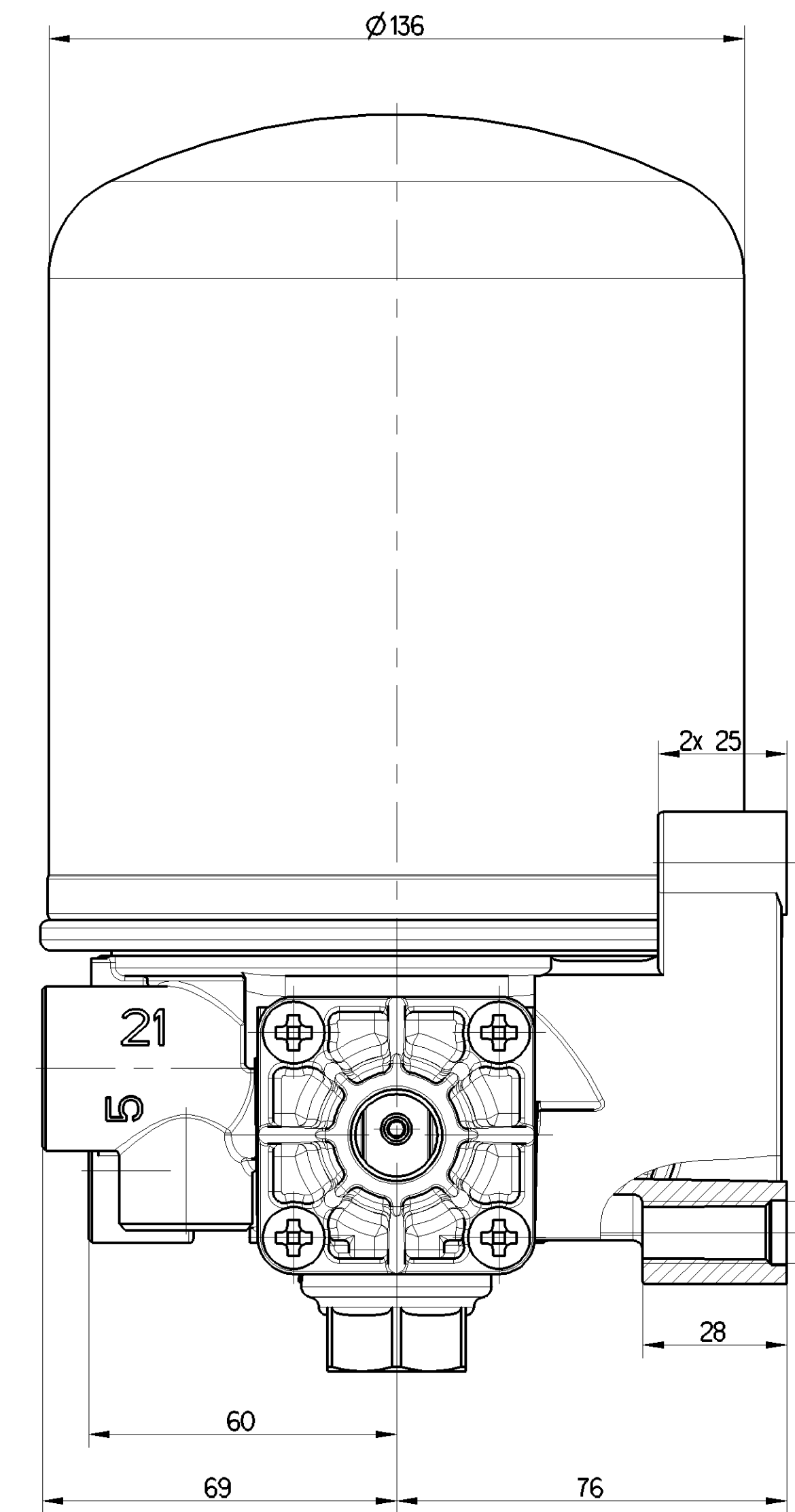
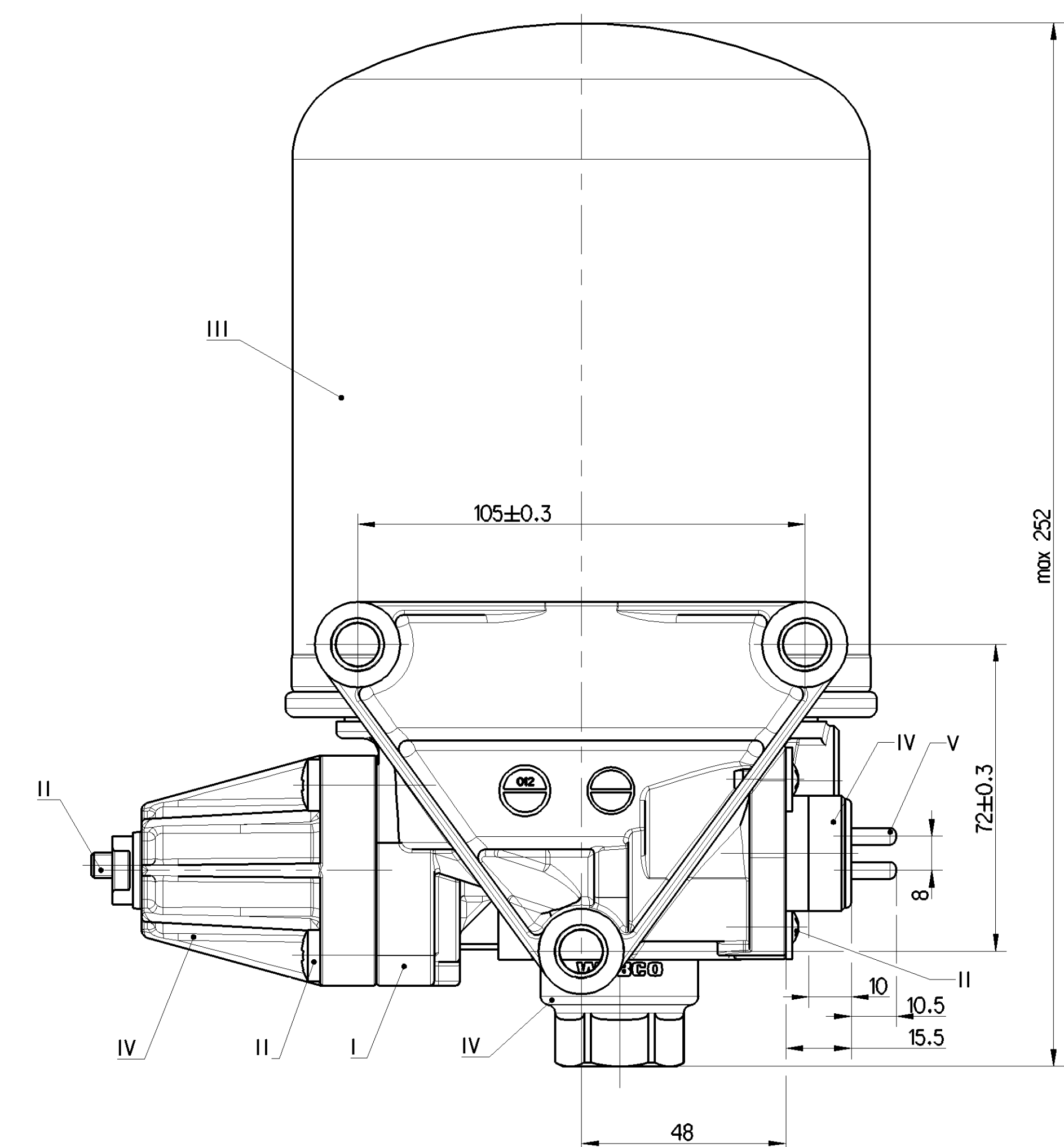
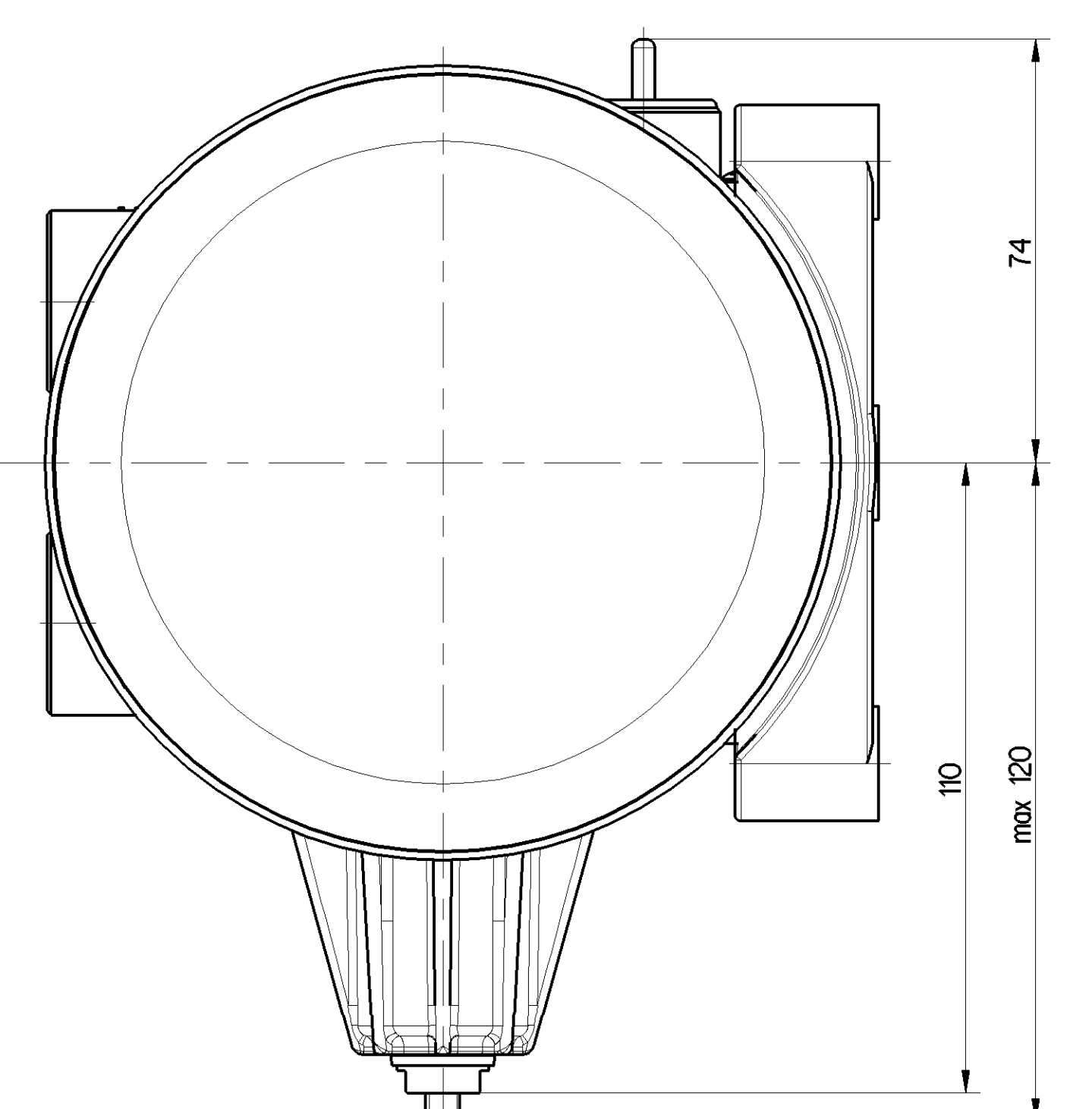


PART CODE	MATERIAL	SURFACE PROTECTION
I	ALUMINIUM ALLOY	CHROMATED
II	STEEL	PASSIVATED
III	STEEL	PAINTED
IV	PLASTIC	NO TREATMENT
V	BRASS	SILVER COATING



MOUNTING HEIGHT
MONTAGEHOEHE
HAUTEUR DE MONTAGE
POSIZIONE DI MONTAGGIO



TECHNICAL DATA, TECHNISCHE DATEN, CARACTERISTIQUES TECHNIQUES, CARATTERISTICHE TECNICHE

THERMAL RANGE OF CONTINUOUS APPLICATION:
THERMISCHER DAUERANWENDUNGSBEREICH:
PLAGE DE TEMPERATURE EN UTILISATION CONTINUE:
COMPO DI APPLICAZIONE CONTINUA: -40°C... +65°C

RESISTANCE TO HEAT:
WAERMEBESTAENDIGKEIT:
RESISTANCE A LA CHALEUR:
RESISTANZA AL CALORE: +80°C MAX.

MEDIUM:
MEDIUM:
FLUIDE:
FLUIDO: COMPRESSED AIR
DRUCKLUFT
AIR COMPRIME
ARIA COMPRESSA

WORKING PRESSURE:
BETRIEBSDRUCK:
PRESSION DE SERVICE:
PRESSIONE D' ESERCIZIO: Pe MAX.=13 bar

MAX. PERMISSIBLE FREQUENCY:
MAX. ZULAESSIGE FREQUENZ:
MAX. ADMISSIBLE FREQUENZE:
MAX. AMMISSIBILE FREQUENZA: 50 Hz

MAX. PERMISSIBLE ACCELERATION:
MAX. ZULAESSIGE BESCHLEUNIGUNG:
ACCELERATION MAX. ADMISSIBLE:
ACCELERAZIONE MAX. AMMESSA: ±10 xg

DYNAMIC PRESSURE OF SAFETY VALVE:
STAUDRUCK DES SICHERHEITSENTENSILES:
PRESSION DYNAMIQUE DU SOUPAPE DE SECURITE:
PRESSIONE DINAMICA DELLA VALVOLA DI SICUREZZA: 10⁻⁴ bar (BY $\dot{V}_N=100 \text{ dm}^3/\text{min}$)

TORQUES FOR CONNECTIONS:
ANZUGSMOMENT FÜR EINSCHRAUBSTUTZEN:
COUPLE DE SERRAGE DES RACCORDS:
COPPIA DI SERRAGGIO DEI RACCORDI: M2x1.5: Mmax = 21 Nm
M2x1.5: Mmax = 53 Nm

PERMITTED SILENCER:
FREIGEBOHNER GERÄUSCHDAEMPFER:
SILENCIEUX PERMIS:
SILENZIATORE AMMESSO: 432 407 060 0

COMBINED UNLOADER
DRUCKREGLER
REGULATEUR DE PRESSION
GRUPPO DI REGOLAZIONE

OUT OUT PRESSURE:
ABSCHALTDRUCK:
PRESSION D'OUVERTURE:
PRESSIONE D'APERTURA: 8.1±0.2 bar

OPERATING RANGE:
SCHALTSPANNE:
PLAGE DE REGULATION:
GAMME DI REGOLAZIONE: 0.6^{+0.4}₀ bar

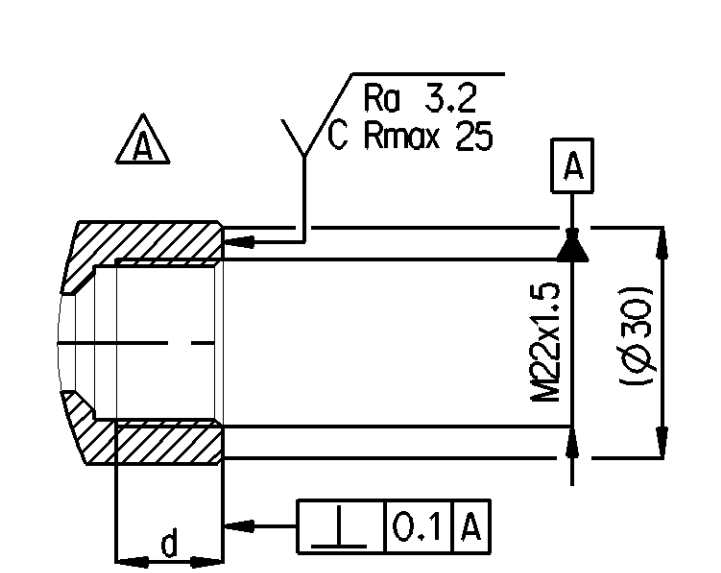
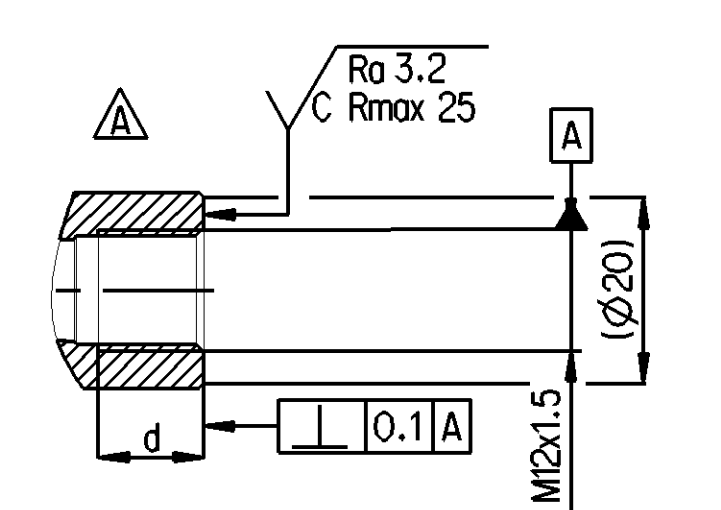
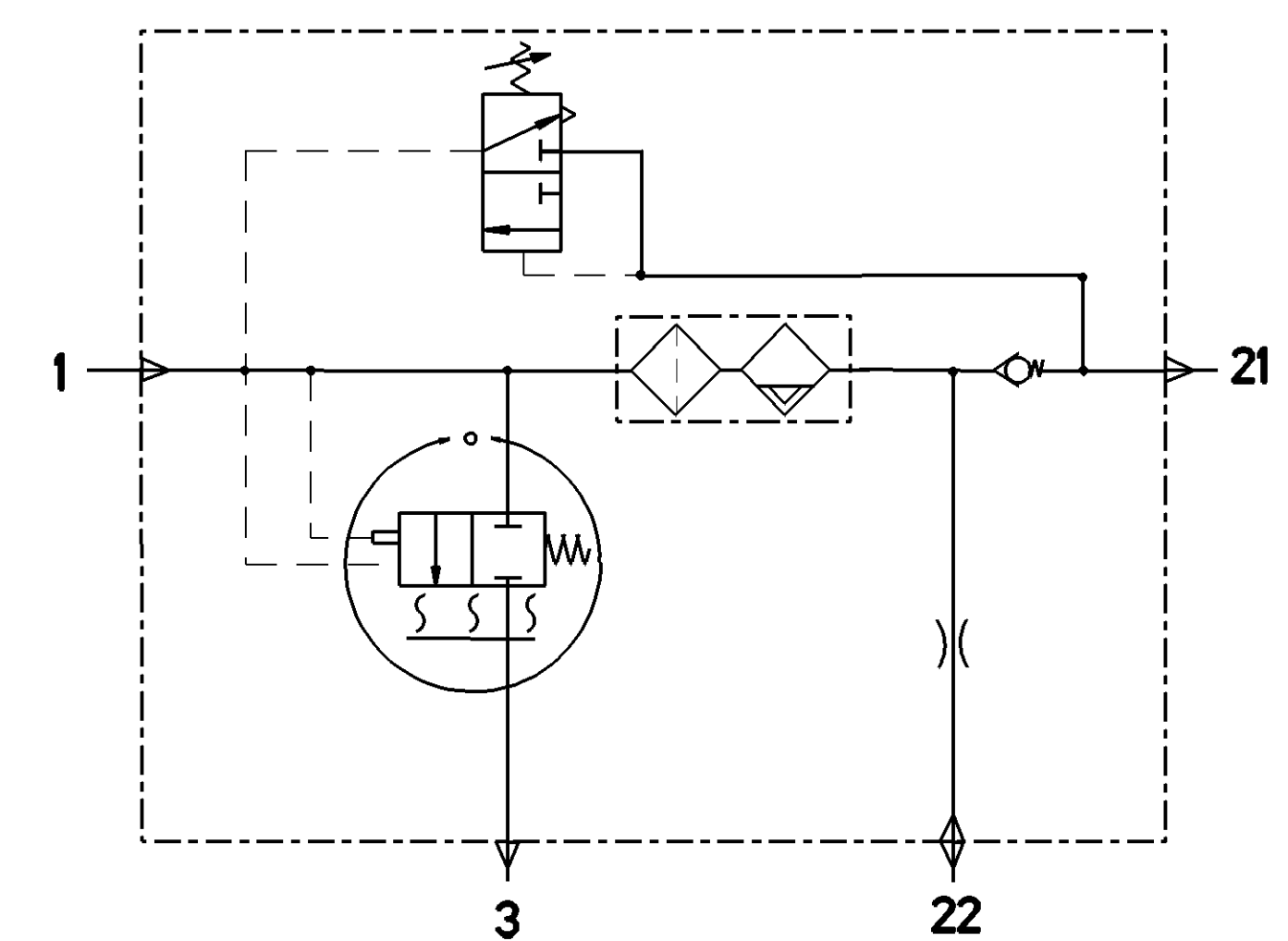
HEATING:
HEIZUNG:
CHAUFFAGE:
RISCALDAMENTO:

NOMINAL POWER:
NENNLEISTUNG:
PUISSANCE NOMINAL:
POTENZA NOMINALE: 100W

BATTERY VOLTAGE:
BATTERIESPANNUNG:
TENSION DE BATERIA:
TENSIONE DI BATERIA: 24.0 V DC

CUT IN TEMPERATURE:
EINSCHALT - TEMPERATUR:
TEMPERATURE DE FERMETURE:
TEMPERATURA DI CHIUSURA: 7 ±6 °C

CUT OUT TEMPERATURE:
AUSSCHALT-TEMPERATUR:
TEMPERATURE DE MISE:
TEMPERATURA DI APERTURA: 29.5 ±3.0 °C



PORT ANSCHLUSS ORIFICE ORIFIZIO	FUNCTION FUNCTION FONCTION FUNZIONE	THREAD GEWINDE FILETAGE FILETTATURA
1	FROM THE COMPRESSOR VOM KOMPRESSOR PROVENANT DU COMPRESSEUR PROVENIENTE DEL COMPRESSORE	M22x1.5 d=15
21	TO THE RESERVOIRS ZU DEN LUFTRBEHALTERN AUX RESERVOIR AL SERBATOII PER	M22x1.5 d=16
22	TO RESERVOIR FOR REGENERATION AIR ZUM REGENERATIONS-LUFTRBEHALTER AU RESERVOIR D'AIR DE REGENERATION AL SERBATOII PER L'ARIA RIGENERATA	M12x1.5 d=12
3	EXHAUST FOR COMPRESSED AIR ENTLUEFTUNG FUER DRUCKLUFT ECHAPPEMENT POUR AIR COMPRIME SCARICO PER ARIA COMPRESSA	-
6	HEATING CHAUFFAGE RISCALDAMENTO	M27x1

General Specification: ISO 8015, A8-334-1, Size ISO 14405 LP
Further Technical Data: Product Specification
Doc. Code: 026
Date: 2022-06-27
Sheet: 1 To 6
Copyright: wabco®
2022-06-31
Karyeski
Koskravco
AIR DRYER
LUFTTROCKNER
DESSICATEUR D' AIR
ESSICCATORE D' ARIA
432 410 000 0
005 ML 1/1
A 0 ORO 50090 4 x A 5050

This document is the property of WABCO. It is intended for use by the customer and is not to be distributed outside the customer's organization. Any reproduction or use of this document without the written consent of WABCO is prohibited. WABCO shall not be held liable for any damage or loss resulting from the use of this document. The information in this document is subject to change without notice.