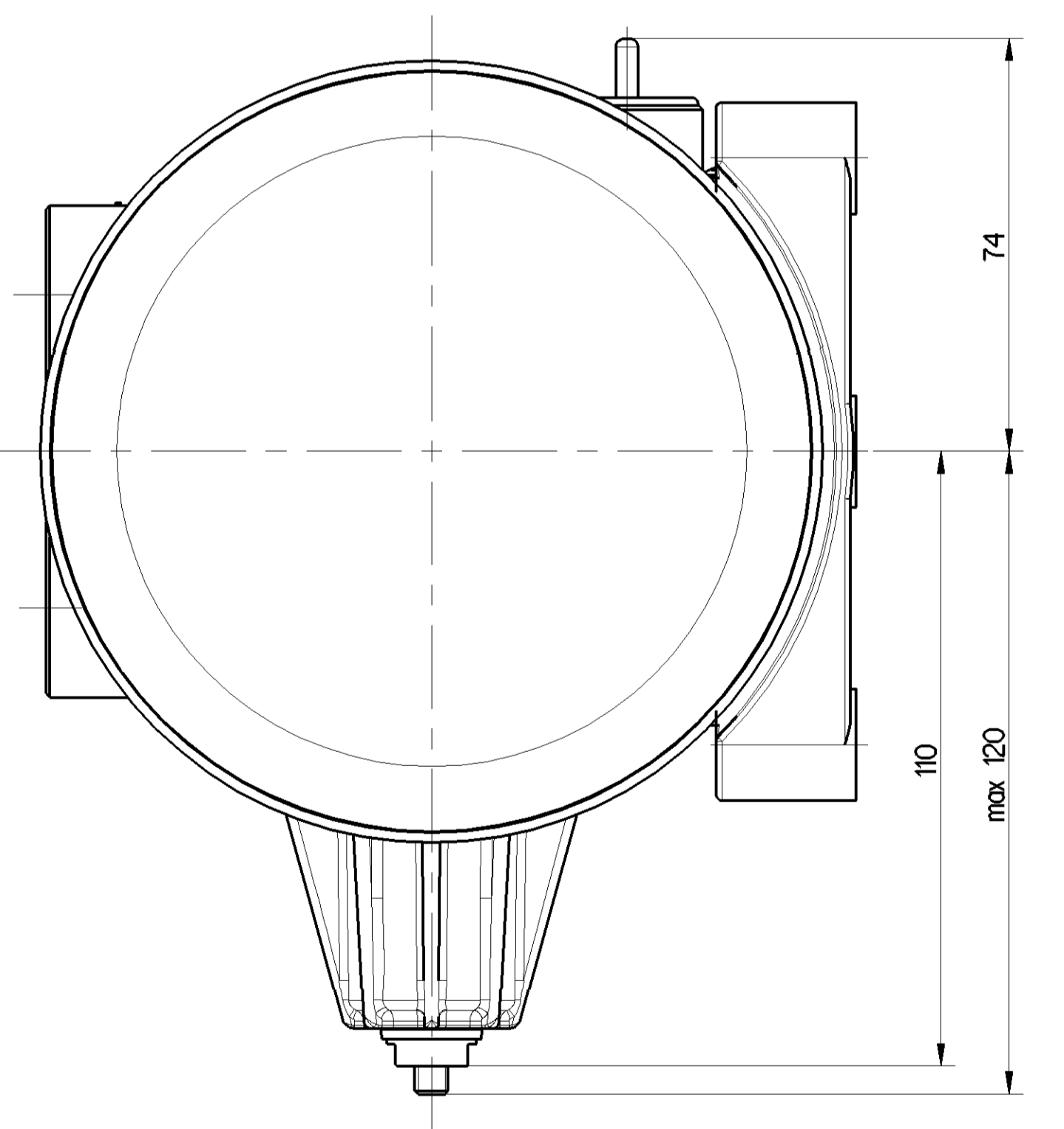
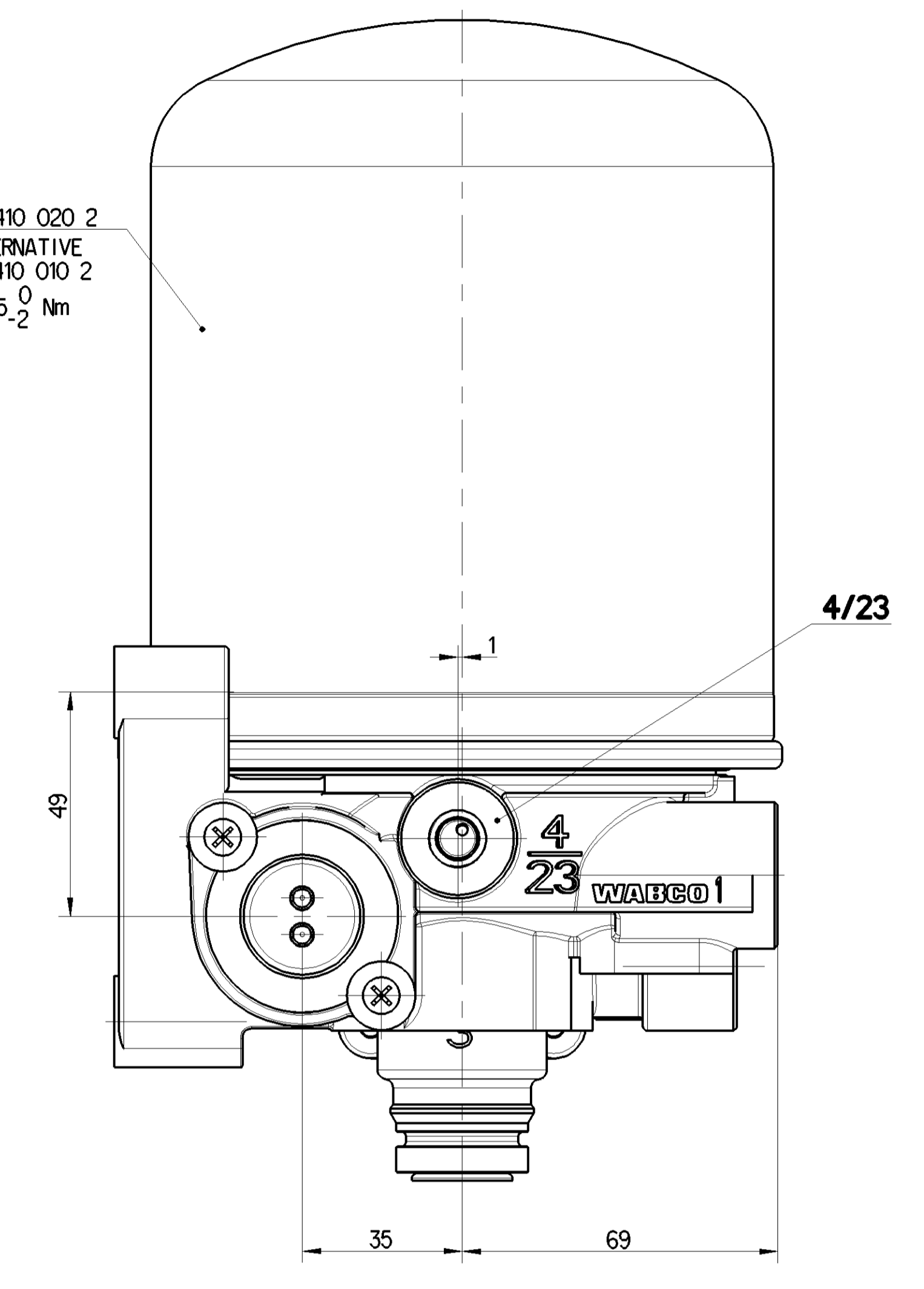
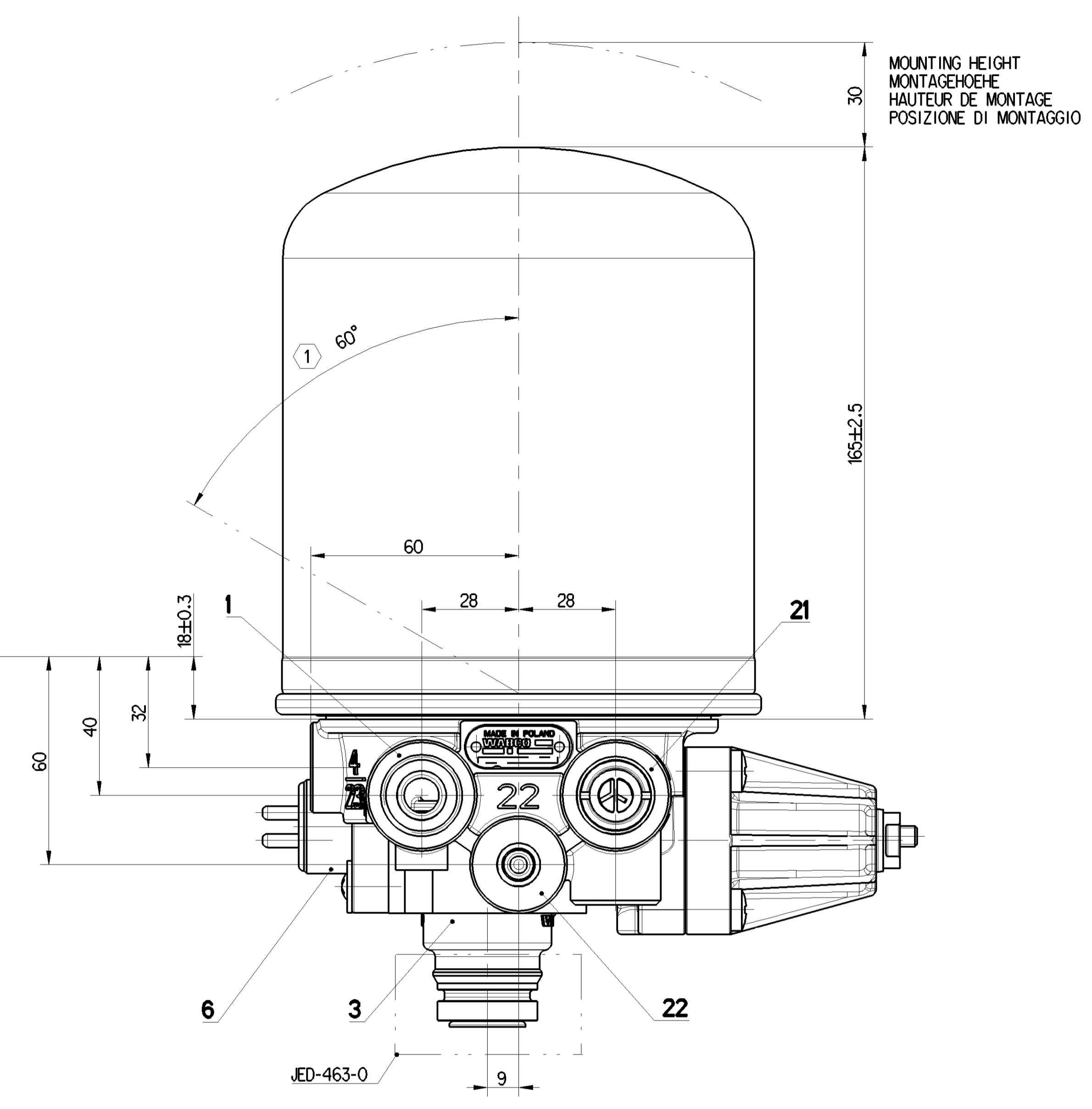
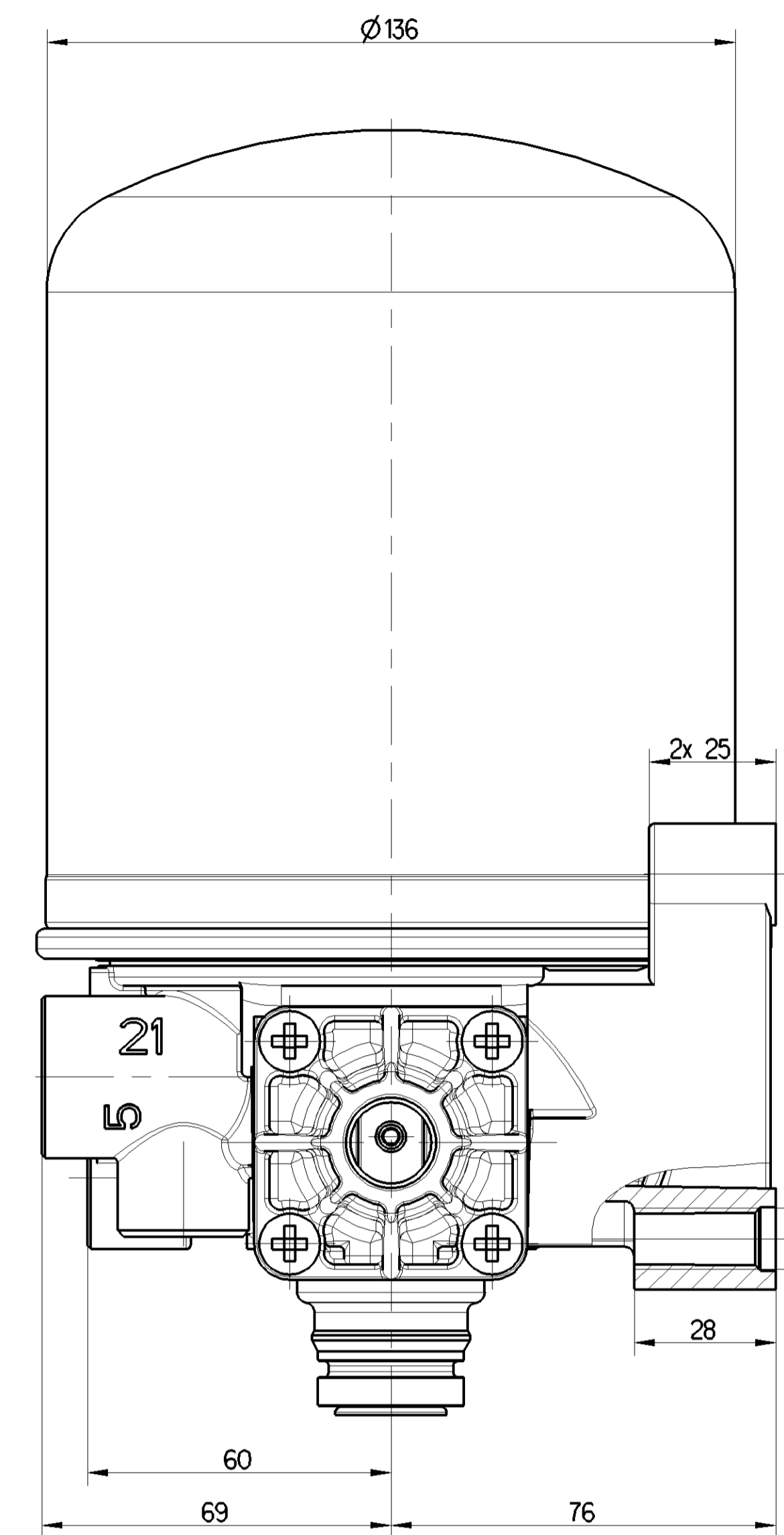
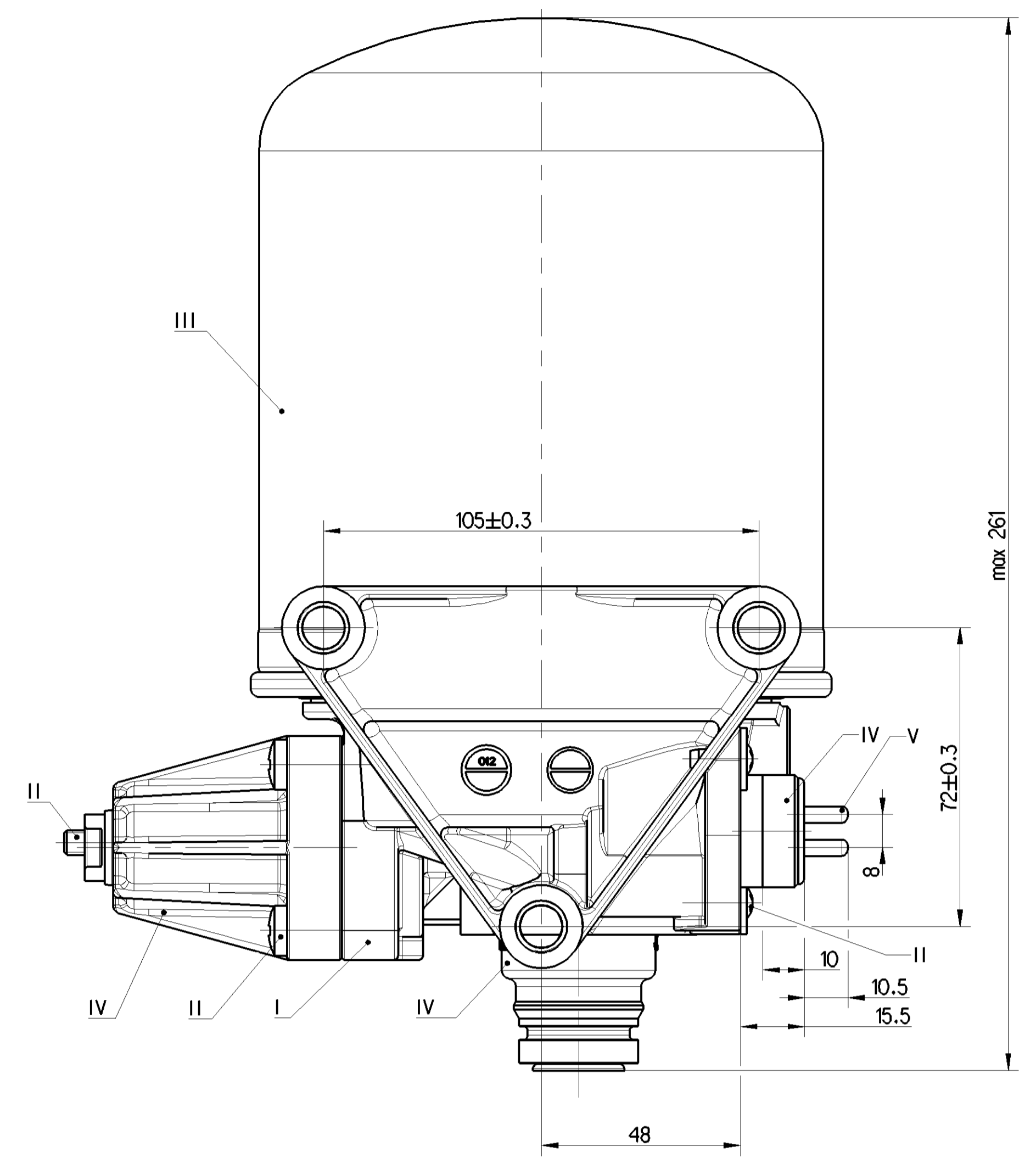


EXTERNAL SURFACE ÄUSSERE OBERFLÄCHE SURFACE EXTERIEURE SUPERFICIE ESTERNA
I JED-259
II JED-256
III JED-471-0 BLACK/SCHWARZ
IV PLASTIC/KUNSTSTOFF
V JED-570-656

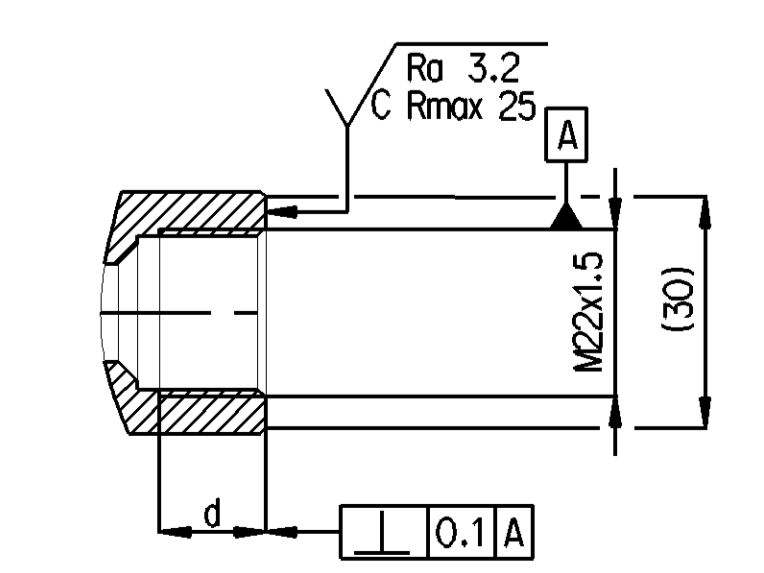
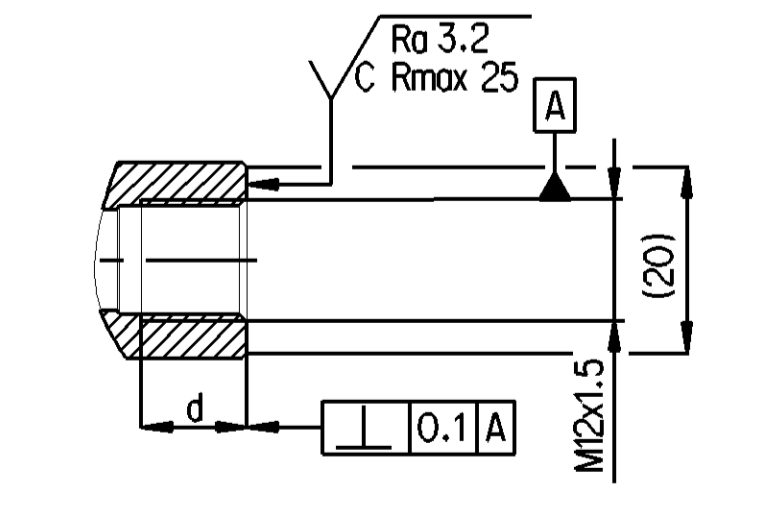
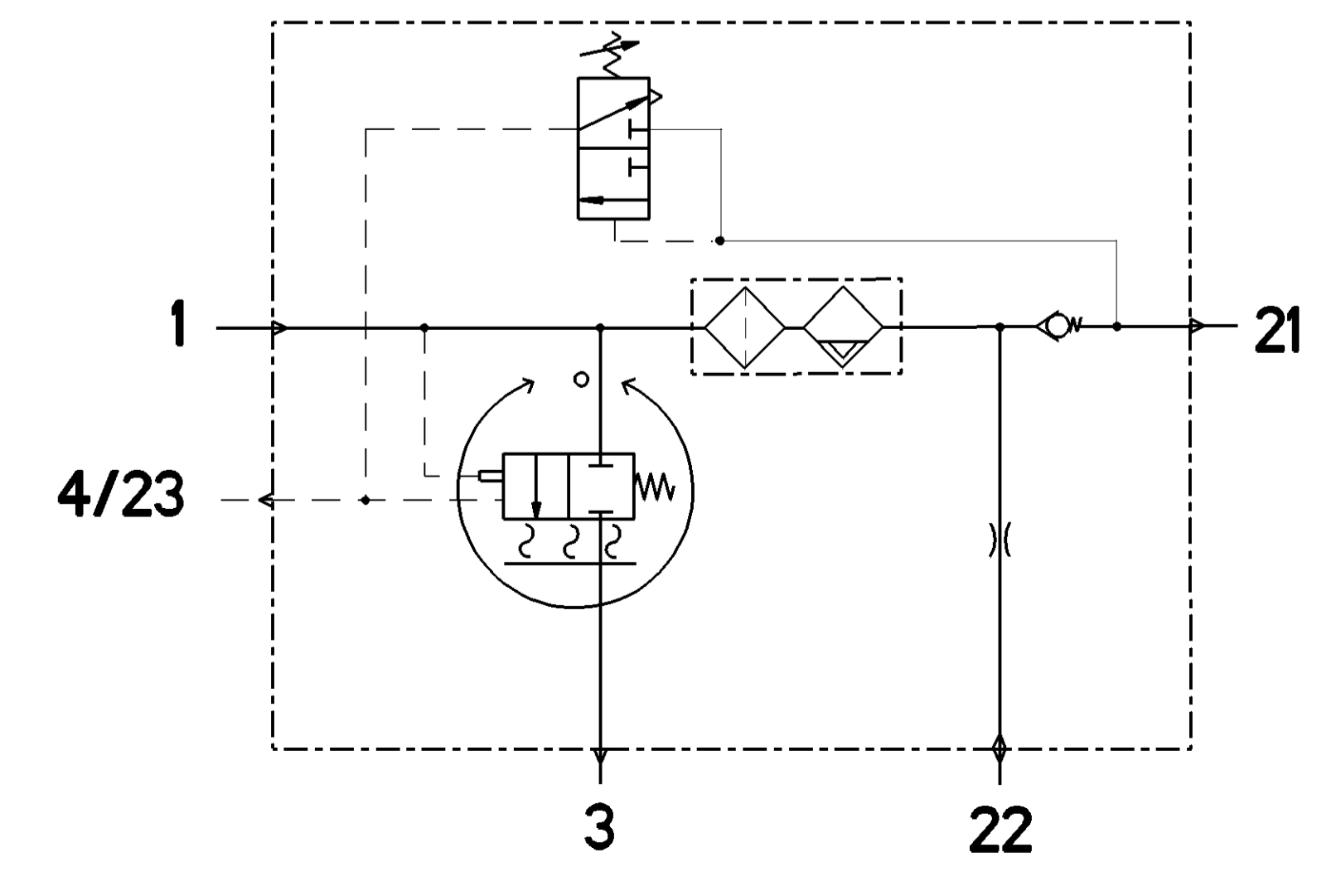


TECHNICAL DATA, TECHNISCHE DATEN, CARACTERISTIQUES TECHNIQUES, CARATTERISTICHE TECNICHE

THERMAL RANGE OF CONTINUOUS APPLICATION: THERMISCHER DAUERANWENDUNGSBEREICH: PLAGE DE TEMPERATURE EN UTILISATION CONTINUE: COMPO DI APPLICAZIONE CONTINUA:	-40°C... +65°C
RESISTANCE TO HEAT: WAERMEBESTAENDIGKEIT: RESISTANCE A LA CHALEUR: RESISTANZA AL CALORE:	+80°C MAX.
MEDIUM: MEDIUM: FLUIDE: FLUIDO:	COMPRESSED AIR DRUCKLUFT AIR COMPRIE ARIA COMPRESSA
WORKING PRESSURE: BETRIEBSDRUCK: PRESSION DE SERVICE: PRESSIONE D' ESERCIZIO:	Pe MAX. +13 bar
MAX. PERMISSIBLE FREQUENCY: MAX. ZULAESSIGE FREQUENZ: MAX. ADMISSIBLE FREQUENCE: MAX. AMMISSIBILE FREQUENZA:	50 Hz
MAX. PERMISSIBLE ACCELERATION: MAX. ZULAESSIGE BESCHLUNGUNG: ACCELERATION MAX. ADMISSIBILE: ACCELERAZIONE MAX. AMMISSA:	±10 xg
DYNAMIC PRESSURE OF SAFETY VALVE: STÄNDERDRUCK DES SICHERHEITSVENTILES: PRESSION DYNAMIQUE DU SOUPAPE DE SECURITE: PRESSIONE DINAMICA DELLA VALVOLA DI SICUREZZA:	10 ⁺⁴ ₀ bar (BY 100 d100 d1/min)
TORQUES FOR CONNECTIONS: ANZUGSMOMENT FUER EINSCHRAUBSTUTZEN: COUPLE DE SERRAGE DES RACCORDS: COPPIA DI SERRAGGIO DEI RACCORDI:	M12x1.5; Mmax = 21 Nm M22x1.5; Mmax = 53 Nm
1 INSTALLATION POSITION AS DRAWN EINBAUILLAGE WIE GEZEICHNET POSITION D' INSTALLATION SUIVANT DESSIN POSIZIONE DI MONTAGGIO COME DISEGNATO	
PERMITTED SILENCER: FREIGELEGEBNER GERÄUSCHDAEMPFER: SILENCIEUX PERMIS: SILENZIATORE AMMESSO:	432 407 012 0 432 407 070 0

COMBINED UNLOADER DRUCKREGLER REGULATEUR DE PRESSION GRUPPO DI REGOLAZIONE	8.5±0.2 bar
OUT OUT PRESSURE: ABSCHALDRUCK: PRESSION D'OUVERTURE: PRESSIONE D' APERTURA:	0.7 ^{+0.5} ₀ bar
OPERATING RANGE: SCHALTSPANNE: PLAGE DE REGULATION: GAMME DI REGOLAZIONE:	

HEATING: HEIZUNG: CHAUFFAGE: RISCALDAMENTO:	
NOMINAL POWER: NENNLEISTUNG: PUISSANCE NOMINALE: POTENZA NOMINALE:	100W
BATTERY VOLTAGE: BATTERIESPANNUNG: TENSION DE BATERIA: TENSIONE DI BATERIA:	24.0 V DC
CUT IN TEMPERATURE: EINSCHALT - TEMPERATUR: TEMPERATURE DE FERMETURE: TEMPERATURA DI CHIUSURA:	7 ±6 °C
CUT OUT TEMPERATURE: AUSCHALT-TEMPERATUR: TEMPERATURE DE MISE: TEMPERATURA DI APERTURA:	29.5 ±3.0 °C



PORT ANSCHLUSS ORIFICE ORIFIZIO	FUNCTION FUNCTION FONCTION FUNZIONE	THREAD GEWINDE FILETTAGE FILETTATURA
1	FROM THE COMPRESSOR VOM LUFTPRESSER PROVENANT DU COMPRESSEUR PROVENIENTE DEL COMPRESSORE	M22x1.5 d=15
21	TO THE RESERVOIRS ZU DEN LUFTBEHAELTERN AUX RESERVOIR AL SERBATOII PER	M22x1.5 d=16
22	TO THE RESERVOIRS FOR REGENERATED AIR ZUM REGENERATIONS-LUFTBEHALTER AUX RESERVOIRS D' AIR REGENERE AL SERBATOII PER L' ARIA RIGENERATA	M12x1.5 d=12
3	EXHAUST FOR COMPRESSED AIR ENTLUEFTUNG FUER DRUCKLUFT ECHAPPEMENT POUR AIR COMPRIE SCARIO PER ARIA COMPRESSA	-
4/23	CONTROL PORT / TO COMPRESSOR STEUERANSCHLUSS / ZUM COMPRESSEUR ORIFICE DE COMMANDE / AU COMPRESSEUR ORIFIZIO DI COMANDO / A COMPRESSORE	M12x1.5 d=12
6	HEATER HEIZUNG CHAUFFAGE RISCALDAMENTO	M27x1

General Specifications: JED-554-1, Size ISO 14400 LP	Copyright WABCO®	WABCO
Further Technical Data: Product Specification	Doc. Code: 050	2018-02-06
General Tolerances: JED-261	2018-02-08	2018-02-08
Class to: 1, 50, 180, 400	Medium: X	4.23
Size: 1.0, 2.0, 3.0, 4.0, 5.0, 6.5	Size: 16	A 0
Tapped holes acc. JED-152	1:1	432 410 007 0
Tolerance class: H7/g6	0.006	006 ML 1/1
Material: Steel	15710	5050
Revised from: 432400700		