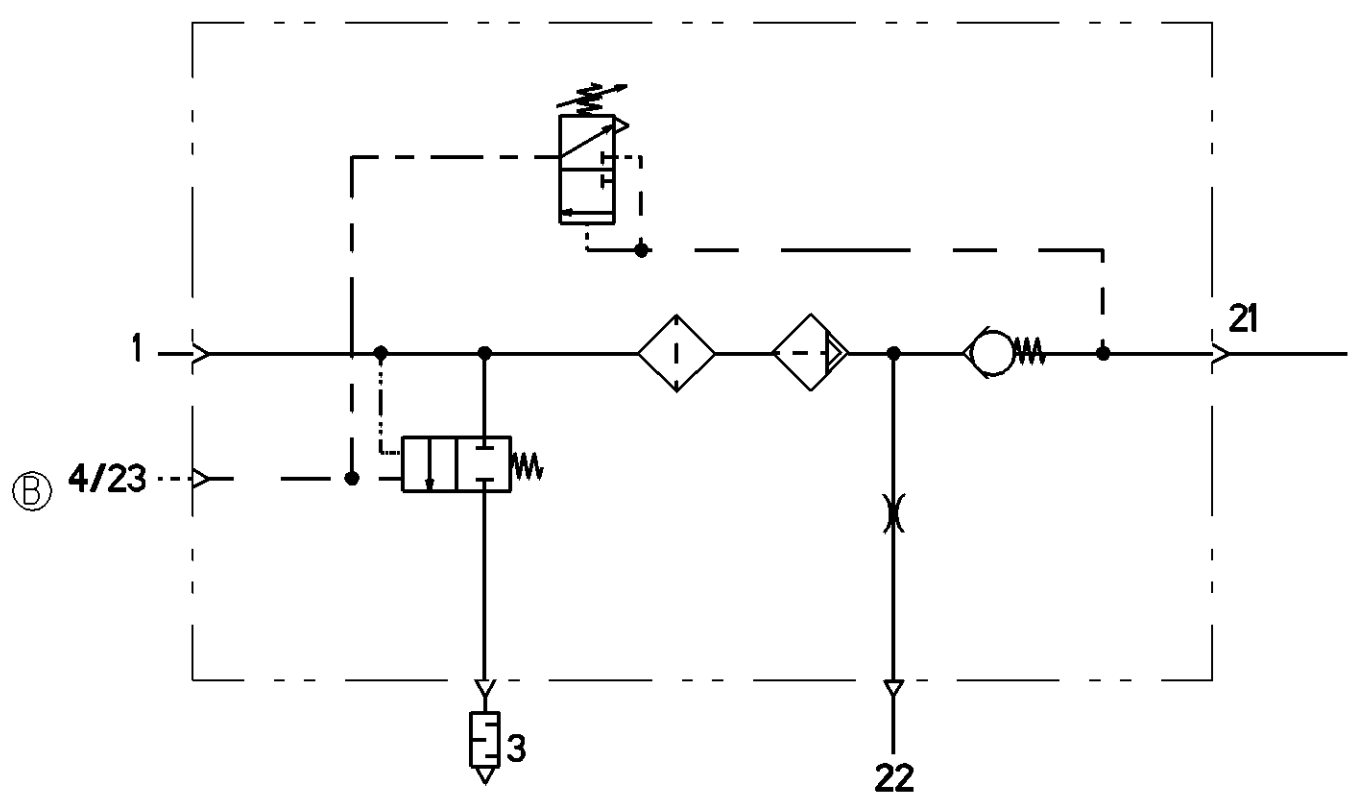
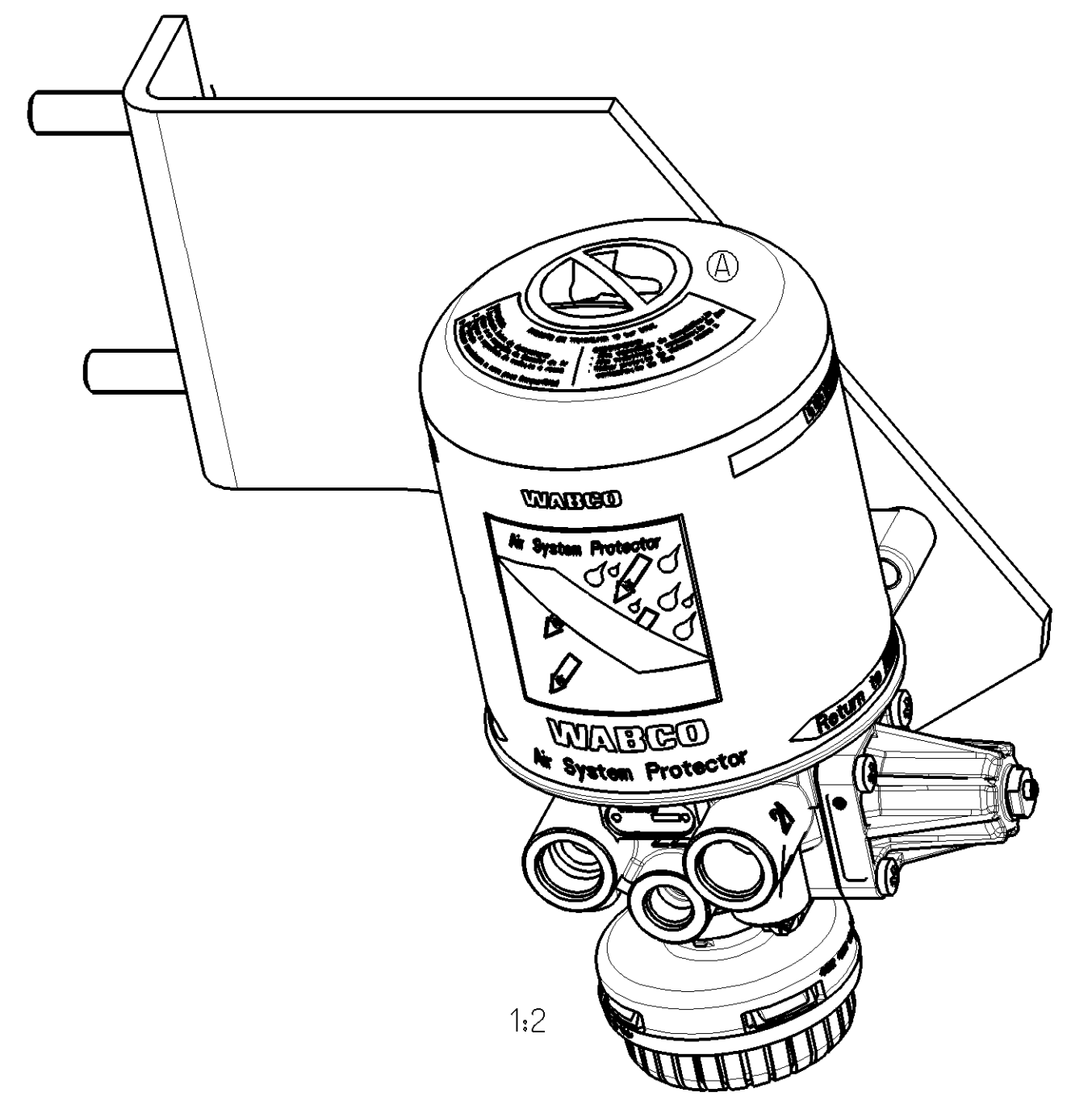
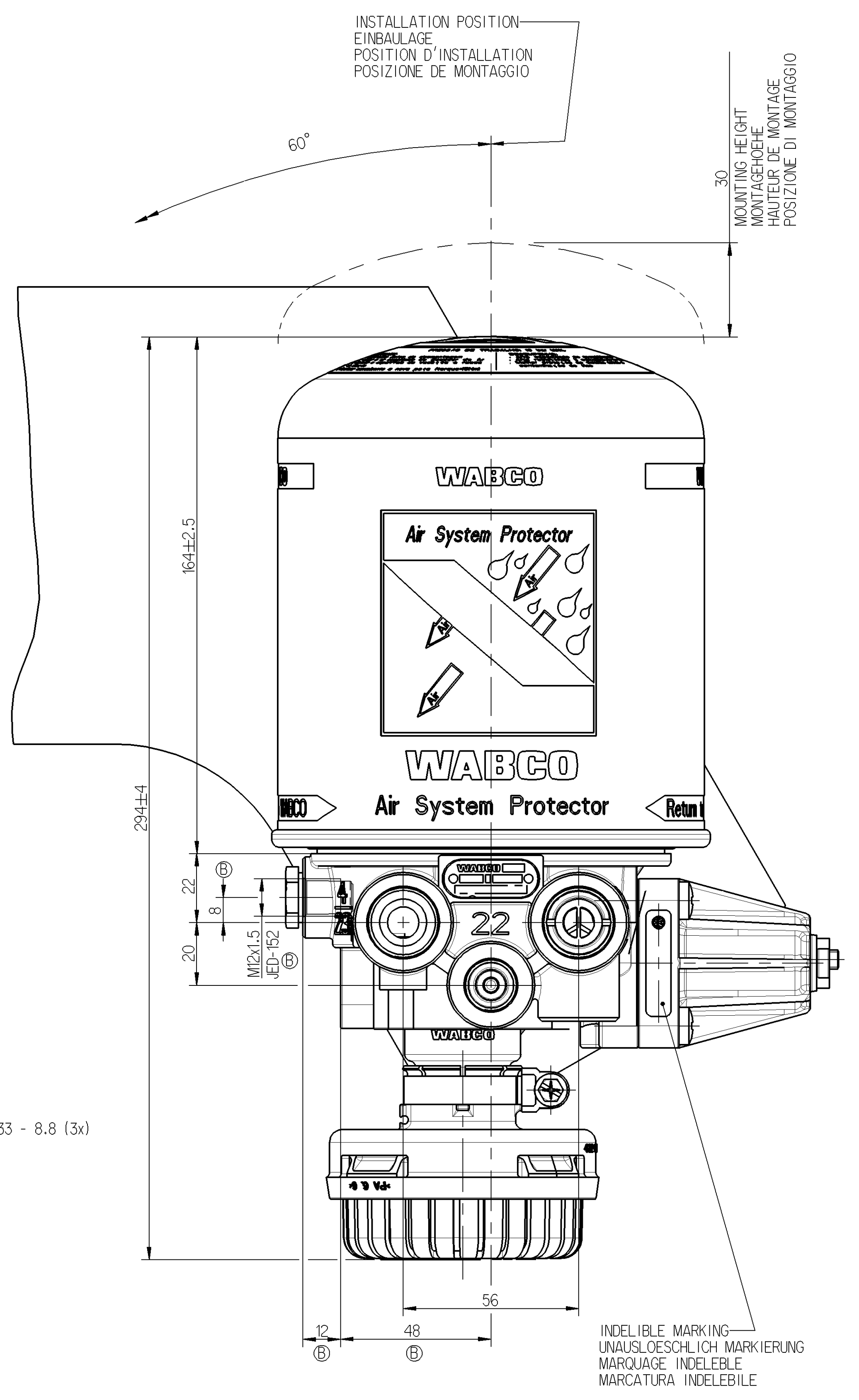
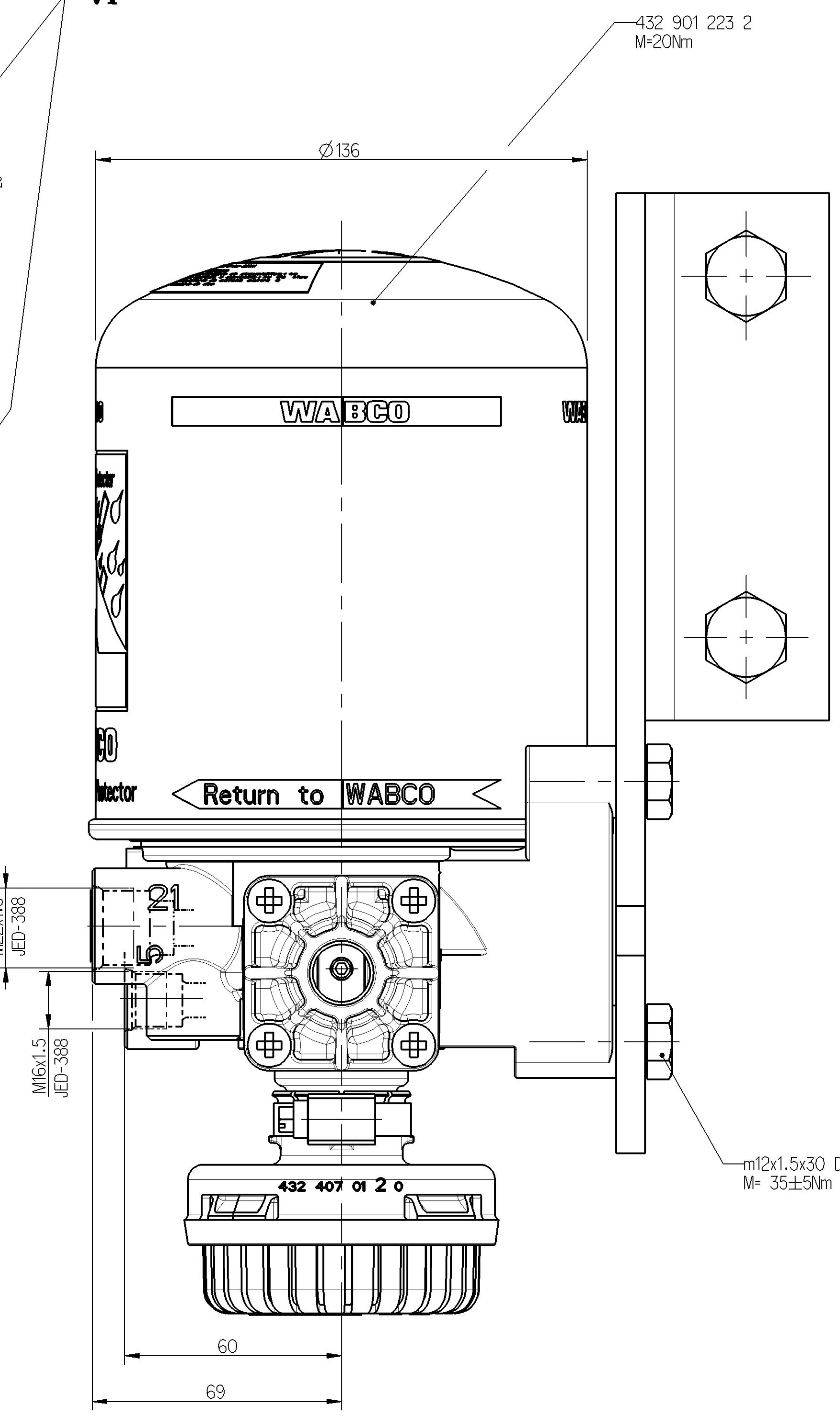
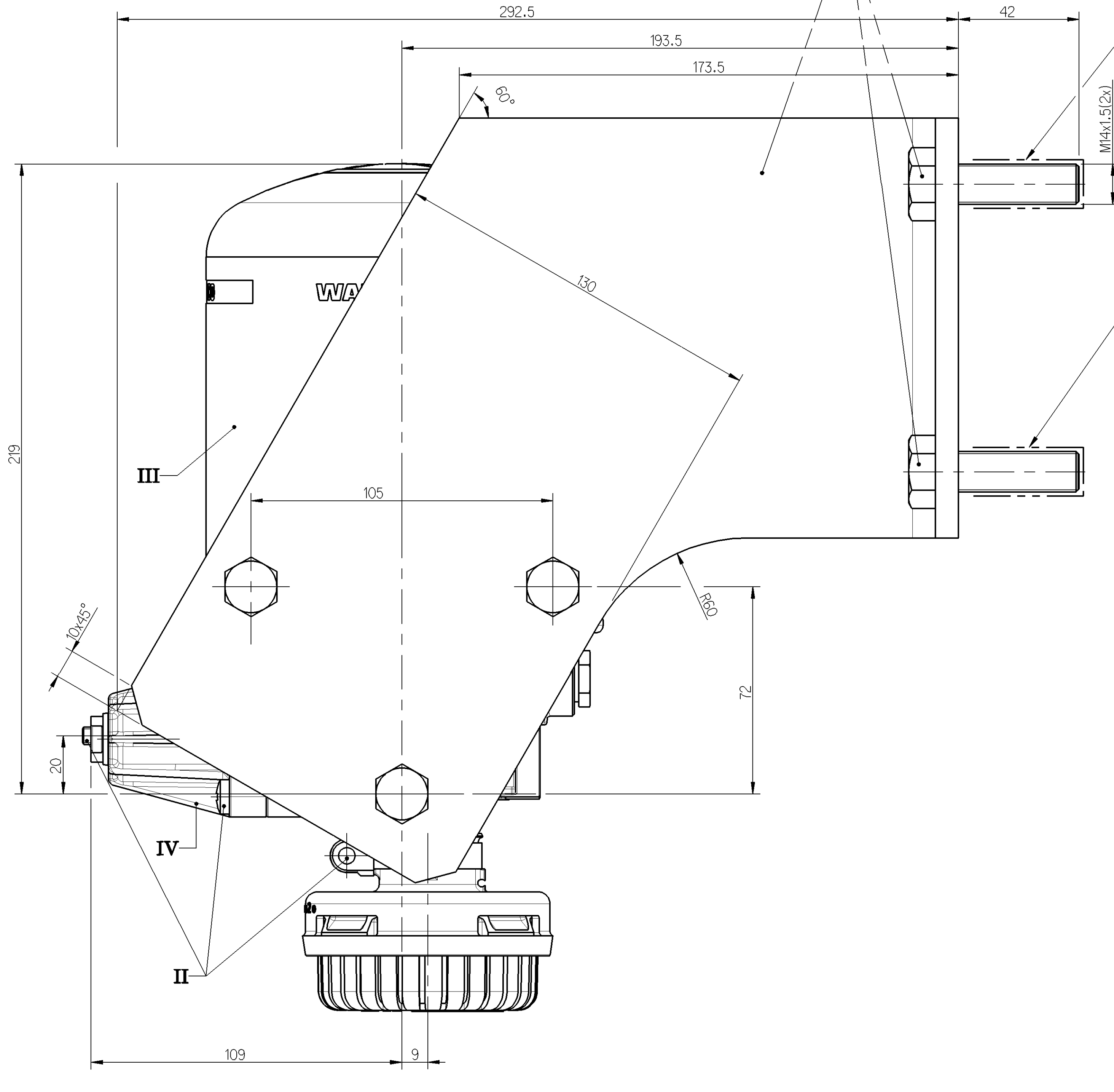
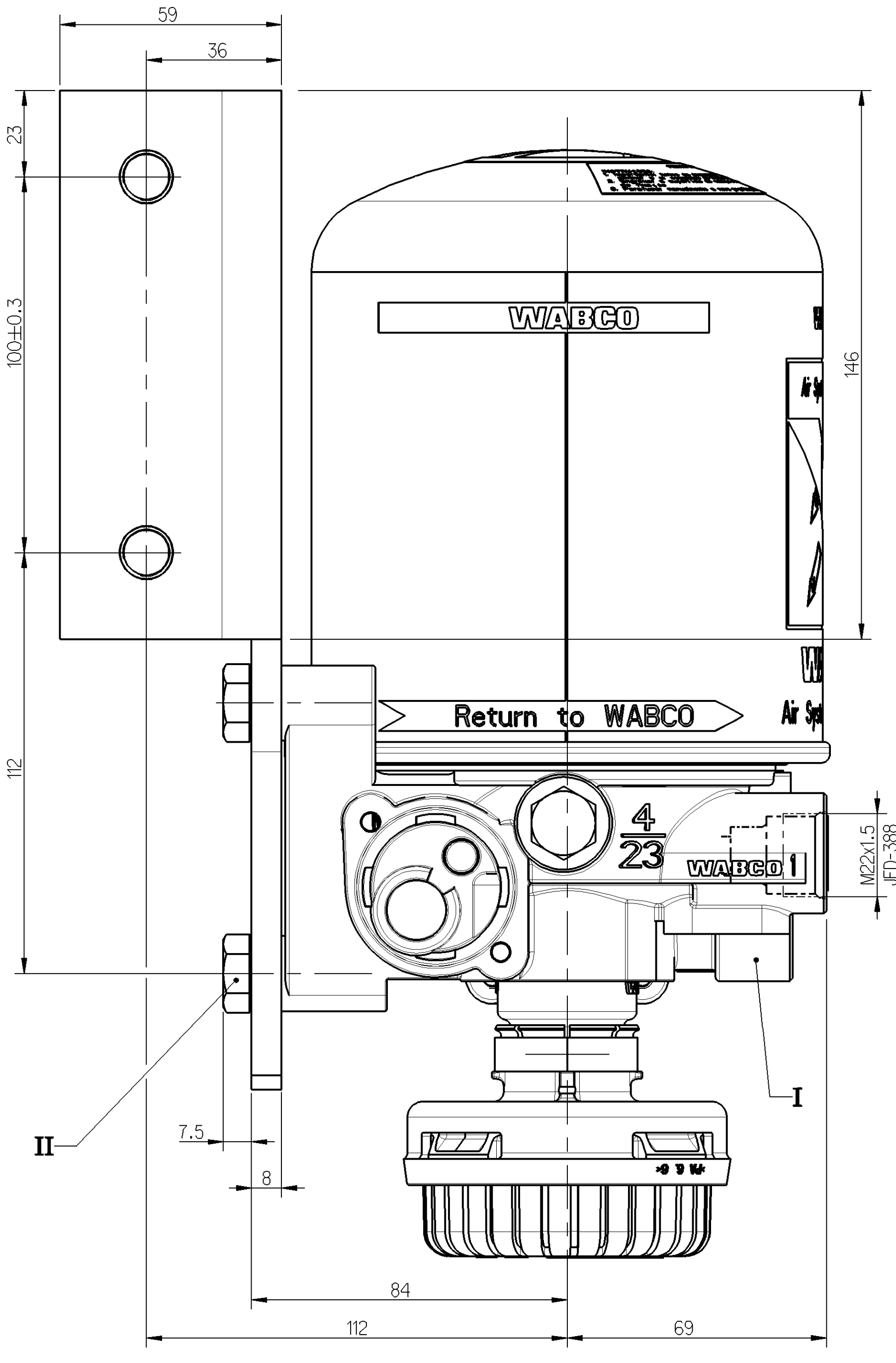


SURFACE PROTECTION OBERFLÄCHENSCHUTZ PROTECTION DE SURFACE PROTEZIONE SUPERFICIALE	
I	JED-259
II	JED-256-4
III	JED-471 WHITE/WEISS
IV	JED-CLASS 25
V	JED-240-5
VI	JED-371



- 1 FROM THE COMPRESSOR
VOM KOMPRESSOR
PROVENANT DU COMPRESSEUR
PROVENIENTE DEL COMPRESSORE
- 21 TO THE RESERVOIRS
ZU DEN LUFTBEHALTERN
AUX. RESERVOIR
AL SERBATOI I PER
- 22 TO THE RESERVOIRS FOR REGENERATED AIR
ZUM REGENERATIONS-LUFTBEHALTER
AUX RESERVOIRS D'AIR REGENERE
AL SERBATOI PER L'ARIA RIGENERATA
- ④ 4/23 TO THE COMPRESSOR
ZUM KOMPRESSOR
AU COMPRESSEUR
AL COMPRESSORE
- 3 EXHAUST FOR COMPRESSED AIR
ENTLUEFTUNG FUER DRUCKLUFT
ECHAPPEMENT POUR AIR COMPRI ME
SCARICO PER ARIA COMPRESSA

1 THERMAL RANGE OF CONTINUOUS APPLICATION
THERMISCHER DAUERANWENDUNGSBEREICH
PLAGE DE TEMPERATURE EN UTILISATION CONTINUE
COMPO DI APPLICAZIONE CONTINUA

2 RESISTANCE TO HEAT
WAERMEBESTAENDIGKEIT
RESISTANCE A LA CHALEUR
RESISTENZA AL CALORE

3 MEDIUM: COMPRESSED AIR
MEDIUM: DRUCKLUFT
FLUIDE: AIR COMPRI ME
FLUIDO: ARIA COMPRESSA

4 WORKING PRESSURE
BETRIEBSDRUCK
PRESSION DE SERVICE
PRESSIONE D'ESERCIZIO

5 MAX. PERMISSIBLE FREQUENCY
MAX. ZULAESSIGE FREQUENZ
MAX. AMMISSIBILE FREQUENZA

6 TORQUE FOR CONNECTIONS
ANZUGSMOMENT FUER EINSCHRAUBSTUTZEN
COUPLE DE SERRAGE DES RACCORDS
COPPIA DI SERRAGGIO DEI RACCORDI

7 COMBINED UNLOADER
DRUCKREGLER
REGULATEUR DE PRESSION
GRUPPO DI REGOLAZIONE

8 CUT OUT PRESSURE
ABSCHALTDRUCK
PRESSION D'OUVERTURE
PRESSIONE D'APERATURA

9 OPERATING RANGE
SCHALTSPANNE
PLAGE DE REGULATION
GAMME DI REGOLAZIONE

10 MAX. PERMISSIBLE ACCELERATION
MAX. ZULAESSIGE BESCHLEUNIGUNG
ACCELERATION MAX. AMMISSIBILE
ACCELERAZIONE MAX. AMMESSA

11 INSTALLATION POSITION AS DRAW
EINBAULAGE WIE GEZEICHNET
POSITION D'INSTALLATION SUIVANT DESSIN
POSIZIONE DI MONTAGGIO COME DISEGNATO

COMBINED UNLOADER	CUT OUT PRESSURE	DYNAMIC PRESSURE OF THE SAFETY VALVE
REGULATEUR DE PRESS.	ABSCHALTDRUCK	STAUDRUCK DES SICHERHEITSVENTILES
GRUPPO DI REGOLAZIONE	PRESSION DE DECL.	PRESSIOME DYNAMICA DELLA VALVOLA DI SICUREZZA
	PRESSIONE D'APERT	PRESSIOME DINAMICA DELLA VALVOLA DI SICUREZZA
(bar)	(bar)	(bar)
7.1 ± 8.5	≤ 14.5 (BEI Vn= 100cm ³ /min.)	≤ 14.5 (BEI Vn= 100cm ³ /min.)
8.6 ± 10.0	≤ 16.0 (BEI Vn= 100cm ³ /min.)	≤ 16.0 (BEI Vn= 100cm ³ /min.)

General Specification: JED-334-0		Copyright WABCO		WABCO	
Further Technical Data		Date		Structure	
Doc. Code		2006-10-20		S.P. Alreth	
General Tolerances (JED-261)		2006-11-07		Remezi	
Range of Nominal Dimensions (L x mm)		2006-11-07		Remezi	
Class	± 0.10	± 0.15	± 0.20	± 0.30	± 0.40
Size	0.5	1.0	1.5	2.0	2.5
Medium	X	2.0	3.0	4.0	4.0
Source	2.0	3.5	5.0	6.5	6.5
Material No.	432 410 015 0		005		1/1
Function Code	005		1/1		1/1
Revision	0.0		0.0		0.0

This document is the property of WABCO. It is not to be distributed, copied, or reproduced in any form without the written consent of WABCO. The information contained herein is confidential and may be subject to patent or other intellectual property rights. WABCO is not responsible for any damage or loss resulting from the use of this information.