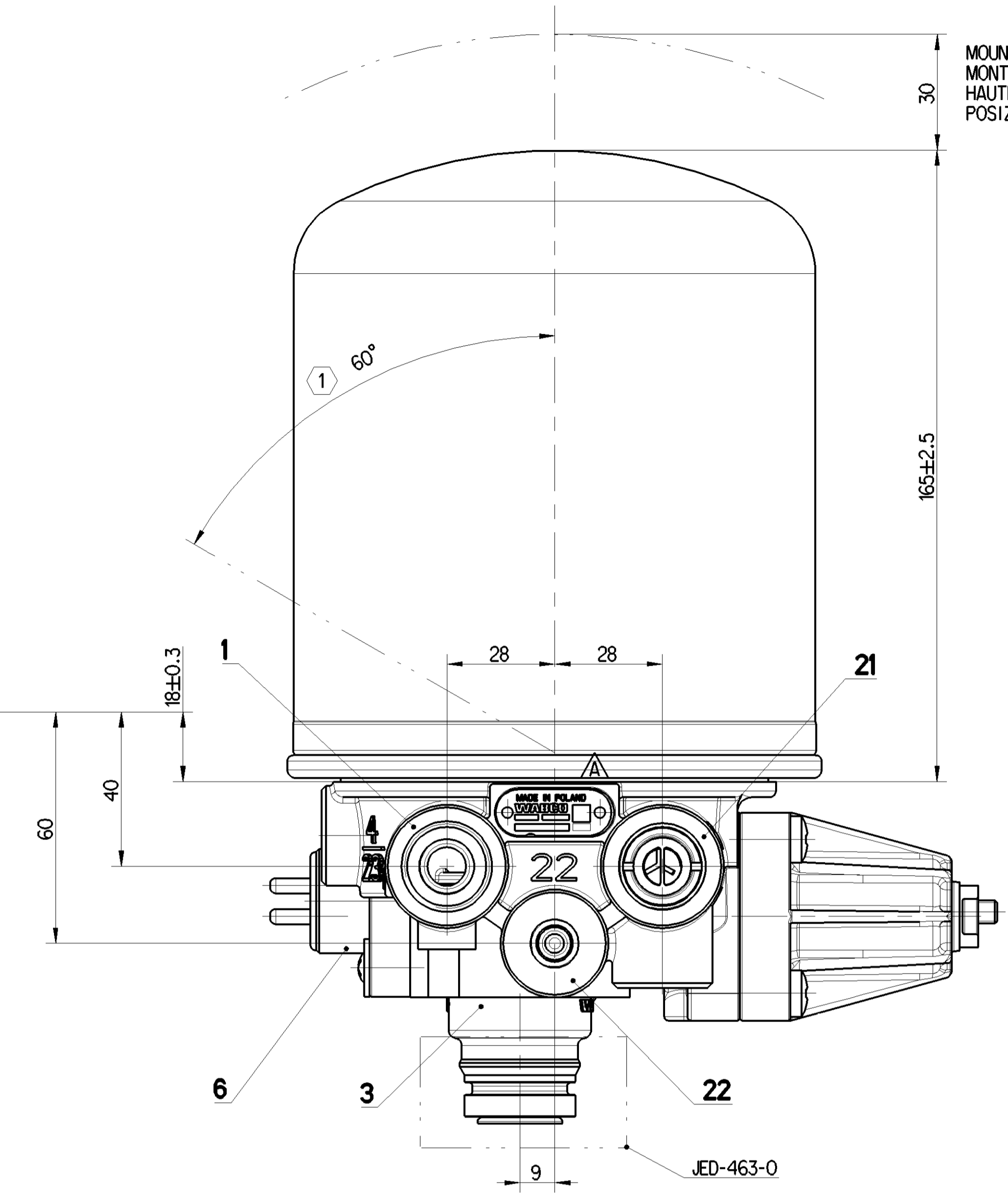
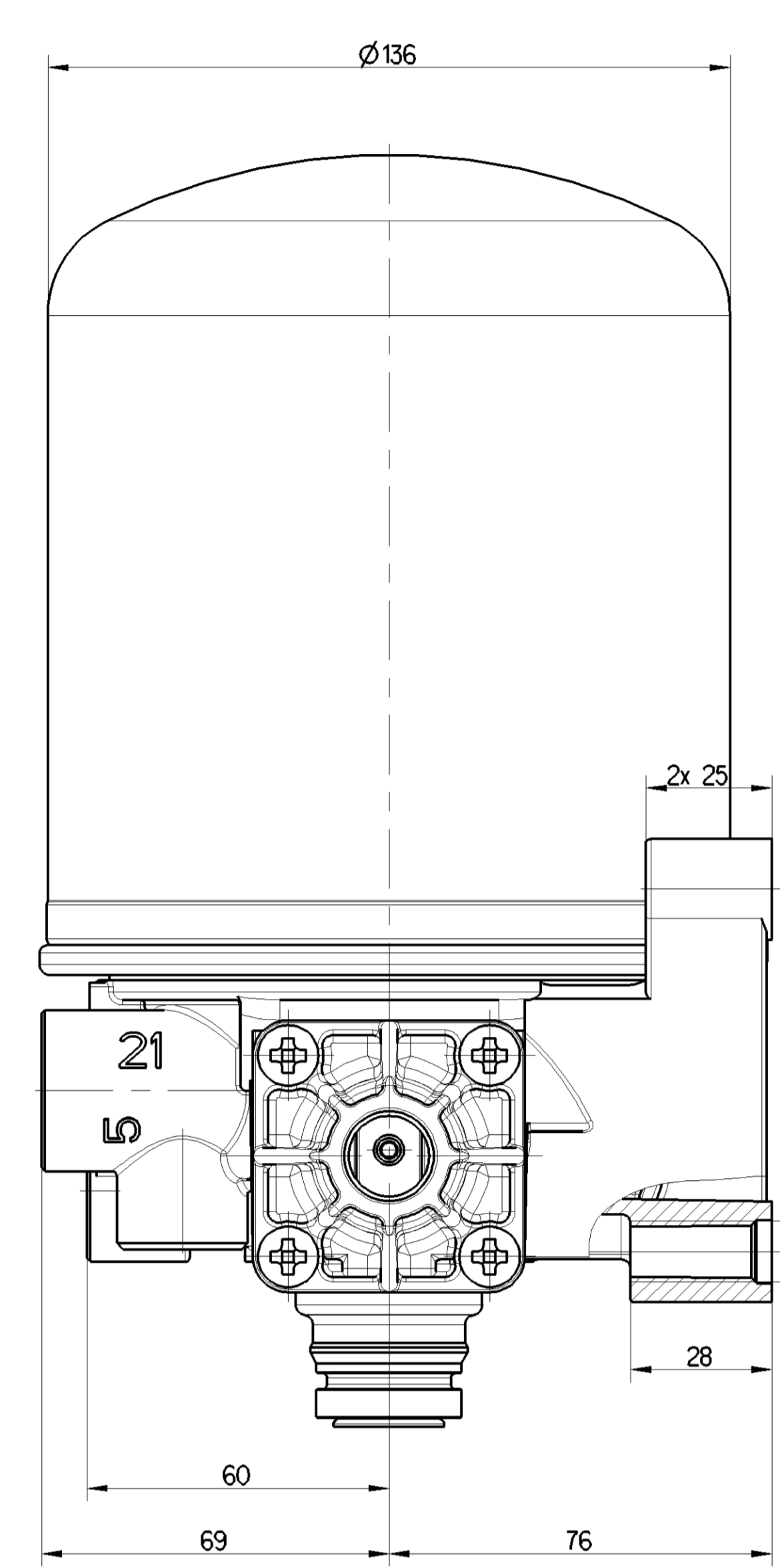
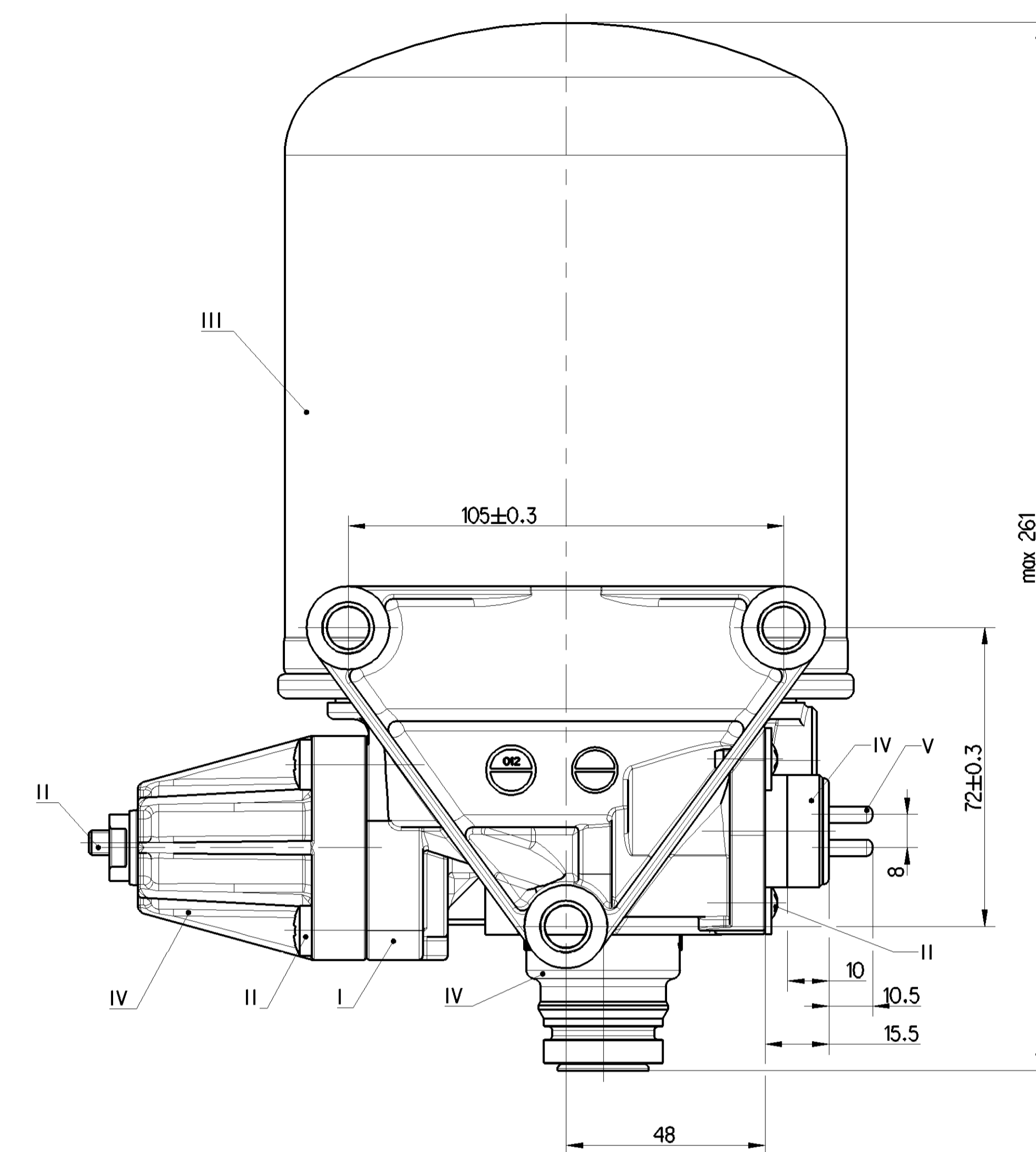
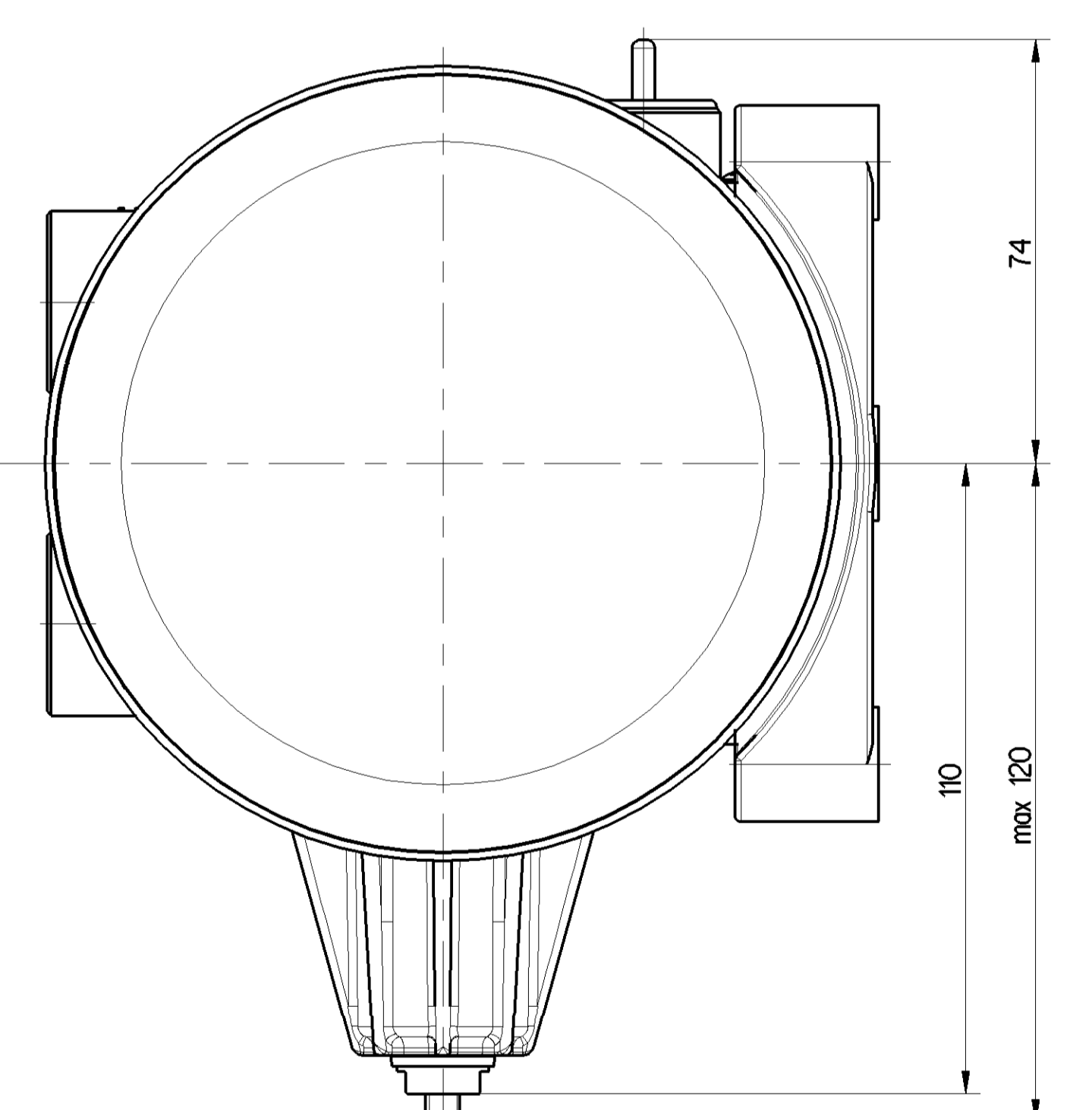
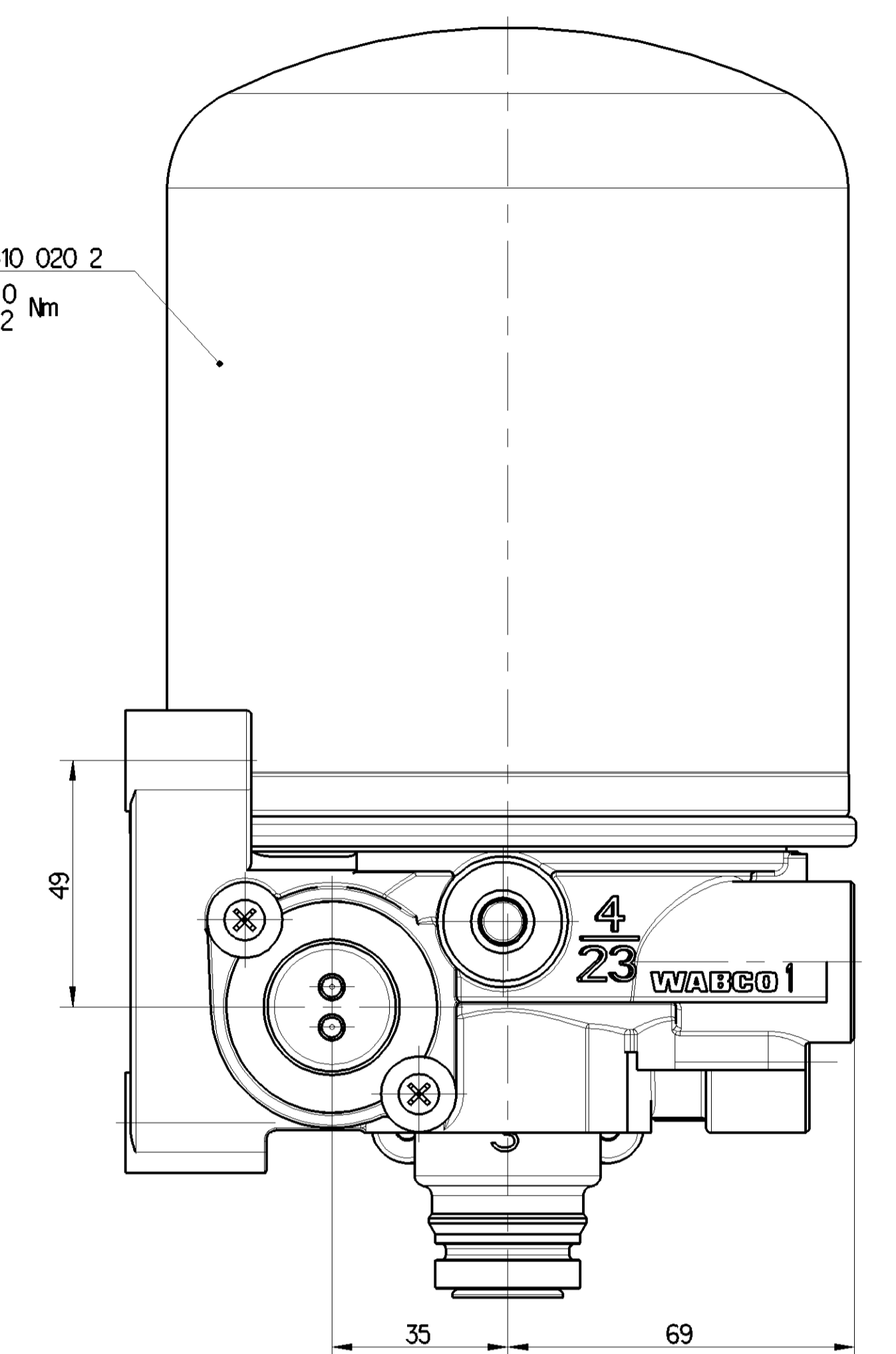


PART CODE	MATERIAL	SURFACE PROTECTION
I	ALUMINIUM ALLOY	CHROMATED
II	STEEL	PASSIVATED
III	STEEL	PAINTED
IV	PLASTIC	NO TREATMENT
V	BRASS	SILVER COATING



MOUNTING HEIGHT
MONTAGEHOEHE
HAUTEUR DE MONTAGE
POSIZIONE DI MONTAGGIO



TECHNICAL DATA, TECHNISCHE DATEN, CARACTERISTIQUES TECHNIQUES, CARATTERISTICHE TECNICHE

THERMAL RANGE OF CONTINUOUS APPLICATION:
THERMISCHER DAUERANWENDUNGSBEREICH:
PLAGE DE TEMPERATURE EN UTILISATION CONTINUE:
COMPO DI APPLICAZIONE CONTINUA: -40°C... +65°C

RESISTANCE TO HEAT:
WAERMEBESTAENDIGKEIT:
RESISTANCE A LA CHALEUR:
RESISTANZA AL CALORE: +80°C MAX.

MEDIUM:
MEDIUM:
FLUIDE:
FLUIDO: COMPRESSED AIR
DRUCKLUFT
AIR COMPRIME
ARIA COMPRESSA

WORKING PRESSURE:
BETRIEBSDRUCK:
PRESSION DE SERVICE:
PRESSIONE D' ESERCIZIO: Pe MAX.=13 bar

MAX. PERMISSIBLE FREQUENCY:
MAX. ZULAESSIGE FREQUENZ:
MAX. ADMISSIBLE FREQUENZE:
MAX. AMMISSIBILE FREQUENZA: 50 Hz

MAX. PERMISSIBLE ACCELERATION:
MAX. ZULAESSIGE BESCHLEUNIGUNG:
ACCELERATION MAX. ADMISSIBLE:
ACCELERAZIONE MAX. AMMESSA: ±10 xg

DYNAMIC PRESSURE OF SAFETY VALVE:
STAUDRUCK DES SICHERHEITSENTILES:
PRESSION DYNAMIQUE DU SOUPAPE DE SECURITE:
PRESSIONE DINAMICA DELLA VALVOLA DI SICUREZZA: 12^{±4}/₀ bar (BY V_{in}=100 dm³/min)

TORQUES FOR CONNECTIONS:
ANZUGSMOMENT FÜR EINSCHRAUBSTUTZEN:
COUPLE DE SERRAGE DES RACCORDS:
COPPIA DI SERRAGGIO DEI RACCORDI: M2x1.5: Mmax = 21 Nm
M2x1.5: Mmax = 53 Nm

PERMITTED SILENCER:
FREIGEBOHNER GERAEUSCHDAEMPFER:
SILENCIEUX PERMIS:
SILENZIATORE AMMESSO: 432 407 012 0

COMBINED UNLOADER
DRUCKREGLER
REGULATEUR DE PRESSION
GRUPPO DI REGOLAZIONE: 9.5±0.2 bar

OUT OUT PRESSURE:
ABSCHALTDRUCK:
PRESSION D'OUVERTURE:
PRESSIONE D'APERTURA: 0.7^{+0.5}/₀ bar

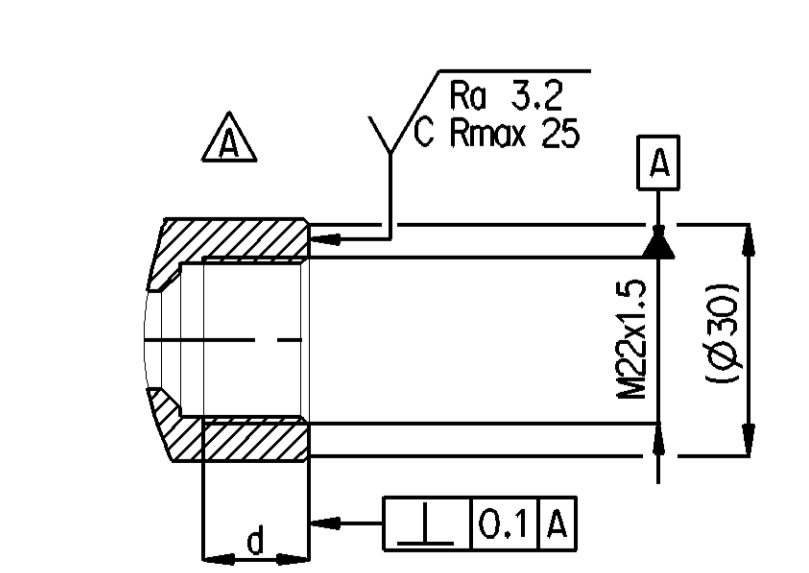
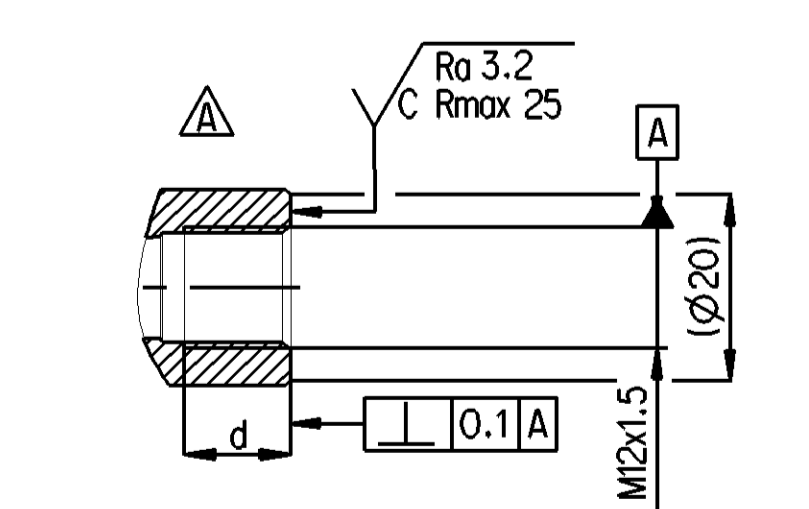
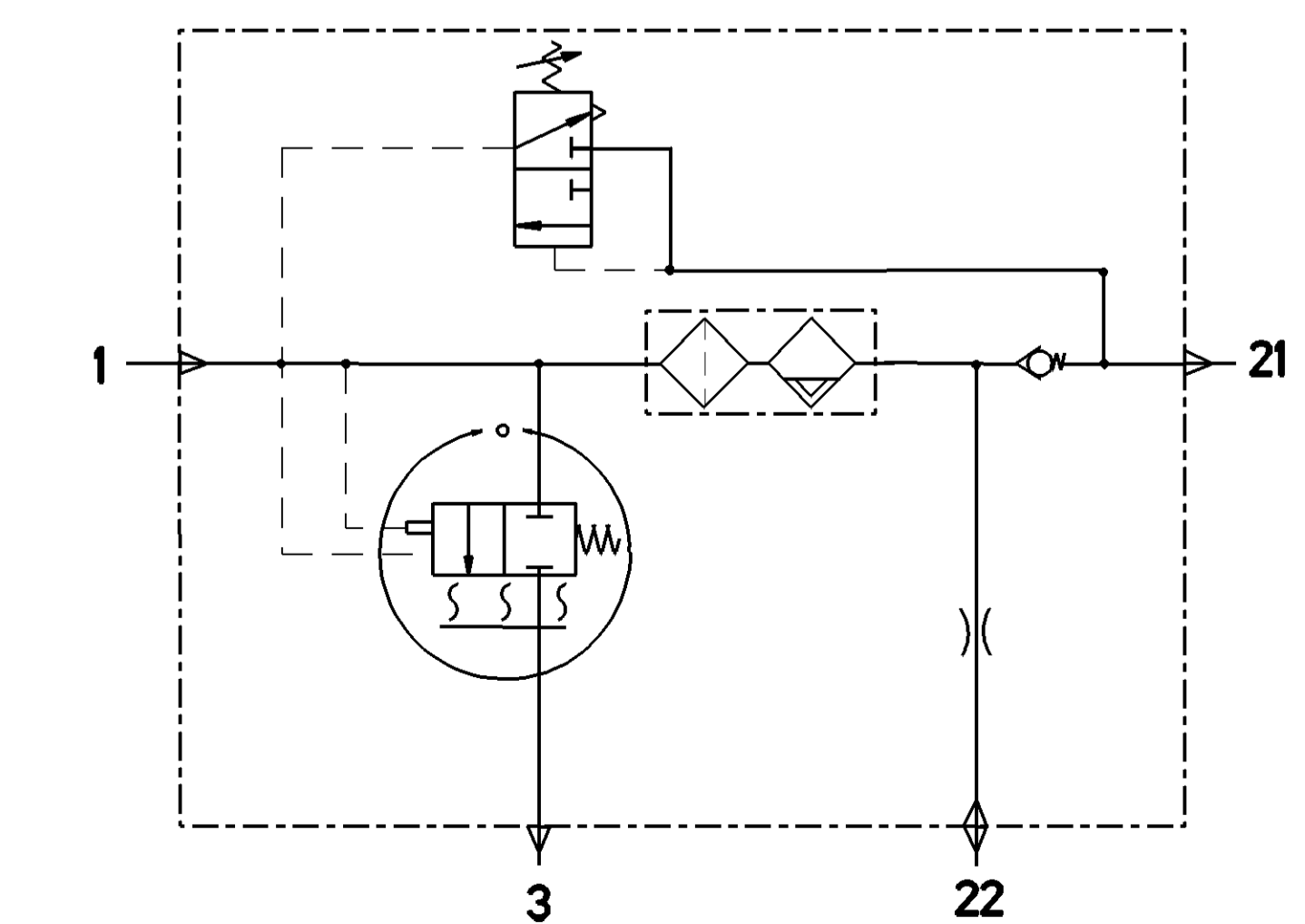
OPERATING RANGE:
SCHALTSPANNE:
PLAGE DE REGULATION:
GAMME DI REGOLAZIONE: 0.7^{+0.5}/₀ bar

HEATING:
HEIZUNG:
CHAUFFAGE:
RISCALDAMENTO: NOMINAL POWER:
NENNLEISTUNG:
PUISSANCE NOMINAL:
POTENZA NOMINALE: 100W

BATTERY VOLTAGE:
BATTERIESPANNUNG:
TENSION DE BATERIA:
TENSIONE DI BATERIA: 24.0 V DC

CUT IN TEMPERATURE:
EINSCHALT - TEMPERATUR:
TEMPERATURE DE FERMETURE:
TEMPERATURA DI CHIUSURA: 7 ±6 °C

CUT OUT TEMPERATURE:
AUSSCHALT-TEMPERATUR:
TEMPERATURE DE MISE:
TEMPERATURA DI APERTURA: 29.5 ±3.0 °C



PORT ANSCHLUSS ORIFIZIO	FUNCTION FUNCTION FONCTION FUNZIONE	THREAD GEWINDE FILETTAGE FILETTATURA
1	FROM THE COMPRESSOR VOM KOMPRESSOR PROVENANT DU COMPRESSEUR PROVENIENTE DEL COMPRESSORE	M22x1.5 d=15
21	TO THE RESERVOIRS ZU DEN LUFTRBEHALTERN AUX RESERVOIR AL SERBATOII PER	M22x1.5 d=16
22	TO RESERVOIR FOR REGENERATION AIR ZUM REGENERATIONS-LUFTRBEHALTER AU RESERVOIR D'AIR DE REGENERATION AL SERBATOII PER L'ARIA RIGENERATA	M12x1.5 d=12
3	EXHAUST FOR COMPRESSED AIR ENTLUFTUNG FUER DRUCKLUFT ECHAUFFEMENT POUR AIR COMPRIME SCARICO PER ARIA COMPRESSA	-
6	HEATING HEIZUNG CHAUFFAGE RISCALDAMENTO	M27x1

General Specification: ISO 8015, JED-534-1, Size ISO 14405 LP	Copyright: wabco®	WABCO								
Further Technical Data: Product Specification	Date: 2022-06-28	AIR DRYER								
Doc. Code: 026	Sheet: 1 To 7	LUFTTROCKNER								
General Tolerances: JED-201	2022-06-31	DESSICATEUR D' AIR								
Range of nominal dimensions in mm	100 x 100 x 100	ESSICCATORE D' ARIA								
Class	11 ± 50	120 ± 100	130 ± 150	140 ± 200	150 ± 250	160 ± 300	170 ± 350	180 ± 400	190 ± 450	200 ± 500
File	±0.05	±0.1	±0.15	±0.2	±0.3	±0.4	±0.5	±0.6	±0.8	±1.0
Medium	X	±0.1	±0.2	±0.3	±0.4	±0.5	±0.6	±0.8	±1.0	±1.5
Coarse	±0.2	±0.3	±0.4	±0.5	±0.6	±0.8	±1.0	±1.5	±2.0	±3.0
Tapped Holes acc. JED-752	±0.1	±0.15	±0.2	±0.25	±0.3	±0.4	±0.5	±0.6	±0.8	±1.0
Tolerances: Class: Special (Preservation)	±0.1	±0.15	±0.2	±0.25	±0.3	±0.4	±0.5	±0.6	±0.8	±1.0
Scale: A 0	PRO	432 410 020 0	005	ML	1/1					
Scale: 1:1	432 410 020 0	005	ML	1/1						
Scale: 4 x A	5050	4 x A	5050	RECHERCHER FROM 43240000						