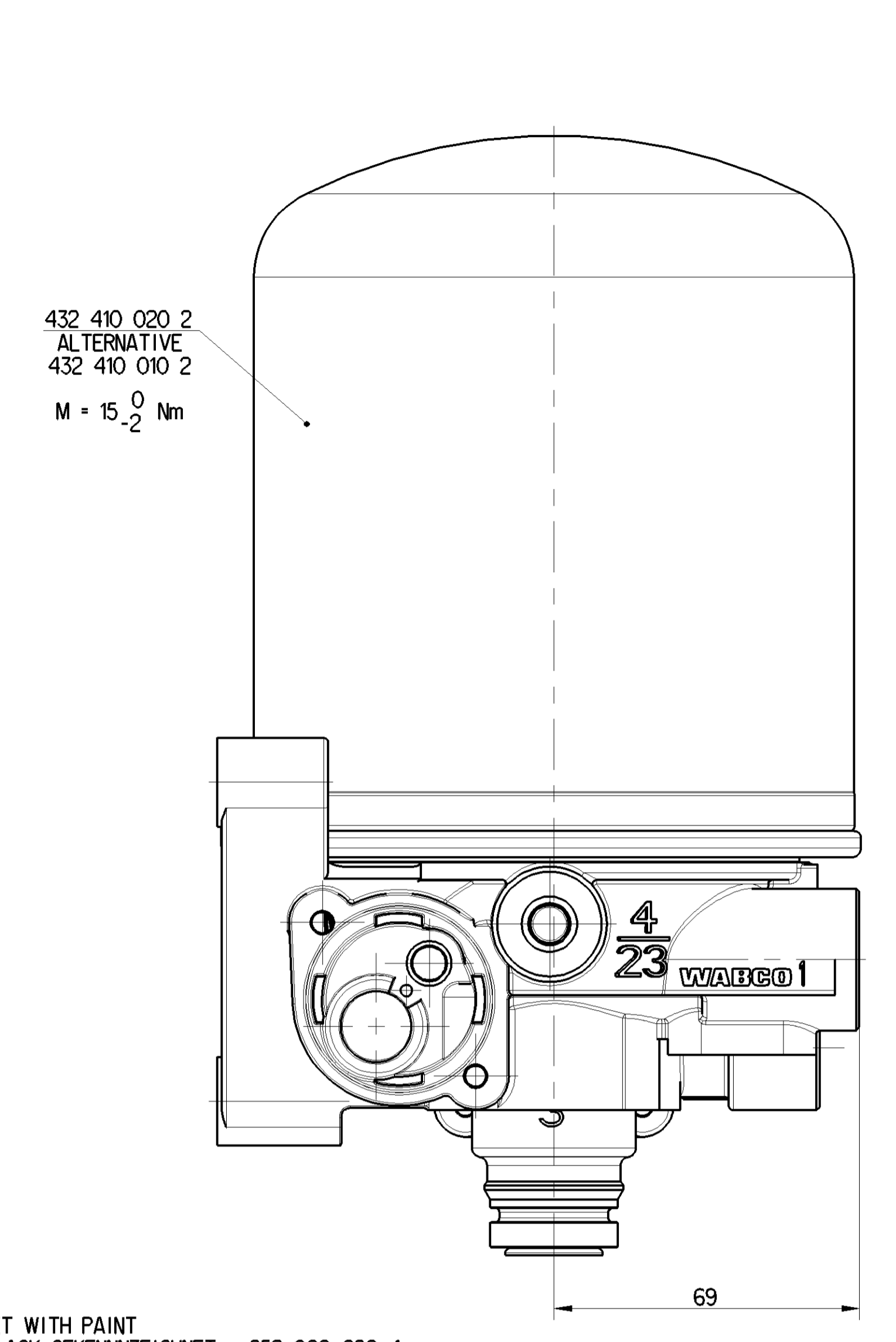
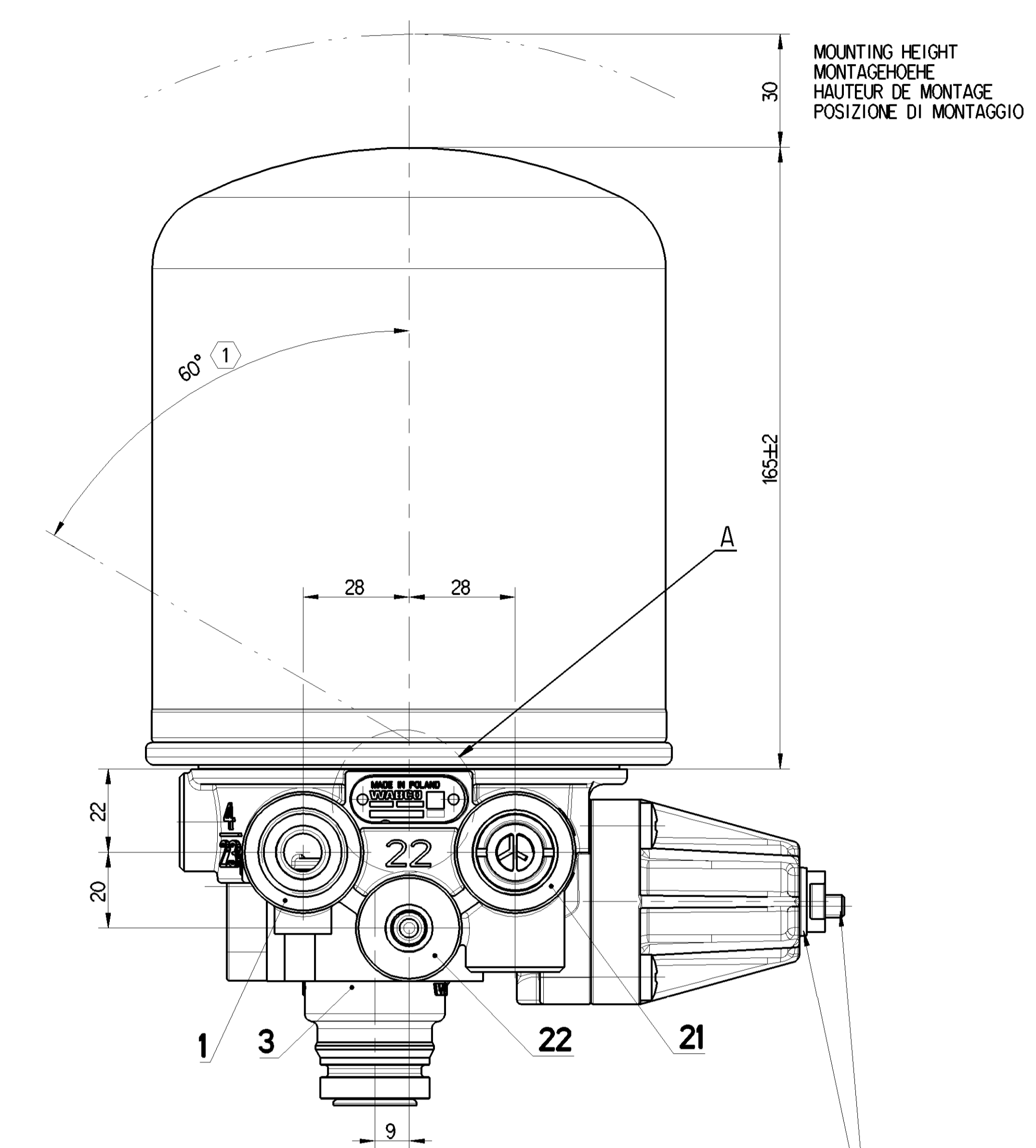
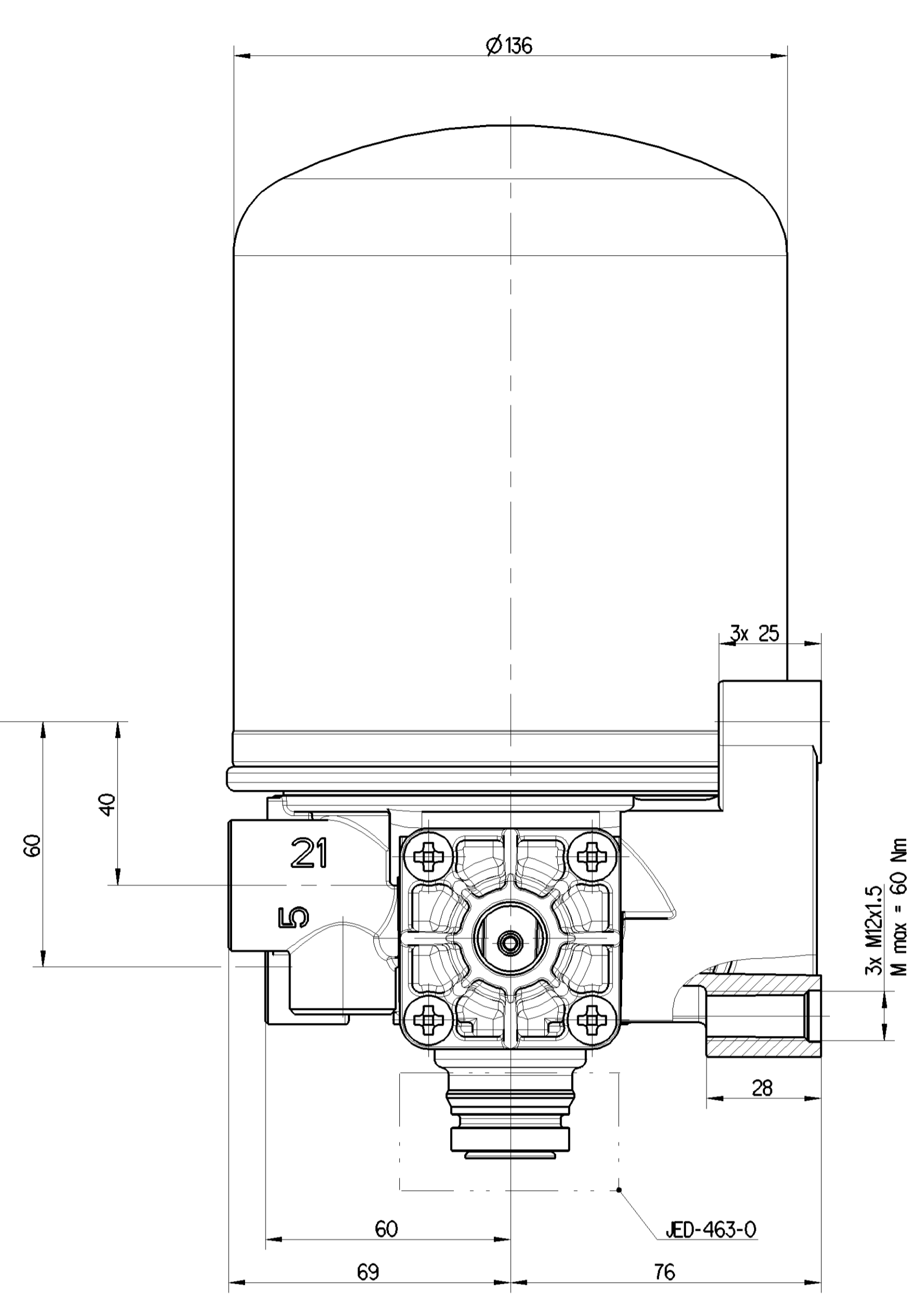
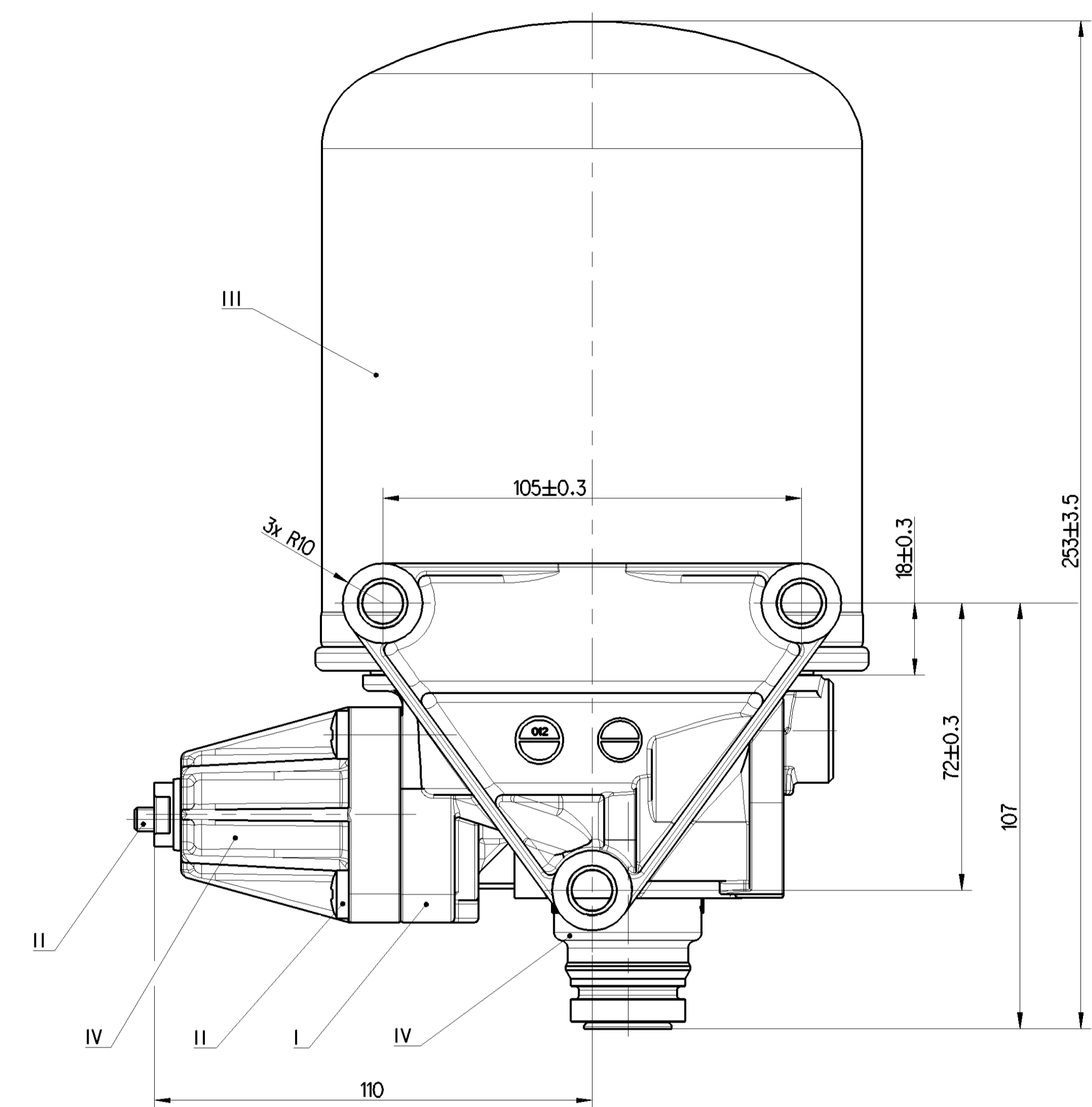


PART CODE	MATERIAL	SURFACE PROTECTION
I	ALUMINIUM ALLOY	CHROMATED
II	STEEL	PASSIVATED
III	STEEL	PAINTED
IV	PLASTIC	NO TREATMENT

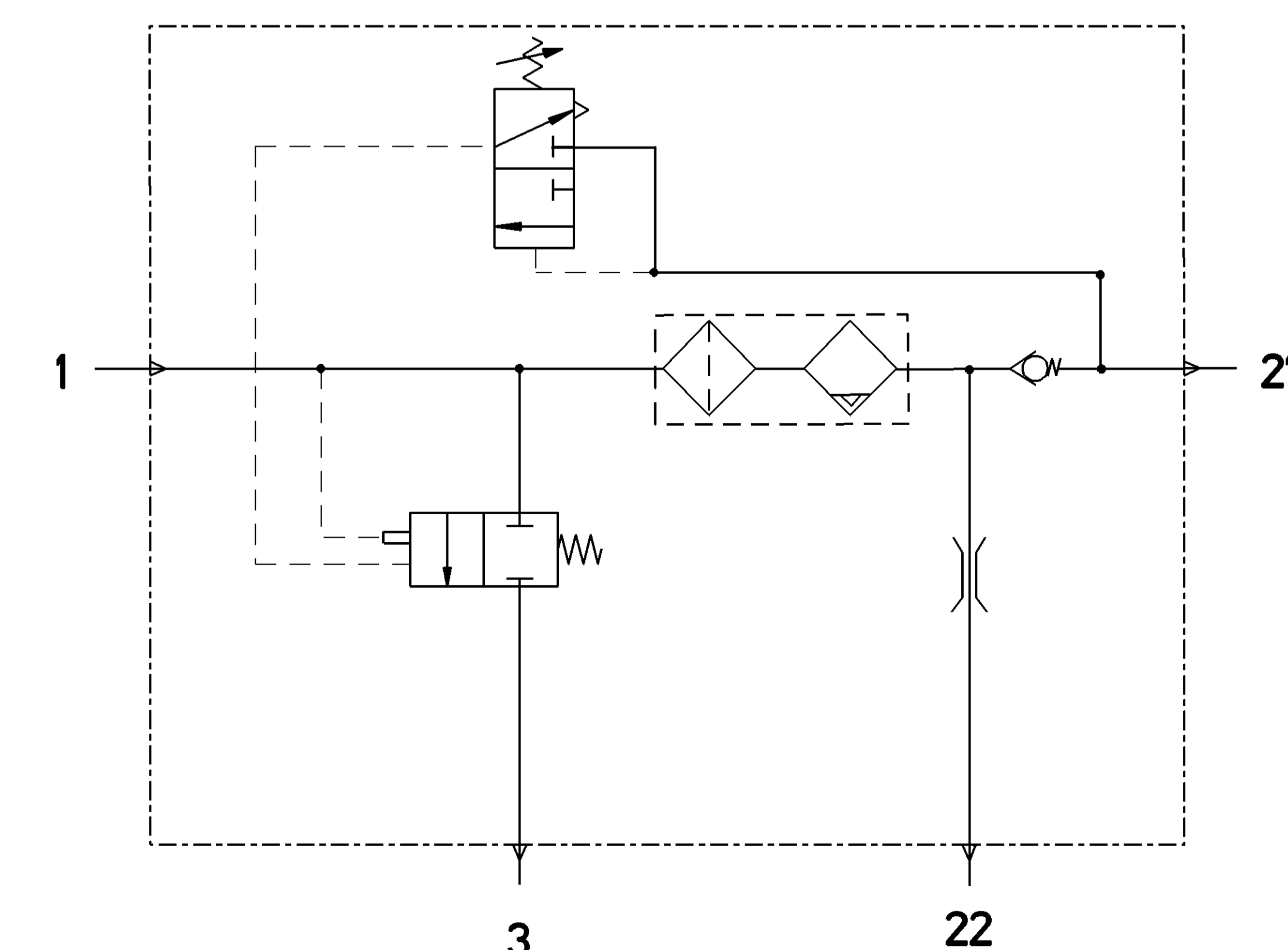
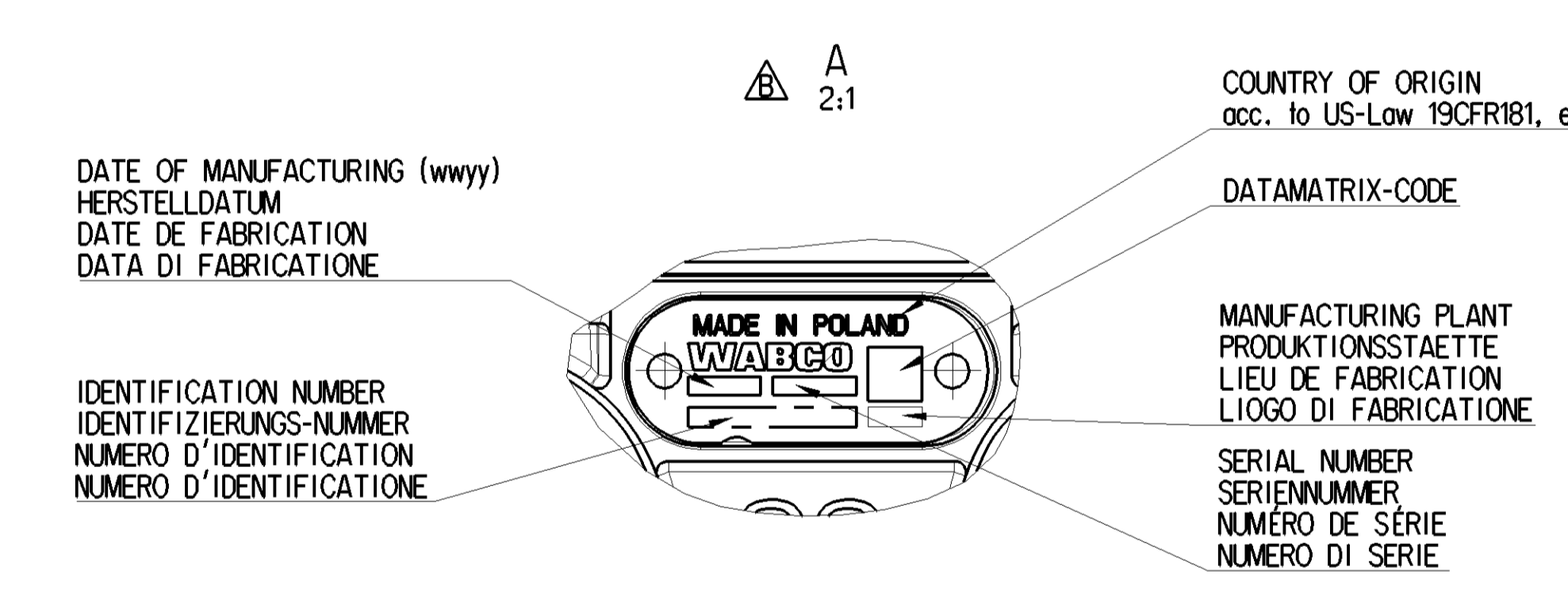
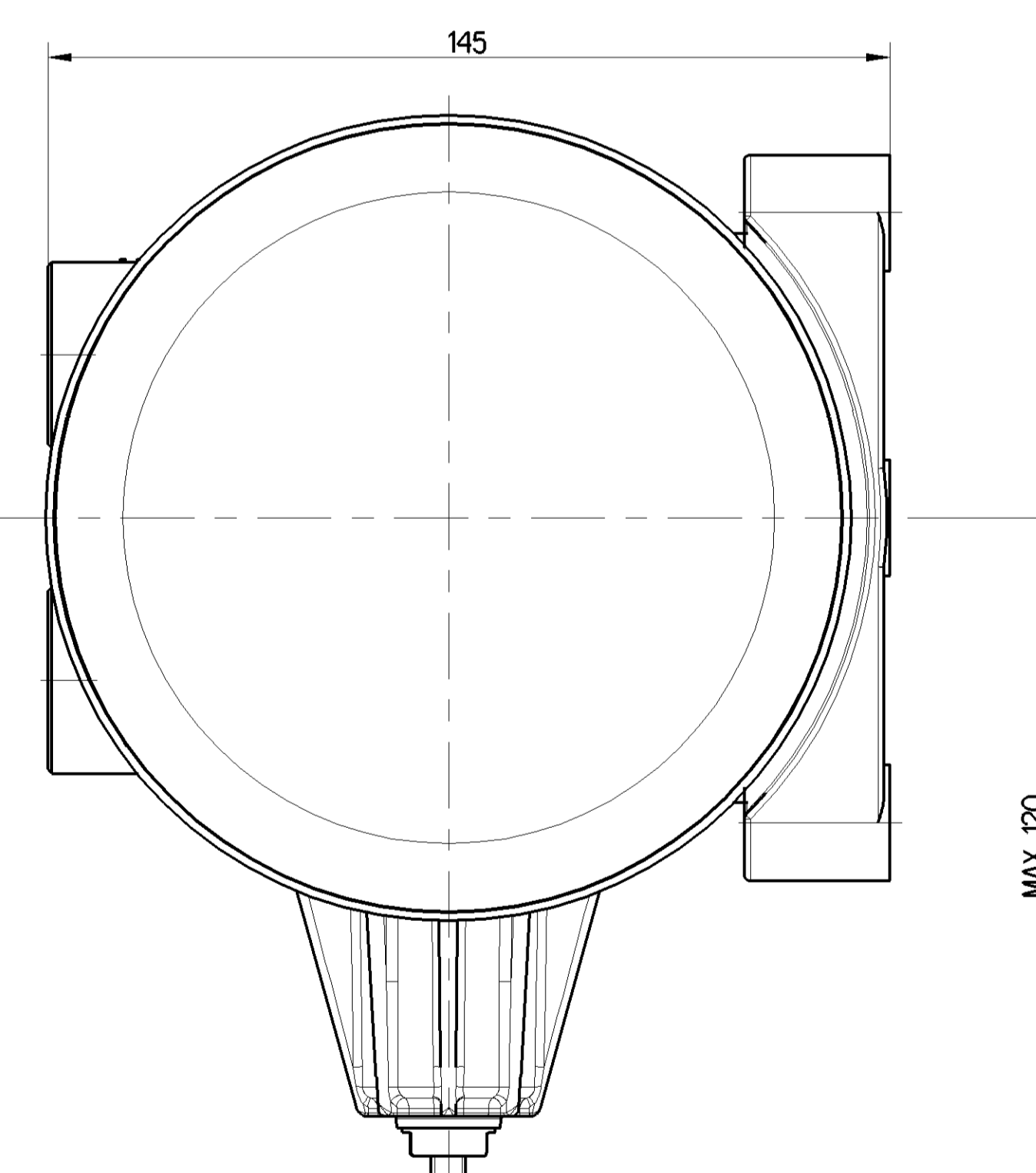


MOUNTING HEIGHT
MONTAGEHOEHE
HAUTEUR DE MONTAGE
POSIZIONE DI MONTAGGIO

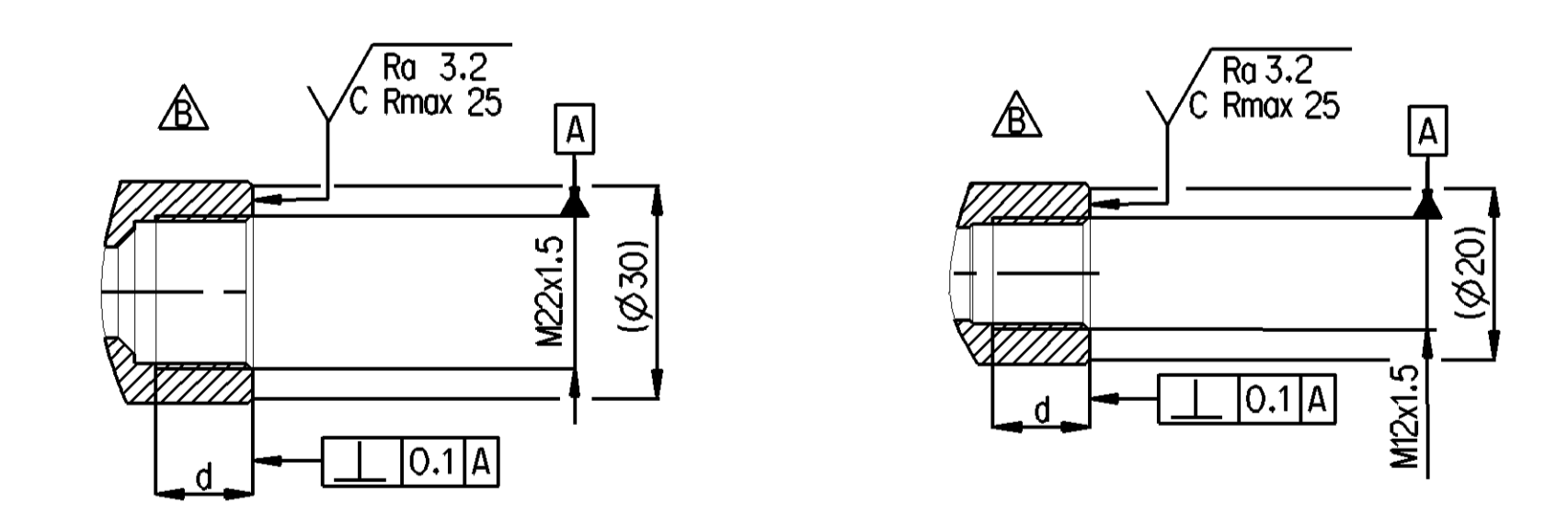
ADJUSTMENT MARKER WITH PAINT
EINSTELLUNG MIT LACK GEKENNZEICHNET
ADJUSTAGE MARQUE AVEC VERNIS
REGOLAZIONE MARCATO CON VERNICE

TECHNICAL DATA, TECHNISCHE DATEN, CARACTERISTIQUES TECHNIQUES, CARATTERISTICHE TECNICHE

THERMAL RANGE OF CONTINUOUS APPLICATION: THERMISCHER DAUERANWENDUNGSBEREICH: PLAGE DE TEMPERATURE EN UTILISATION CONTINUE: COMPO DI APPLICAZIONE CONTINUA:	-40°C... +65°C
RESISTANCE TO HEAT: WAERMEBESTAENDIGKEIT: RESISTANCE A LA CHALEUR: RESISTANZA AL CALORE:	+80°C MAX
MEDIUM: MEDIUM: FLUIDE: FLUIDO:	COMPRESSED AIR DRUCKLUFT AIR COMPRIE ARIA COMPRESSA
WORKING PRESSURE: BETRIEBSDRUCK: PRESSION DE SERVICE: PRESSIONE D' ESERCIZIO:	Pe MAX + 13 bar
MAX. PERMISSIBLE FREQUENCY: MAX. ZULAESSIGE FREQUENZ: MAX. AMMISSIBLE FREQUENZE: MAX. AMMISSIBLE FREQUENZA:	50 Hz
MAX. PERMISSIBLE ACCELERATION: MAX. ZULAESSIGE BESCHLEUNIGUNG: ACCELERATION MAX. AMMISSIBLE: ACCELERAZIONE MAX. AMMESSA:	10 xg
COMBINED UNLOADER DRUCKREGLER REGULATEUR DE PRESSION GRUPPO DI REGOLAZIONE	
CUT OUT PRESSURE: ABSCHALTDRUCK: PRESSION D'OUVERTURE: PRESSIONE D'APERATURA:	9.5±0.2 bar
OPERATING RANGE: SCHALTSPANNE:	0.7 ^{+0.5} ₀ bar
PLAGE DE REGULATION: GAMME DI REGULAZIONE:	
DYNAMIC PRESSURE OF SAFETY VALVE: STALDRUCK DES SICHERHEITSVENTILES: PRESSION DYNAMIQUE DU SOUPAPE DE SECURITE: PRESSIONE DINAMICA DELLA VALVOLA DI SICUREZZA:	12 ⁺⁴ ₀ bar (BY $\dot{V}_n = 100 \text{ dm}^3/\text{min}$)
TORQUES FOR CONNECTIONS: ANZUGSMOMENT FLER EINSCHRAUBSTUTZEN: COUPLE DE SERRAGE DES RACCORDS: COPIA DI SERRAGGIO DEI RACCORDI:	M2x1.5: Mmax = 21 Nm M22x1.5: Mmax = 53 Nm



PORT ANSCHLUSS ORIFICE ORIFIZIO	FUNCTION FUNKTION FONCTION FUNZIONE	THREAD GEWINDE FILETTAGE FILETTATURA
1	FROM THE COMPRESSOR VOM KOMPRESSOR PROVENANT DU COMPRESSEUR PROVENIENTE DEL COMPRESSORE	M22x1.5 d=15
21	TO THE RESERVOIRS ZU DEN LUFTBEHAELTERN AUX RESERVOIR AL SERBATOII PER	M22x1.5 d=24.5
22	TO RESERVOIR FOR REGENERATION AIR ZUM REGENERATIONS-LUFTBEHAELTER AU RESERVOIR D'AIR DE REGENERATION AL SERBATOII PER L'ARIA RIGENERATA	M12x1.5 d=12
3	EXHAUST FOR COMPRESSED AIR ENTLUFTUNG FLUER DRUCKLUFT ECHAPPEMENT POUR AIR COMPRIE SCARICO PER ARIA COMPRESSA	SILENCER



1 INSTALLATION POSITION AS DRAWN
EINBAUAGE, WIE GEZEICHNET
POSITION D'INSTALLATION SUIVANT DESSIN
POSIZIONE DI MONTAGGIO COME DISGNATO

PERMITTED SILENCER:
FREIGELEGEBENER GERAEUSCHDAEMPFER:
SILENCIEUX PERMIS:
SILENZIATORE AMMESSO:

432 407 010 0

General Specification: ISO 8015, ISO 1141, ISO 14405 LP	Copyright: WABCO	WABCO
Further Technical Data: Product Specification	Date: 2022-07-13	AIR DRYER
Doc. Code: 025	Sheet: 1 To 4	LUFTTROCKNER
General Tolerances: ISO 2011	Class: 1	DESSICATEUR D' AIR
Range of nominal dimensions in mm	2022-06-31	DESSICATORE D' ARIA
Class: 11 ± 50, 12 ± 50, 13 ± 50, 14 ± 50, 15 ± 50, 16 ± 50, 17 ± 50, 18 ± 50, 19 ± 50, 20 ± 50, 21 ± 50, 22 ± 50, 23 ± 50, 24 ± 50, 25 ± 50, 26 ± 50, 27 ± 50, 28 ± 50, 29 ± 50, 30 ± 50, 31 ± 50, 32 ± 50, 33 ± 50, 34 ± 50, 35 ± 50, 36 ± 50, 37 ± 50, 38 ± 50, 39 ± 50, 40 ± 50, 41 ± 50, 42 ± 50, 43 ± 50, 44 ± 50, 45 ± 50, 46 ± 50, 47 ± 50, 48 ± 50, 49 ± 50, 50 ± 50	Scale: 1:1 (2:1)	Doc. Code: 005 ML 1/1
Class: 11 ± 50, 12 ± 50, 13 ± 50, 14 ± 50, 15 ± 50, 16 ± 50, 17 ± 50, 18 ± 50, 19 ± 50, 20 ± 50, 21 ± 50, 22 ± 50, 23 ± 50, 24 ± 50, 25 ± 50, 26 ± 50, 27 ± 50, 28 ± 50, 29 ± 50, 30 ± 50, 31 ± 50, 32 ± 50, 33 ± 50, 34 ± 50, 35 ± 50, 36 ± 50, 37 ± 50, 38 ± 50, 39 ± 50, 40 ± 50, 41 ± 50, 42 ± 50, 43 ± 50, 44 ± 50, 45 ± 50, 46 ± 50, 47 ± 50, 48 ± 50, 49 ± 50, 50 ± 50	Scale: 1:1 (2:1)	Doc. Code: 005 ML 1/1
Class: 11 ± 50, 12 ± 50, 13 ± 50, 14 ± 50, 15 ± 50, 16 ± 50, 17 ± 50, 18 ± 50, 19 ± 50, 20 ± 50, 21 ± 50, 22 ± 50, 23 ± 50, 24 ± 50, 25 ± 50, 26 ± 50, 27 ± 50, 28 ± 50, 29 ± 50, 30 ± 50, 31 ± 50, 32 ± 50, 33 ± 50, 34 ± 50, 35 ± 50, 36 ± 50, 37 ± 50, 38 ± 50, 39 ± 50, 40 ± 50, 41 ± 50, 42 ± 50, 43 ± 50, 44 ± 50, 45 ± 50, 46 ± 50, 47 ± 50, 48 ± 50, 49 ± 50, 50 ± 50	Scale: 1:1 (2:1)	Doc. Code: 005 ML 1/1
Class: 11 ± 50, 12 ± 50, 13 ± 50, 14 ± 50, 15 ± 50, 16 ± 50, 17 ± 50, 18 ± 50, 19 ± 50, 20 ± 50, 21 ± 50, 22 ± 50, 23 ± 50, 24 ± 50, 25 ± 50, 26 ± 50, 27 ± 50, 28 ± 50, 29 ± 50, 30 ± 50, 31 ± 50, 32 ± 50, 33 ± 50, 34 ± 50, 35 ± 50, 36 ± 50, 37 ± 50, 38 ± 50, 39 ± 50, 40 ± 50, 41 ± 50, 42 ± 50, 43 ± 50, 44 ± 50, 45 ± 50, 46 ± 50, 47 ± 50, 48 ± 50, 49 ± 50, 50 ± 50	Scale: 1:1 (2:1)	Doc. Code: 005 ML 1/1
Class: 11 ± 50, 12 ± 50, 13 ± 50, 14 ± 50, 15 ± 50, 16 ± 50, 17 ± 50, 18 ± 50, 19 ± 50, 20 ± 50, 21 ± 50, 22 ± 50, 23 ± 50, 24 ± 50, 25 ± 50, 26 ± 50, 27 ± 50, 28 ± 50, 29 ± 50, 30 ± 50, 31 ± 50, 32 ± 50, 33 ± 50, 34 ± 50, 35 ± 50, 36 ± 50, 37 ± 50, 38 ± 50, 39 ± 50, 40 ± 50, 41 ± 50, 42 ± 50, 43 ± 50, 44 ± 50, 45 ± 50, 46 ± 50, 47 ± 50, 48 ± 50, 49 ± 50, 50 ± 50	Scale: 1:1 (2:1)	Doc. Code: 005 ML 1/1
Class: 11 ± 50, 12 ± 50, 13 ± 50, 14 ± 50, 15 ± 50, 16 ± 50, 17 ± 50, 18 ± 50, 19 ± 50, 20 ± 50, 21 ± 50, 22 ± 50, 23 ± 50, 24 ± 50, 25 ± 50, 26 ± 50, 27 ± 50, 28 ± 50, 29 ± 50, 30 ± 50, 31 ± 50, 32 ± 50, 33 ± 50, 34 ± 50, 35 ± 50, 36 ± 50, 37 ± 50, 38 ± 50, 39 ± 50, 40 ± 50, 41 ± 50, 42 ± 50, 43 ± 50, 44 ± 50, 45 ± 50, 46 ± 50, 47 ± 50, 48 ± 50, 49 ± 50, 50 ± 50	Scale: 1:1 (2:1)	Doc. Code: 005 ML 1/1
Class: 11 ± 50, 12 ± 50, 13 ± 50, 14 ± 50, 15 ± 50, 16 ± 50, 17 ± 50, 18 ± 50, 19 ± 50, 20 ± 50, 21 ± 50, 22 ± 50, 23 ± 50, 24 ± 50, 25 ± 50, 26 ± 50, 27 ± 50, 28 ± 50, 29 ± 50, 30 ± 50, 31 ± 50, 32 ± 50, 33 ± 50, 34 ± 50, 35 ± 50, 36 ± 50, 37 ± 50, 38 ± 50, 39 ± 50, 40 ± 50, 41 ± 50, 42 ± 50, 43 ± 50, 44 ± 50, 45 ± 50, 46 ± 50, 47 ± 50, 48 ± 50, 49 ± 50, 50 ± 50	Scale: 1:1 (2:1)	Doc. Code: 005 ML 1/1
Class: 11 ± 50, 12 ± 50, 13 ± 50, 14 ± 50, 15 ± 50, 16 ± 50, 17 ± 50, 18 ± 50, 19 ± 50, 20 ± 50, 21 ± 50, 22 ± 50, 23 ± 50, 24 ± 50, 25 ± 50, 26 ± 50, 27 ± 50, 28 ± 50, 29 ± 50, 30 ± 50, 31 ± 50, 32 ± 50, 33 ± 50, 34 ± 50, 35 ± 50, 36 ± 50, 37 ± 50, 38 ± 50, 39 ± 50, 40 ± 50, 41 ± 50, 42 ± 50, 43 ± 50, 44 ± 50, 45 ± 50, 46 ± 50, 47 ± 50, 48 ± 50, 49 ± 50, 50 ± 50	Scale: 1:1 (2:1)	Doc. Code: 005 ML 1/1
Class: 11 ± 50, 12 ± 50, 13 ± 50, 14 ± 50, 15 ± 50, 16 ± 50, 17 ± 50, 18 ± 50, 19 ± 50, 20 ± 50, 21 ± 50, 22 ± 50, 23 ± 50, 24 ± 50, 25 ± 50, 26 ± 50, 27 ± 50, 28 ± 50, 29 ± 50, 30 ± 50, 31 ± 50, 32 ± 50, 33 ± 50, 34 ± 50, 35 ± 50, 36 ± 50, 37 ± 50, 38 ± 50, 39 ± 50, 40 ± 50, 41 ± 50, 42 ± 50, 43 ± 50, 44 ± 50, 45 ± 50, 46 ± 50, 47 ± 50, 48 ± 50, 49 ± 50, 50 ± 50	Scale: 1:1 (2:1)	Doc. Code: 005 ML 1/1
Class: 11 ± 50, 12 ± 50, 13 ± 50, 14 ± 50, 15 ± 50, 16 ± 50, 17 ± 50, 18 ± 50, 19 ± 50, 20 ± 50, 21 ± 50, 22 ± 50, 23 ± 50, 24 ± 50, 25 ± 50, 26 ± 50, 27 ± 50, 28 ± 50, 29 ± 50, 30 ± 50, 31 ± 50, 32 ± 50, 33 ± 50, 34 ± 50, 35 ± 50, 36 ± 50, 37 ± 50, 38 ± 50, 39 ± 50, 40 ± 50, 41 ± 50, 42 ± 50, 43 ± 50, 44 ± 50, 45 ± 50, 46 ± 50, 47 ± 50, 48 ± 50, 49 ± 50, 50 ± 50	Scale: 1:1 (2:1)	Doc. Code: 005 ML 1/1
Class: 11 ± 50, 12 ± 50, 13 ± 50, 14 ± 50, 15 ± 50, 16 ± 50, 17 ± 50, 18 ± 50, 19 ± 50, 20 ± 50, 21 ± 50, 22 ± 50, 23 ± 50, 24 ± 50, 25 ± 50, 26 ± 50, 27 ± 50, 28 ± 50, 29 ± 50, 30 ± 50, 31 ± 50, 32 ± 50, 33 ± 50, 34 ± 50, 35 ± 50, 36 ± 50, 37 ± 50, 38 ± 50, 39 ± 50, 40 ± 50, 41 ± 50, 42 ± 50, 43 ± 50, 44 ± 50, 45 ± 50, 46 ± 50, 47 ± 50, 48 ± 50, 49 ± 50, 50 ± 50	Scale: 1:1 (2:1)	Doc. Code: 005 ML 1/1
Class: 11 ± 50, 12 ± 50, 13 ± 50, 14 ± 50, 15 ± 50, 16 ± 50, 17 ± 50, 18 ± 50, 19 ± 50, 20 ± 50, 21 ± 50, 22 ± 50, 23 ± 50, 24 ± 50, 25 ± 50, 26 ± 50, 27 ± 50, 28 ± 50, 29 ± 50, 30 ± 50, 31 ± 50, 32 ± 50, 33 ± 50, 34 ± 50, 35 ± 50, 36 ± 50, 37 ± 50, 38 ± 50, 39 ± 50, 40 ± 50, 41 ± 50, 42 ± 50, 43 ± 50, 44 ± 50, 45 ± 50, 46 ± 50, 47 ± 50, 48 ± 50, 49 ± 50, 50 ± 50	Scale: 1:1 (2:1)	Doc. Code: 005 ML 1/1
Class: 11 ± 50, 12 ± 50, 13 ± 50, 14 ± 50, 15 ± 50, 16 ± 50, 17 ± 50, 18 ± 50, 19 ± 50, 20 ± 50, 21 ± 50, 22 ± 50, 23 ± 50, 24 ± 50, 25 ± 50, 26 ± 50, 27 ± 50, 28 ± 50, 29 ± 50, 30 ± 50, 31 ± 50, 32 ± 50, 33 ± 50, 34 ± 50, 35 ± 50, 36 ± 50, 37 ± 50, 38 ± 50, 39 ± 50, 40 ± 50, 41 ± 50, 42 ± 50, 43 ± 50, 44 ± 50, 45 ± 50, 46 ± 50, 47 ± 50, 48 ± 50, 49 ± 50, 50 ± 50	Scale: 1:1 (2:1)	Doc. Code: 005 ML 1/1
Class: 11 ± 50, 12 ± 50, 13 ± 50, 14 ± 50, 15 ± 50, 16 ± 50, 17 ± 50, 18 ± 50, 19 ± 50, 20 ± 50, 21 ± 50, 22 ± 50, 23 ± 50, 24 ± 50, 25 ± 50, 26 ± 50, 27 ± 50, 28 ± 50, 29 ± 50, 30 ± 50, 31 ± 50, 32 ± 50, 33 ± 50, 34 ± 50, 35 ± 50, 36 ± 50, 37 ± 50, 38 ± 50, 39 ± 50, 40 ± 50, 41 ± 50, 42 ± 50, 43 ± 50, 44 ± 50, 45 ± 50, 46 ± 50, 47 ± 50, 48 ± 50, 49 ± 50, 50 ± 50	Scale: 1:1 (2:1)	Doc. Code: 005 ML 1/1
Class: 11 ± 50, 12 ± 50, 13 ± 50, 14 ± 50, 15 ± 50, 16 ± 50, 17 ± 50, 18 ± 50, 19 ± 50, 20 ± 50, 21 ± 50, 22 ± 50, 23 ± 50, 24 ± 50, 25 ± 50, 26 ± 50, 27 ± 50, 28 ± 50, 29 ± 50, 30 ± 50, 31 ± 50, 32 ± 50, 33 ± 50, 34 ± 50, 35 ± 50, 36 ± 50, 37 ± 50, 38 ± 50, 39 ± 50, 40 ± 50, 41 ± 50, 42 ± 50, 43 ± 50, 44 ± 50, 45 ± 50, 46 ± 50, 47 ± 50, 48 ± 50, 49 ± 50, 50 ± 50	Scale: 1:1 (2:1)	Doc. Code: 005 ML 1/1
Class: 11 ± 50, 12 ± 50, 13 ± 50, 14 ± 50, 15 ± 50, 16 ± 50, 17 ± 50, 18 ± 50, 19 ± 50, 20 ± 50, 21 ± 50, 22 ± 50, 23 ± 50, 24 ± 50, 25 ± 50, 26 ± 50, 27 ± 50, 28 ± 50, 29 ± 50, 30 ± 50, 31 ± 50, 32 ± 50, 33 ± 50, 34 ± 50, 35 ± 50, 36 ± 50, 37 ± 50, 38 ± 50, 39 ± 50, 40 ± 50, 41 ± 50, 42 ± 50, 43 ± 50, 44 ± 50, 45 ± 50, 46 ± 50, 47 ± 50, 48 ± 50, 49 ± 50, 50 ± 50	Scale: 1:1 (2:1)	Doc. Code: 005 ML 1/1
Class: 11 ± 50, 12 ± 50, 13 ± 50, 14 ± 50, 15 ± 50, 16 ± 50, 17 ± 50, 18 ± 50, 19 ± 50, 20 ± 50, 21 ± 50, 22 ± 50, 23 ± 50, 24 ± 50, 25 ± 50, 26 ± 50, 27 ± 50, 28 ± 50, 29 ± 50, 30 ± 50, 31 ± 50, 32 ± 50, 33 ± 50, 34 ± 50, 35 ± 50, 36 ± 50, 37 ± 50, 38 ± 50, 39 ± 50, 40 ± 50, 41 ± 50, 42 ± 50, 43 ± 50, 44 ± 50, 45 ± 50, 46 ± 50, 47 ± 50, 48 ± 50, 49 ± 50, 50 ± 50	Scale: 1:1 (2:1)	Doc. Code: 005 ML 1/1
Class: 11 ± 50, 12 ± 50, 13 ± 50, 14 ± 50, 15 ± 50, 16 ± 50, 17 ± 50, 18 ± 50, 19 ± 50, 20 ± 50, 21 ± 50, 22 ± 50, 23 ± 50, 24 ± 50, 25 ± 50, 26 ± 50, 27 ± 50, 28 ± 50, 29 ± 50, 30 ± 50, 31 ± 50, 32 ± 50, 33 ± 50, 34 ± 50, 35 ± 50, 36 ± 50, 37 ± 50, 38 ± 50, 39 ± 50, 40 ± 50, 41 ± 50, 42 ± 50, 43 ± 50, 44 ± 50, 45 ± 50, 46 ± 50, 47 ± 50, 48 ± 50, 49 ± 50, 50 ± 50	Scale: 1:1 (2:1)	Doc. Code: 005 ML 1/1
Class: 11 ± 50, 12 ± 50, 13 ± 50, 14 ± 50, 15 ± 50, 16 ± 50, 17 ± 50, 18 ± 50, 19 ± 50, 20 ± 50, 21 ± 50, 22 ± 50, 23 ± 50, 24 ± 50, 25 ± 50, 26 ± 50, 27 ± 50, 28 ± 50, 29 ± 50, 30 ± 50, 31 ± 50, 32 ± 50, 33 ± 50, 34 ± 50, 35 ± 50, 36 ± 50, 37 ± 50, 38 ± 50, 39 ± 50, 40 ± 50, 41 ± 50, 42 ± 50, 43 ± 50, 44 ± 50, 45 ± 50, 46 ± 50, 47 ± 50, 48 ± 50, 49 ± 50, 50 ± 50	Scale: 1:1 (2:1)	Doc. Code: 005 ML 1/1
Class: 11 ± 50, 12 ± 50, 13 ± 50, 14 ± 50, 15 ± 50, 16 ± 50, 17 ± 50, 18 ± 50, 19 ± 50, 20 ± 50, 21 ± 50, 22 ± 50, 23 ± 50, 24 ± 50, 25 ± 50, 26 ± 50, 27 ± 50, 28 ± 50, 29 ± 50, 30 ± 50, 31 ± 50, 32 ± 50, 33 ± 50, 34 ± 50, 35 ± 50, 36 ± 50, 37 ± 50, 38 ± 50, 39 ± 50, 40 ± 50, 41 ± 50, 42 ± 50, 43 ± 50, 44 ± 50, 45 ± 50, 46 ± 50, 47 ± 50, 48 ± 50, 49 ± 50, 50 ± 50	Scale: 1:1 (2:1)	Doc. Code: 005 ML 1/1
Class: 11 ± 50, 12 ± 50, 13 ± 50, 14 ± 50, 15 ± 50, 16 ± 50, 17 ± 50, 18 ± 50, 19 ± 50, 20 ± 50, 21 ± 50, 22 ± 50, 23 ± 50, 24 ± 50, 25 ± 50, 26 ± 50, 27 ± 50, 28 ± 50, 29 ± 50, 30 ± 50, 31 ± 50, 32 ± 50, 33 ± 50, 34 ± 50, 35 ± 50, 36 ± 50, 37 ± 50, 38 ± 50, 39 ± 50, 40 ± 50, 41 ± 50, 42 ± 50, 43 ± 50, 44 ± 50, 45 ± 50, 46 ± 50, 47 ± 50, 48 ± 50, 49 ± 50, 50 ± 50	Scale: 1:1 (2:1)	Doc. Code: 005 ML 1/1
Class: 11 ± 50, 12 ± 50, 13 ± 50, 14 ± 50, 15 ± 50, 16 ± 50, 17 ± 50, 18 ± 50, 19 ± 50, 20 ± 50, 21 ± 50, 22 ± 50, 23 ± 50, 24 ± 50, 25 ± 50, 26 ± 50, 27 ± 50, 28 ± 50, 29 ± 50, 30 ± 50, 31 ± 50, 32 ± 50, 33 ± 50, 34 ± 50, 35 ± 50, 36 ± 50, 37 ± 50, 38 ± 50, 39 ± 50, 40 ± 50, 41 ± 50, 42 ± 50, 43 ± 50, 44 ± 50, 45 ± 50, 46 ± 50, 47 ± 50, 48 ± 50, 49 ± 50, 50 ± 50	Scale: 1:1 (2:1)	Doc. Code: 005 ML 1/1
Class: 11 ± 50, 12 ± 50, 13 ± 50, 14 ± 50, 15 ± 50, 16 ± 50, 17 ± 50, 18 ± 50, 19 ± 50, 20 ± 50, 21 ± 50, 22 ± 50, 23 ± 50, 24 ± 50, 25 ± 50, 26 ± 50, 27 ± 50, 28 ± 50, 29 ± 50, 30 ± 50, 31 ± 50, 32 ± 50, 33 ± 50, 34 ± 50, 35 ± 50, 36 ± 50, 37 ± 50, 38 ± 50, 39 ± 50, 40 ± 50, 41 ± 50, 42 ± 50, 43 ± 50, 44 ± 50, 45 ± 50, 46 ± 50, 47 ± 50, 48 ± 50, 49 ± 50, 50 ± 50	Scale: 1:1 (2:1)	Doc. Code: 005 ML 1/1
Class: 11 ± 50, 12 ± 50, 13 ± 50, 14 ± 50, 15 ± 50, 16 ± 50, 17 ± 50, 18 ± 50, 19 ± 50, 20 ± 50, 21 ± 50, 22 ± 50, 23 ± 50, 24 ± 50, 25 ± 50, 26 ± 50, 27 ± 50, 28 ± 50, 29 ± 50, 30 ± 50, 31 ± 50, 32 ± 50, 33 ± 50, 34 ± 50, 35 ± 50, 36 ± 50, 37 ± 50, 38 ± 50, 39 ± 50, 40 ± 50, 41 ± 50, 42 ± 50, 43 ± 50, 44 ± 50, 45 ± 50, 46 ± 50, 47 ± 50, 48 ± 50, 49 ± 50, 50 ± 50	Scale: 1:1 (2:1)	Doc. Code: 005 ML 1/1
Class: 11 ± 50, 12 ± 50, 13 ± 50, 14 ± 50, 15 ± 50, 16 ± 50, 17 ± 50, 18 ± 50, 19 ± 50, 20 ± 50, 21 ± 50, 22 ± 50, 23 ± 50, 24 ± 50, 25 ± 50, 26 ± 50, 27 ± 50, 28 ± 50, 29 ± 50, 30 ± 50, 31 ± 50, 32 ± 50, 33 ± 50, 34 ± 50, 35 ± 50, 36 ± 50, 37 ± 50, 38 ± 50, 39 ± 50, 40 ± 50, 41 ± 50, 42 ± 50, 43 ± 50, 44 ± 50, 45 ± 50, 46 ± 50, 47 ± 50, 48 ± 50, 49 ± 50, 50 ± 50	Scale: 1:1 (2:1)	Doc. Code: 005 ML 1/1
Class: 11 ± 50, 12 ± 50, 13 ± 50, 14 ± 50, 15 ± 50, 16 ± 50, 17 ± 50, 18 ± 50, 19 ± 50, 20 ± 50, 21 ± 50, 22 ± 50, 23 ± 50, 24 ± 50, 25 ± 50, 26 ± 50, 27 ± 50, 28 ± 50, 29 ± 50, 30 ± 50, 31 ± 50, 32 ±		