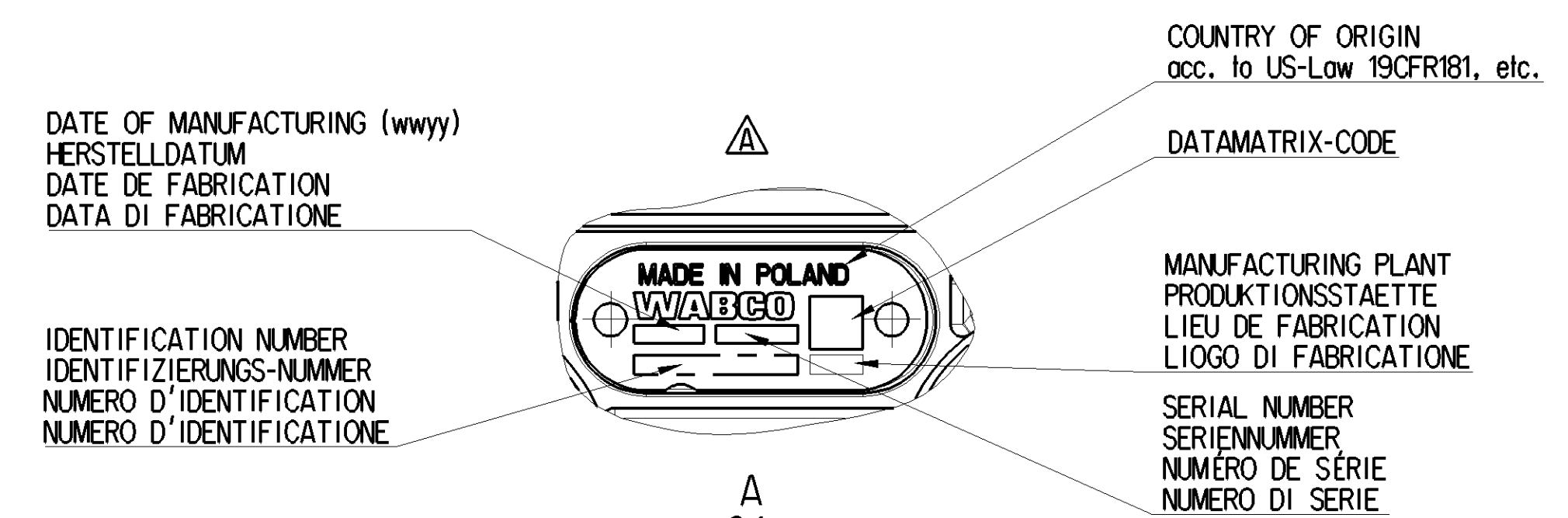
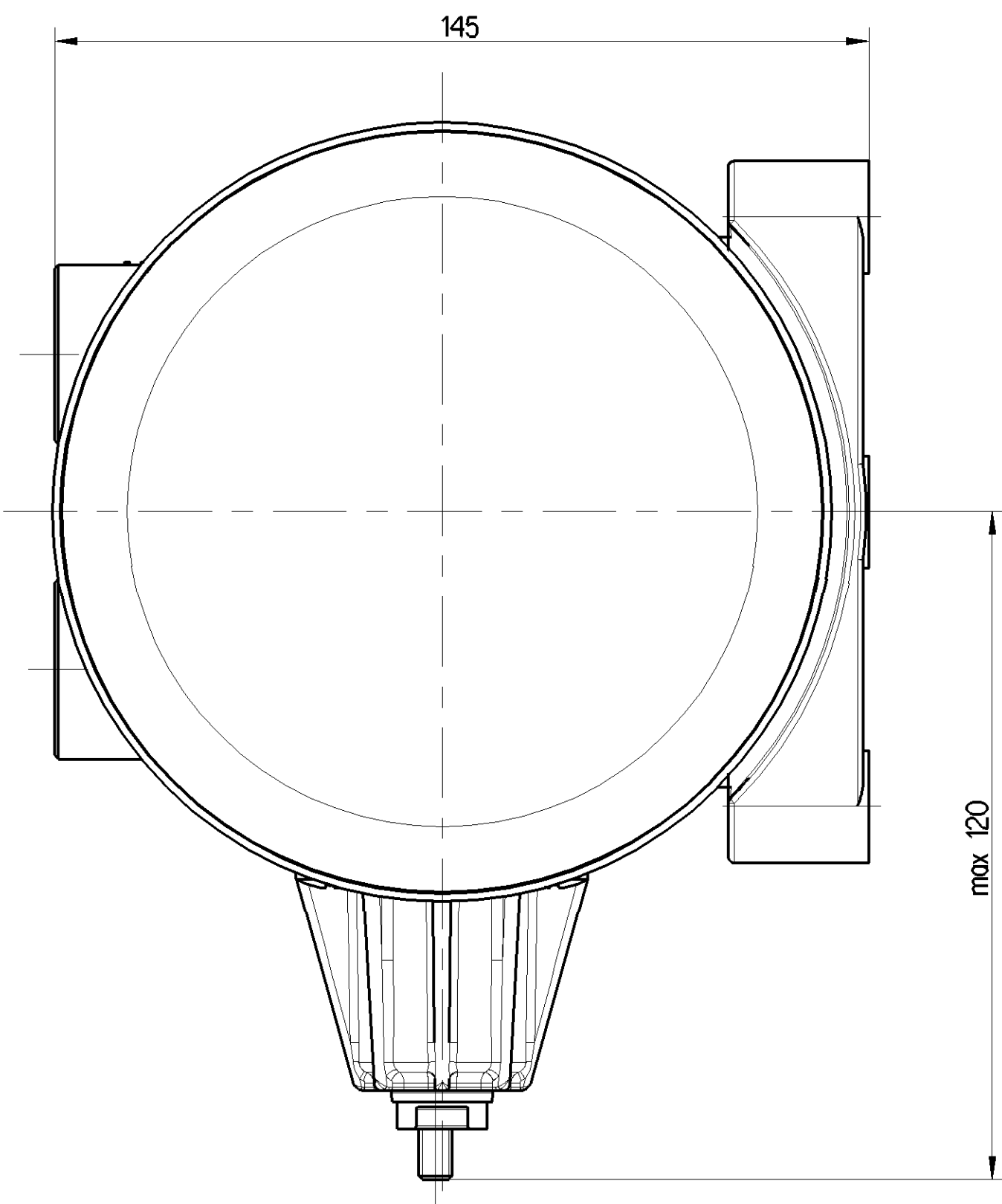
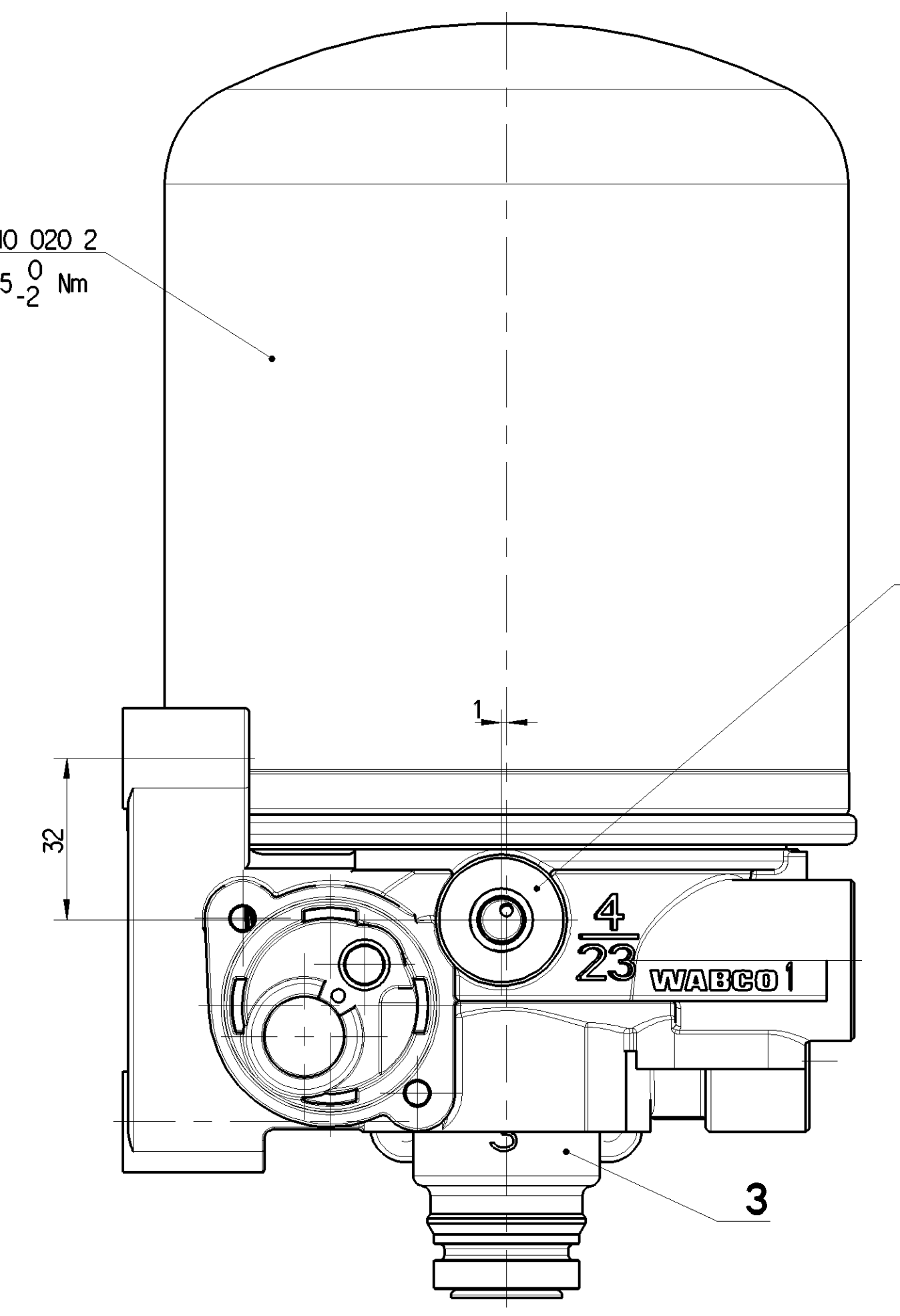
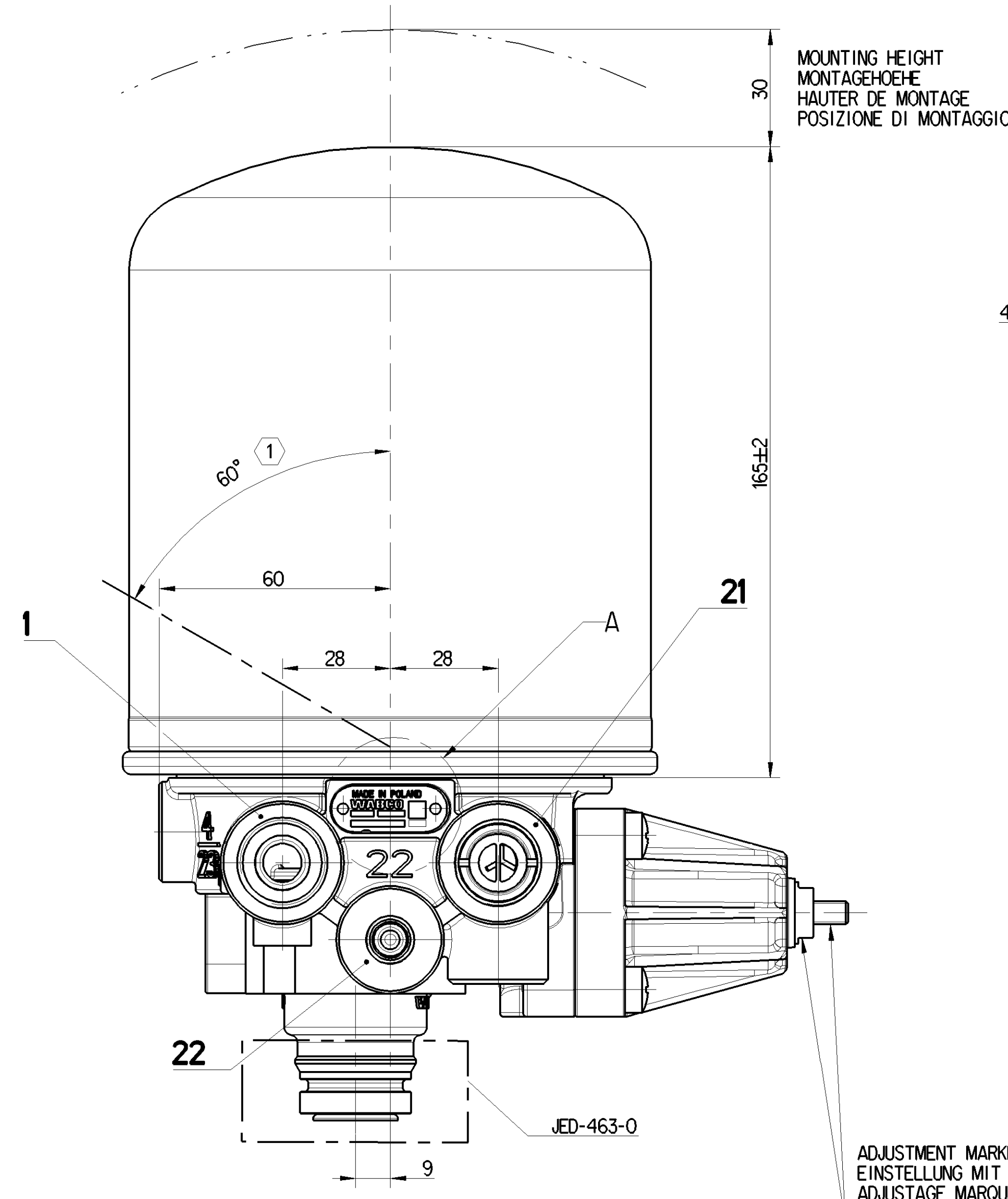
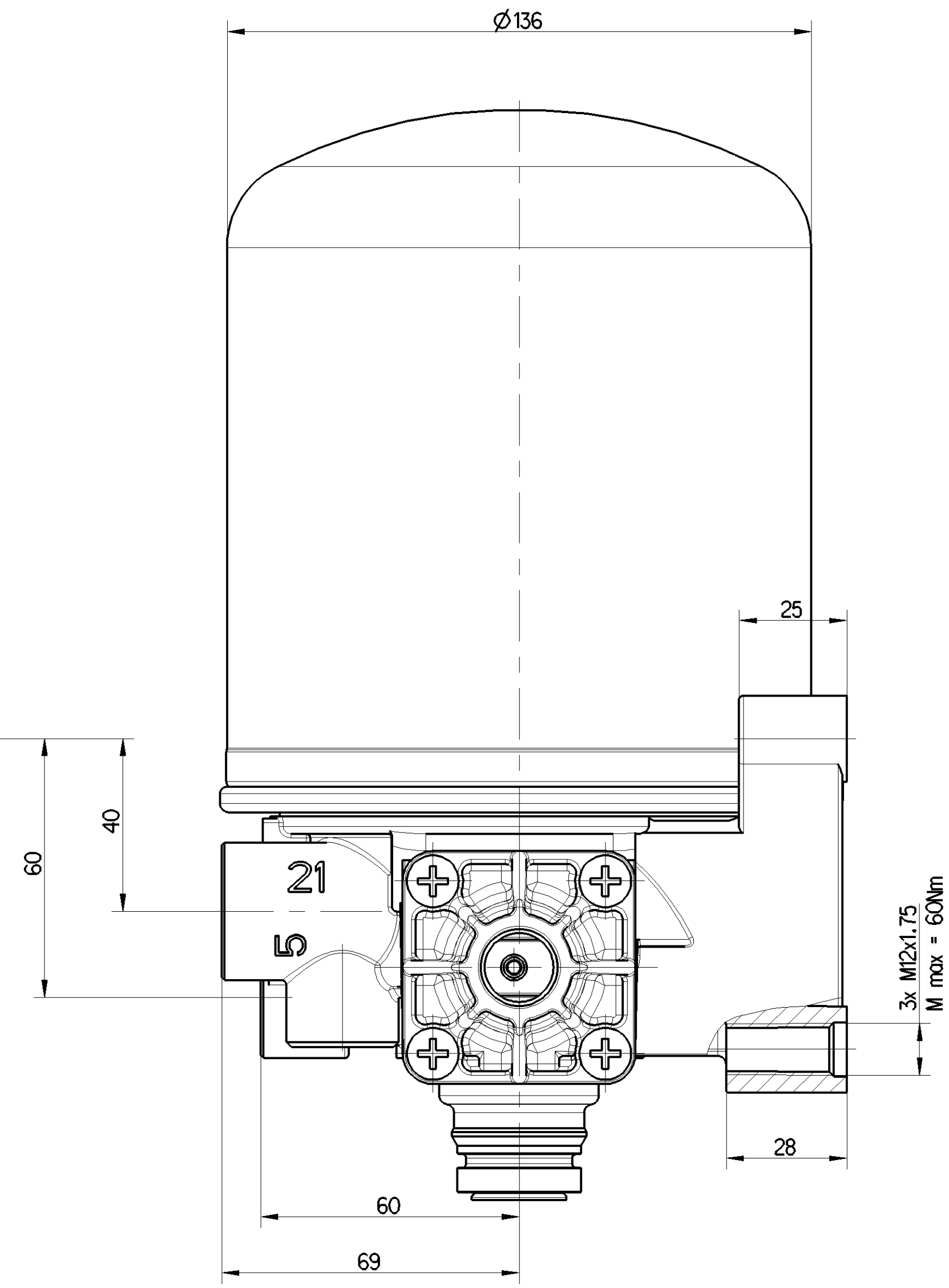
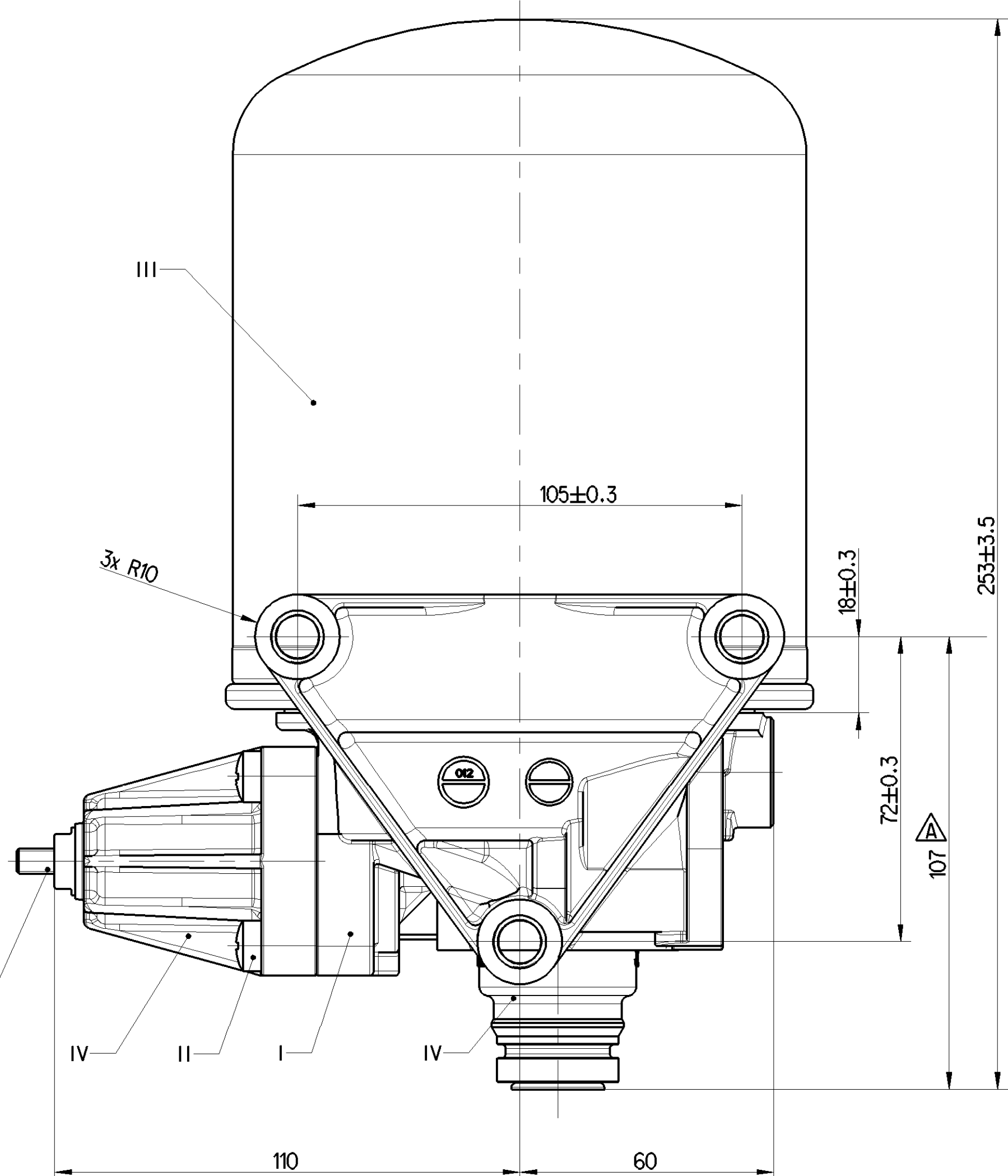
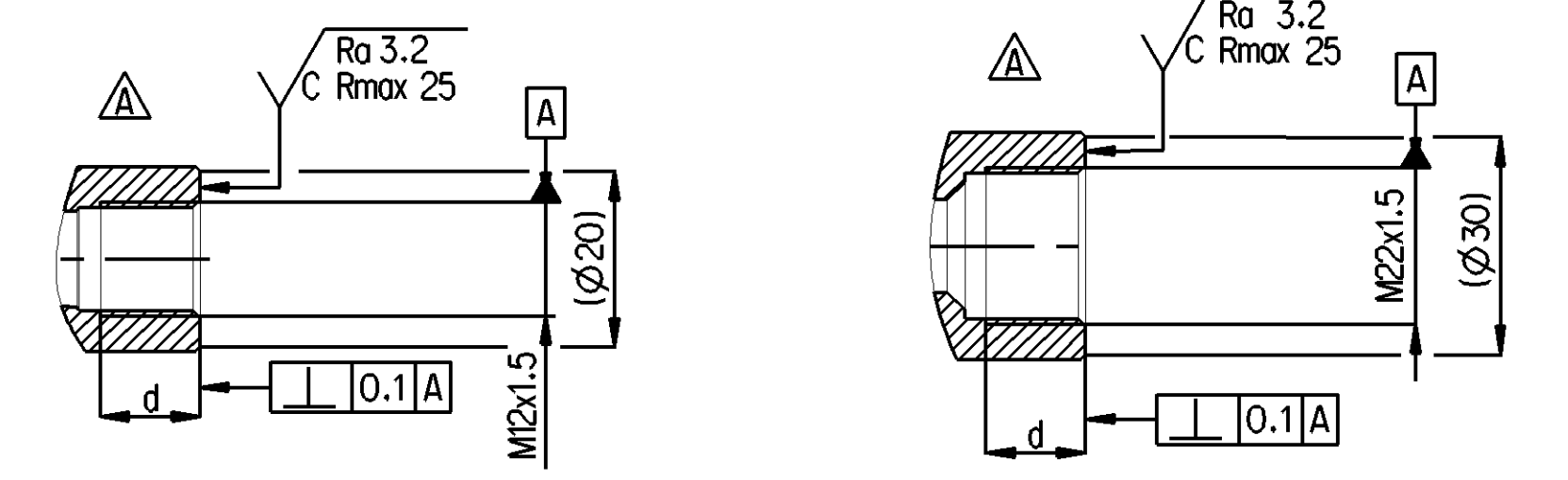


PART CODE	MATERIAL	SURFACE PROTECTION
I	ALUMINIUM ALLOY	CHROMATED
II	STEEL	PASSIVATED
III	STEEL	PAINTED
IV	PLASTIC	NO TREATMENT



PORT ANSCHLUSS ORIFIZIO	FUNCTION FUNCTION FUNZIONE	THREAD GEWINDE FILETTATURA
1	FROM THE COMPRESSOR VOM KOMPRESSOR PROVENANT DU COMPRESSEUR PROVENIENTE DEL COMPRESSORE	M22x1.5 d=15
21	TO THE RESERVOIRS ZU DEN LUFTBEHALTERN AUX RESERVOIR AL SERBATOII PER	M22x1.5 d=24.5
22	TO THE RESERVOIRS FOR REGENERATED AIR ZUM REGENERATIONS-LUFTBEHALTER AUX RESERVOIRS D' AIR REGENERE AL SERBATOII PER L' ARIA RIGENERATA	M12x1.5 d=12
3	EXHAUST FOR COMPRESSED AIR ENTLUEFTUNG FUER DRUCKLUFT ECHAPPEMENT POUR AIR COMPRI ME SCARICO PER ARIA COMPRESSA	-
4/23	CONTROL PORT STEUERANSCHLUSS ORIFIZIO DE COMMANDE ORIFIZIO DI COMANDO	M12x1.5 d=12

OUTLET (FOR CONTROL IMPULSE): MAX. VOLUMEN OF AIR AUSGANG (FUER STEUERIMPULS): MAX. ZU BELLUEFTENDES VOLUMEN Vmax = 0.1 l SORTIE USCITA



TECHNICAL DATA, TECHNISCHE DATEN, CARACTERISTIQUES TECHNIQUES, CARATTERISTICHE TECNICHE

THERMAL RANGE OF CONTINUOUS APPLICATION: -40°C... +65°C
TERMISSCHER DAUERANWENDUNGSBEREICH: -40°C... +65°C
PLAGE DE TEMPERATURE EN UTILISATION CONTINUE: -40°C... +65°C
COMPO DI APPLICAZIONE CONTINUA: -40°C... +65°C

RESISTANCE TO HEAT: +80°C MAX
WAERMEBESTAENDIGKEIT: +80°C MAX
RESISTANCE A LA CHALEUR: +80°C MAX
RESISTANZA AL CALORE: +80°C MAX

MEDIUM: COMPRESSED AIR
MEDIUM: DRUCKLUFT
FLUIDE: AIR COMPRI ME
FLUIDO: ARIA COMPRESSA

WORKING PRESSURE: Pe MAX=13 bar
BETRIEBSDRUCK: Pe MAX=13 bar
PRESSION DE SERVICE: Pe MAX=13 bar
PRESSIONE D' ESERCIZIO: Pe MAX=13 bar

MAX. PERMISSIBLE FREQUENCY: 50 Hz
MAX. ZULAESSIGE FREQUENZ: 50 Hz
MAX. ADMISSIBLE FREQUENZE: 50 Hz
MAX. AMMISSIBILE FREQUENZA: 50 Hz

MAX. PERMISSIBLE ACCELERATION: ±10g
MAX. ZULAESSIGE BESCHLUNIGUNG: ±10g
ACCELERATION MAX. ADMISSIBILE: ±10g
ACCELERAZIONE MAX. AMMESSA: ±10g

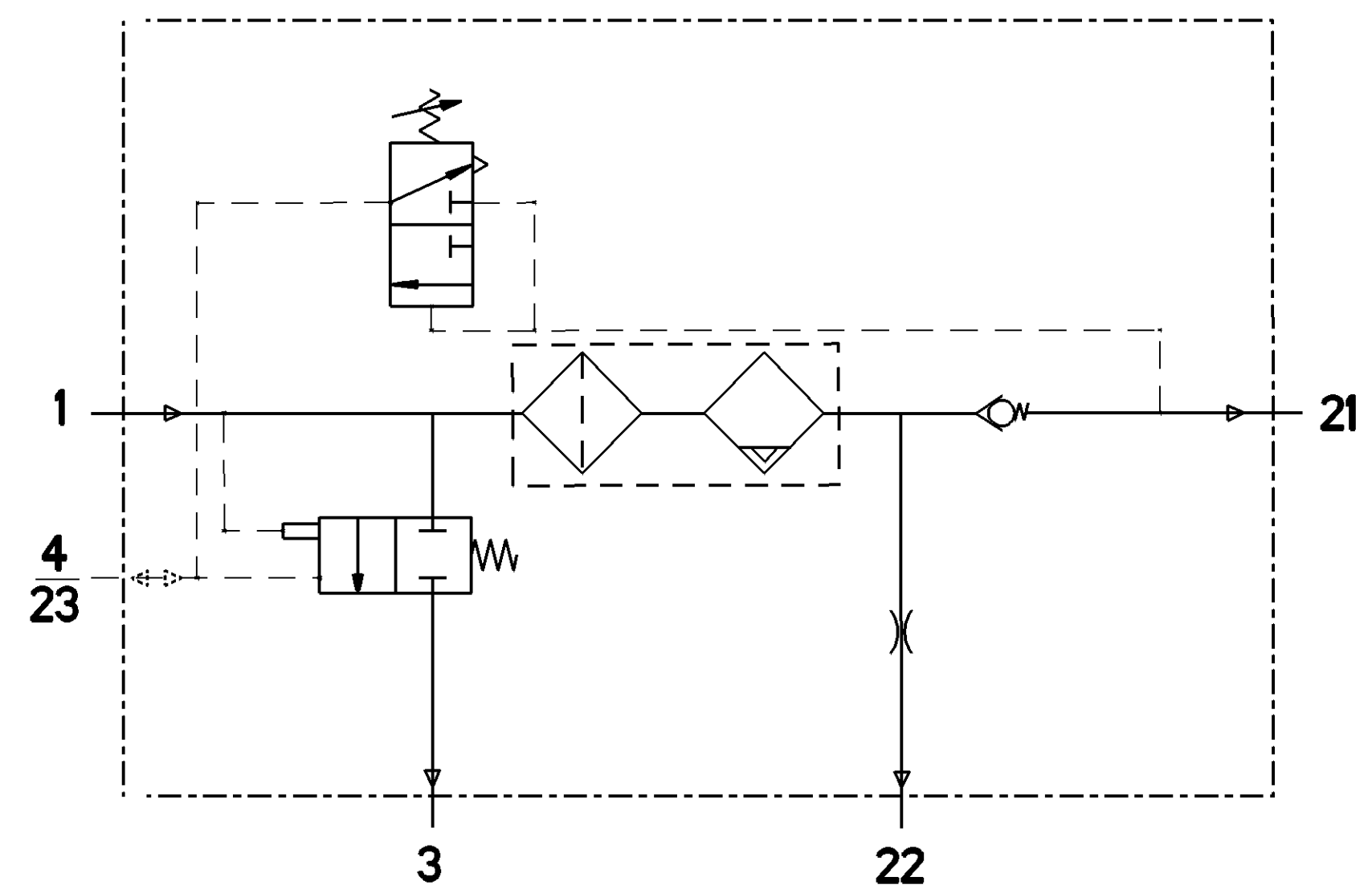
COMBINED UNLOADER: DRUCKREGLER
REGULATEUR DE PRESSION: REGULATEUR DE PRESSION
GRUPPO DI REGOLAZIONE: GRUPPO DI REGOLAZIONE

CUT OUT PRESSURE: 11.0±0.2 bar
ABSCHALTDRUCK: 11.0±0.2 bar
PRESSION D'OUVERTURE: 11.0±0.2 bar
PRESSIONE D' APERTURA: 11.0±0.2 bar

OPERATING RANGE: 0.7^{+0.6} bar
SCHALTSPANNE: 0.7^{+0.6} bar
PLAGE DE REGULATION: 0.7^{+0.6} bar
GAMMA DI REGOLAZIONE: 0.7^{+0.6} bar

DYNAMIC PRESSURE OF SAFETY VALVE: 13^{+0.6} bar (BEI V̇=100dm³/min.)
STALDRUCK DES SICHERHEITSVENTILES: 13^{+0.6} bar (BEI V̇=100dm³/min.)
PRESSION DYNAMIQUE DU SOUPEPE DE SECURITE: 13^{+0.6} bar (BEI V̇=100dm³/min.)
PRESSIONE DINAMICA DELLA VALVOLA DI SICUREZZA: 13^{+0.6} bar (BEI V̇=100dm³/min.)

TORQUES FOR CONNECTIONS: M12x1.5: Mmax = 21 Nm
ANZUGSMOMENT FUER EINSCHRAUBSTUTZEN: M12x1.5: Mmax = 21 Nm
COUPLE DE SERRAGE DES RACCORDS: M22x1.5: Mmax = 53 Nm
COPIA DI SERRAGGIO DEI RACCORDI: M22x1.5: Mmax = 53 Nm



General Specifications: ISO 8015, ED-334-1, Size ISO 14405 LP		Copyright WABCO®		WABCO	
Doc. Code: 0205	Product Specification	Date: 2022-07-13	Sheet: 1	To: 7	Version: 1.1
General Tolerances: ISO 2011		2022-08-31		Kuryeski	
Range of nominal dimensions in mm		Koskrwno		AIR DRYER	
Class: 11	± 50	± 80	± 100	± 150	± 200
Class: 12	± 0.05	± 0.1	± 0.15	± 0.2	± 0.3
Class: 13	± 0.1	± 0.15	± 0.2	± 0.3	± 0.5
Class: 14	± 0.15	± 0.2	± 0.3	± 0.5	± 0.8
Class: 15	± 0.2	± 0.3	± 0.5	± 0.8	± 1.2
Class: 16	± 0.3	± 0.5	± 0.8	± 1.2	± 2.0
Class: 17	± 0.5	± 0.8	± 1.2	± 2.0	± 3.0
Class: 18	± 0.8	± 1.2	± 2.0	± 3.0	± 5.0
Class: 19	± 1.2	± 2.0	± 3.0	± 5.0	± 8.0
Class: 20	± 2.0	± 3.0	± 5.0	± 8.0	± 12.0
Class: 21	± 3.0	± 5.0	± 8.0	± 12.0	± 20.0
Class: 22	± 5.0	± 8.0	± 12.0	± 20.0	± 30.0
Class: 23	± 8.0	± 12.0	± 20.0	± 30.0	± 50.0
Class: 24	± 12.0	± 20.0	± 30.0	± 50.0	± 80.0
Class: 25	± 20.0	± 30.0	± 50.0	± 80.0	± 120.0
Class: 26	± 30.0	± 50.0	± 80.0	± 120.0	± 200.0
Class: 27	± 50.0	± 80.0	± 120.0	± 200.0	± 300.0
Class: 28	± 80.0	± 120.0	± 200.0	± 300.0	± 500.0
Class: 29	± 120.0	± 200.0	± 300.0	± 500.0	± 800.0
Class: 30	± 200.0	± 300.0	± 500.0	± 800.0	± 1200.0
Class: 31	± 300.0	± 500.0	± 800.0	± 1200.0	± 2000.0
Class: 32	± 500.0	± 800.0	± 1200.0	± 2000.0	± 3000.0
Class: 33	± 800.0	± 1200.0	± 2000.0	± 3000.0	± 5000.0
Class: 34	± 1200.0	± 2000.0	± 3000.0	± 5000.0	± 8000.0
Class: 35	± 2000.0	± 3000.0	± 5000.0	± 8000.0	± 12000.0
Class: 36	± 3000.0	± 5000.0	± 8000.0	± 12000.0	± 20000.0
Class: 37	± 5000.0	± 8000.0	± 12000.0	± 20000.0	± 30000.0
Class: 38	± 8000.0	± 12000.0	± 20000.0	± 30000.0	± 50000.0
Class: 39	± 12000.0	± 20000.0	± 30000.0	± 50000.0	± 80000.0
Class: 40	± 20000.0	± 30000.0	± 50000.0	± 80000.0	± 120000.0
Class: 41	± 30000.0	± 50000.0	± 80000.0	± 120000.0	± 200000.0
Class: 42	± 50000.0	± 80000.0	± 120000.0	± 200000.0	± 300000.0
Class: 43	± 80000.0	± 120000.0	± 200000.0	± 300000.0	± 500000.0
Class: 44	± 120000.0	± 200000.0	± 300000.0	± 500000.0	± 800000.0
Class: 45	± 200000.0	± 300000.0	± 500000.0	± 800000.0	± 1200000.0
Class: 46	± 300000.0	± 500000.0	± 800000.0	± 1200000.0	± 2000000.0
Class: 47	± 500000.0	± 800000.0	± 1200000.0	± 2000000.0	± 3000000.0
Class: 48	± 800000.0	± 1200000.0	± 2000000.0	± 3000000.0	± 5000000.0
Class: 49	± 1200000.0	± 2000000.0	± 3000000.0	± 5000000.0	± 8000000.0
Class: 50	± 2000000.0	± 3000000.0	± 5000000.0	± 8000000.0	± 12000000.0
Class: 51	± 3000000.0	± 5000000.0	± 8000000.0	± 12000000.0	± 20000000.0
Class: 52	± 5000000.0	± 8000000.0	± 12000000.0	± 20000000.0	± 30000000.0
Class: 53	± 8000000.0	± 12000000.0	± 20000000.0	± 30000000.0	± 50000000.0
Class: 54	± 12000000.0	± 20000000.0	± 30000000.0	± 50000000.0	± 80000000.0
Class: 55	± 20000000.0	± 30000000.0	± 50000000.0	± 80000000.0	± 120000000.0
Class: 56	± 30000000.0	± 50000000.0	± 80000000.0	± 120000000.0	± 200000000.0
Class: 57	± 50000000.0	± 80000000.0	± 120000000.0	± 200000000.0	± 300000000.0
Class: 58	± 80000000.0	± 120000000.0	± 200000000.0	± 300000000.0	± 500000000.0
Class: 59	± 120000000.0	± 200000000.0	± 300000000.0	± 500000000.0	± 800000000.0
Class: 60	± 200000000.0	± 300000000.0	± 500000000.0	± 800000000.0	± 1200000000.0

INSTALLATION POSITION AS DRAWN
 EINBAUWEISE WIE GEZEICHNET
 POSITION D' INSTALLATION SUIVANT DESSIN
 POSIZIONE DI MONTAGGIO COME DISEGNATO