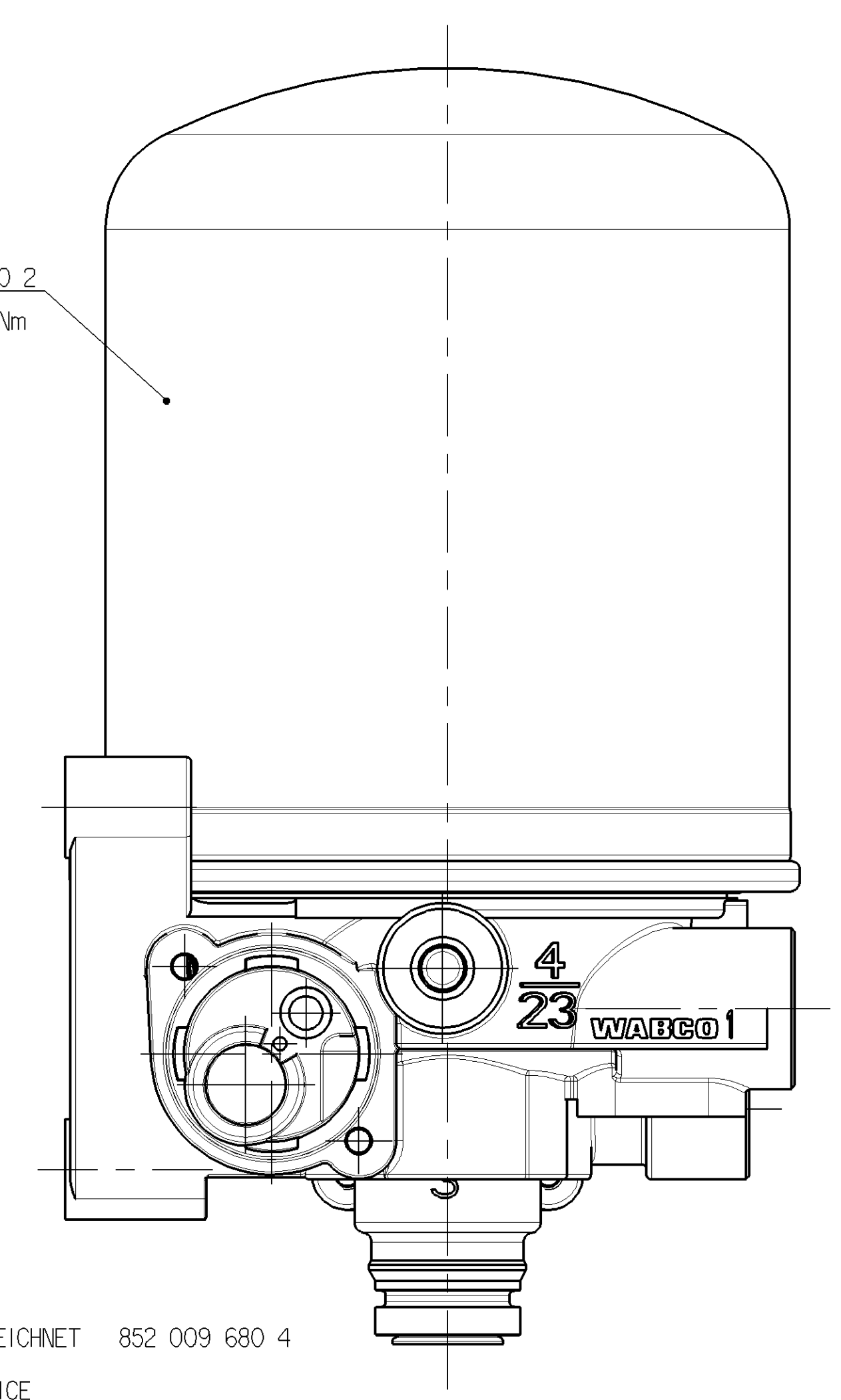
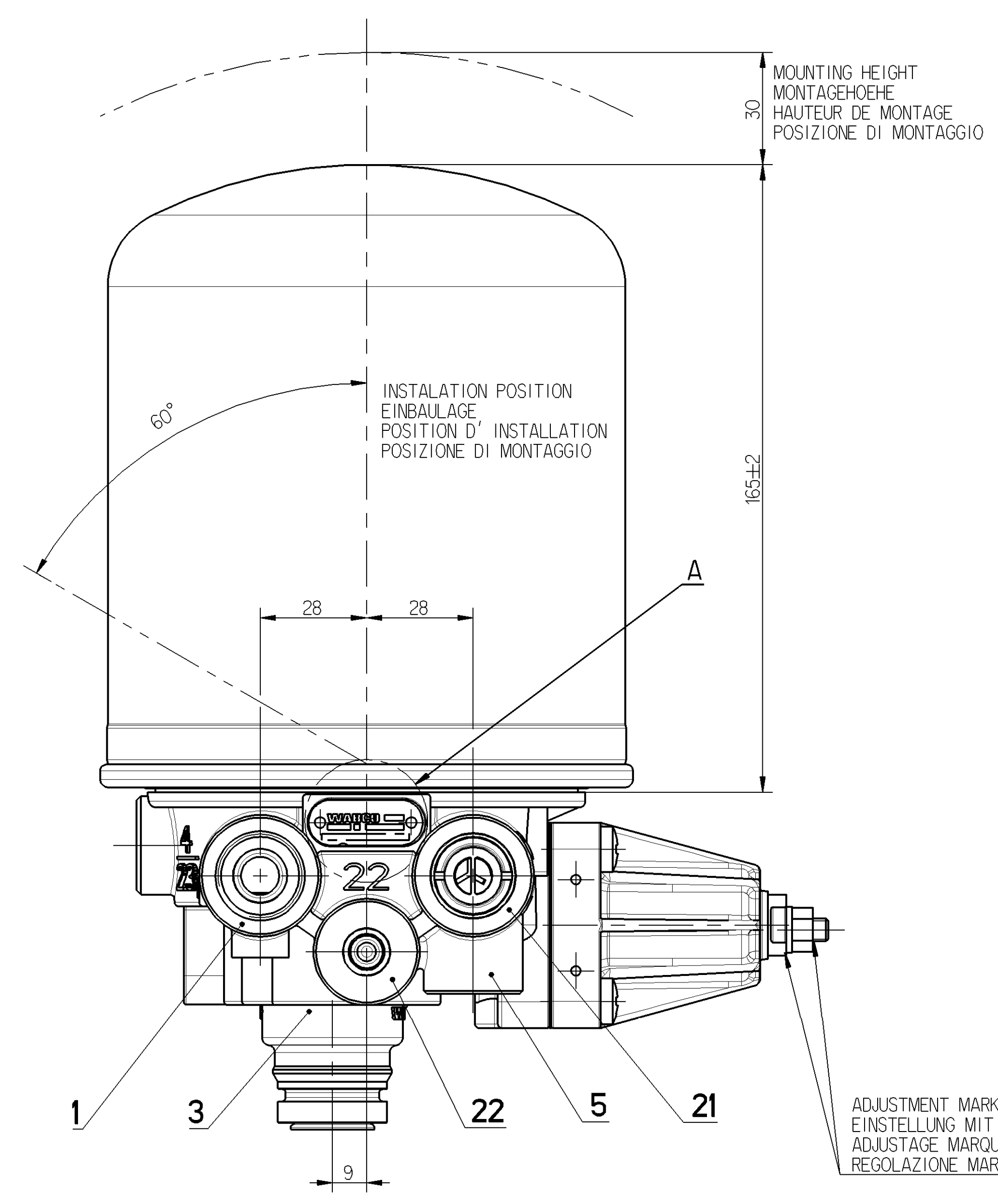
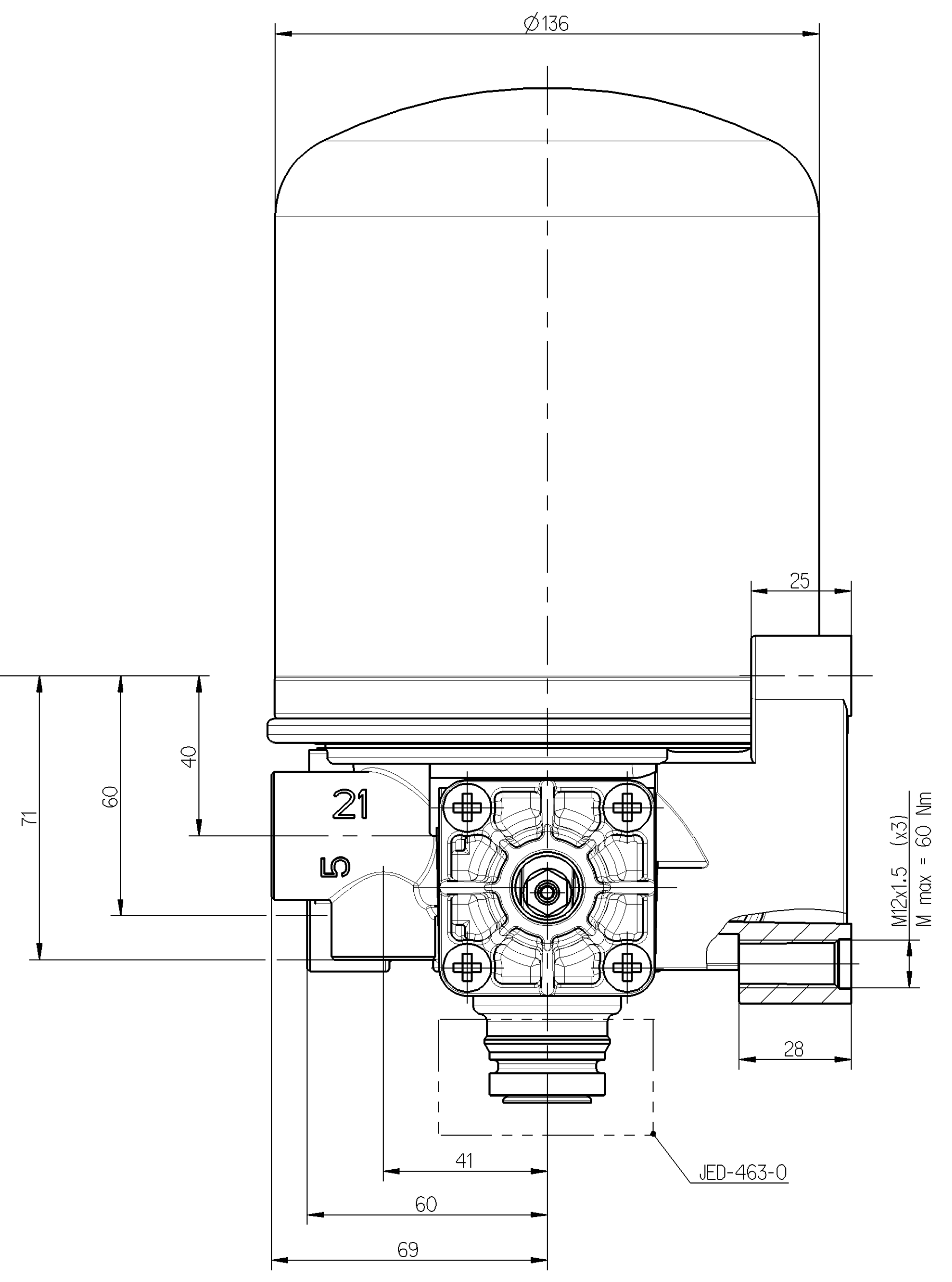
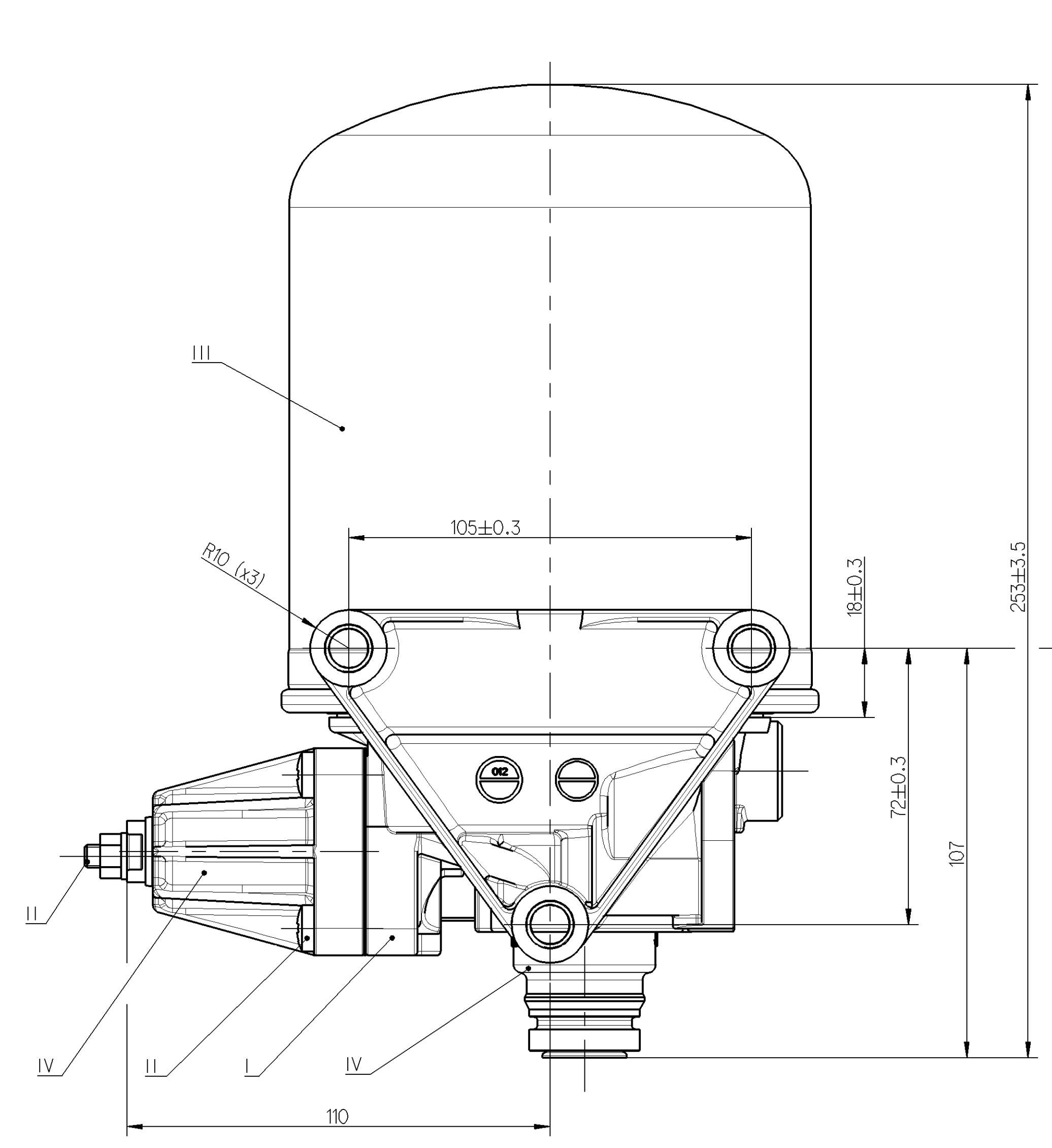
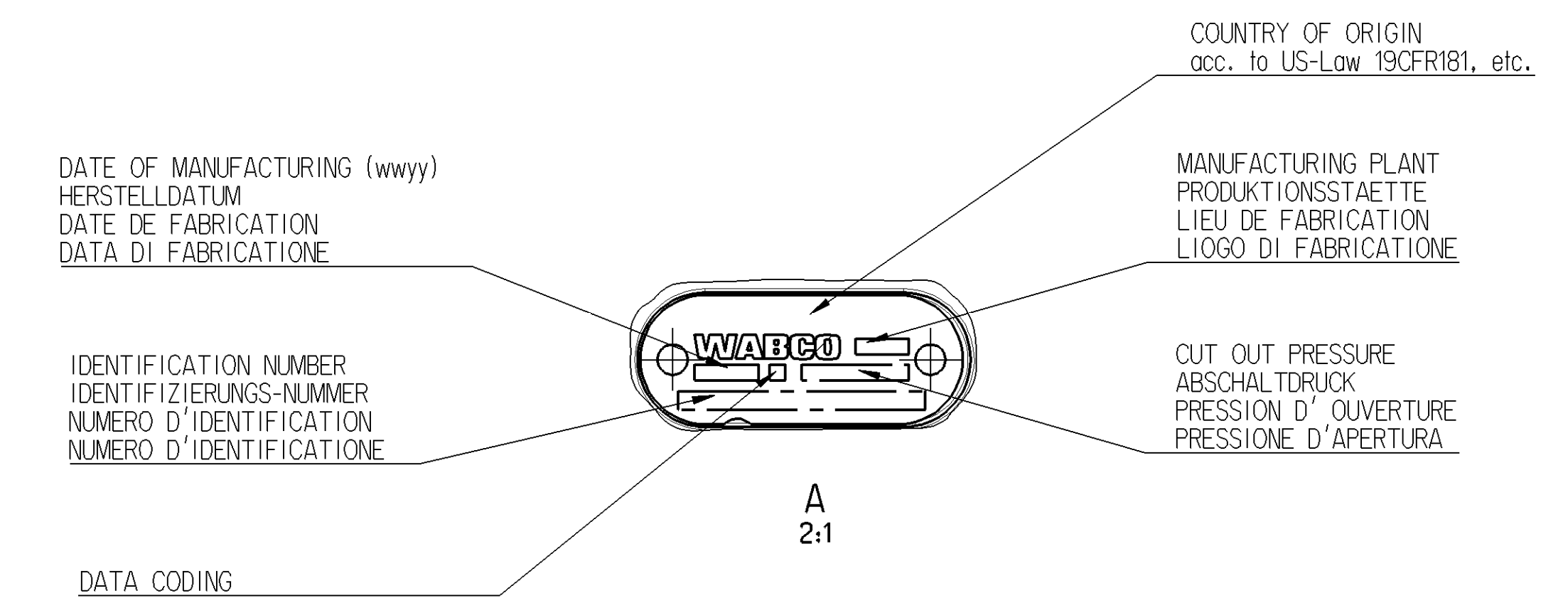
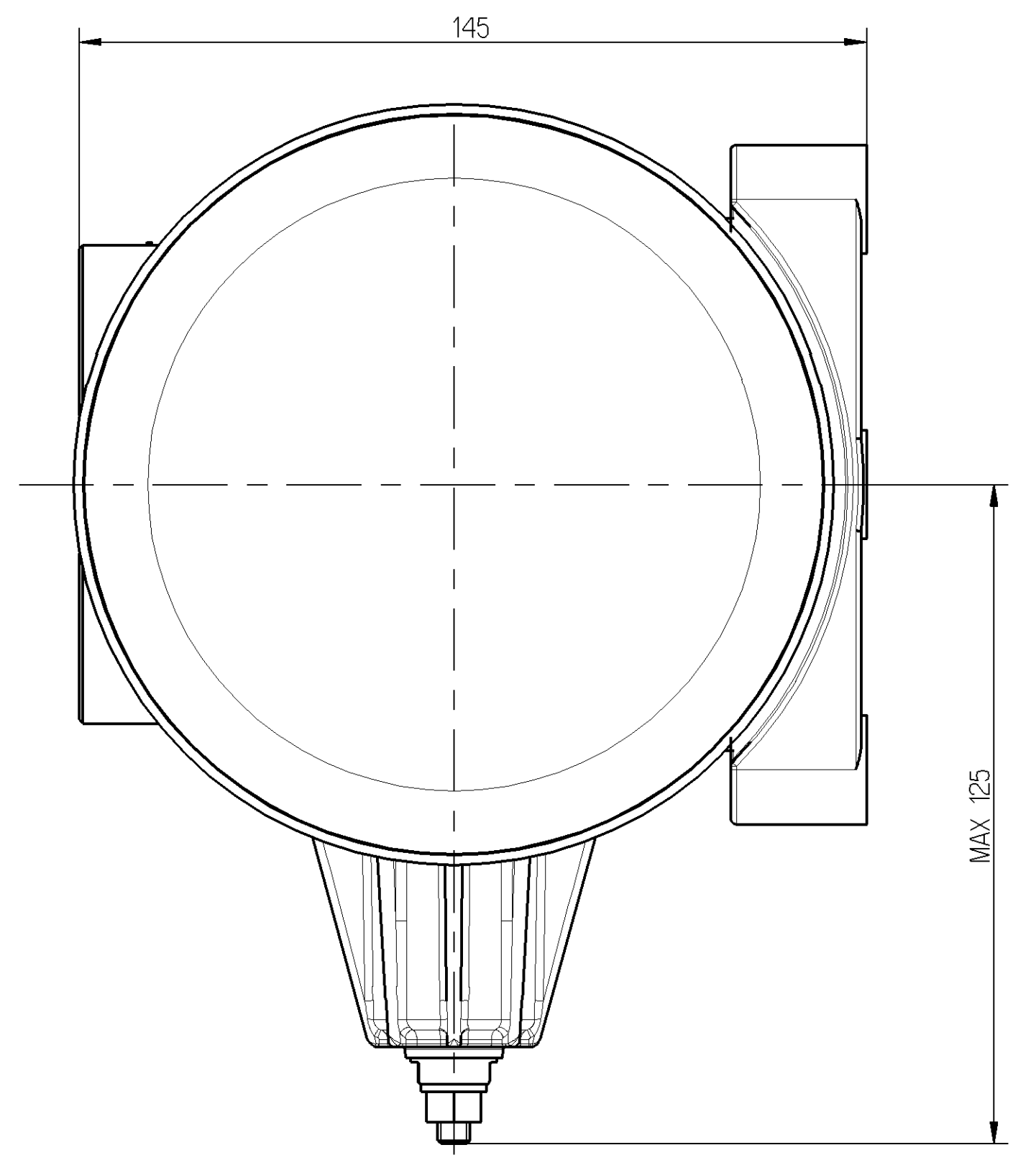


EXTERNAL SURFACE AEUSSERE OBERFLAECHE SURFACE EXTERIEURE SUPERFICIE ESTERNA	
I	JED-259
II	JED-256 OR JED-256-1
III	JED-471-0
IV	PLASTIC/KUNSTSTOFF

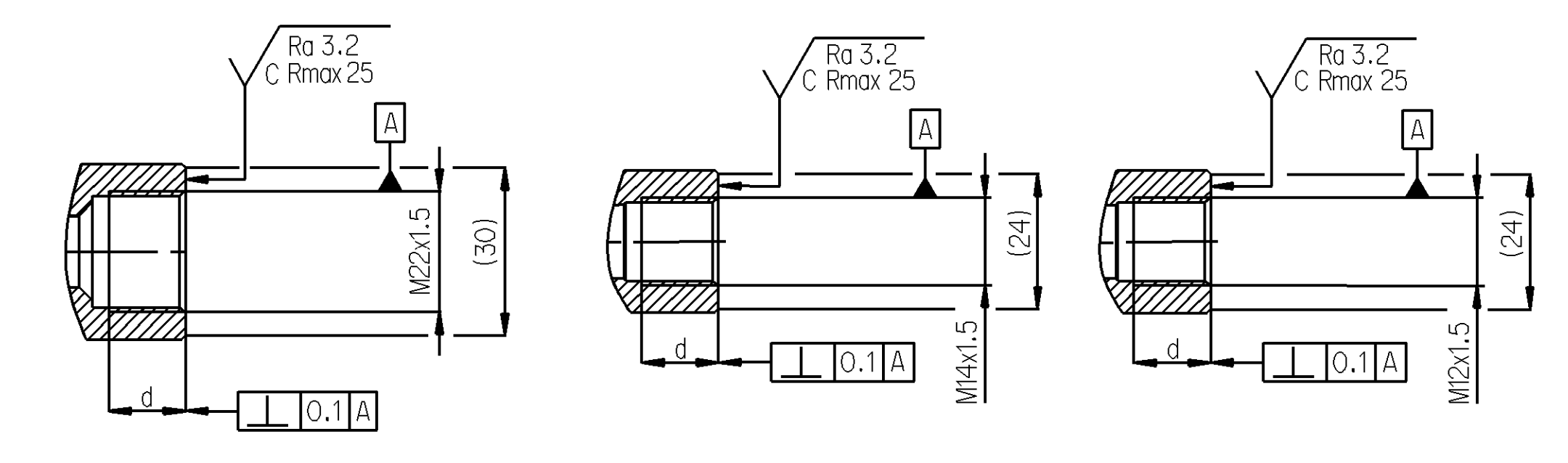
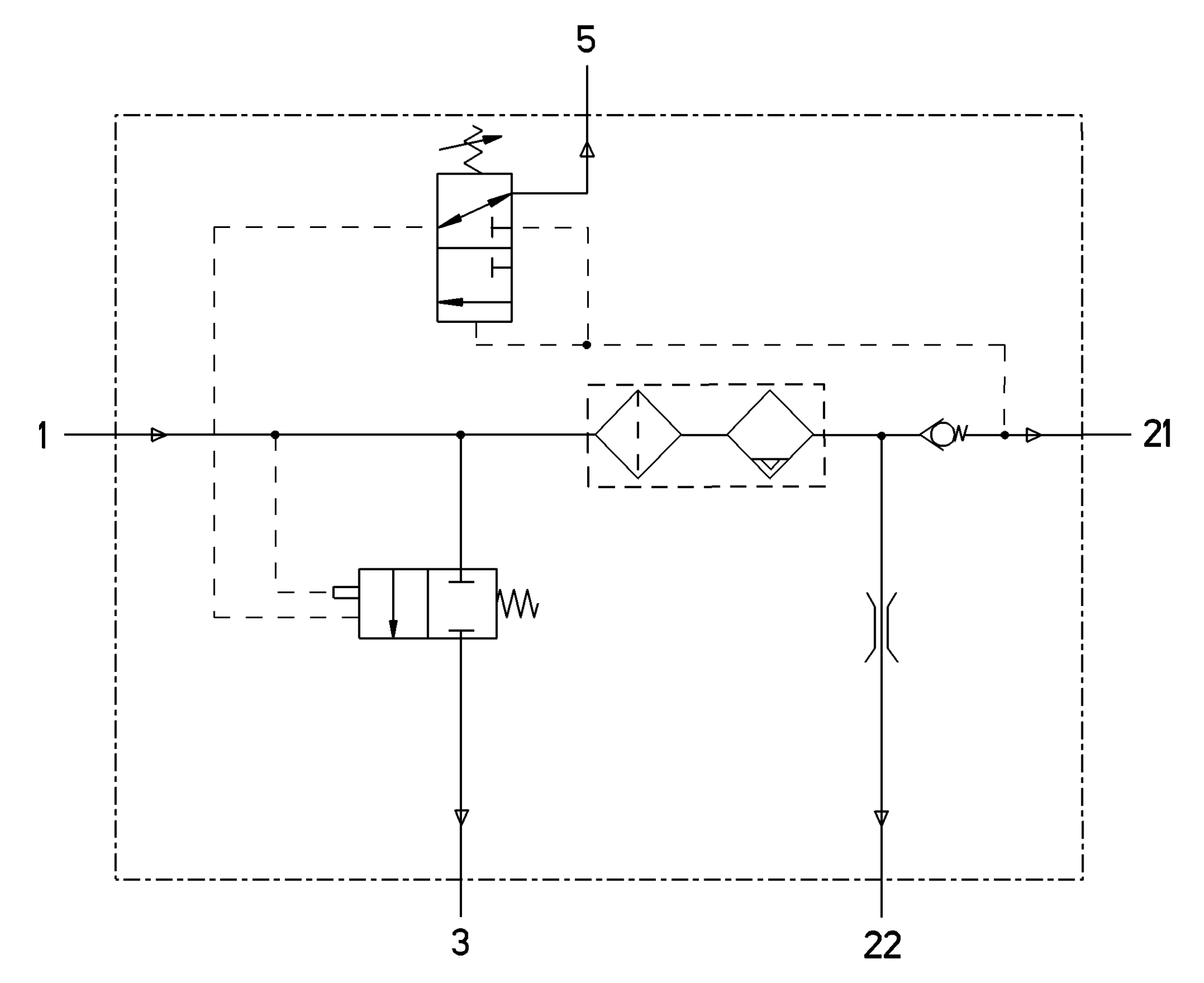


TECHNICAL DATA, TECHNISCHE DATEN, CARACTERISTIQUES TECHNIQUES, CARATTERISTICHE TECNICHE

THERMAL RANGE OF CONTINUOUS APPLICATION: THERMISCHER DAUERANWENDUNGSBEREICH: PLAGE DE TEMPERATURE EN UTILISATION CONTINUE: COMPO DI APPLICAZIONE CONTINUA:	-40°C... +65°C
RESISTANCE TO HEAT: WAERMEBESTAENDIGKEIT: RESISTANCE A LA CHALEUR: RESISTANZA AL CALORE:	+80°C MAX
MEDIUM, COMPRESSED AIR MEDIUM: DRUCKLUFT FLUIDE: AIR COMPRIME FLUIDO: ARIA COMPRESSA	
WORKING PRESSURE: BETRIEBSDRUCK: PRESSION DE SERVICE: PRESSIONE D'ESERCIZIO:	Pe MAX = 13 bar
MAX. PERMISSIBLE FREQUENCY MAX. ZULASSIGE FREQUENZ MAX. ADMISSIBLE FREQUENCE MAX. AMMISSIBILE FREQUENZA	50 Hz
MAX. PERMISSIBLE ACCELERATION MAX. ZULASSIGE BESCHLEUNIGUNG ACCELERATION MAX. ADMISSIBILE ACCELERAZIONE MAX. AMMESSA	±10g
COMBINED UNLOADER DRUCKREGLER REGULATEUR DE PRESSION GRUPPO DI REGOLAZIONE	
CUT OUT PRESSURE ABSCHALTDRUCK PRESSION D'OUVERTURE PRESSIONE D'APERATURA	9.5±0.2 bar
OPERATING RANGE SCHALTSPANNE PLAGE DE REGULATION GAMME DI REGULAZIONE	0.7 ^{+0.5} ₀ bar
DYNAMIC PRESSURE OF SAFETY VALVE: STAUDRUCK DES SICHERHEITSENTILLES: PRESSION DYNAMIQUE DU SOUPAPE DE SECURITE: PRESSIONE DINAMICA DELLA VALVOLA DI SICUREZZA:	12 ⁺⁴ ₀ bar (BEI Vn = 100 dm ³ /min)
TORQUES FOR CONNECTIONS: ANZUNGMOMENT FUER EINSCHRAUBSTUTZEN: COUPLE DE SERRAGE DES RACCORDS COPPIA DI SERRAGGIO DEI RACCORDI:	M12x1.5: Mmax = 21 Nm M14x1.5: Mmax = 25 Nm M22x1.5: Mmax = 53 Nm
INSTALLATION POSITION AS DRAWN EINBAULAGE WIE GEZEICHNET POSITION D'INSTALLATION SUIVANT DESSIN POSIZIONE DI MONTAGGIO COME DISEGNATO	
PERMITTED SILENCER: FREIGEBENER GERAEUSCHDAEMPFER SILENCIEUX PERMIS SILENZIATORE AMMESSO	432 407 012 0



PORT ANSCHLUSS ORIFICE ORIFIZIO	FUNCTION FUNKTION FONCTION FUNZIONE	THREAD GEWINDE FILETTATURA
1	FROM THE COMPRESSOR VOM KOMPRESSOR PROVENANT DU COMPRESSEUR PROVENIENTE DEL COMPRESSORE	M22x1.5 d=15
21	TO THE RESERVOIRS ZU DEN LUFTBEHAELTERN AUX RESERVOIR AL SERBATOII PER	M22x1.5 d=24.5
22	TO RESERVOIR FOR REGENERATION AIR ZUM REGENERATIONS-LUFTBEHAELTER AU RESERVOIR D'AIR DE REGENERATION AL SERBATOII PER L'ARIA RIGENERATA	M12x1.5 d=12
3	EXHAUST FOR COMPRESSED AIR ENTLUFTUNG FUER DRUCKLUFT ECHAPPEMENT POUR AIR COMPRI SCARIO PER ARIA COMPRESSA	SILENCER
5	CONTROL PORT / EXHAUST FOR COMPRESSED AIR STEUERANSCHLUSS / ENTLUEFTUNG FUER DRUCKLUFT ORIFICE DE COMMANDE / ECHAPPEMENT POUR AIR COMPRI ORIFIZIO DI COMANDO / SCARIO PER ARIA COMPRESSA	M14x1.5 d=12



General Specification: JED-354-0	Copyright WABCO	WABCO
Further Technical Data: PRODUCT SPECIFICATION	Date: 2013-02-11	AIR DRYER LUFTTROCKNER DESSICATEUR D' AIR ESSICCATORE D' ARIA
Drawn: 1	Checked: 1	005 ML 1/1
General Tolerances: ISO 201	2013-02-11	432 410 025 0
Range of Nominal Dimensions (d, mm)	Material No.	005 ML 1/1
Class 11: 50, 100, 160, 200, 250, 315, 400, 500	432 410 025 0	005 ML 1/1
Class 12: 0.5, 1.0, 1.5, 2.0	432 410 025 0	005 ML 1/1
Class 13: 1.0, 2.0, 3.0, 4.0, 5.0, 6.0, 8.0	432 410 025 0	005 ML 1/1
Class 14: 1.0, 2.0, 3.0, 4.0, 5.0, 6.0, 8.0	432 410 025 0	005 ML 1/1
Class 15: 1.0, 2.0, 3.0, 4.0, 5.0, 6.0, 8.0	432 410 025 0	005 ML 1/1
Class 16: 1.0, 2.0, 3.0, 4.0, 5.0, 6.0, 8.0	432 410 025 0	005 ML 1/1
Class 17: 1.0, 2.0, 3.0, 4.0, 5.0, 6.0, 8.0	432 410 025 0	005 ML 1/1
Class 18: 1.0, 2.0, 3.0, 4.0, 5.0, 6.0, 8.0	432 410 025 0	005 ML 1/1
Class 19: 1.0, 2.0, 3.0, 4.0, 5.0, 6.0, 8.0	432 410 025 0	005 ML 1/1
Class 20: 1.0, 2.0, 3.0, 4.0, 5.0, 6.0, 8.0	432 410 025 0	005 ML 1/1
Class 21: 1.0, 2.0, 3.0, 4.0, 5.0, 6.0, 8.0	432 410 025 0	005 ML 1/1
Class 22: 1.0, 2.0, 3.0, 4.0, 5.0, 6.0, 8.0	432 410 025 0	005 ML 1/1
Class 23: 1.0, 2.0, 3.0, 4.0, 5.0, 6.0, 8.0	432 410 025 0	005 ML 1/1
Class 24: 1.0, 2.0, 3.0, 4.0, 5.0, 6.0, 8.0	432 410 025 0	005 ML 1/1
Class 25: 1.0, 2.0, 3.0, 4.0, 5.0, 6.0, 8.0	432 410 025 0	005 ML 1/1
Class 26: 1.0, 2.0, 3.0, 4.0, 5.0, 6.0, 8.0	432 410 025 0	005 ML 1/1
Class 27: 1.0, 2.0, 3.0, 4.0, 5.0, 6.0, 8.0	432 410 025 0	005 ML 1/1
Class 28: 1.0, 2.0, 3.0, 4.0, 5.0, 6.0, 8.0	432 410 025 0	005 ML 1/1
Class 29: 1.0, 2.0, 3.0, 4.0, 5.0, 6.0, 8.0	432 410 025 0	005 ML 1/1
Class 30: 1.0, 2.0, 3.0, 4.0, 5.0, 6.0, 8.0	432 410 025 0	005 ML 1/1