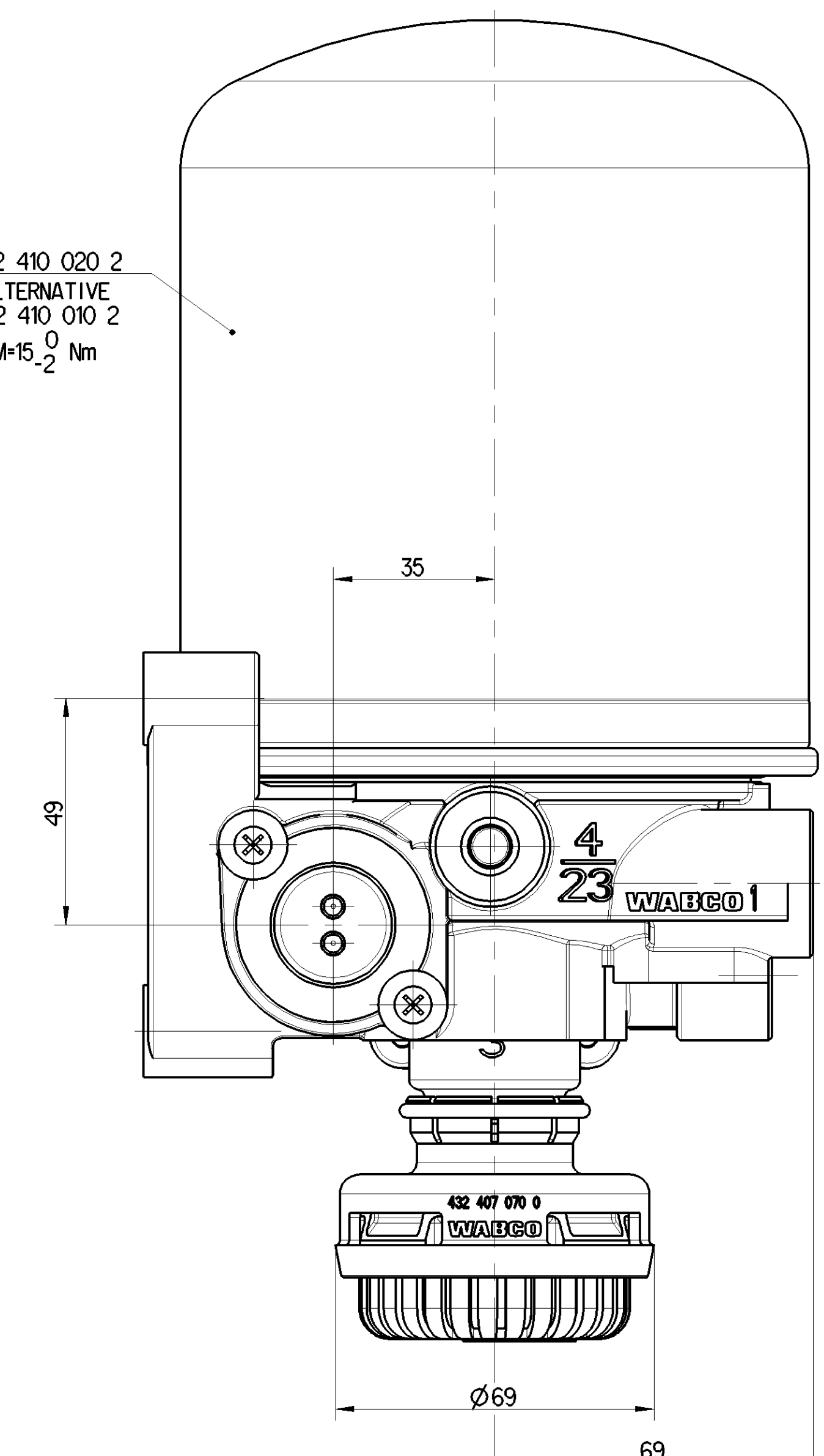
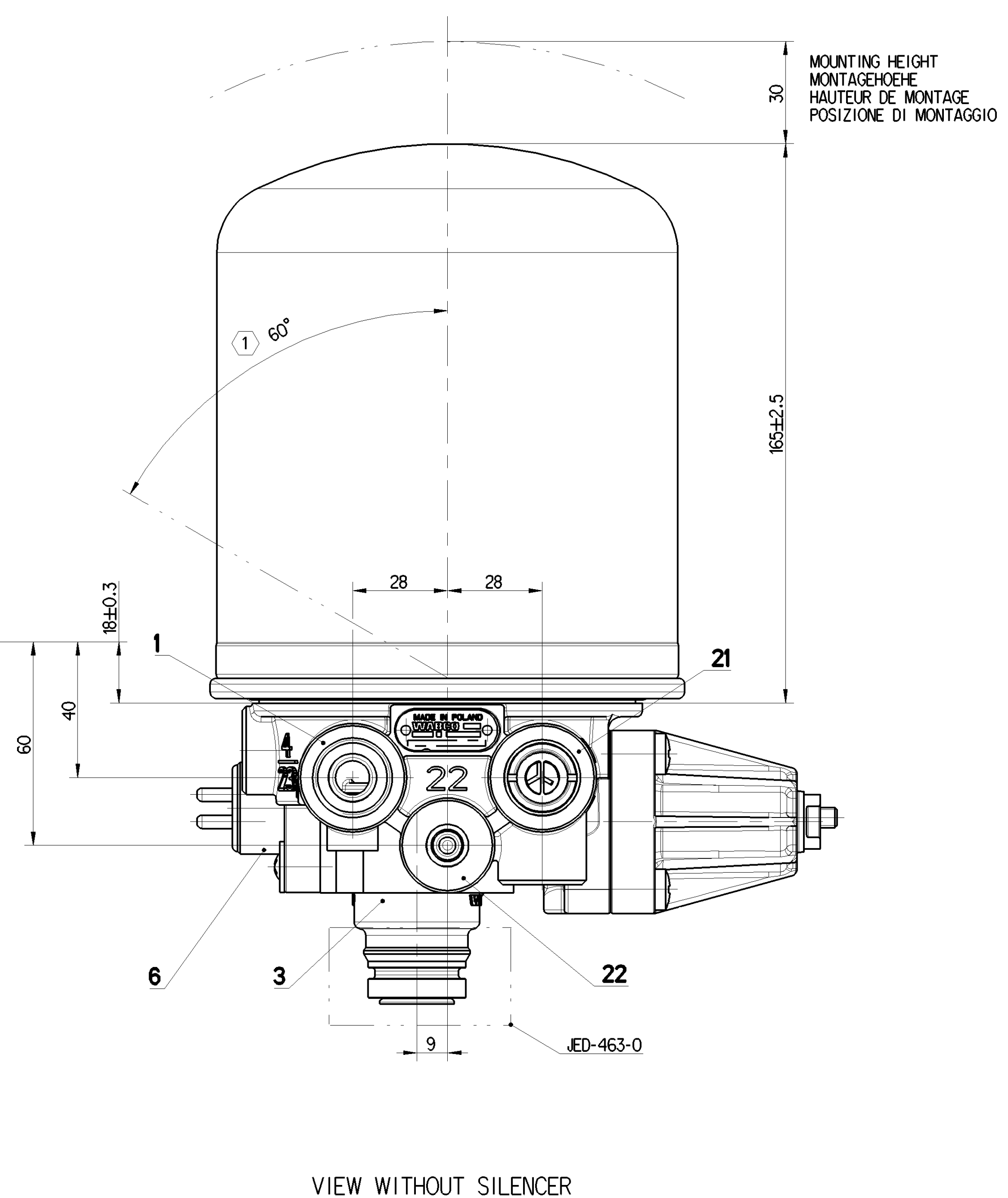
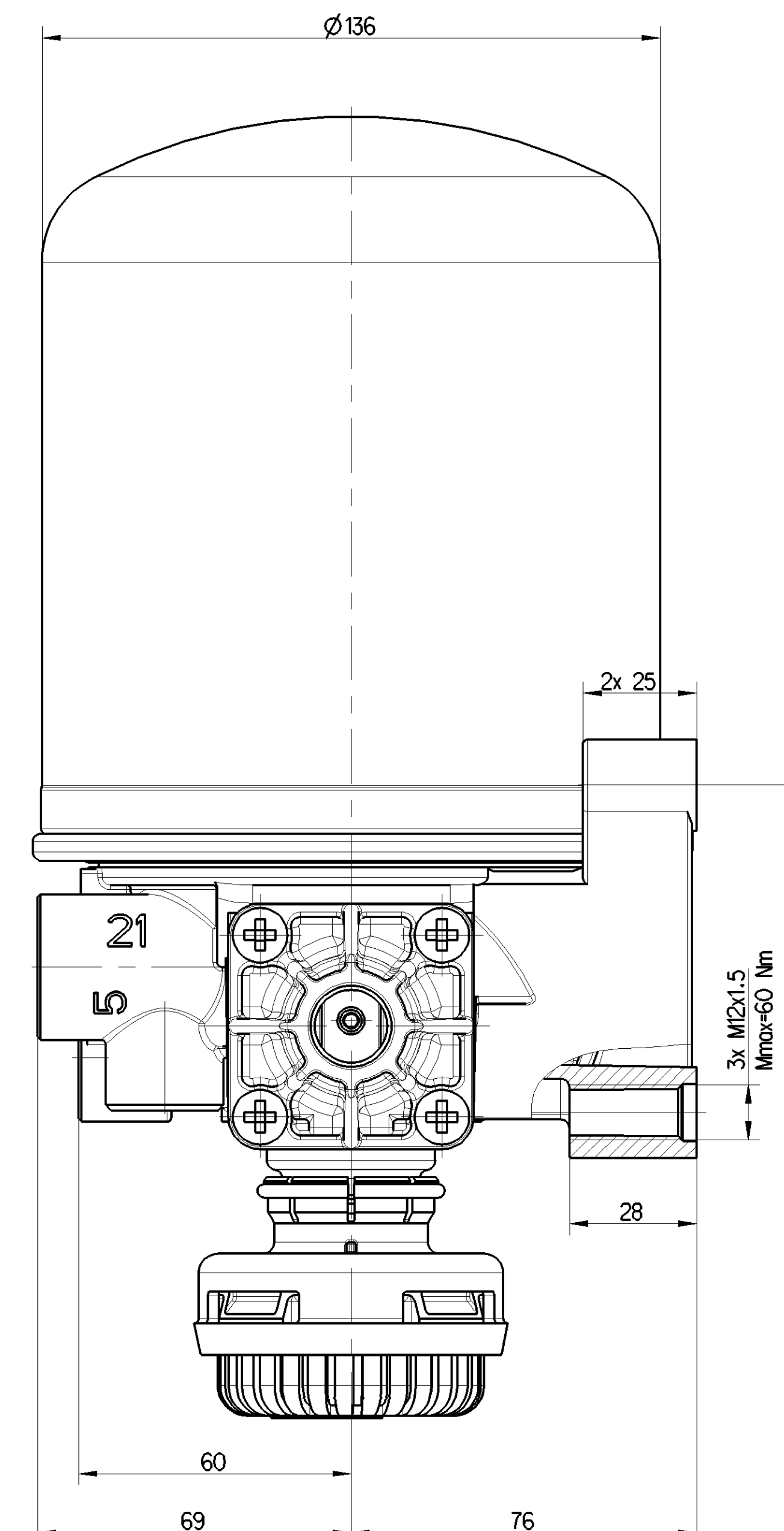
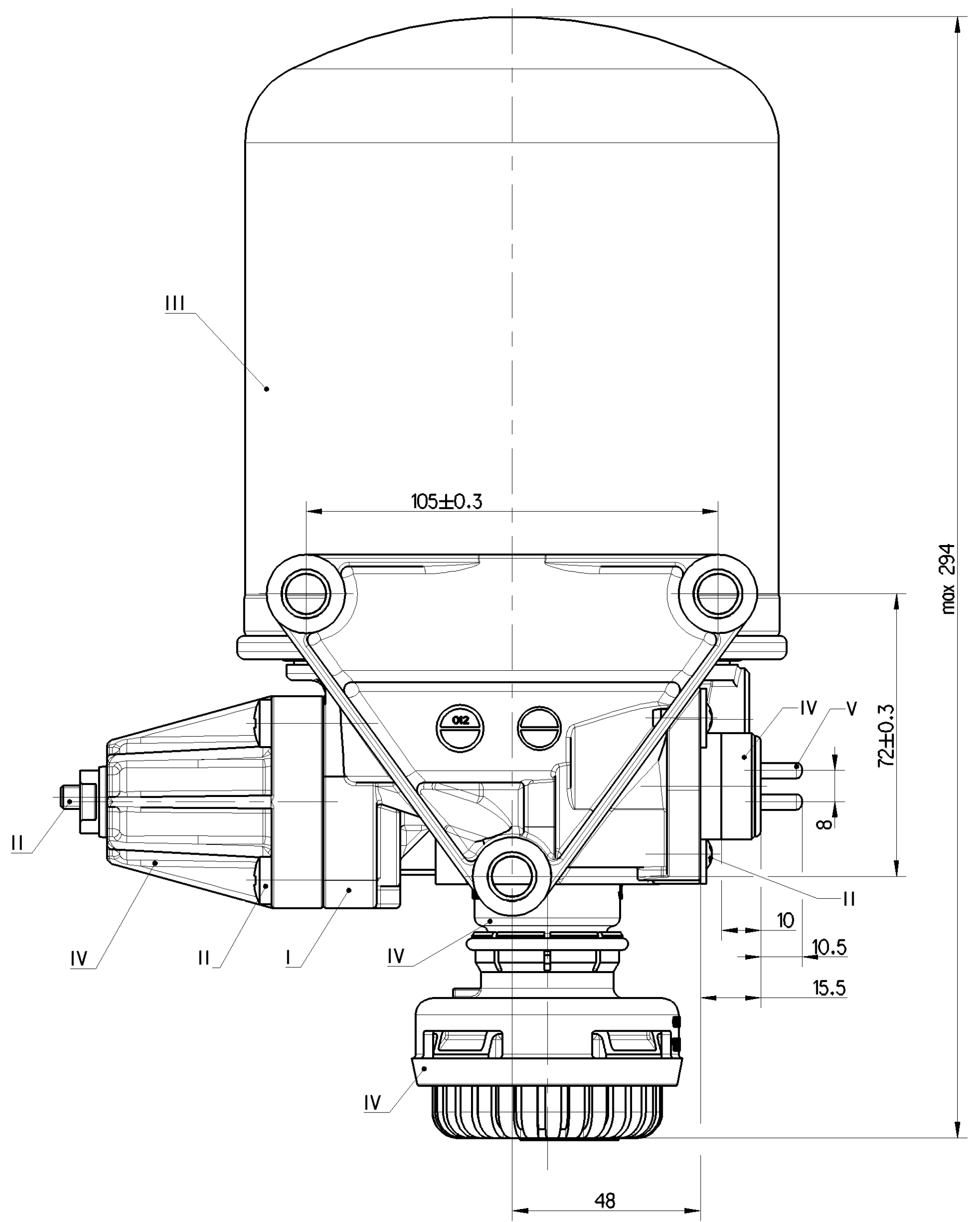
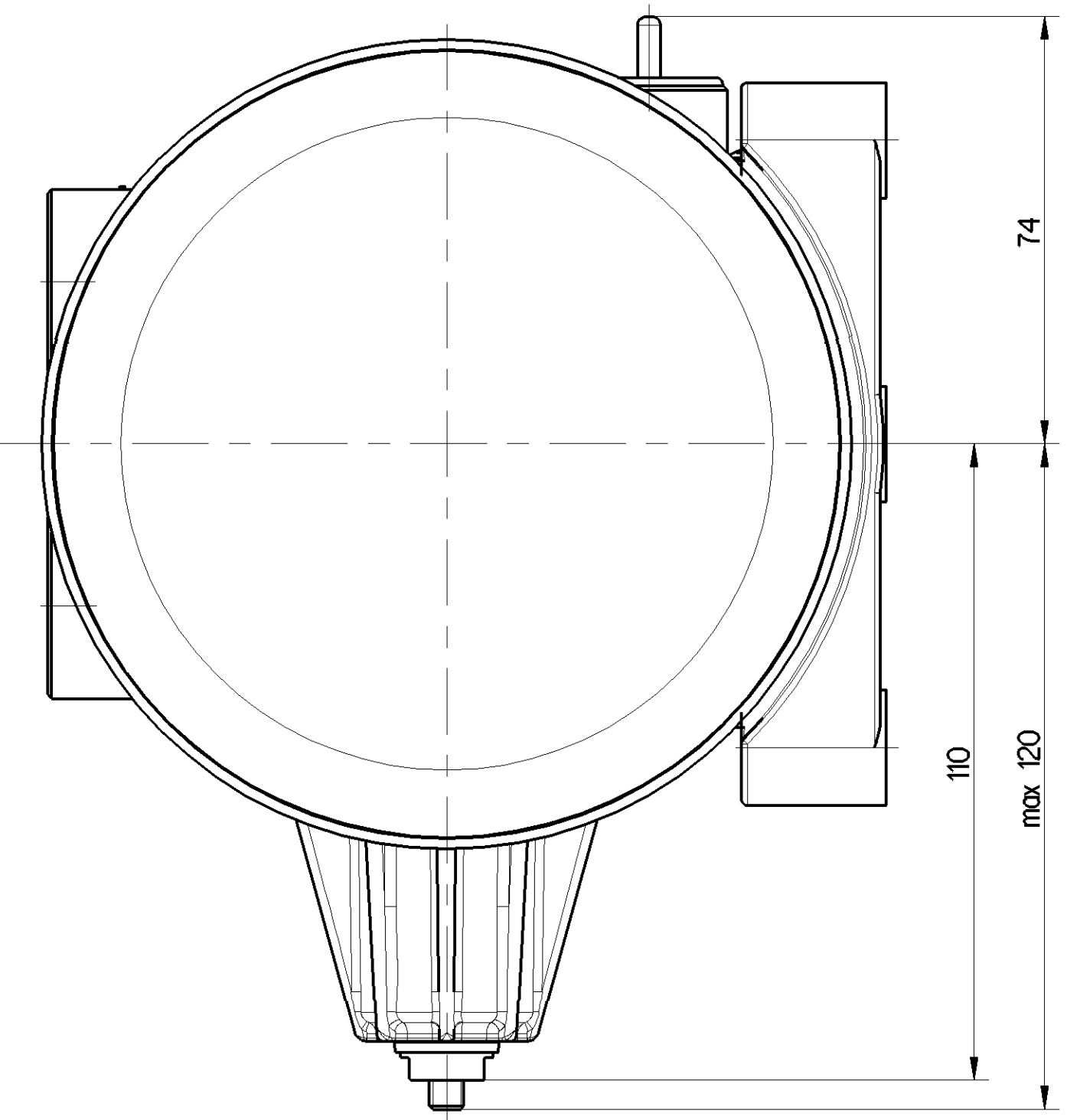


EXTERNAL SURFACE ÄUSSERE OBERFLÄCHE SURFACE EXTERIEURE SUPERFICIE ESTERNA
I JED-259
II JED-256
III JED-471-0 BLACK/SCHWARZ
IV PLASTIC/KUNSTSTOFF
V JED-570-656



432 410 020 2
A 432 410 010 2
M=15,2 Nm

VIEW WITHOUT SILENCER



TECHNICAL DATA, TECHNISCHE DATEN, CARACTERISTIQUES TECHNIQUES, CARATTERISTICHE TECNICHE

THERMAL RANGE OF CONTINUOUS APPLICATION:
THERMISCHER DAUERANWENDUNGSBEREICH:
PLAGE DE TEMPERATURE EN UTILISATION CONTINUE:
COMPO DI APPLICAZIONE CONTINUA: -40°C... +65°C

RESISTANCE TO HEAT:
WÄRMEBESTÄNDIGKEIT:
RESISTANCE A LA CHALEUR:
RESISTANZA AL CALORE: +80°C MAX.

MEDIUM:
MEDIUM:
FLUIDE:
FLUIDO: COMPRESSED AIR
DRUCKLUFT
AIR COMPRIE
ARIA COMPRESA

WORKING PRESSURE:
BETRIEBSDRUCK:
PRESSION DE SERVICE:
PRESSIONE D' ESERCIZIO: Pe MAX. +13 bar

MAX. PERMISSIBLE FREQUENCY:
MAX. ZULÄSSIGE FREQUENZ:
MAX. ADMISSIBLE FREQUENZE:
MAX. AMMISSIBILE FREQUENZA: 50 Hz

MAX. PERMISSIBLE ACCELERATION:
MAX. ZULÄSSIGE BESCHLUNIGUNG:
ACCELERATION MAX. ADMISSIBLE:
ACCELERAZIONE MAX. AMMISSA: ±10 xg

DYNAMIC PRESSURE OF SAFETY VALVE:
STAUDRUCK DES SICHERHEITSVENTILES:
PRESSION DYNAMIQUE DU SOUPAPE DE SECURITE:
PRESSIONE DINAMICA DELLA VALVOLOA DI SICUREZZA: 10⁻⁴ bar (BY $\sqrt{V=100}$ dm³/min)

TORQUES FOR CONNECTIONS:
ANZUNGSNOMENT FUER EINSCHRAUBSTUTZEN:
COUPLE DE SARRAGE DES RACCORDS:
COPPIA DI SERRAGGIO DEI RACCORDI: M12x1,5: Mmax = 21 Nm
M22x1,5: Mmax = 53 Nm

1) INSTALLATION POSITION AS DRAWN
EINBALLAGE, WIE GEZEICHNET
POSITION D' INSTALLATION SUIVANT DESSIN
POSIZIONE DI MONTAGGIO COME DISEGNATO

COMBINED UNLOADER
DRUCKREGLER
REGULATEUR DE PRESSION
GRUPPO DI REGOLAZIONE: 8.1±0.2 bar

OPERATING RANGE:
SCHALTSPANNE: 0.6^{+0.4}₀ bar

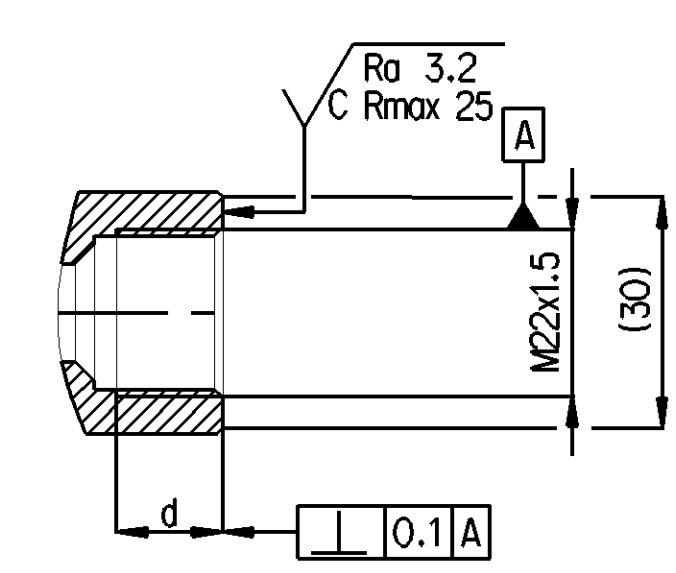
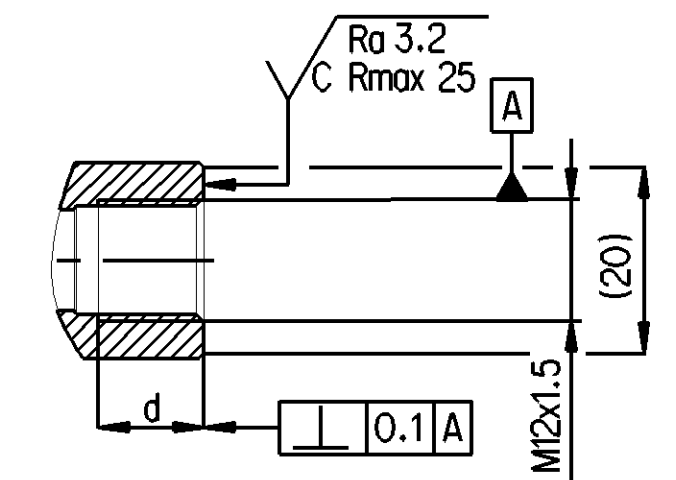
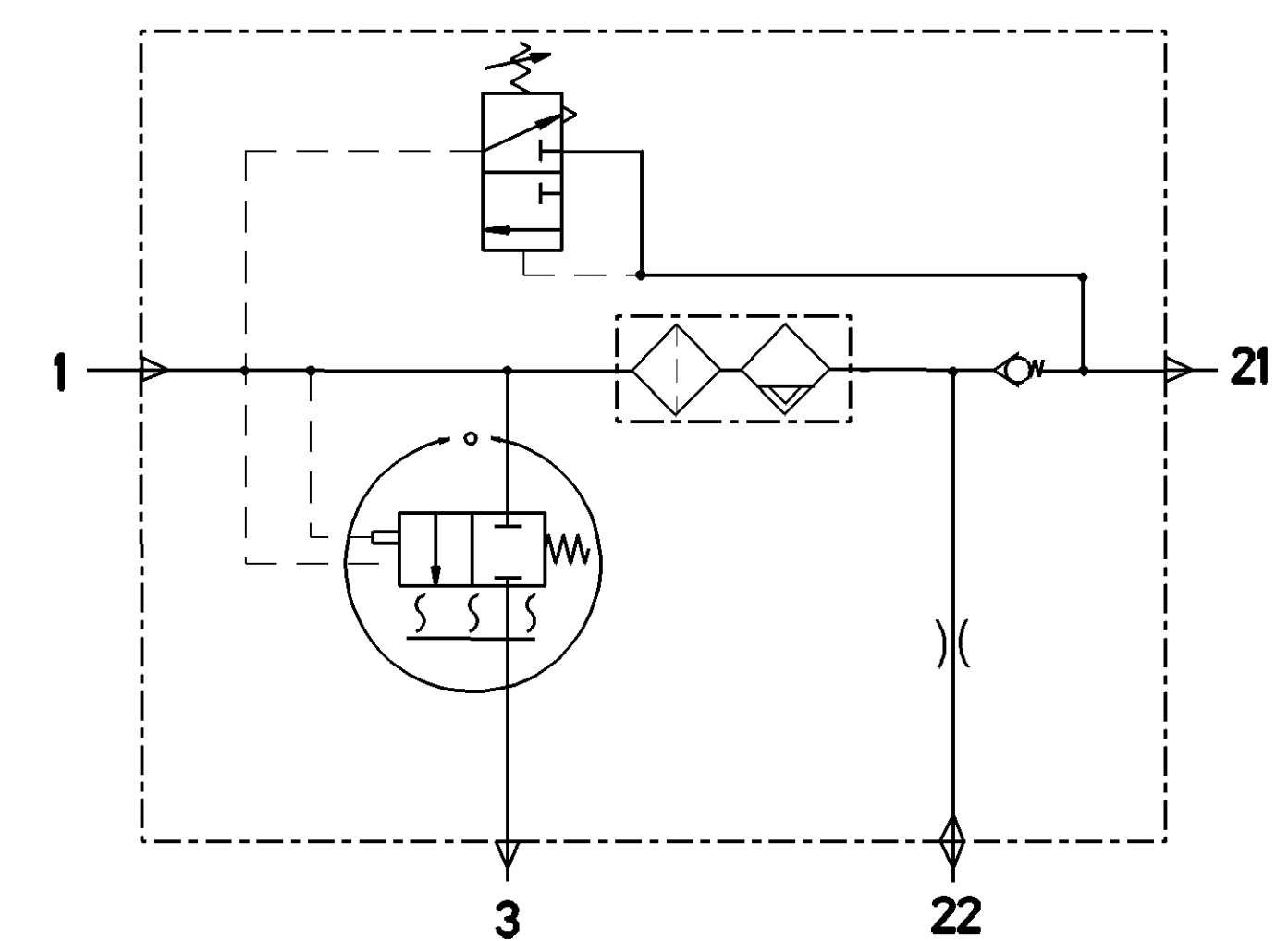
PLAGE DE REGULATION:
GAMME DI REGOLAZIONE:

HEATING:
HEIZUNG:
CHAUFFAGE:
RISCALDAMENTO: NOMINAL POWER:
NENNLEISTUNG:
PUISSANCE NOMINALE:
POTENZA NOMINALE: 100W

BATTERY VOLTAGE:
BATTERIESPANNUNG:
TENSION DE BATERIA:
TENSIONE DI BATERIA: 24.0 V DC

CUT IN TEMPERATURE:
EINSCHALT - TEMPERATUR:
TEMPERATURE DE FERMETURE:
TEMPERATURA DI CHIUSURA: 7 ±6 °C

CUT OUT TEMPERATURE:
AUSCHALT-TEMPERATUR:
TEMPERATURE DE MISE:
TEMPERATURA DI APERTURA: 29.5 ±3.0 °C



PORT ANSCHLUSS ORIFICE ORIFIZIO	FUNCTION FUNCTION FONCTION FUNZIONE	THREAD GEWINDE FILETAGE FILETTATURA
1	FROM THE COMPRESSOR VOM KOMPRESSOR PROVENANT DU COMPRESSEUR PROVENIENTE DEL COMPRESSORE	M22x1,5 d=15
21	TO THE RESERVOIRS ZU DEN LUFTBEAHALTERN AUX RESERVOIR AL SERBATOII PER	M22x1,5 d=16
22	TO RESERVOIR FOR REGENERATION AIR ZUM REGENERATIONS-LUFBEHALTER AU RESERVOIR D'AIR DE REGENERATION AL SERBATOII PER L'ARIA RIGENERATA	M12x1,5 d=12
3	EXHAUST FOR COMPRESSED AIR ENTLUEFTUNG FUER DRUCKLUFT ECHAUFFEMENT POUR AIR COMPRIE SCARIO PER ARIA COMPRESA	SILENCER 432 407 070 0
6	HEATING HEIZUNG CHAUFFAGE RISCALDAMENTO	M27x1

General Specifications: JED-554-1, Size ISO 14400-0	Copyright WABCO®	WABCO
Further Technical Data: Product Specification	Doc. Code: 020	Sheet: 1 To: 1
General Tolerances: JED-261	2018-02-06	2018-02-08
Range of Nominal Dimensions (L ± mm)	Class to: 1, 50, 180, 400, 400	Class to: 1, 50, 180, 400, 400
Fin	0.5, 1.0, 1.5, 2.0	0.5, 1.0, 1.5, 2.0
Medium	1.0, 2.0, 3.0, 4.0, ±3*	1.0, 2.0, 3.0, 4.0, ±3*
Coarse	2.0, 3.5, 5.0, 6.5	2.0, 3.5, 5.0, 6.5
Tapped Holes acc. JED-152	4.30	1:1
Tolerance class: JED-152	A 0	CREO
Part No.:	432 410 028 0	006 ML 1/1
Revision:	1	5050
Revised from:	432400000	