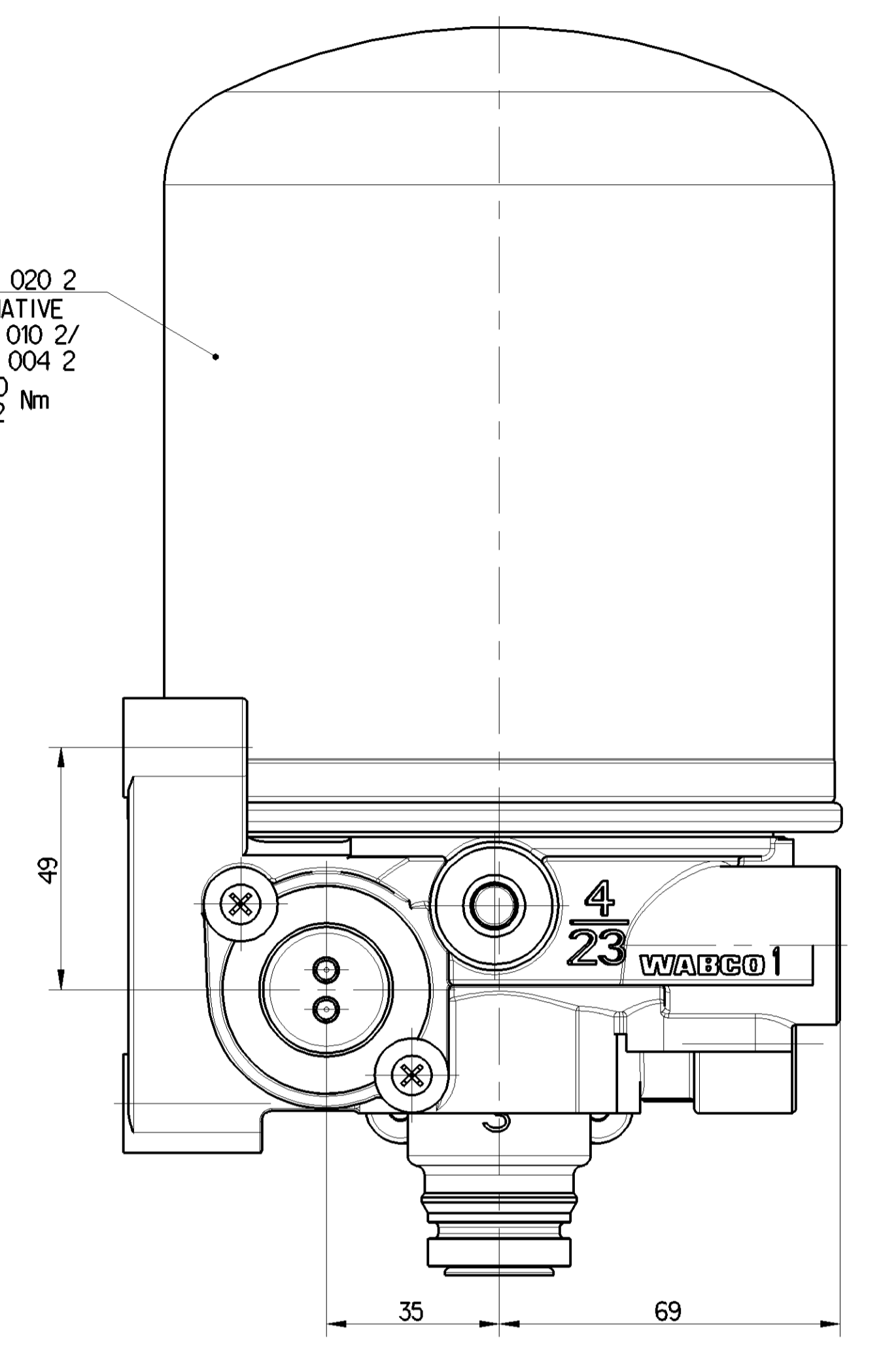
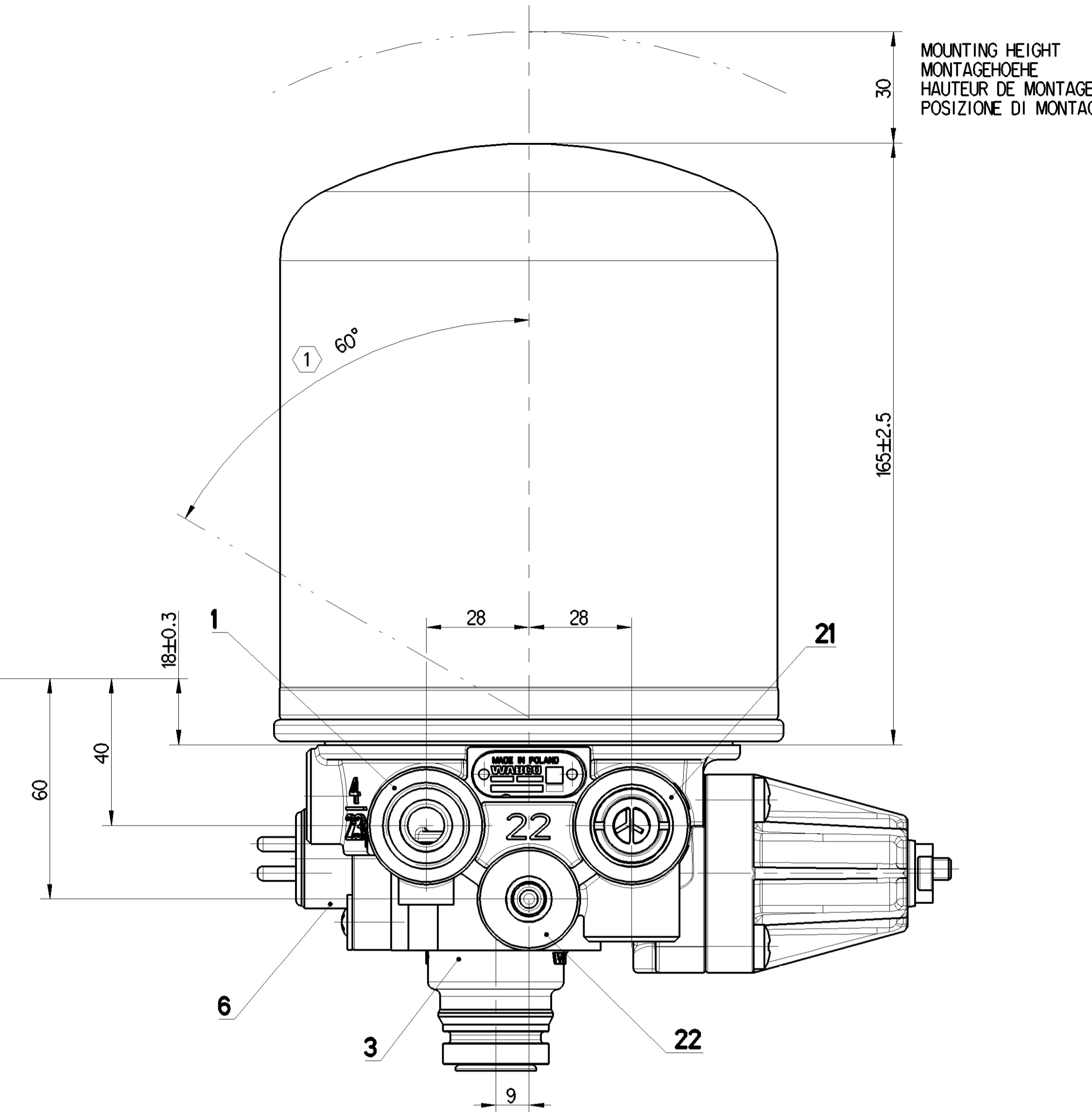
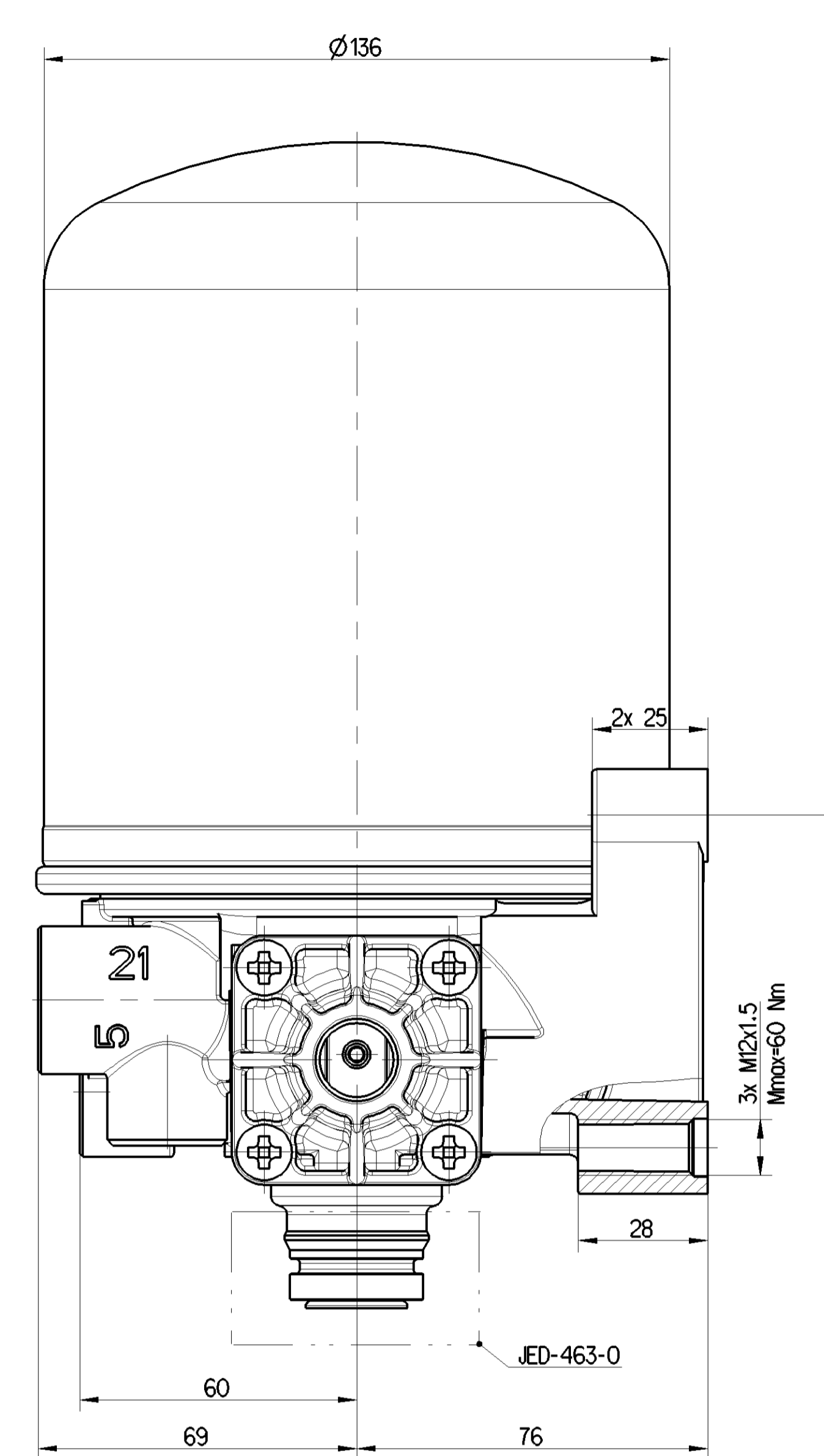
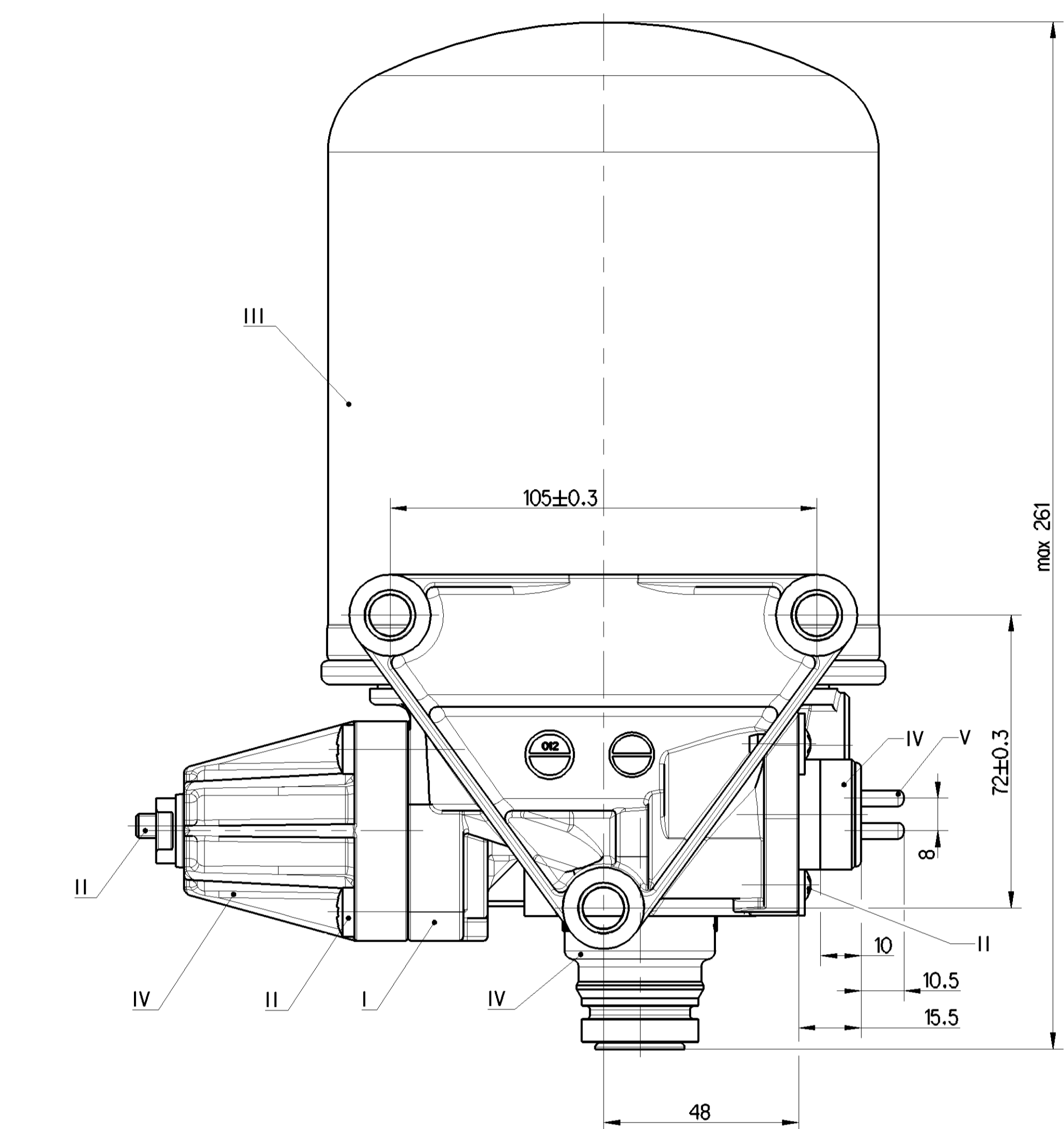
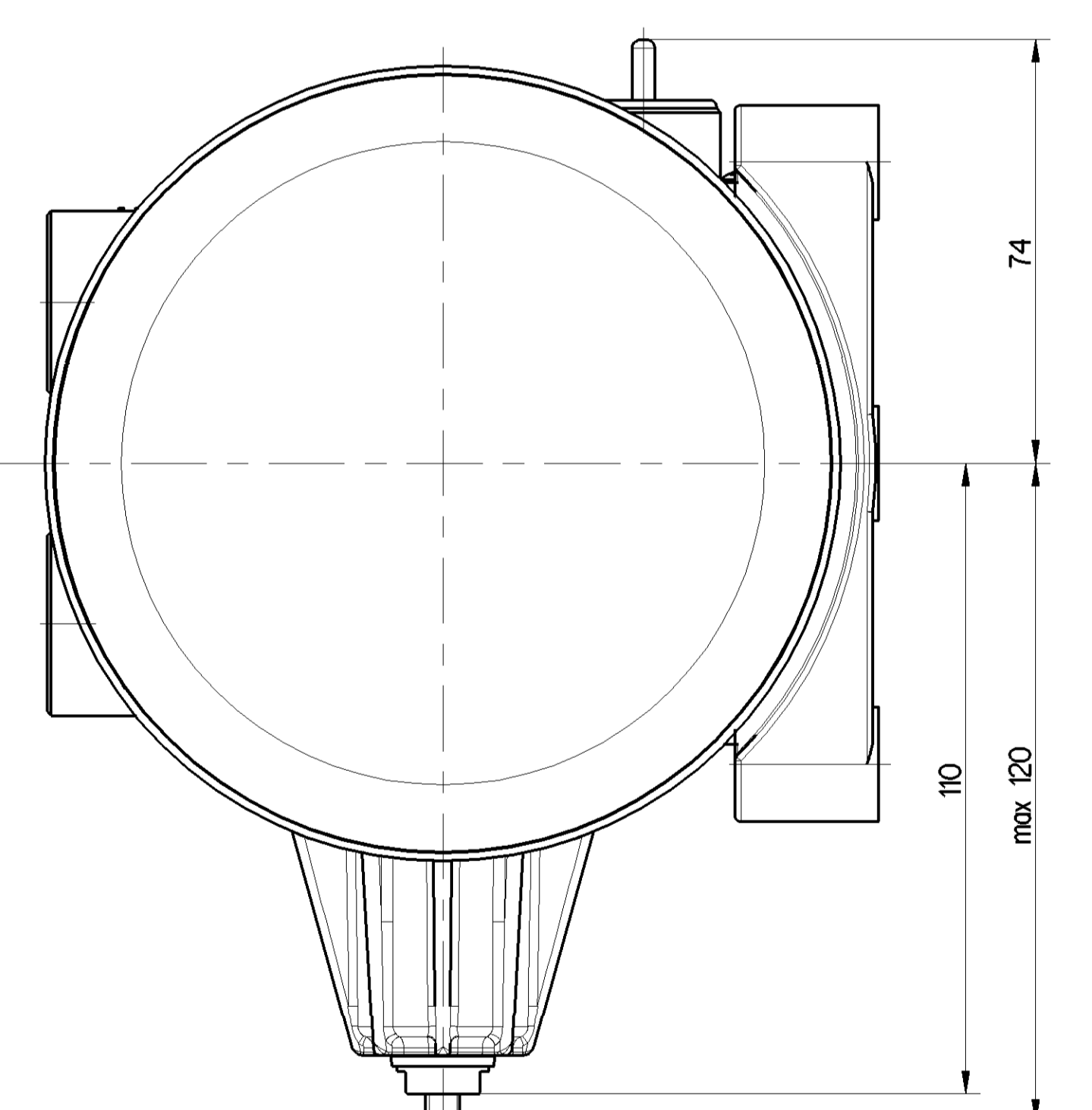


PART CODE	MATERIAL	SURFACE PROTECTION
I	ALUMINIUM ALLOY	CHROMATED
II	STEEL	PASSIVATED
III	STEEL	PAINTED
IV	PLASTIC	NO TREATMENT
V	BRASS	SILVER COATING



MOUNTING HEIGHT
MONTAGEHOEHE
HAUTEUR DE MONTAGE
POSIZIONE DI MONTAGGIO



TECHNICAL DATA, TECHNISCHE DATEN, CARACTERISTIQUES TECHNIQUES, CARATTERISTICHE TECNICHE

THERMAL RANGE OF CONTINUOUS APPLICATION:
THERMISCHER DAUERANWENDUNGSBEREICH:
PLAGE DE TEMPERATURE EN UTILISATION CONTINUE:
COMPO DI APPLICAZIONE CONTINUA:

-40°C... +65°C

RESISTANCE TO HEAT:
WAERMEBESTAENDIGKEIT:
RESISTANCE A LA CHALEUR:
RESISTANZA AL CALORE:

+80°C MAX.

MEDIUM:
MEDIUM:
FLUIDE:
FLUIDO:

COMPRESSED AIR
DRUCKLUFT
AIR COMPRESSE
ARIA COMPRESSA

WORKING PRESSURE:
BETRIEBSDRUCK:
PRESSION DE SERVICE:
PRESSIONE D' ESERCIZIO:

Pe MAX.=13 bar

MAX. PERMISSIBLE FREQUENCY:
MAX. ZULAESSIGE FREQUENZ:
MAX. ADMISSIBLE FREQUENZ:
MAX. AMMISSIBILE FREQUENZA:

50 Hz

MAX. PERMISSIBLE ACCELERATION:
MAX. ZULAESSIGE BESCHLEUNIGUNG:
ACCELERATION MAX. ADMISSIBILE:
ACCELERAZIONE MAX. AMMESSA:

±10 xg

DYNAMIC PRESSURE OF SAFETY VALVE:
STAUDRUCK DES SICHERHEITSENTENS:
PRESSION DYNAMIQUE DU SOUPEPE DE SECURITE:
PRESSIONE DINAMICA DELLA VALVOLA DI SICUREZZA:

10⁻⁴ bar (BY 9=100 dm³/min)

TORQUES FOR CONNECTIONS:
ANZUNGSNENENTMOMENT FÜR EINSCHRAUBSTUTZEN:
COUPLE DE SARRAGE DES RACCORDE:
COPPIA DI SERRAGGIO DEI RACCORDI:

M12x1.5: Mmax = 21 Nm
M22x1.5: Mmax = 53 Nm

① **INSTALLATION POSITION AS DRAWN**
EINBAUPLATZ WIE GEZEICHNET
POSITION D' INSTALLATION SUIVANT DESSIN
POSIZIONE DI MONTAGGIO COME DISEGNATO

COMBINED UNLOADER
DRUCKREGLER
REGULATEUR DE PRESSION
GRUPPO DI REGOLAZIONE

OUT OUT PRESSURE:
ABSCHALTDRUCK:
PRESSION D'OUVRETURE:
PRESSIONE D'APERTURA:

8.5±0.2 bar

PERMITTED SILENCER:
FREIGEBOEBNER GERAEUSCHDAEMFFER:
SILENCIEUX PERMISS:
SILENZIATORE AMMESSO:

432 407 012 0

OPERATING RANGE:
SCHALTSPANNE:
PLAGE DE REGULAZIONE:
GAMME DI REGOLAZIONE:

0.7^{+0.5}/₀ bar

HEATING:
HEIZUNG:
CHAUFFAGE:
RISCALDAMENTO:

NOMINAL POWER:
NENNLEISTUNG:
PUISSANCE NOMINALE:
POTENZA NOMINALE:

100W

BATTERY VOLTAGE:
BATTERIESPANNUNG:
TENSION DE BATERIA:
TENSIONE DI BATERIA:

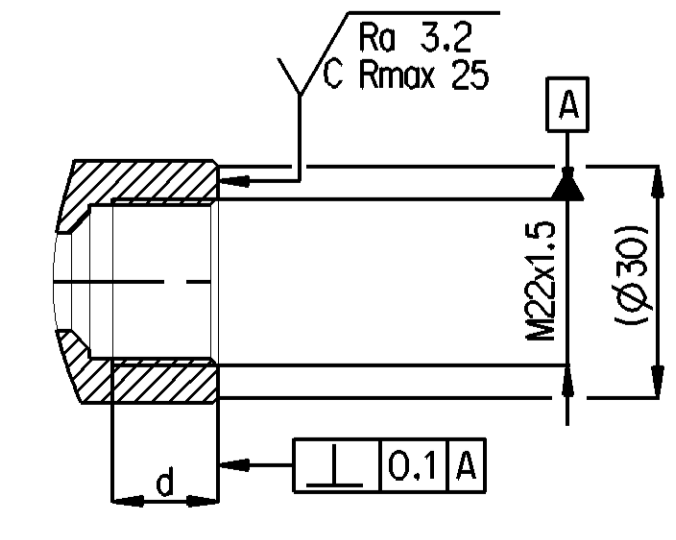
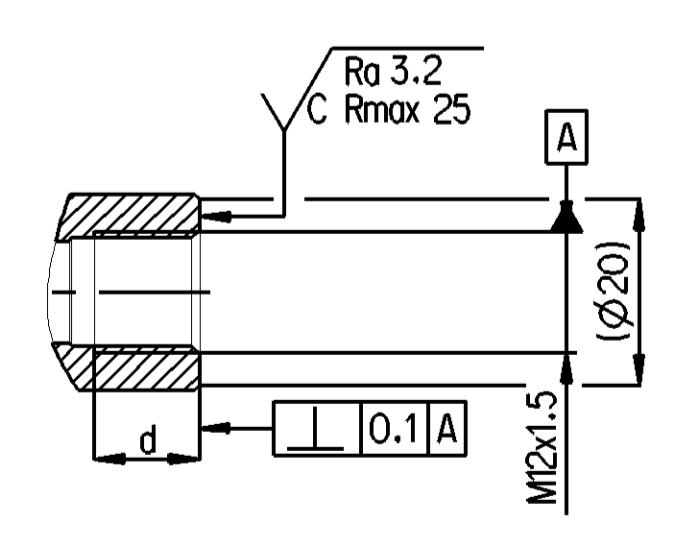
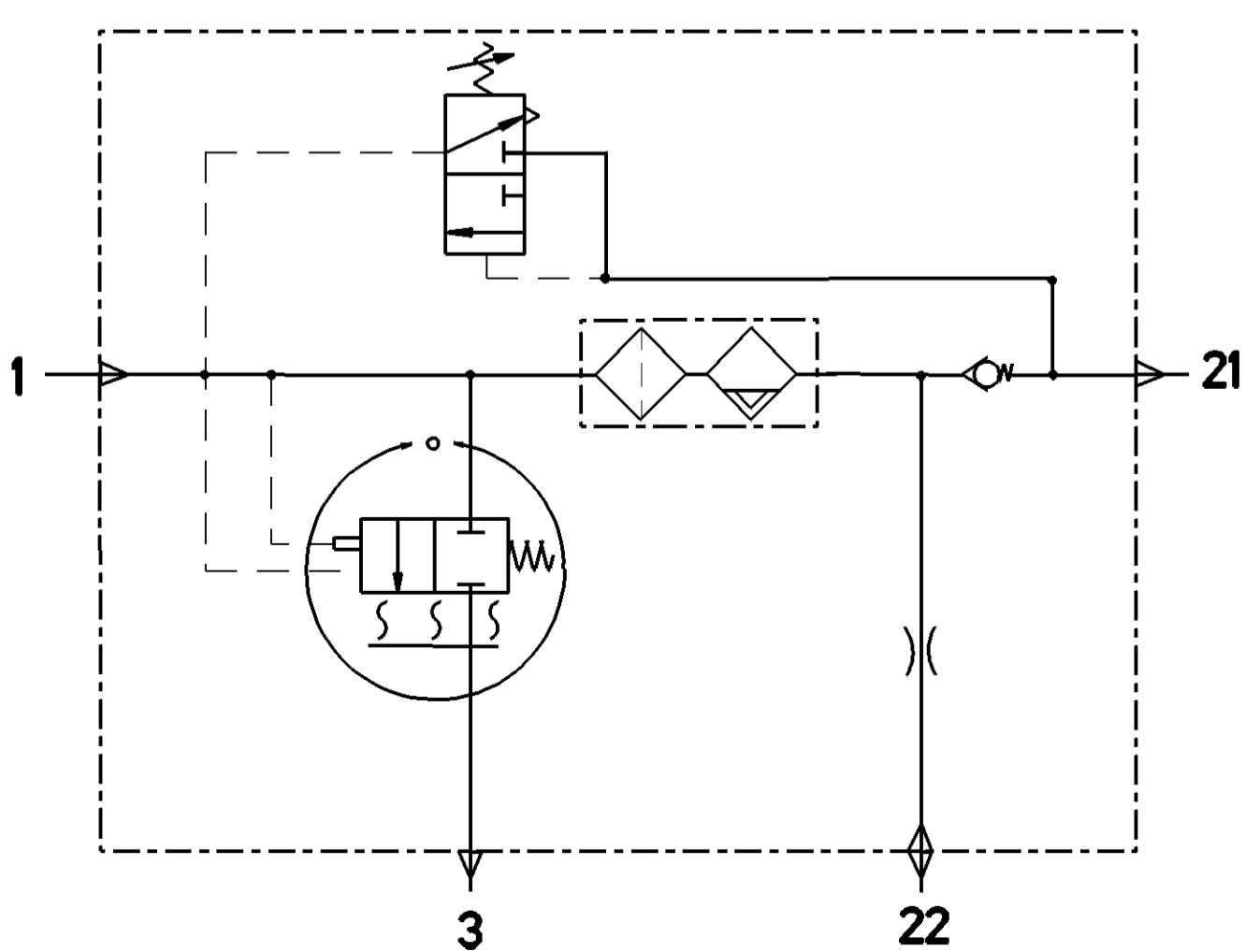
24.0 V DC

CUT IN TEMPERATURE:
EINSCHALT - TEMPERATUR:
TEMPERATURE DE FERMETURE:
TEMPERATURA DI CHIUSURA:

7 ±6 °C

CUT OUT TEMPERATURE:
AUSSCHALT-TEMPERATUR:
TEMPERATURE DE MISE:
TEMPERATURA DI APERTURA:

29.5 ±3.0 °C



PORT ANSCHLUSS ORIFICE ORIFIZIO	FUNCTION FUNCTION FONCTION FUNZIONE	THREAD GEWINDE FILETTAGE FILETTATURA
1	FROM THE COMPRESSOR VOM KOMPRESSOR PROVENANT DU COMPRESSEUR PROVENIENTE DEL COMPRESSORE	M22x1.5 d=15
21	TO THE RESERVOIRS ZU DEN LUFTRBEHAELTERN AUX RESERVOIR AL SERBATOII PER	M22x1.5 d=16
22	TO RESERVOIR FOR REGENERATION AIR ZUM REGENERATIONS-LUFTRBEHALTER AU RESERVOIR D'AIR DE REGENERATION AL SERBATOII PER L'ARIA RIGENERATA	M12x1.5 d=12
3	EXHAUST FOR COMPRESSED AIR ENTLUEFTUNG FÜR DRUCKLUFT ÉCHAPPEMENT POUR AIR COMPRIME SCARIO PER ARIA COMPRESA	-
6	HEATING HEIZUNG CHAUFFAGE RISCALDAMENTO	M27x1

General Specification ISO 8015, ISO 5514-1, ISO 14405 LP	Copyright ©	
Further Technical Data: Product Specification	Date	Sheet
Doc. Code: 020	2023-02-20	1 To 7
General Tolerances ISO 1101		2023-02-21
		Meng
		2023-02-21
Class	1:1	005
Material		ML
Scale		1/1
Company	432 410 041 0	005
Country	GER	1
Drawn		C
Checked		5050
Approved		

Vertical text on the left margin, likely a reference to a standard or drawing sheet information.