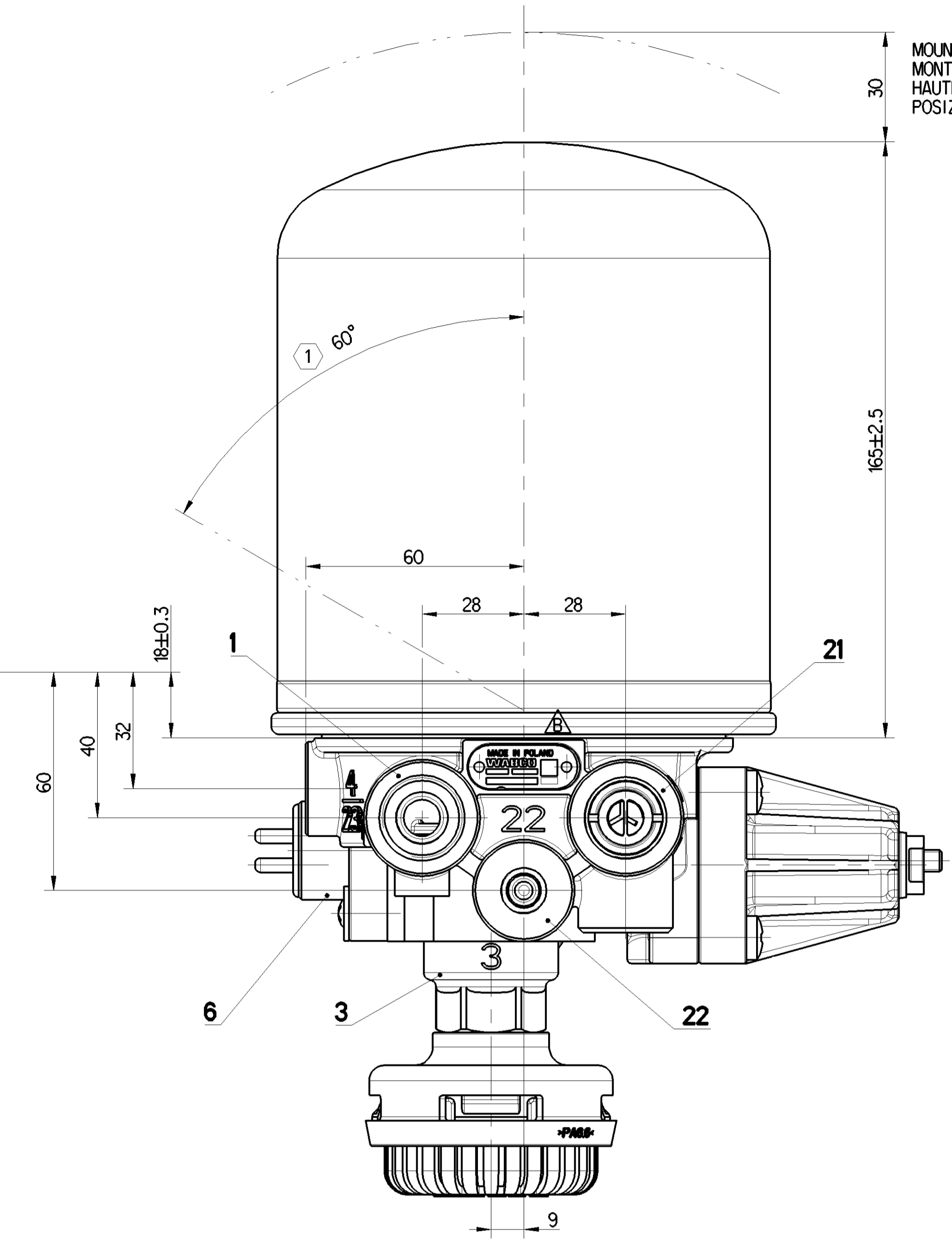
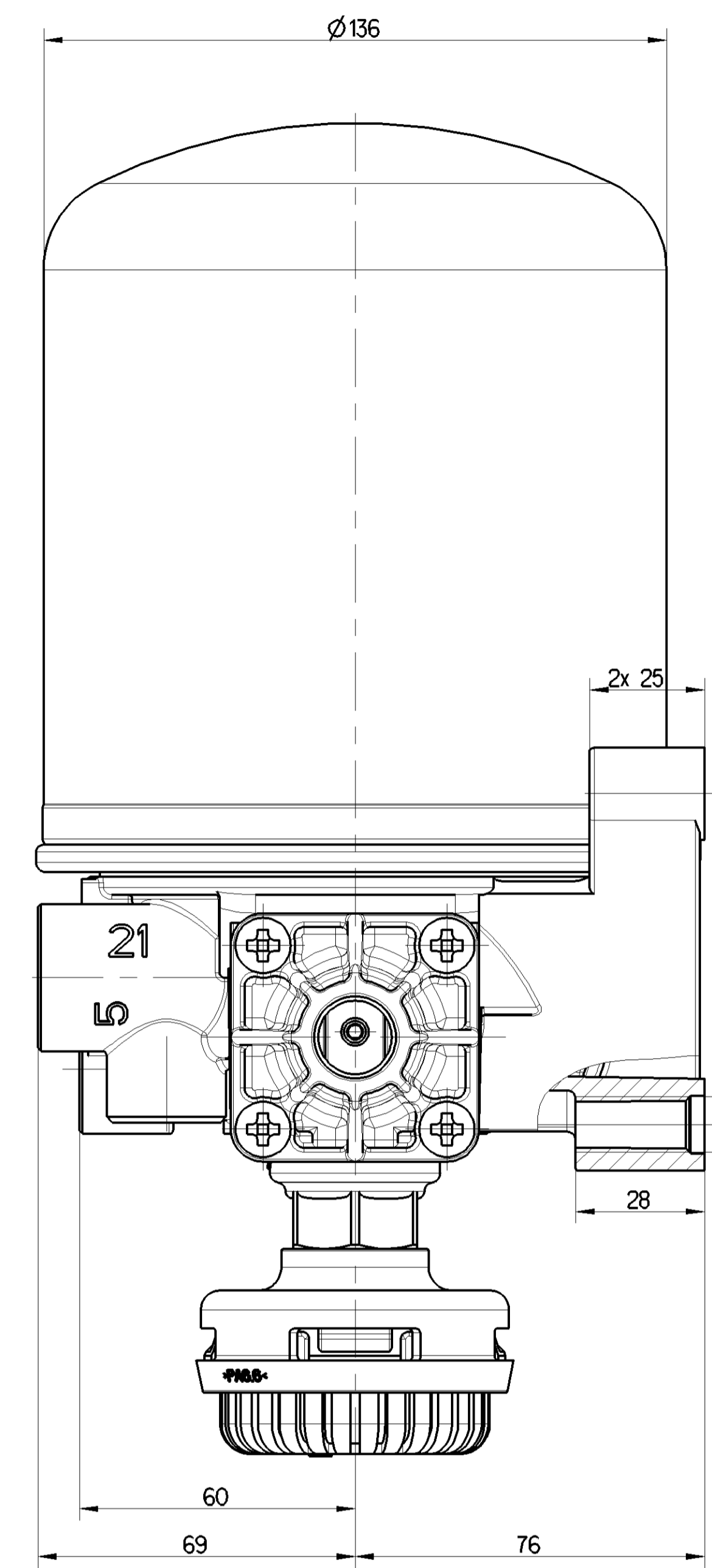
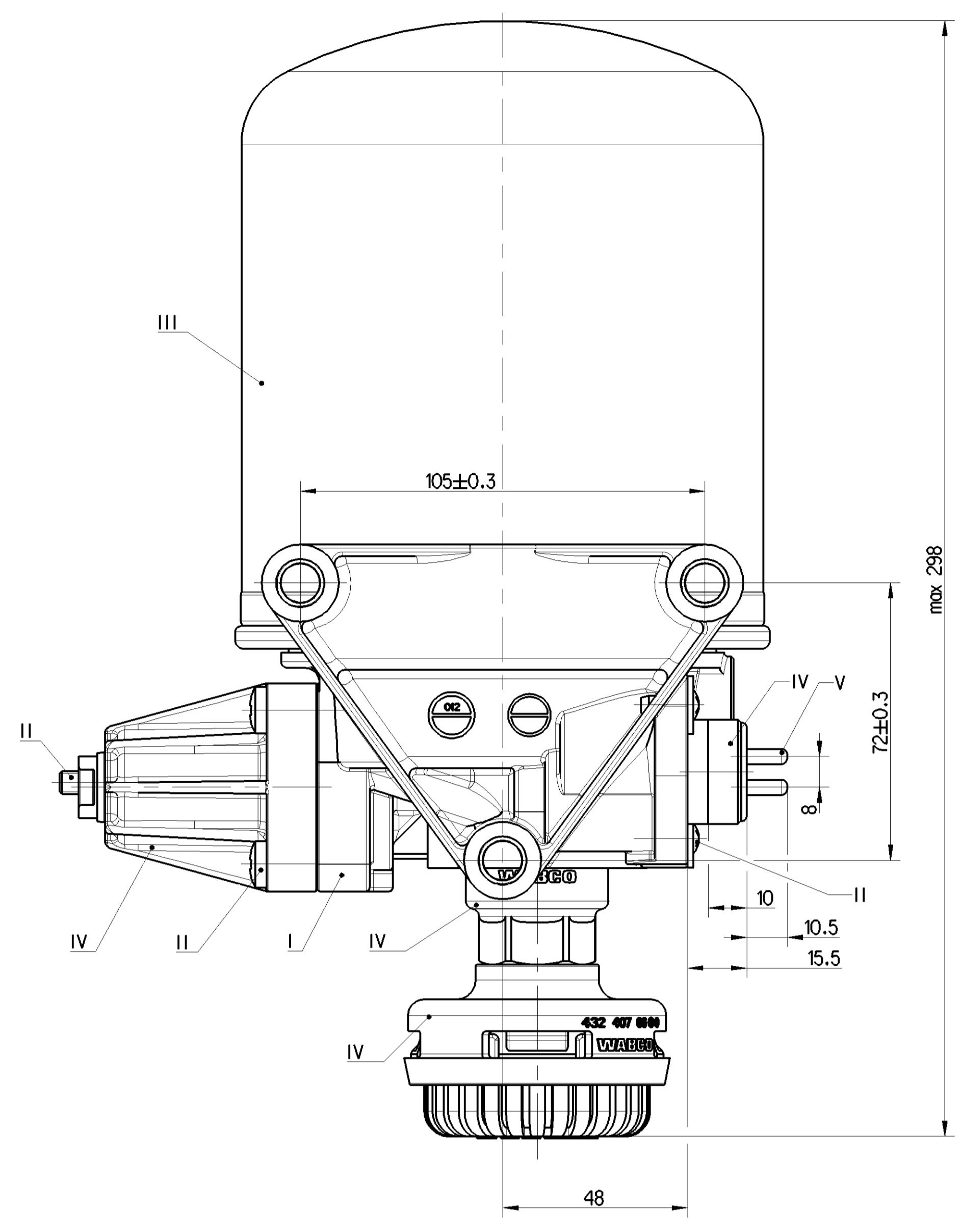
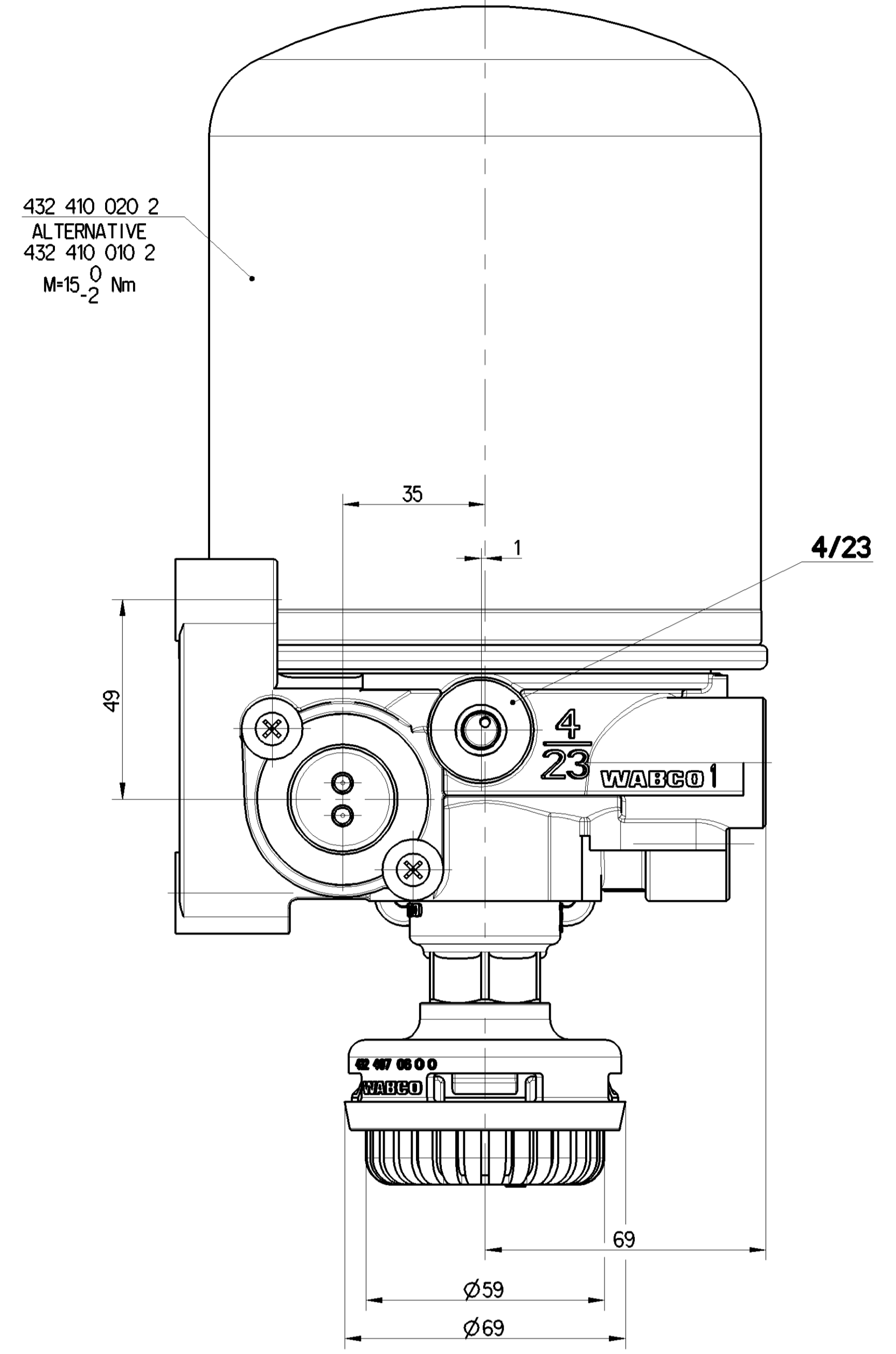


PART CODE	MATERIAL	SURFACE PROTECTION
I	ALUMINIUM ALLOY	CHROMATED
II	STEEL	PASSIVATED
III	STEEL	PAINTED
IV	PLASTIC	NO TREATMENT
V	BRASS	SILVER COATING



MOUNTING HEIGHT  
MONTAGEHOEHE  
HAUTEUR DE MONTAGE  
POSIZIONE DI MONTAGGIO



432 410 020 2  
ALTERNATIVE  
432 410 010 2  
M=15  
2 Nm

TECHNICAL DATA, TECHNISCHE DATEN, CARACTERISTIQUES TECHNIQUES, CARATTERISTICHE TECNICHE

**THERMAL RANGE OF CONTINUOUS APPLICATION:**  
THERMISCHER DAUERANWENDUNGSBEREICH: -40°C... +65°C  
PLAGE DE TEMPERATURE EN UTILISATION CONTINUE: -40°C... +65°C  
COMPO DI APPLICAZIONE CONTINUA: -40°C... +65°C

**RESISTANCE TO HEAT:**  
WAERMEBESTAENDIGKEIT: +80°C MAX.  
RESISTANCE A LA CHALEUR: +80°C MAX.  
RESISTANZA AL CALORE: +80°C MAX.

**MEDIUM:**  
MEDIUM: COMPRESSED AIR  
FLUIDE: AIR COMPRIE  
FLUIDO: ARIA COMPRESSA

**WORKING PRESSURE:**  
BETRIEBSDRUCK: Pe MAX. +13 bar  
PRESSION DE SERVICE: +13 bar  
PRESSIONE D'ESERCIZIO: +13 bar

**MAX. PERMISSIBLE FREQUENCY:**  
MAX. ZULAESSIGE FREQUENZ: 50 Hz  
MAX. ADMISSIBLE FREQUENCE: 50 Hz  
MAX. AMMISSIBILE FREQUENZA: 50 Hz

**MAX. PERMISSIBLE ACCELERATION:**  
MAX. ZULAESSIGE BESCHLEUNIGUNG: ±10 xg  
ACCELERATION MAX. ADMISSIBLE: ±10 xg  
ACCELERAZIONE MAX. AMMISSA: ±10 xg

**DYNAMIC PRESSURE OF SAFETY VALVE:**  
STAUERDRUCK DES SICHERHEITSVENTILES: 12<sup>+4</sup><sub>0</sub> bar (BY  $\dot{V}$  = 100 dm<sup>3</sup>/min)  
PRESSION DYNAMIQUE DU SOUPAPE DE SECURITE: 12<sup>+4</sup><sub>0</sub> bar (BY  $\dot{V}$  = 100 dm<sup>3</sup>/min)  
PRESSIONE DINAMICA DELLA VALVOLA DI SICUREZZA: 12<sup>+4</sup><sub>0</sub> bar (BY  $\dot{V}$  = 100 dm<sup>3</sup>/min)

**TORQUES FOR CONNECTIONS:**  
ANZUGSMOMENT FÜR EINSCHRAUBSTUTZEN: M12x1.5: Mmax = 21 Nm  
COUPLE DE SERRAGE DES RACCORDS: M22x1.5: Mmax = 53 Nm  
COPPIA DI SERRAGGIO DEI RACCORDI: M12x1.5: Mmax = 21 Nm  
M22x1.5: Mmax = 53 Nm

**1 INSTALLATION POSITION AS DRAWN**  
EINBALLAGE WIE GEZEICHNET  
POSITION D'INSTALLATION SUIVANT DESSIN  
POSIZIONE DI MONTAGGIO COME DISEGNATO

**COMBINED UNLOADER**  
DRUCKREGLER  
REGULATEUR DE PRESSION  
GRUPPO DI REGOLAZIONE

**CUT OUT PRESSURE:**  
ABSCHALTDRUCK: 9.8±0.2 bar  
PRESSION D'OUVERTURE: 9.8±0.2 bar  
PRESSIONE D'APERATURA: 9.8±0.2 bar

**OPERATING RANGE:**  
SCHALTSPANNE: 0.6<sup>+0.6</sup><sub>0</sub> bar  
PLAGE DE REGULATION: 0.6<sup>+0.6</sup><sub>0</sub> bar  
GAMME DI REGOLAZIONE: 0.6<sup>+0.6</sup><sub>0</sub> bar

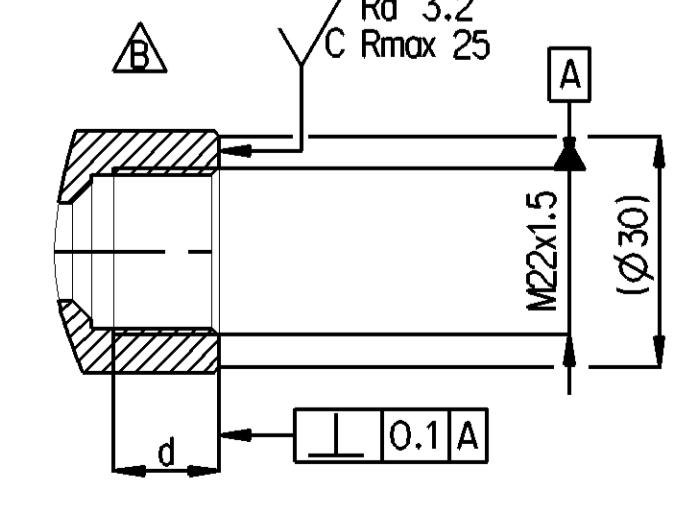
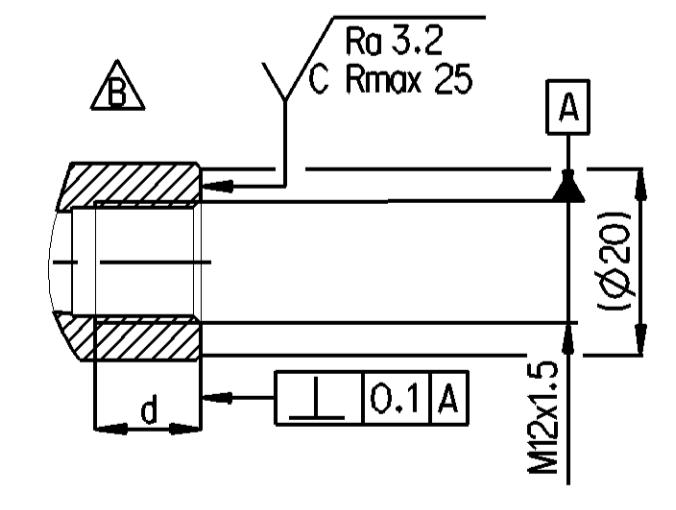
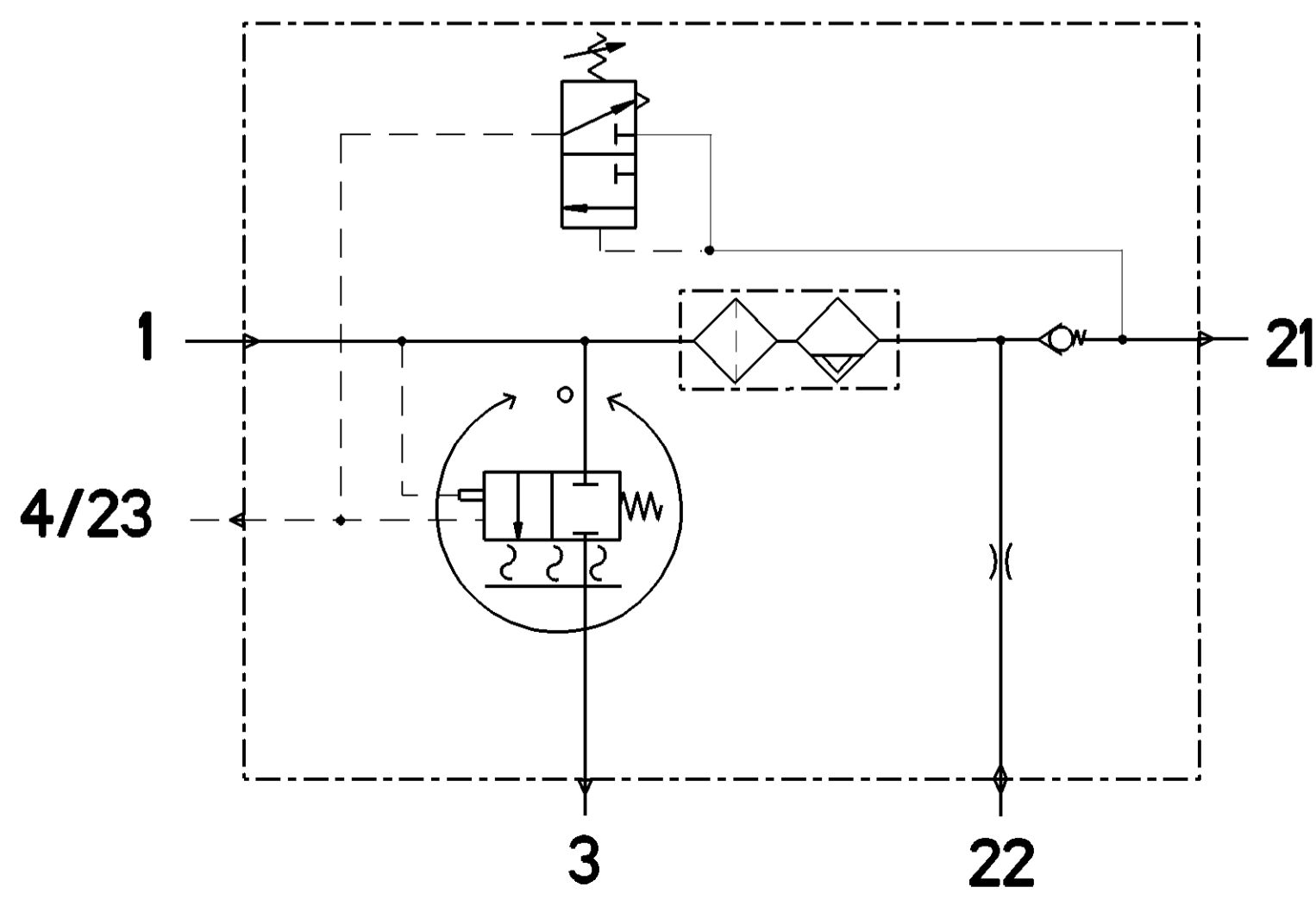
**HEATING:**  
HEIZUNG:  
CHAUFFAGE:  
RISCALDAMENTO:

**NOMINAL POWER:**  
NENNLEISTUNG: 100W  
PUISSANCE NOMINALE: 100W  
POTENZA NOMINALE: 100W

**BATTERY VOLTAGE:**  
BATTERIESPANNUNG: 24.0 V DC  
TENSION DE BATERIA: 24.0 V DC  
TENSIONE DI BATERIA: 24.0 V DC

**CUT IN TEMPERATURE:**  
EINSCHALT - TEMPERATUR: 7 ±6 °C  
TEMPERATURE DE FERMETURE: 7 ±6 °C  
TEMPERATURA DI CHIUSURA: 7 ±6 °C

**CUT OUT TEMPERATURE:**  
AUSSCHALT-TEMPERATUR: 29.5 ±3.0 °C  
TEMPERATURE DE MISE: 29.5 ±3.0 °C  
TEMPERATURA DI APERTURA: 29.5 ±3.0 °C



PORT ANSCHLUSS ORIFIZIO	FUNCTION FUNCTION FONCTION FUNZIONE	THREAD GEWINDE FILETTATURA
1	FROM THE COMPRESSOR VOM LUFTPRESSER PROVENANT DU COMPRESSEUR PROVENIENTE DEL COMPRESSORE	M22x1.5 d=15
21	TO THE RESERVOIRS ZU DEN LUFTBEHALTERN AUX RESERVOIR AL SERBATOII PER	M22x1.5 d=16
22	TO THE RESERVOIRS FOR REGENERATED AIR ZUM REGENERATIONS-LUFTBEHALTER AUX RESERVOIRS D'AIR REGENERE AL SERBATOII PER L'ARIA RIGENERATA	M12x1.5 d=12
3	EXHAUST FOR COMPRESSED AIR ENTLUEFTUNG FÜR DRUCKLUFT ECHAPPEMENT POUR AIR COMPRIE SCARIO PER ARIA COMPRESSA	SILENCER 432 407 060 0
4/23	CONTROL PORT / TO COMPRESSOR STEUERANSCHLUSS / ZUM COMPRESSEUR ORIFICE DE COMMANDE / AU COMPRESSEUR ORIFIZIO DI COMANDO / A COMPRESORE	M12x1.5 d=12
6	HEATER HEIZUNG CHAUFFAGE RISCALDAMENTO	M27x1

General Specification: ISO 8015, A5-334-1, Size ISO 14405 LP	Copyright WABCO	<b>WABCO</b>
Further Technical Data: Product Specification	Date: 2022-06-29	AIR DRYER
Doc. Code: 020	Sheet: 1 To 4	LUFTTROCKNER
General Tolerances: ISO 2011	2022-09-06	DESSICATEUR D'AIR
Range of nominal dimensions in mm	30 x 154 x 232	ESSICCATORE D'ARIA
Class: 11 ± 50 ± 80 ± 100 ± 180 ± 400	Dimension in mm	
Finish: X ±0.05 ±0.1 ±0.15 ±0.2 ±0.3	Material No.	
Coarse: ±0.2 ±0.5 ±0.5 ±0.5 ±0.5	4.35	432 410 080 0
Tapped Holes acc. JED-TSC	Scale: 1:1	005 ML 1/1
Tolerance class: Special (Predefined)	Scale: A 0	432 410 080 0
	Scale: 4 x B	5050
	Scale: 5050	REMOVED FROM 432400800