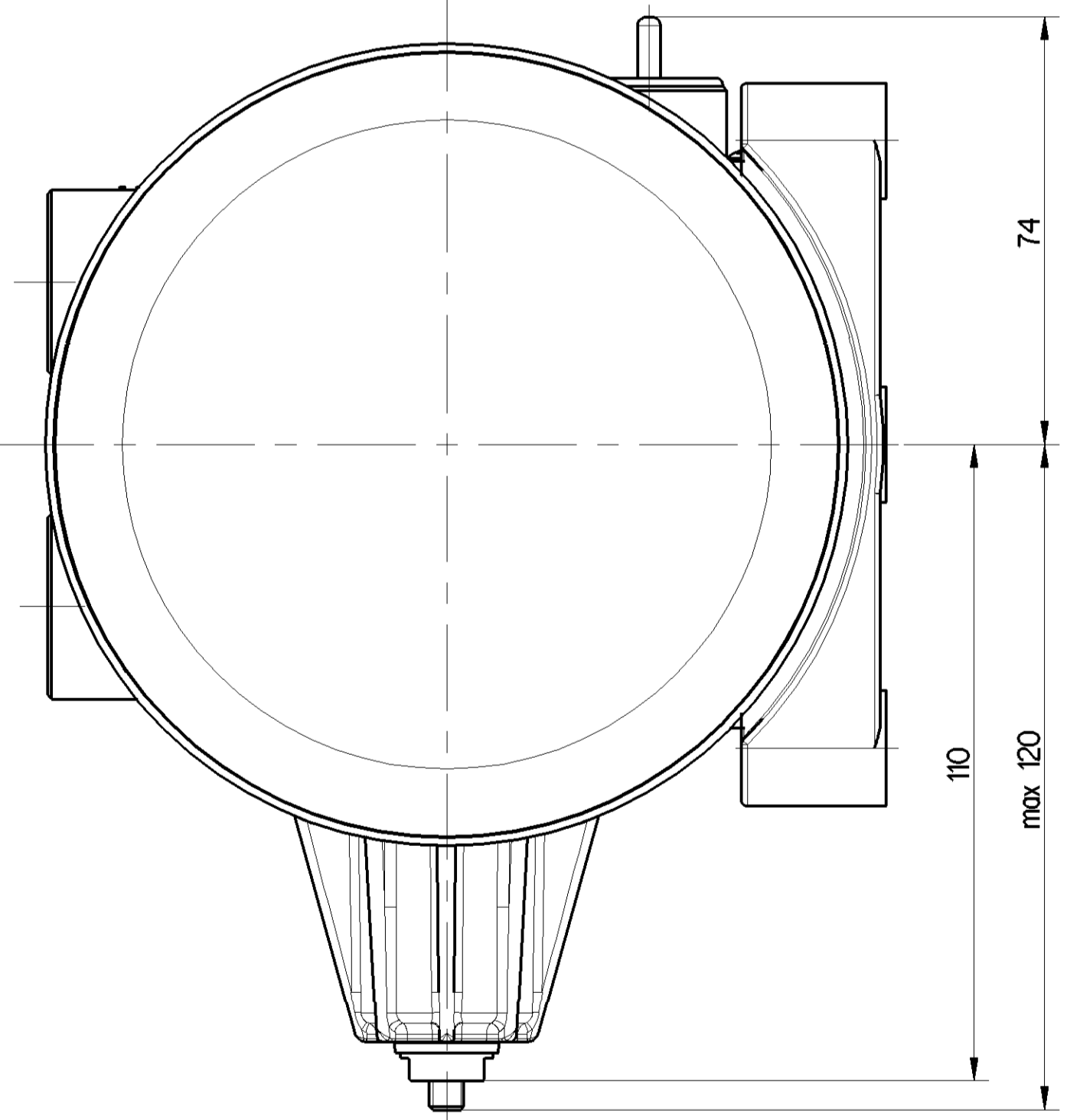
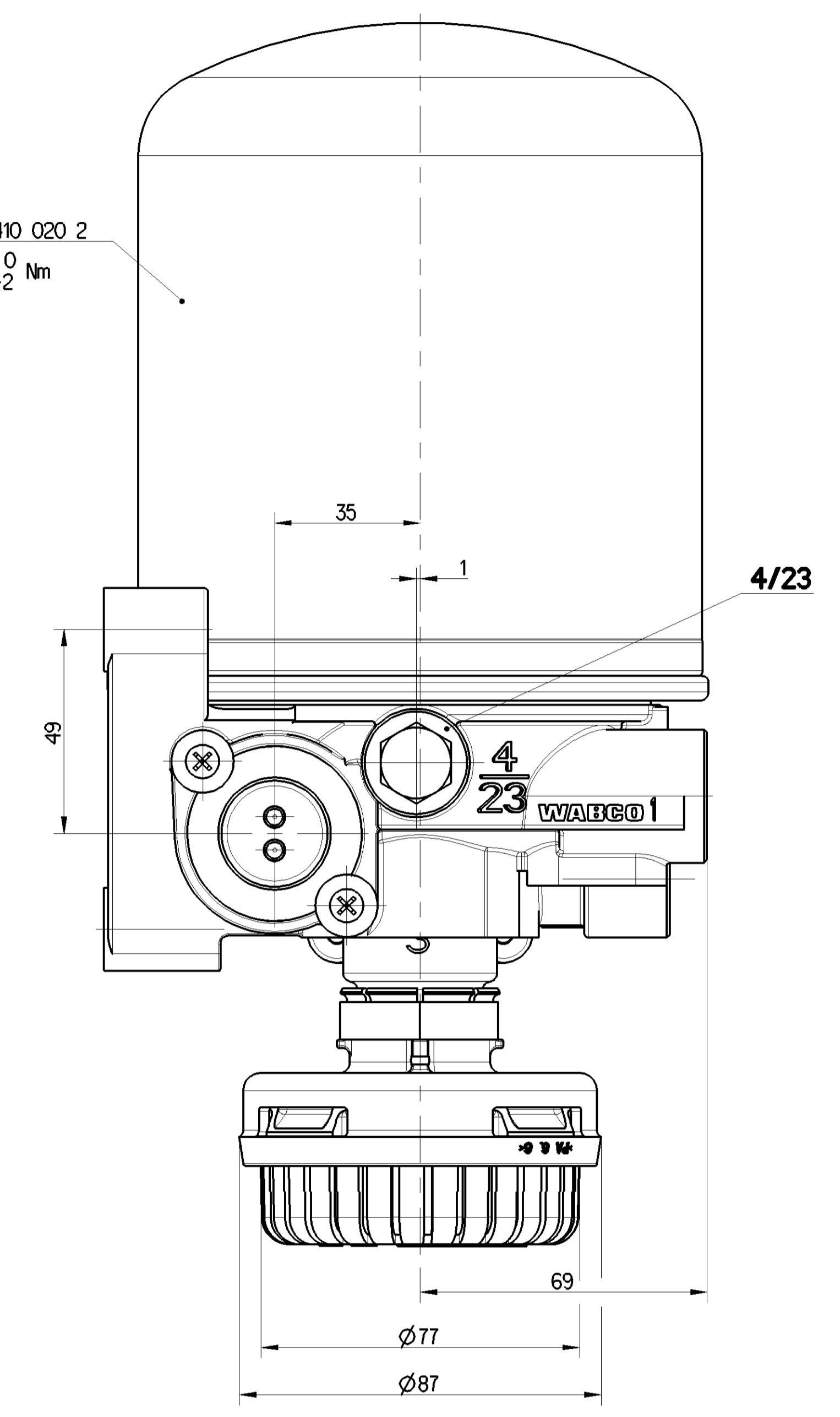
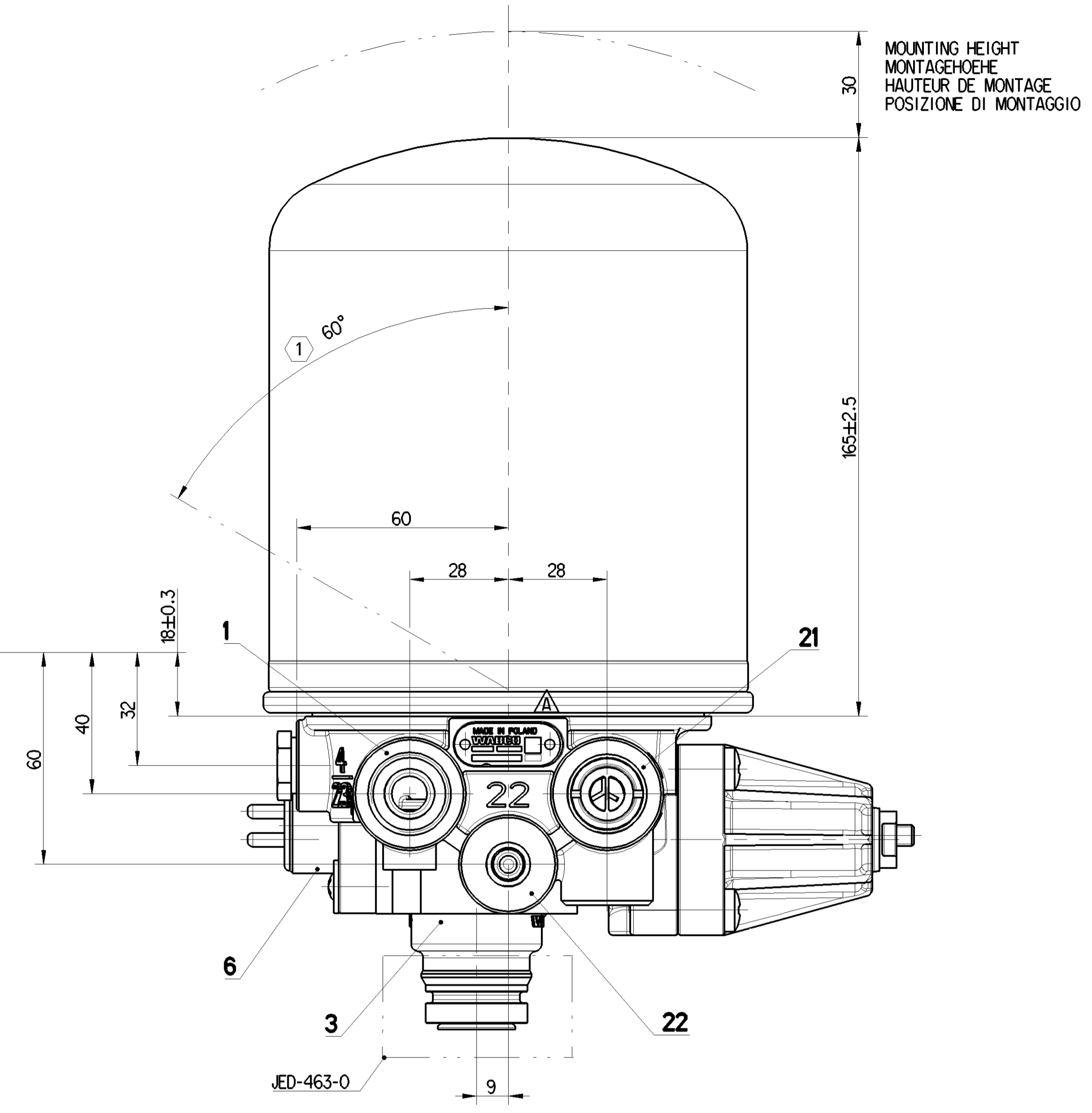
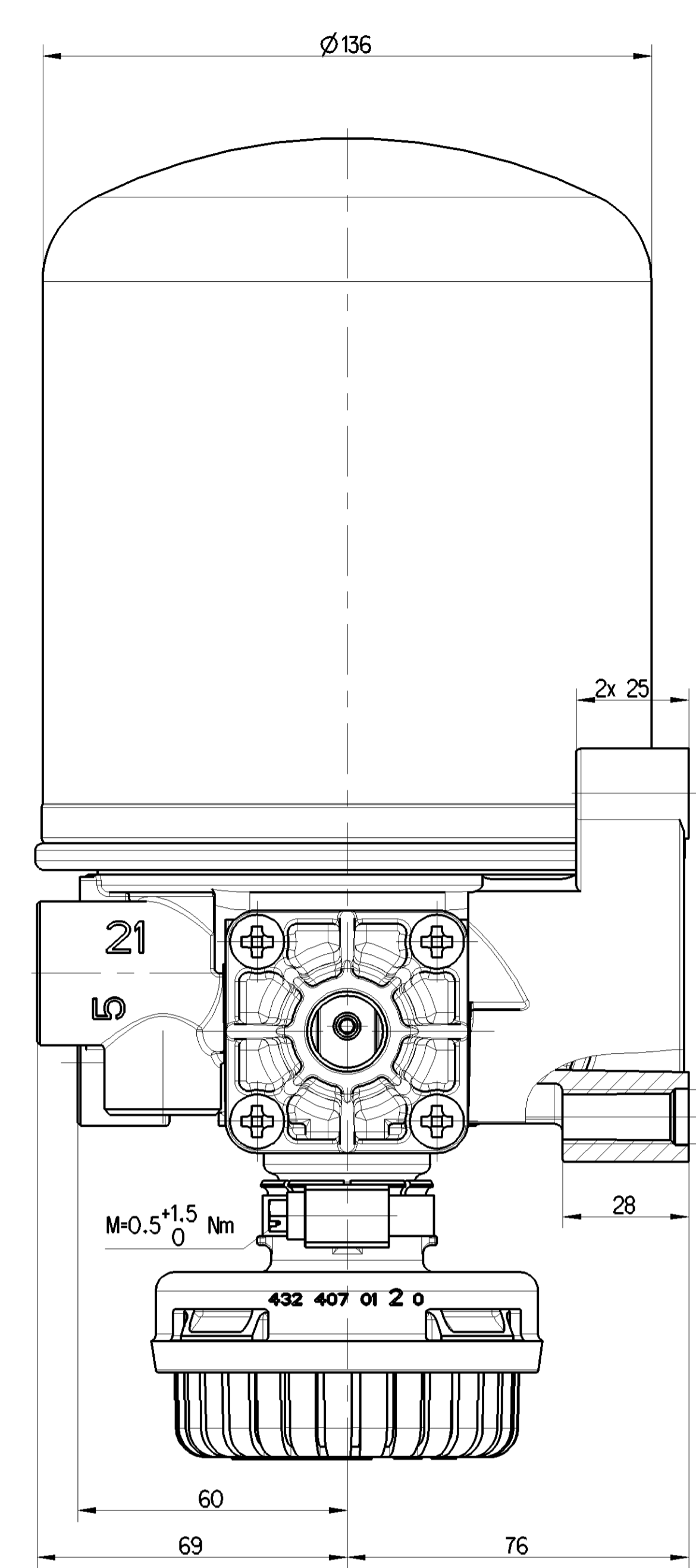
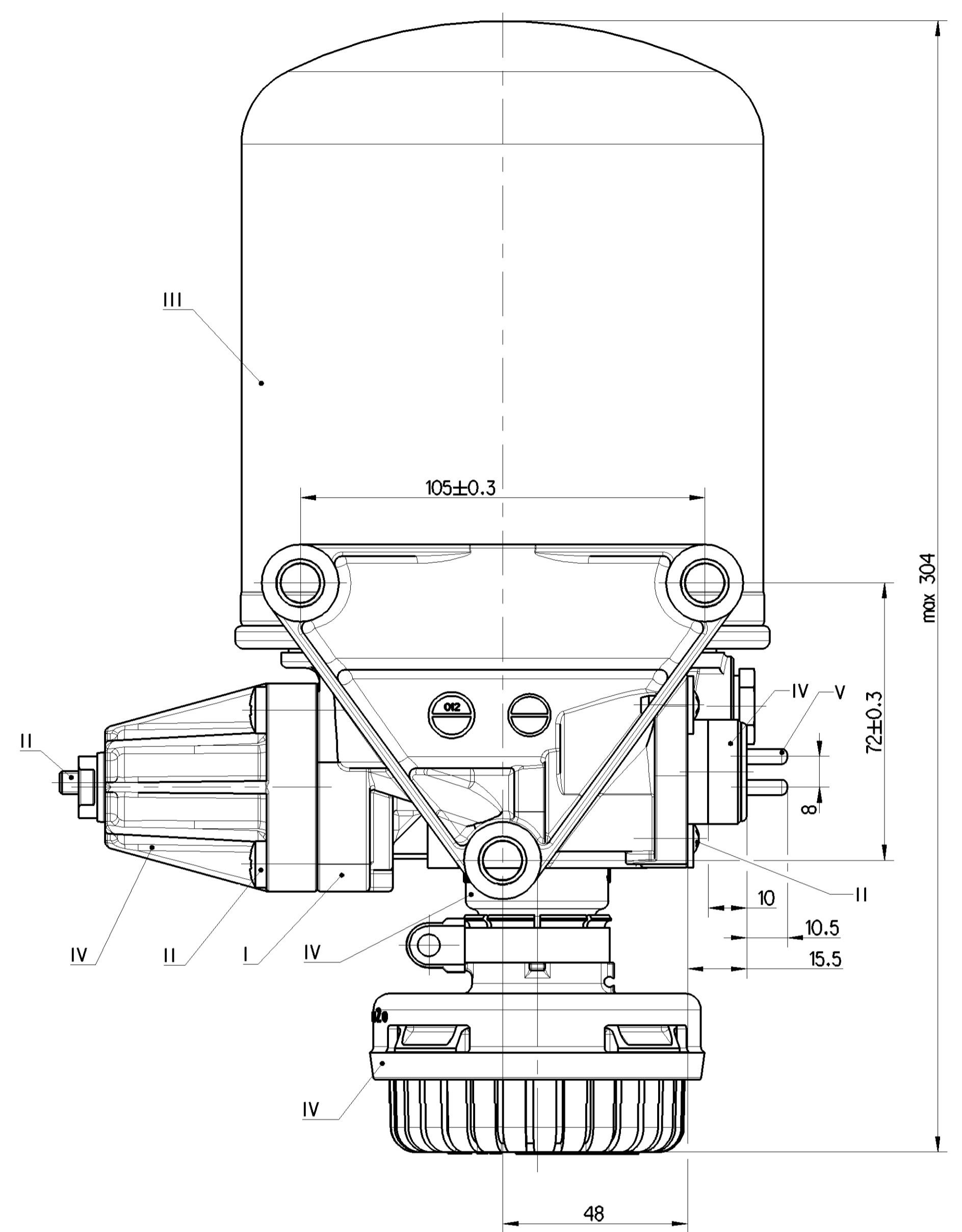


PART CODE	MATERIAL	SURFACE PROTECTION
I	ALUMINIUM ALLOY	CHROMATED
II	STEEL	PASSIVATED
III	STEEL	PAINTED
IV	PLASTIC	NO TREATMENT
V	BRASS	SILVER COATING



**TECHNICAL DATA, TECHNISCHE DATEN, CARACTERISTIQUES TECHNIQUES, CARATTERISTICHE TECNICHE**

**THERMAL RANGE OF CONTINUOUS APPLICATION:**  
 THERMISCHER DAUERANWENDUNGSBEREICH:  
 PLAGE DE TEMPERATURE EN UTILISATION CONTINUE:  
 COMPO DI APPLICAZIONE CONTINUA: -40°C... +65°C

**RESISTANCE TO HEAT:**  
 WAERMEBESTAENDIGKEIT:  
 RESISTANCE A LA CHALEUR:  
 RESISTANZA AL CALORE: +80°C MAX.

**MEDIUM:**  
 MEDIUM:  
 FLUIDE:  
 FLUIDO: COMPRESSED AIR  
 DRUCKLUFT  
 AIR COMPRIME  
 ARIA COMPRESSA

**WORKING PRESSURE:**  
 BETRIEBSDRUCK:  
 PRESSION DE SERVICE:  
 PRESSIONE D' ESERCIZIO: Pe MAX. -13 bar

**MAX. PERMISSIBLE FREQUENCY:**  
 MAX. ZULAESSIGE FREQUENZ:  
 MAX. ADMISSIBLE FREQUENCE:  
 MAX. AMMISSIBILE FREQUENZA: 50 Hz

**MAX. PERMISSIBLE ACCELERATION:**  
 MAX. ZULAESSIGE BESCHLEUNIGUNG:  
 ACCELERATION MAX. ADMISSIBLE:  
 ACCELERAZIONE MAX. AMMISSA: ±10 xg

**DYNAMIC PRESSURE OF SAFETY VALVE:**  
 STAUDRUCK DES SICHERHEITSVENTILES:  
 PRESSION DYNAMIQUE DU SOUPEPE DE SECURITE:  
 PRESSIONE DINAMICA DELLA VALVOLA DI SICUREZZA: 10<sup>-4</sup> bar (BY Vn=100 dm<sup>3</sup>/min)

**TORQUES FOR CONNECTIONS:**  
 ANZUGSMOMENT FÜR EINSCHRAUBSTUTZEN:  
 COUPLE DE SERRAGE DES RACCORDS:  
 COPPIA DI SERRAGGIO DEI RACCORDI: M12x1.5: Mmax = 21 Nm  
 M22x1.5: Mmax = 53 Nm

**INSTALLATION POSITION AS DRAWN**  
 EINBALLAGE WIE GEZEICHNET  
 POSITION D' INSTALLATION SUIVANT DESSIN  
 POSIZIONE DI MONTAGGIO COME DISEGNATO

**COMBINED UNLOADER**  
 DRUCKREGLER  
 REGULATORE DE PRESSION  
 GRUPPO DI REGOLAZIONE

**OUT OUT PRESSURE:**  
 ABSCHALTDRUCK:  
 PRESSION D'OUVERTURE:  
 PRESSIONE D' APERTURA: 8.1±0.2 bar

**OPERATING RANGE:**  
 SCHALTSPANNE:  
 PLAGE DE REGULATION:  
 GAMME DI REGOLAZIONE: 0.6<sup>+0.4</sup><sub>0</sub> bar

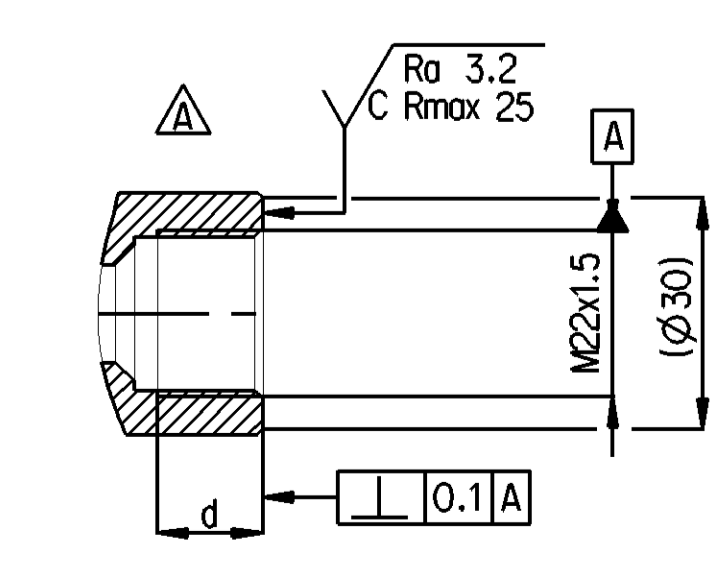
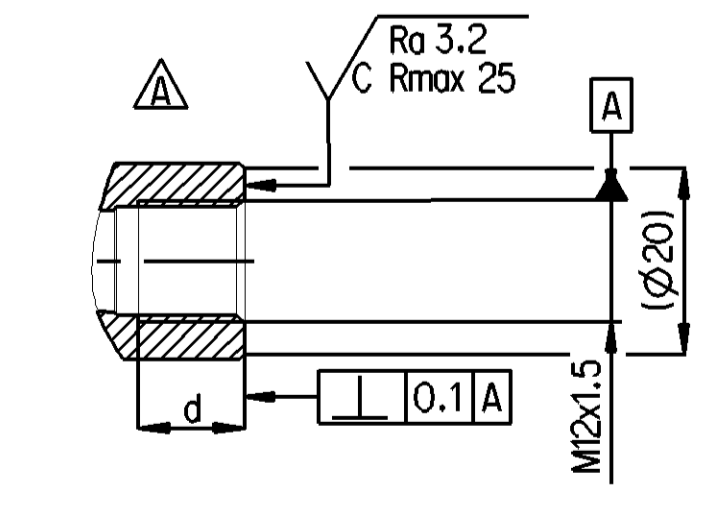
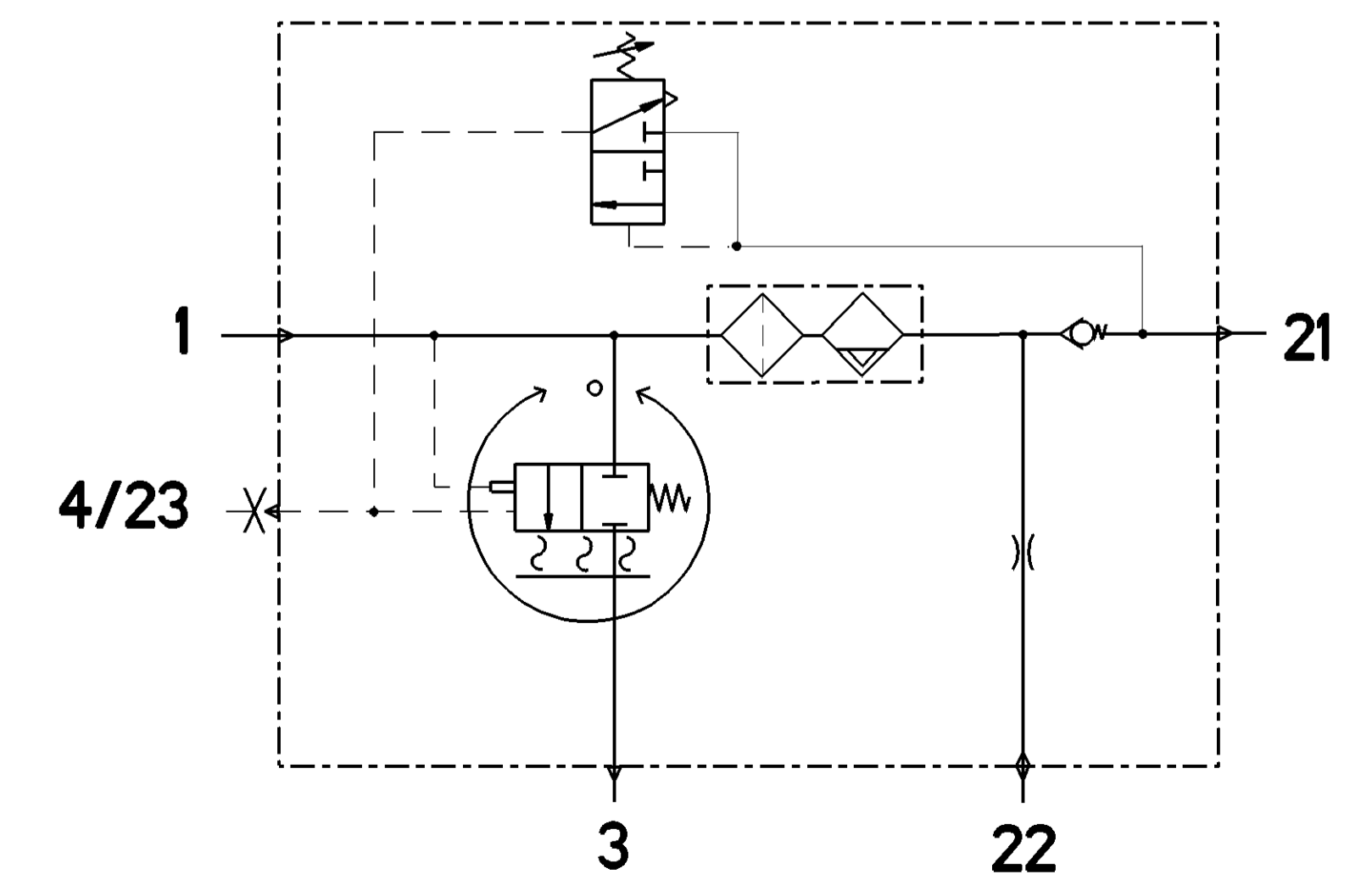
**HEATING:**  
 HEIZUNG:  
 CHAUFFAGE:  
 RISCALDAMENTO:

**NOMINAL POWER:**  
 NENNLEISTUNG:  
 PUISSANCE NOMINALE:  
 POTENZA NOMINALE: 100W

**BATTERY VOLTAGE:**  
 BATTERIESPANNUNG:  
 TENSION DE BATERIA:  
 TENSIONE DI BATERIA: 24.0 V DC

**CUT IN TEMPERATURE:**  
 EINSCHALT - TEMPERATUR:  
 TEMPERATURE DE FERMETURE:  
 TEMPERATURA DI CHIUSURA: 7 ±6 °C

**CUT OUT TEMPERATURE:**  
 AUSSCHALT-TEMPERATUR:  
 TEMPERATURE DE MISE:  
 TEMPERATURA DI APERTURA: 29.5 ±3.0 °C



PORT ANSCHLUSS ORIFIZIO	FUNCTION FUNCTION FONCTION FUNZIONE	THREAD GEWINDE FILETTATURA
1	FROM THE COMPRESSOR VOM LUFTPRESSER PROVENANT DU COMPRESSEUR PROVENIENTE DEL COMPRESSORE	M22x1.5 d=15
21	TO THE RESERVOIRS ZU DEN LUFTBEHAELTERN AUX RESERVOIR AL SERBATOI PER	M22x1.5 d=16
22	TO THE RESERVOIRS FOR REGENERATED AIR ZUM REGENERATIONS-LUFTBEHALTER AUX RESERVOIRS D' AIR REGENERE AL SERBATOI PER L' ARIA RIGENERATA	M12x1.5 d=12
3	EXHAUST FOR COMPRESSED AIR ENTLUFTUNG FÜR DRUCKLUFT ECHAPPEMENT POUR AIR COMPRI SCARIO PER ARIA COMPRESSA	SILENCER 432 407 012 0
4/23	CONTROL PORT / TO COMPRESSOR STEUERANSCHLUSS / ZUM KOMPRESSOR ORIFICE DE COMMANDE / AU COMPRESSEUR ORIFIZIO DI COMANDO / A COMPRESORE	- CLOSED - VERSCHLOSSEN - FERME - CHIUSO M12x1.5 d=12
6	HEATER HEIZUNG CHAUFFAGE RISCALDAMENTO	M27x1

General Specification: ISO 8015, ED-534-1, Size ISO 14405 LP

Further Technical Data: Product Specification

Doc. Code: 0262

2022-06-29

2022-09-09

Class: 11

Material: 432 410 104 0

Scale: 1:1

Sheet: 4 of 4

WABCO AIR DRYER LUFTTROCKNER DESSICATEUR D' AIR

005 ML 1/1

432 410 104 0

005 ML 1/1

432 410 104 0

005 ML 1/1