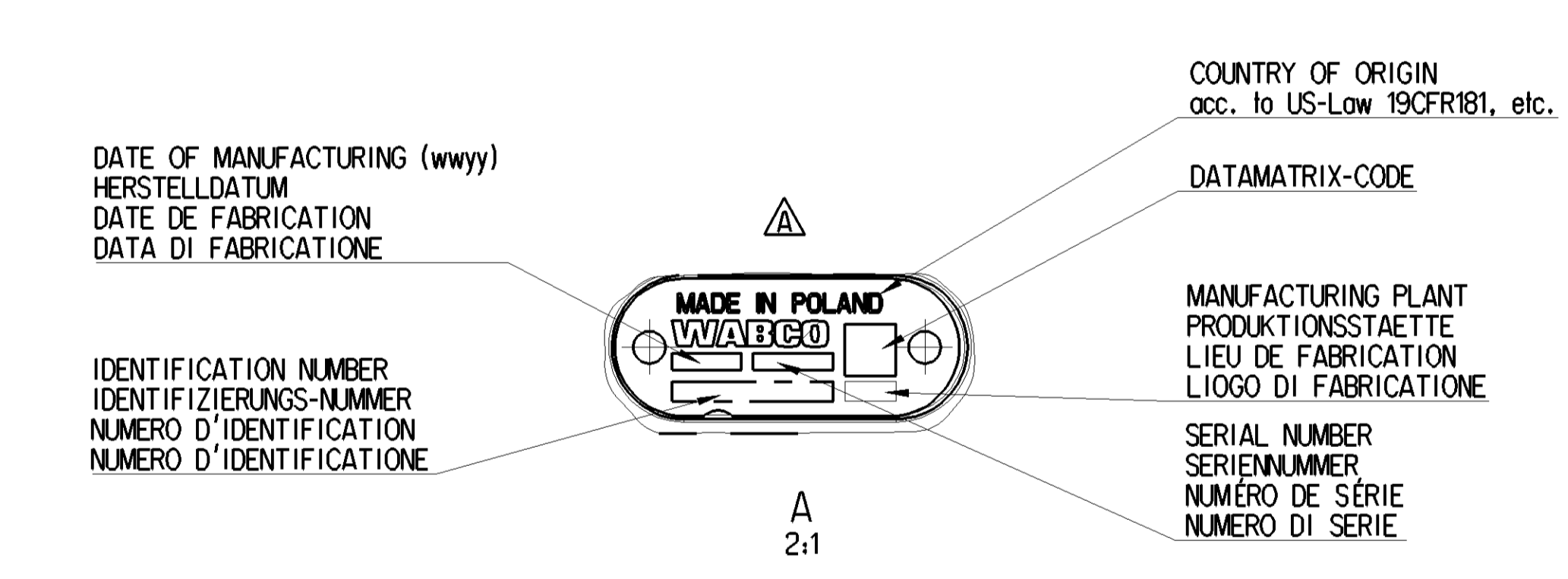
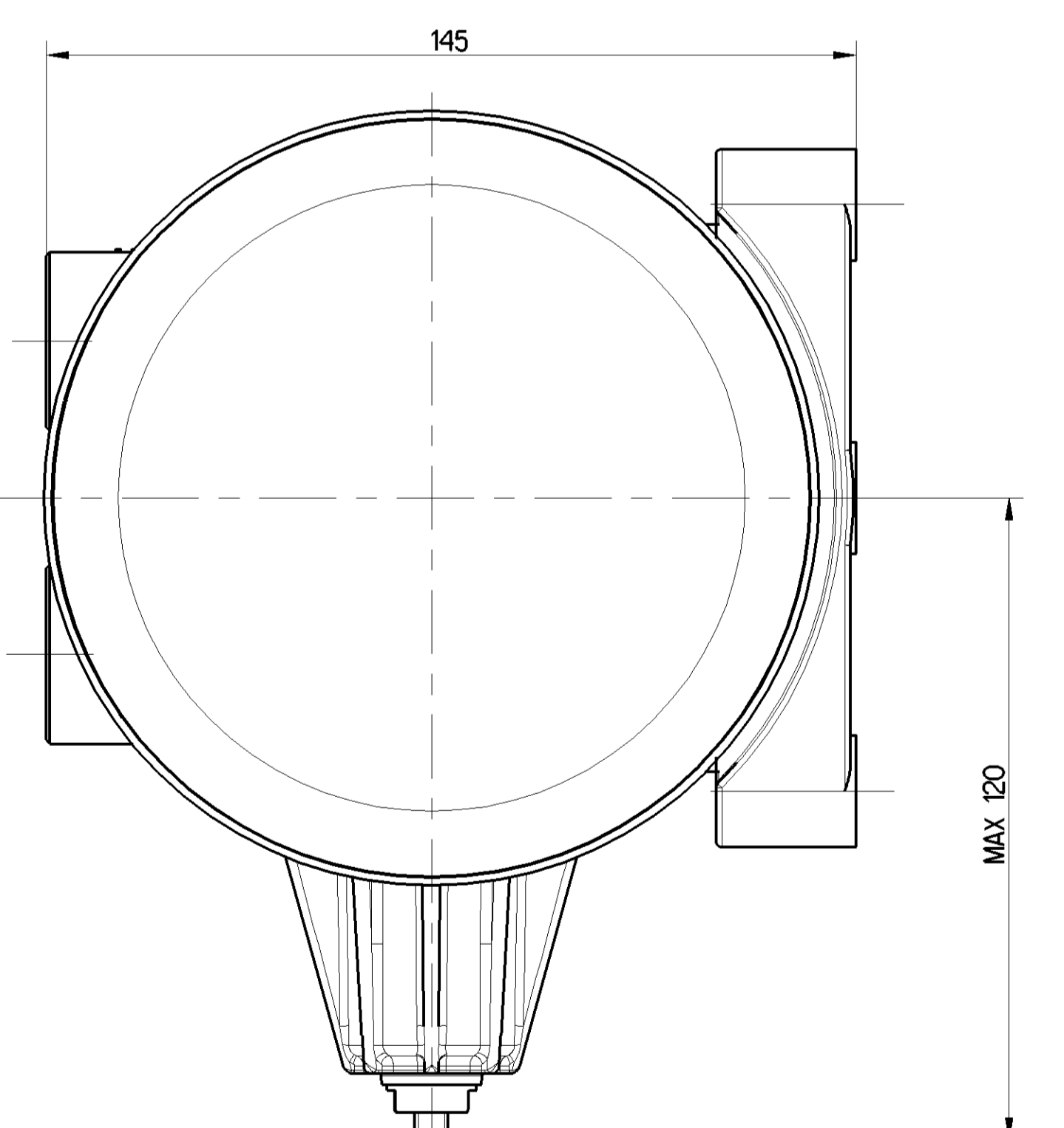
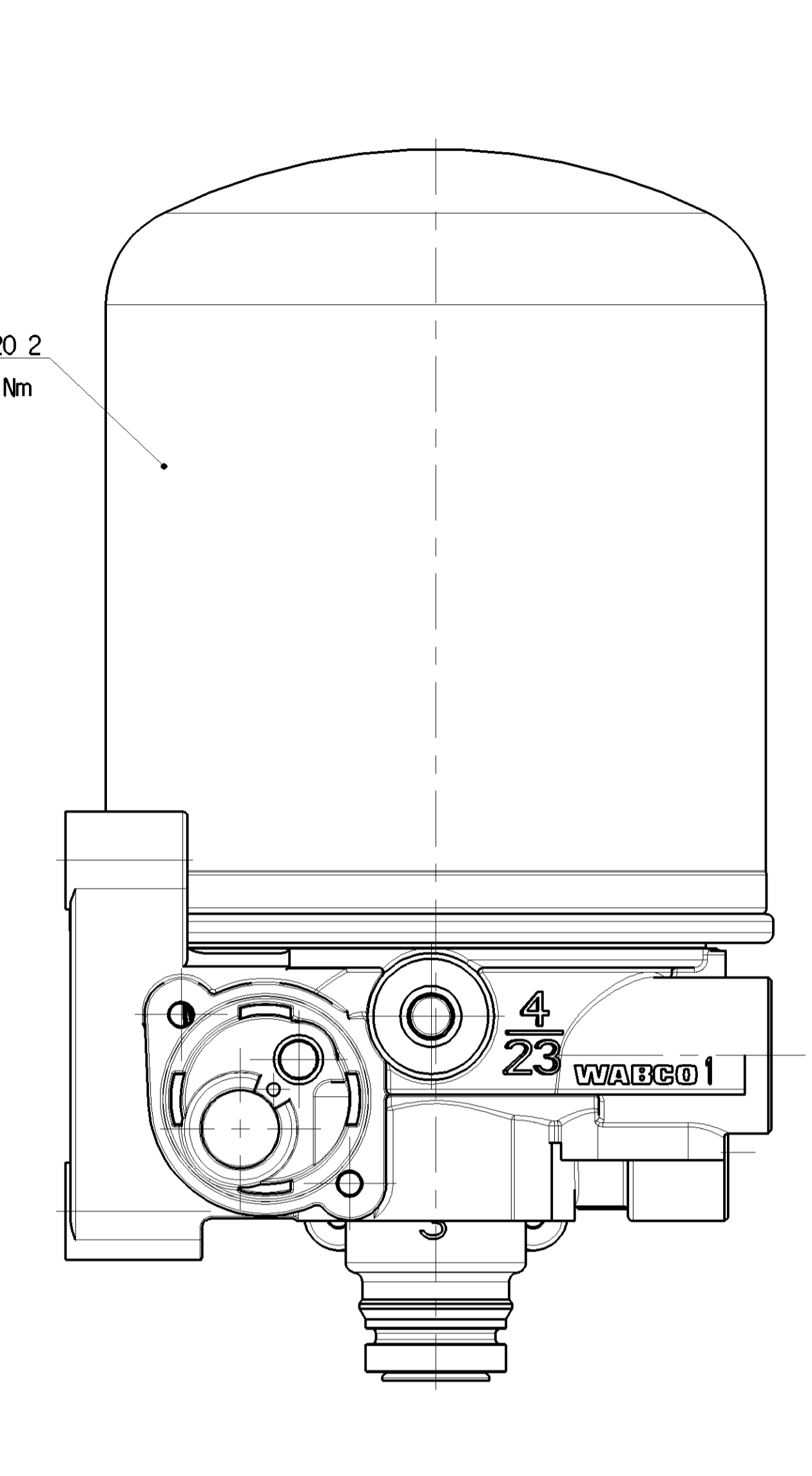
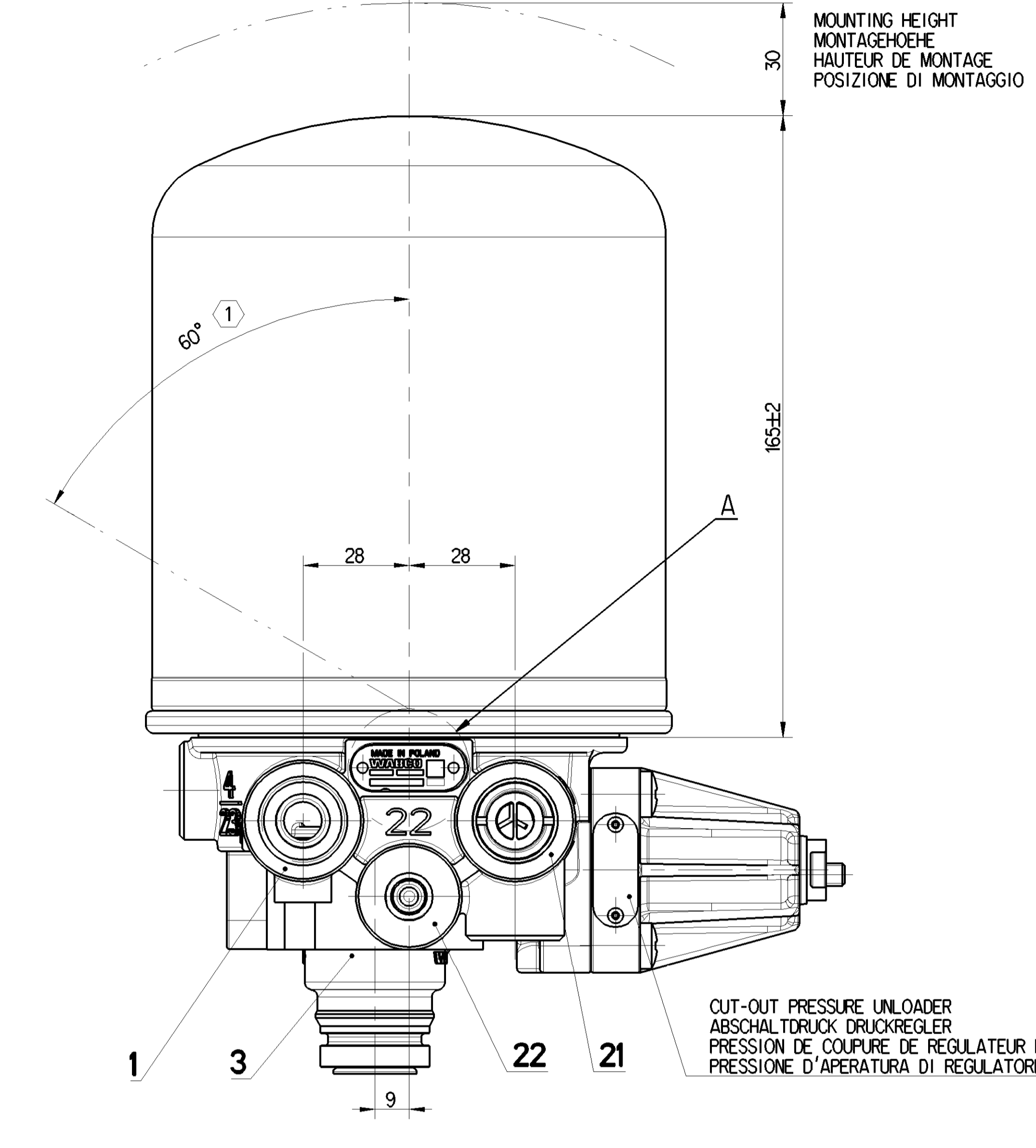
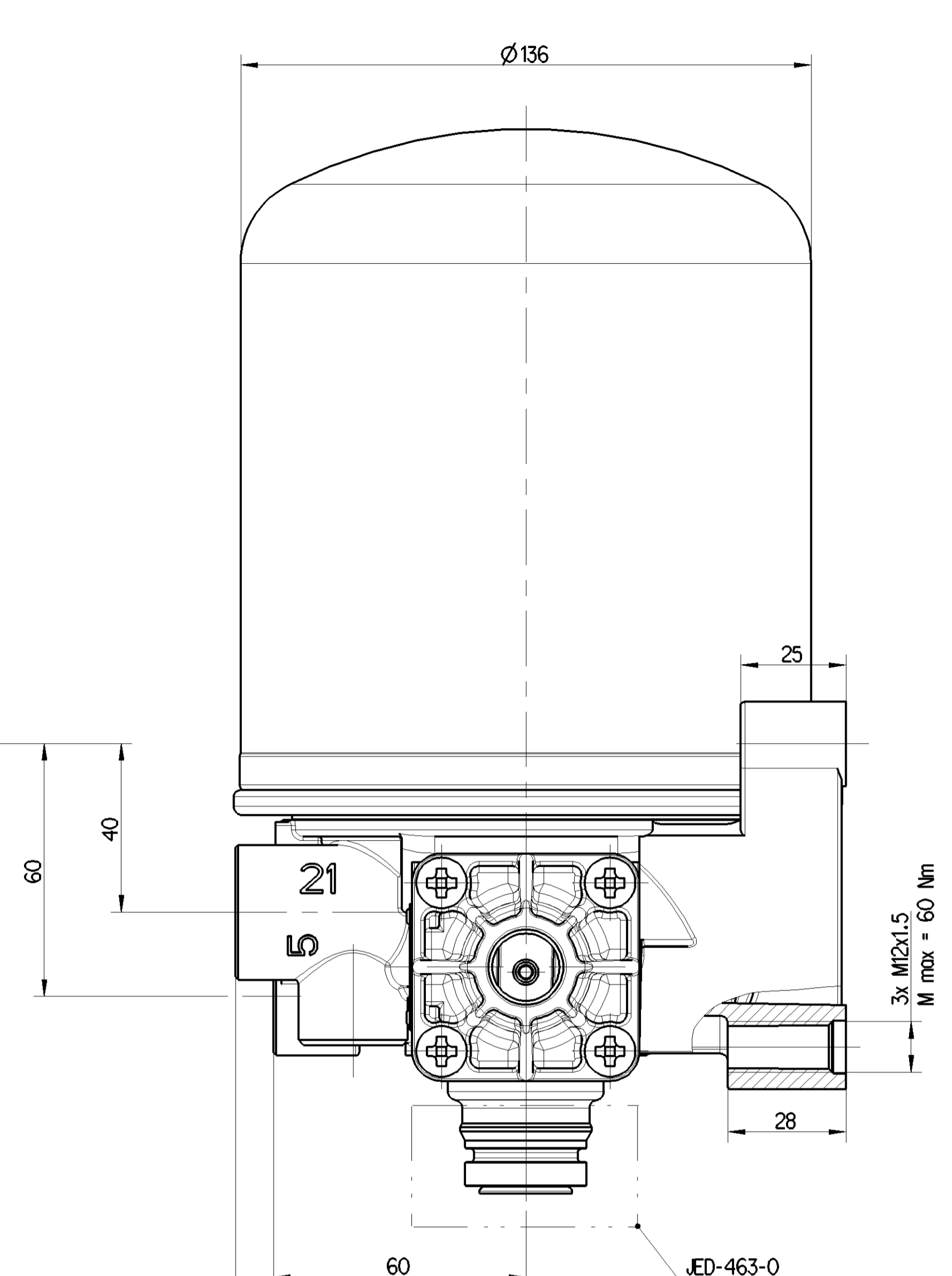
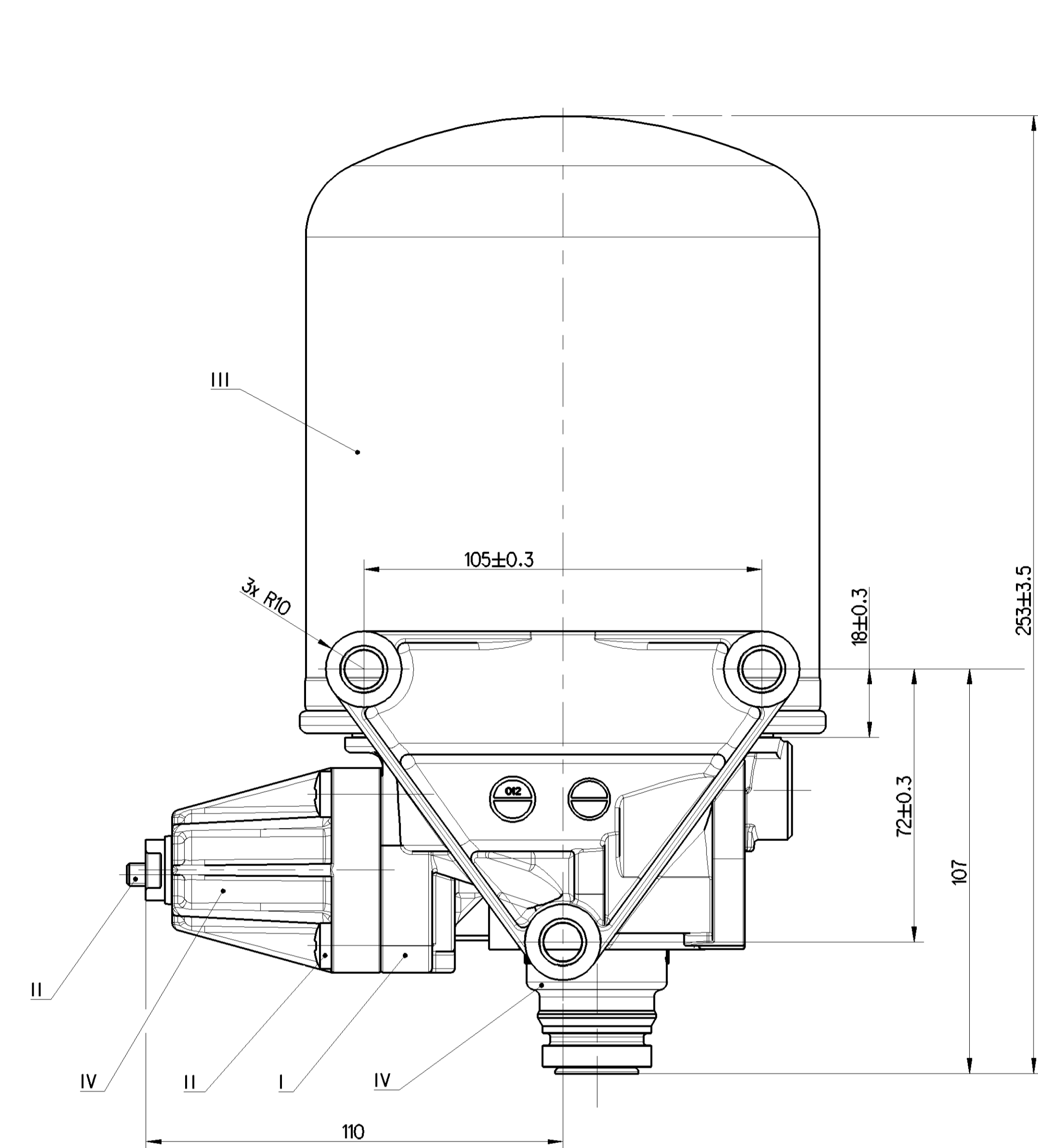


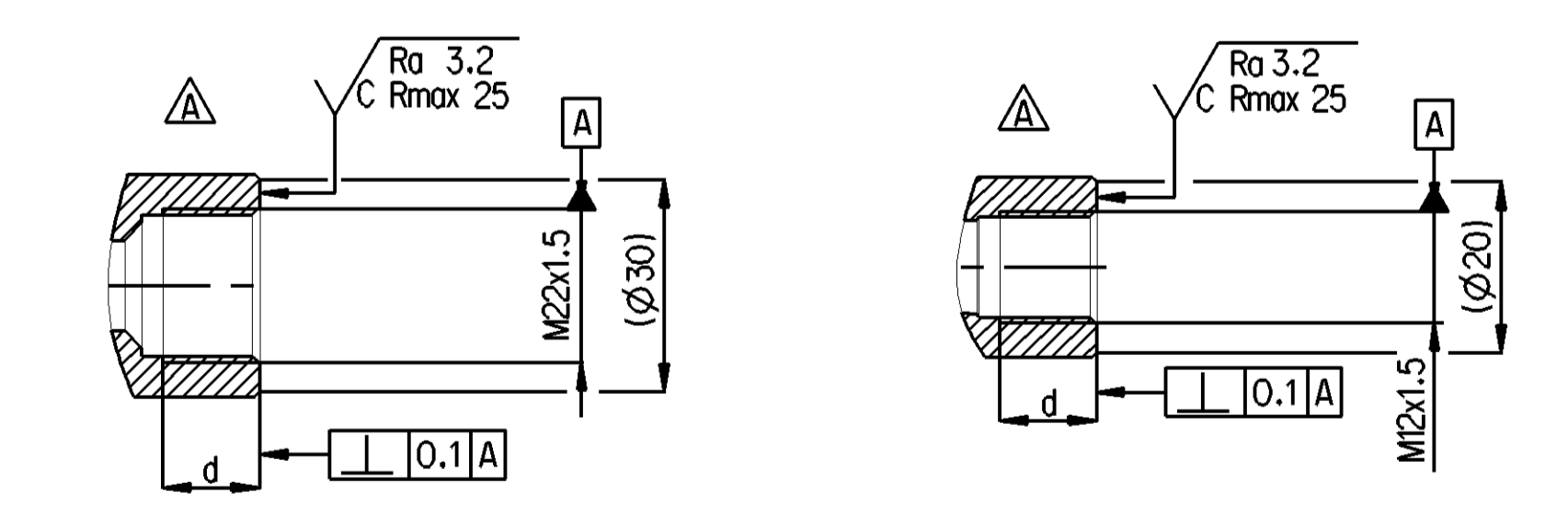
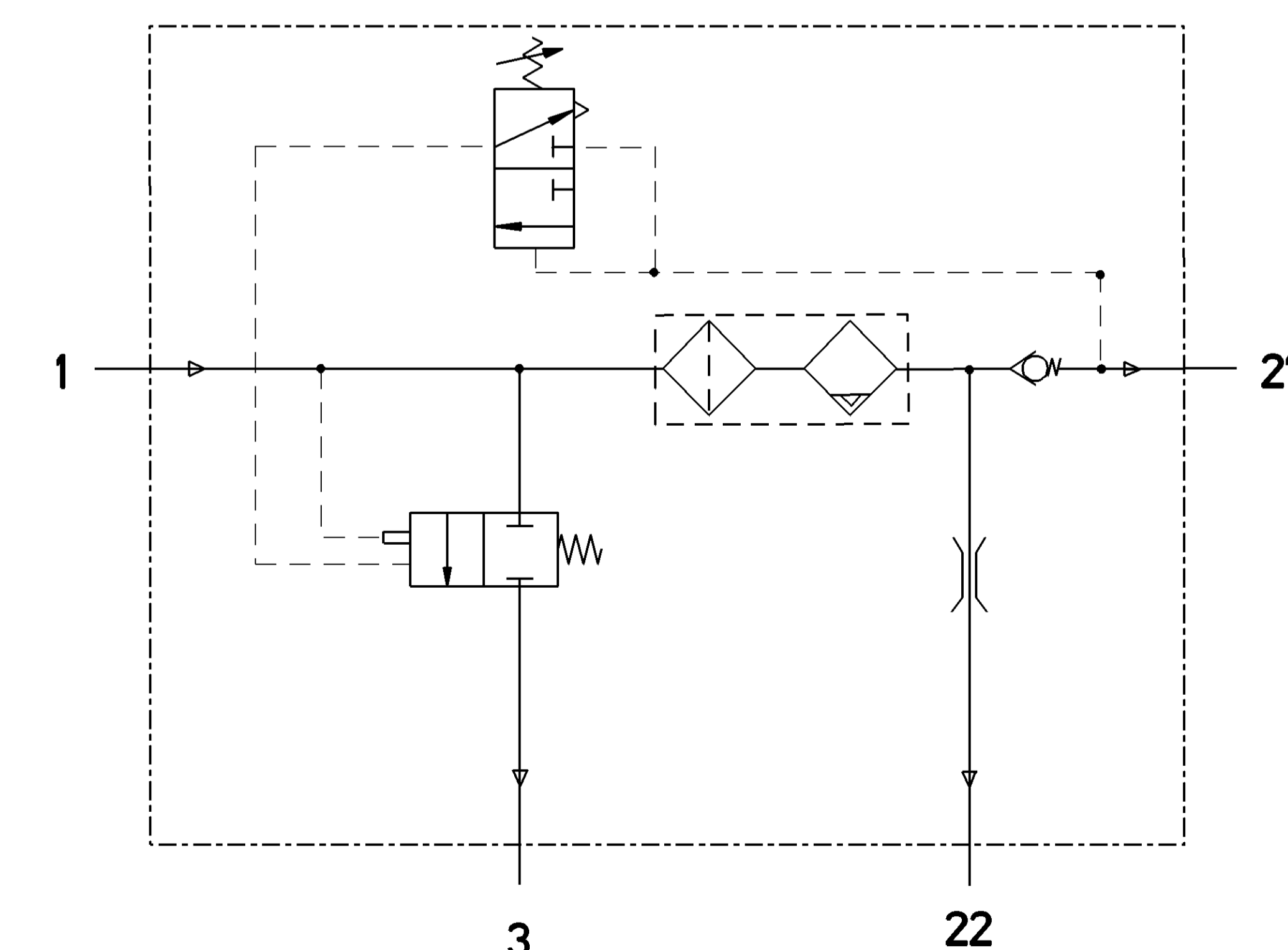
PART CODE	MATERIAL	SURFACE PROTECTION
I	ALUMINIUM ALLOY	CHROMATED
II	STEEL	PASSIVATED
III	STEEL	PAINTED
IV	PLASTIC	NO TREATMENT



TECHNICAL DATA, TECHNISCHE DATEN, CARACTERISTIQUES TECHNIQUES, CARATTERISTICHE TECNICHE

THERMAL RANGE OF CONTINUOUS APPLICATION: THERMISCHER DAUERANWENDUNGSBEREICH: PLAGE DE TEMPERATURE EN UTILISATION CONTINUE: COMPO DI APPLICAZIONE CONTINUA:	-40°C... +65°C
RESISTANCE TO HEAT: WAERMEBESTAENDIGKEIT: RESISTANCE A LA CHALEUR: RESISTANZA AL CALORE:	+80°C MAX
MEDIUM: COMPRESSED AIR MEDIUM: DRUCKLUFT FLUIDE: AIR COMPRIME FLUIDO: ARIA COMPRESSA	
WORKING PRESSURE: BETRIEBSDRUCK: PRESSION DE SERVICE: PRESSIONE D'ESERCIZIO:	Pe MAX = 13 bar
MAX. PERMISSIBLE FREQUENCY MAX. ZULASSIGE FREQUENZ MAX. ADMISSIBLE FREQUENCE MAX. AMMISSIBILE FREQUENZA	50 Hz
MAX. PERMISSIBLE ACCELERATION MAX. ZULASSIGE BESCHLEUNIGUNG ACCELERATION MAX. ADMISSIBILE ACCELERAZIONE MAX. AMMESSA	±10g
COMBINED UNLOADER DRUCKREGLER REGULATEUR DE PRESSION GRUPPO DI REGOLAZIONE	
CUT OUT PRESSURE ABSCHALDRUCK PRESSION D'OUVERTURE PRESSIONE D'APERATURA	12.5±0.2 bar
OPERATING RANGE SCHALTSPANNE PLAGE DE REGULATION GAMME DI REGOLAZIONE	1.3 ^{+0.7} ₀ bar
DYNAMIC PRESSURE OF SAFETY VALVE: STAEDRUCK DES SICHERHEITSVENTILES: PRESSION DYNAMIQUE DU SOUPEPE DE SECURITE: PRESSIONE DINAMICA DELLA VALVOLA DI SICUREZZA:	14 ⁺⁴ ₀ bar (BEI $\dot{V}_n = 100 \text{ dm}^3/\text{min}$)
TORQUES FOR CONNECTIONS: ANZUGSMOMENT FLIER EINSCHRAUBSTUTZEN: COUPLE DE SERRAGE DES RACCORDS COPPIA DI SERRAGGIO DEI RACCORDI:	M12x1.5: Mmax = 21 Nm M22x1.5: Mmax = 53 Nm
1 INSTALLATION POSITION AS DRAWN EINBALLAGE WIE GEZEICHNET POSITION D'INSTALLATION SUIVANT DESSIN POSIZIONE DI MONTAGGIO COME DISEGNATO	
PERMITTED SILENCER: FREIGELEGENER GERAEUSCHDAEMPFER SILENCIEUX PERMIS SILENZIATORE AMMESSO	432 407 012 0

PORT ANSCHLUSS ORIFICE ORIFIZIO	FUNCTION FUNKTION FONCTION FUNZIONE	THREAD GEWINDE FILETAGE FILETTATURA
1	FROM THE COMPRESSOR VOM KOMPRESSOR PROVENANT DU COMPRESSEUR PROVENIENTE DEL COMPRESSORE	M22x1.5 d=15
21	TO THE RESERVOIRS ZU DEN LUFTBEHAELTERN AUX RESERVOIR AL SERBATOII PER	M22x1.5 d=24.5
22	TO RESERVOIR FOR REGENERATION AIR ZUM REGENERATIONS-LUFTBEHAELTER AU RESERVOIR D'AIR DE REGENERATION AL SERBATOII PER L'ARIA RIGENERATA	M12x1.5 d=12
3	EXHAUST FOR COMPRESSED AIR ENTLUEFTUNG FUER DRUCKLUFT ECHAPPEMENT POUR AIR COMPRIME SCARICO PER ARIA COMPRESSA	SILENCER



THIS VARIANT IS EQUIPED WITH A FACILITY FOR DAMPING OF PIPING NOISES
DIES ABWANDLUNG IST AUSGERUESTET MIT EINER EINRICHTUNG ZUR DAEMPfung VON LEITUNGSGERAEUSCHEN

General Specification: ISO 8015, ED-534-1, Size ISO 14405 LP
Further Technical Data: Product Specification
Doc. Code: 020
Date: 2022-07-13
Sheet: 1 of 4
Copyright: WABCO
2022-09-08
Kuryeski
Koskrzewo
AIR DRYER
LUFTTROCKNER
DESSICATEUR D'AIR
ESSICCATORE D'ARIA
432 410 111 0
005 ML 1/1
SIXERIO 4 x A
RECHERCHÉ FROM 432409010