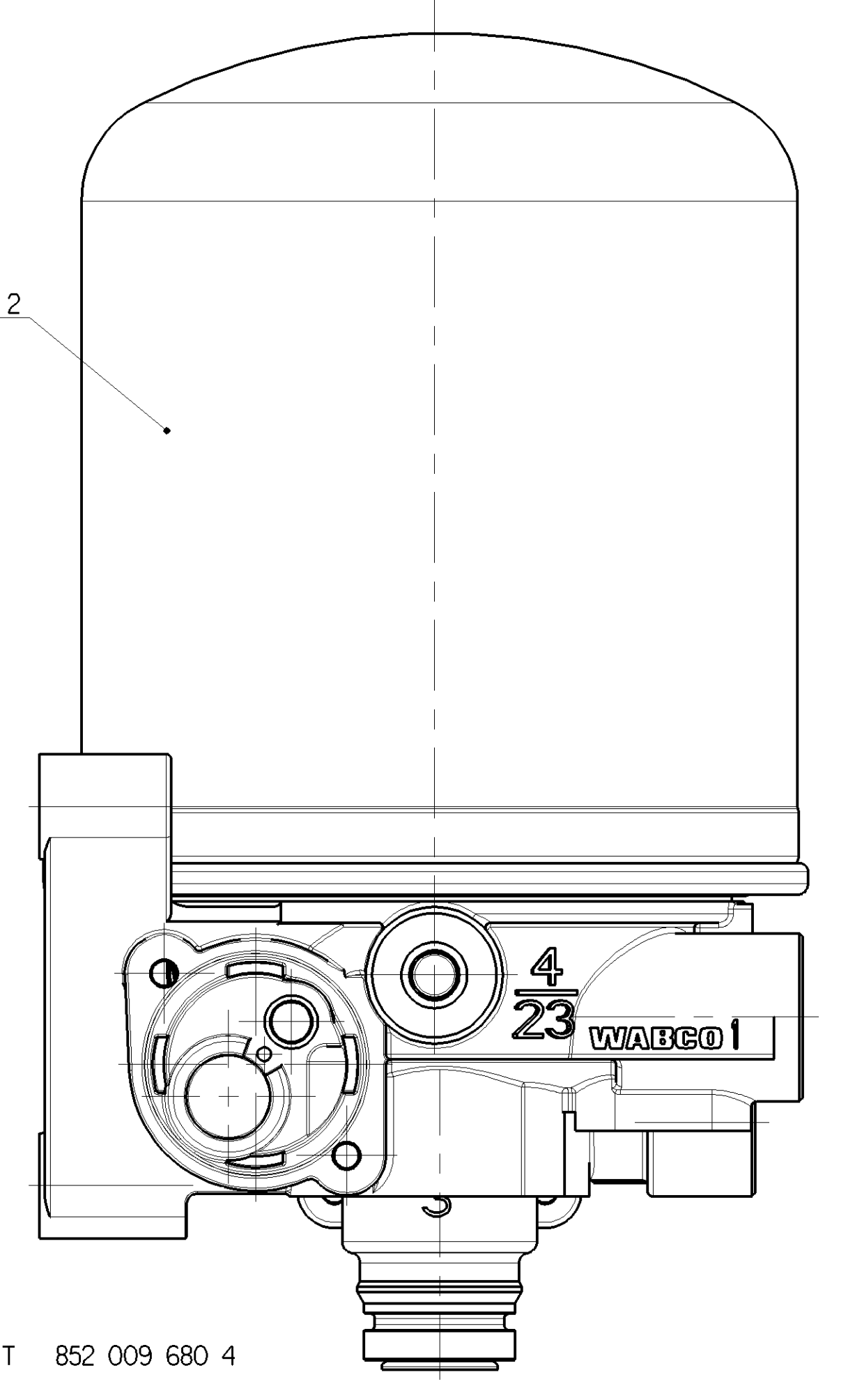
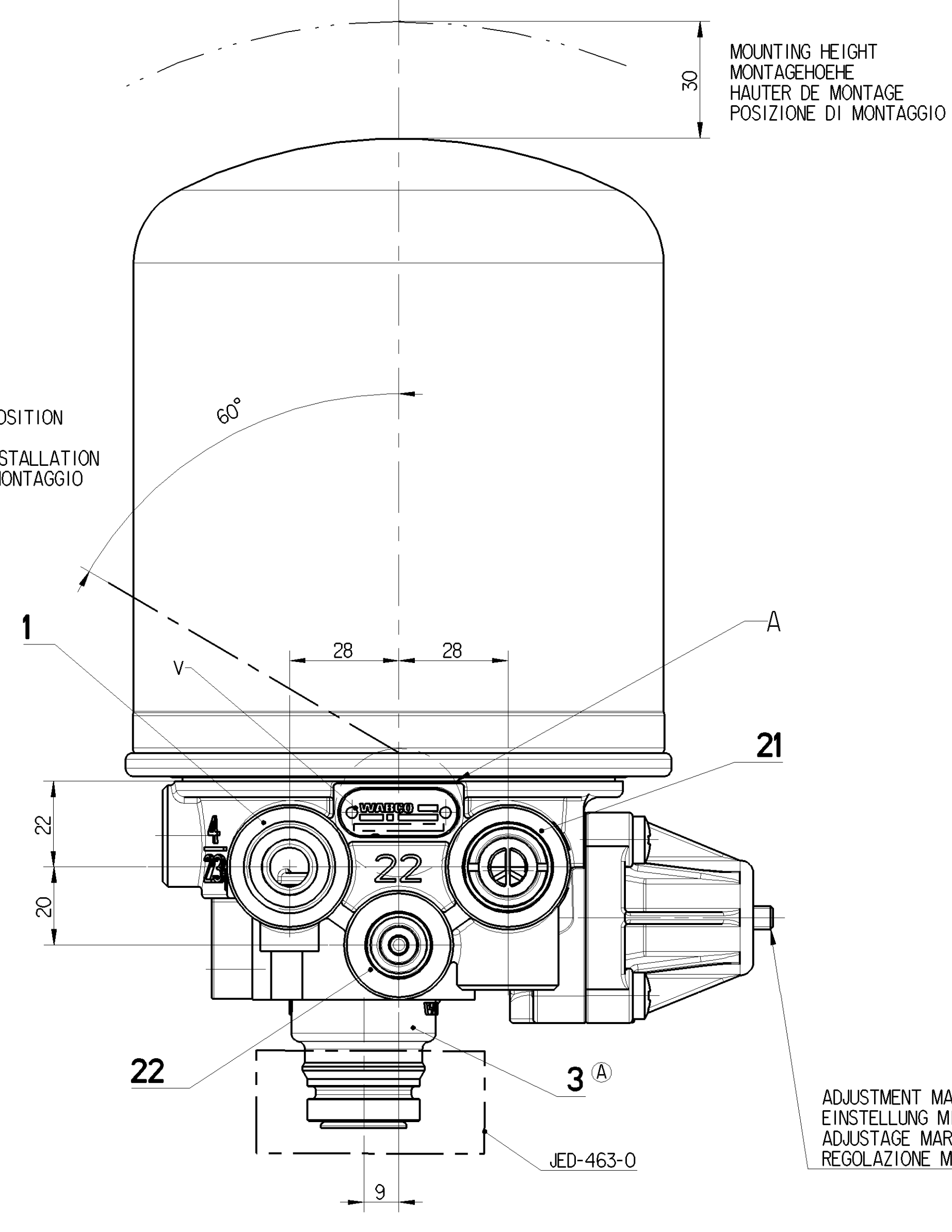
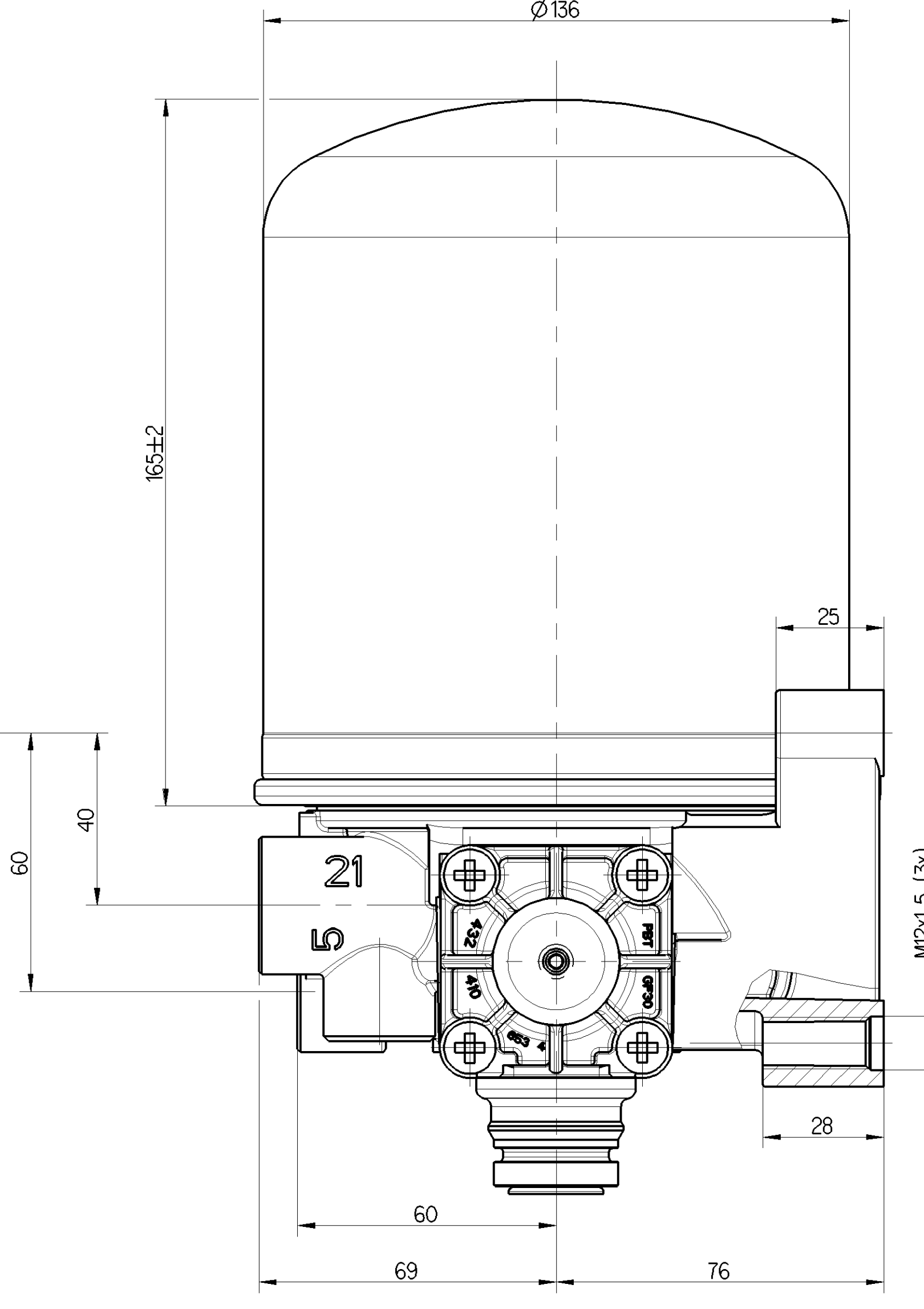
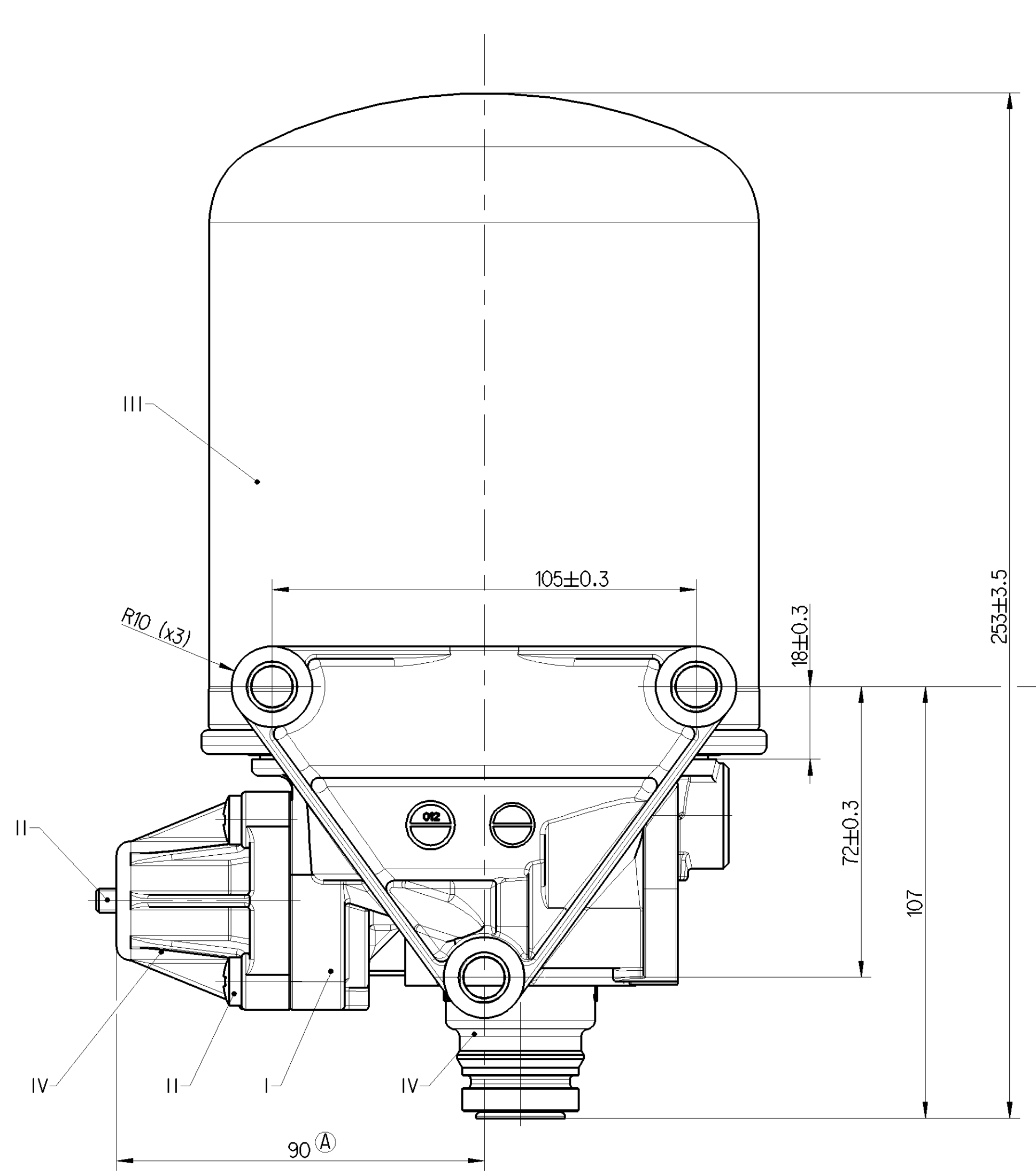
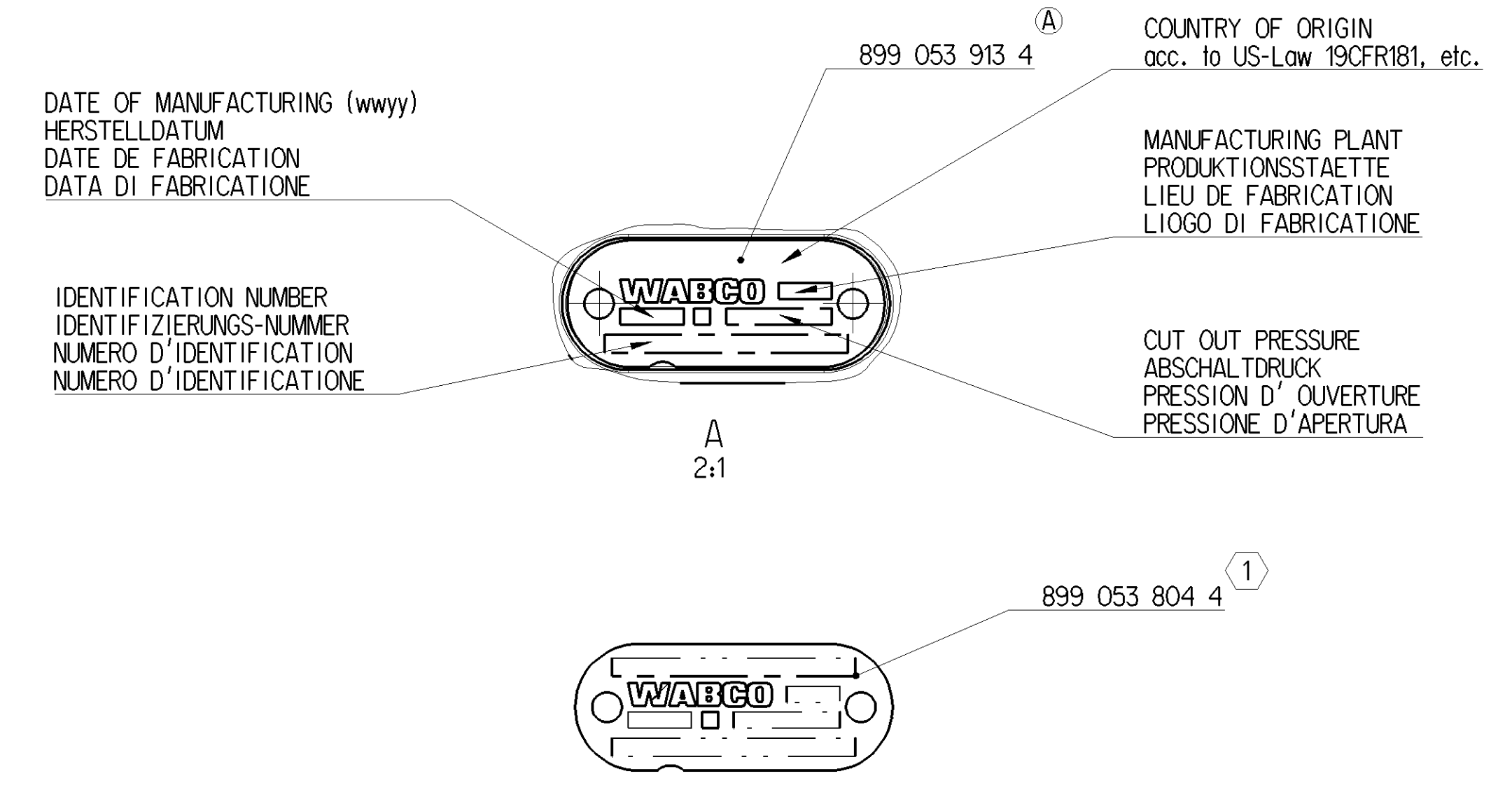
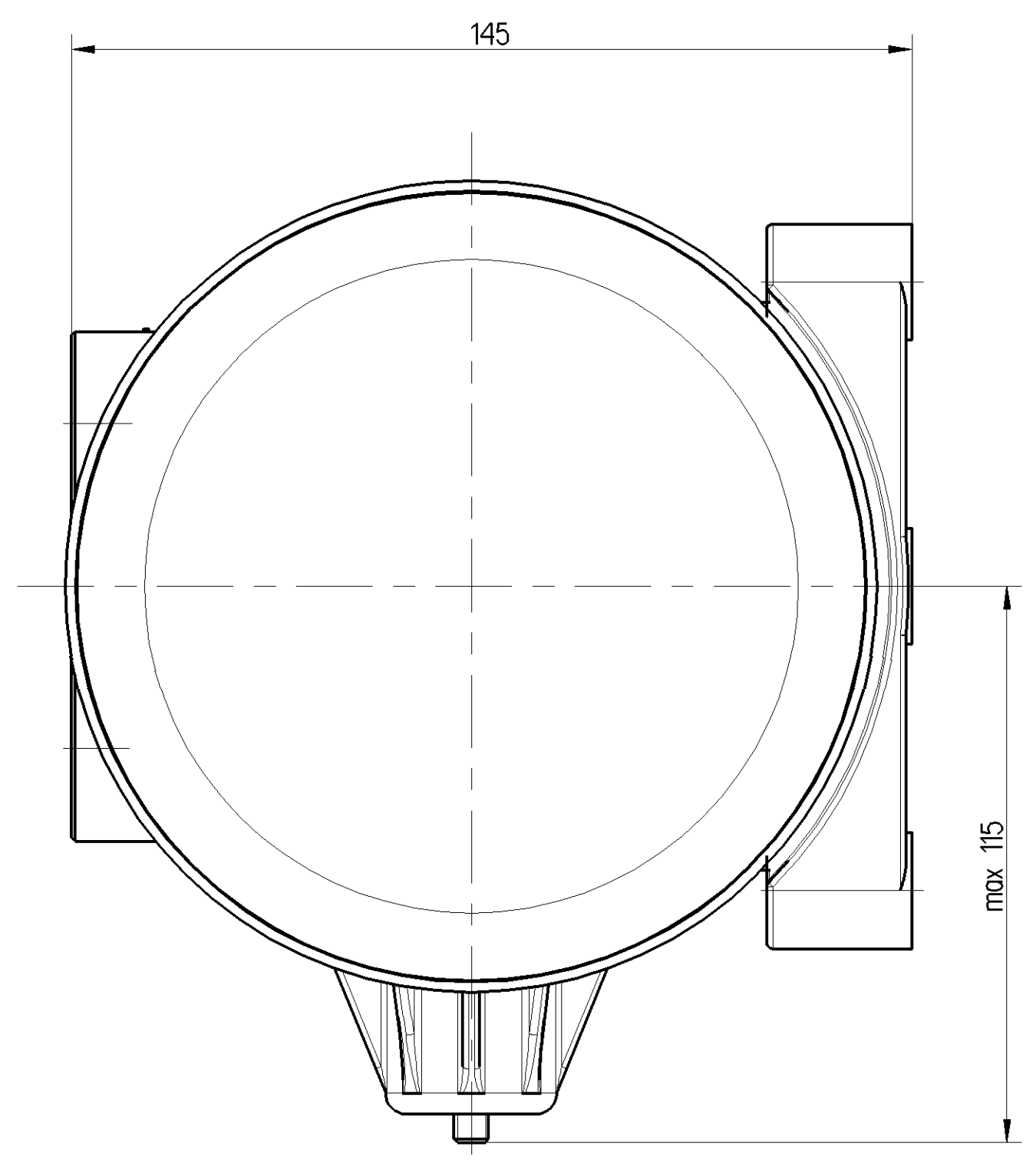


EXTERNAL SURFACE
AUSSERE OBERFLÄCHE
SURFACE EXTERIEURE
SUPERFICIE ESTERNA
I JED-259
II JED-256 OR JED-256-1
III JED-471 SCHWARZ/BLACK
IV PLASTIC/KUNSTOFF
V JED-007-1

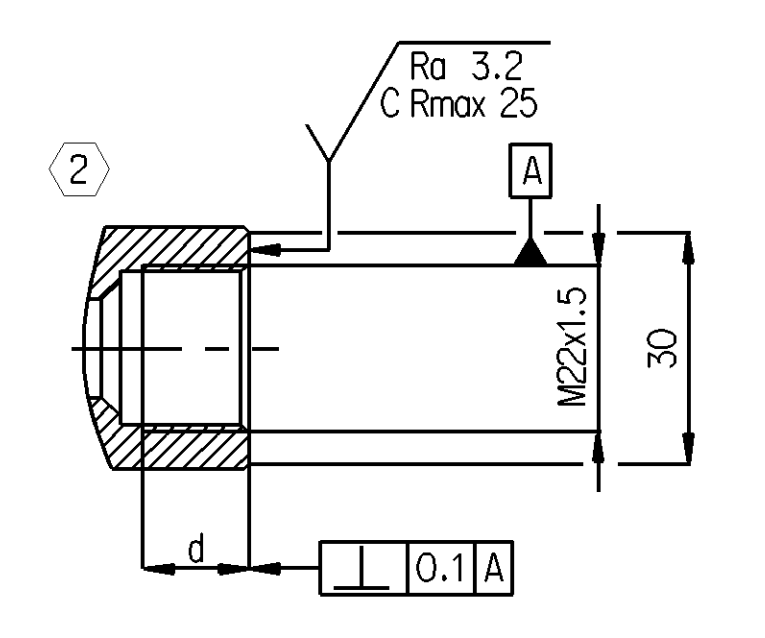
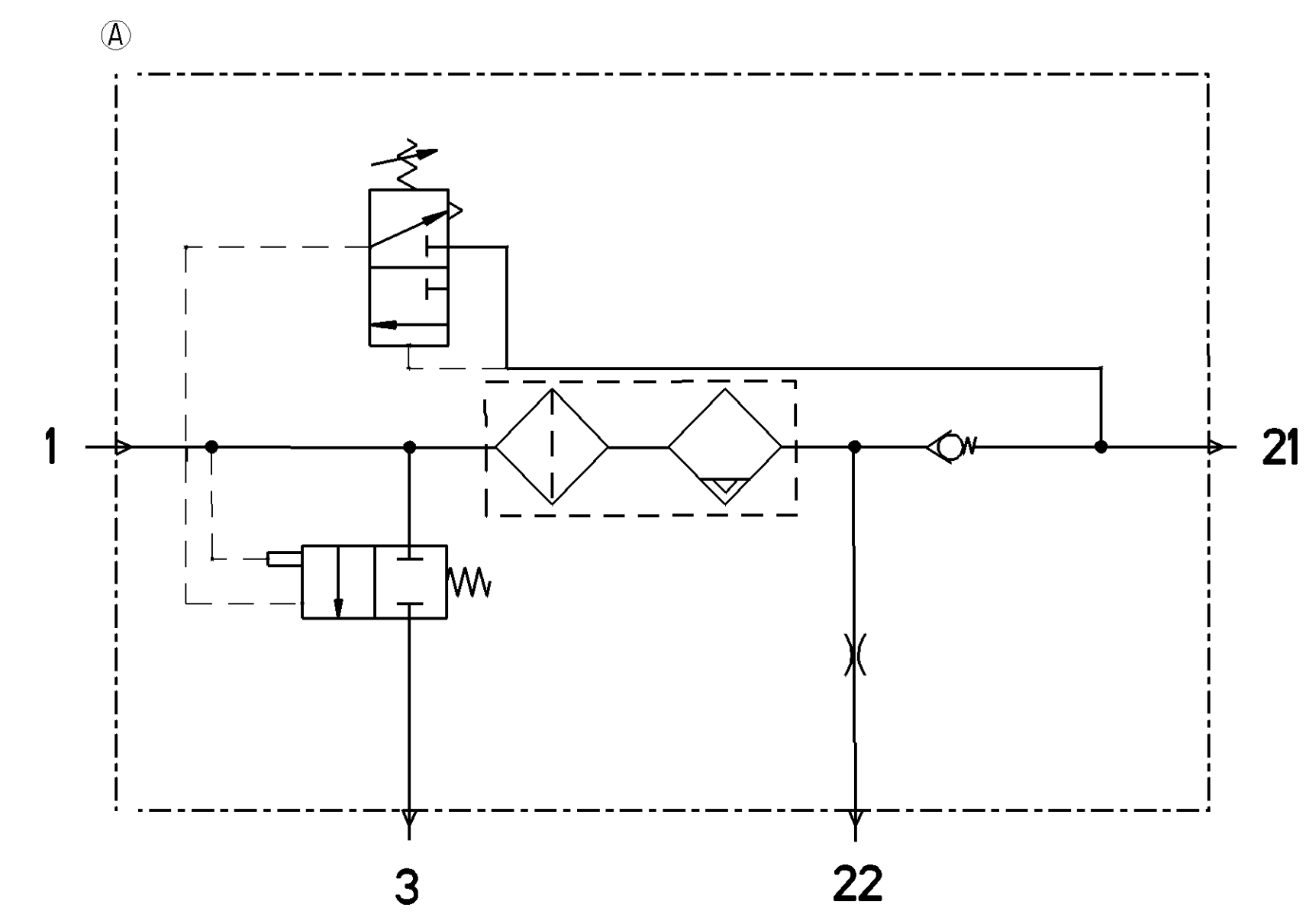


TECHNICAL DATA, TECHNISCHE DATEN, CARACTERISTIQUES TECHNIQUES, CARATTERISTICHE TECNICHE

THERMAL RANGE OF CONTINUOUS APPLICATION: TERMISCHER DAUERANWENDUNGSBEREICH: PLACE DE TEMPERATURE EN UTILISATION CONTINUE: COMPO DI APPLICAZIONE CONTINUA:	-40°C... +65°C
RESISTANCE TO HEAT: WAERMEBESTAENDIGKEIT: RESISTANCE A LA CHALEUR: RESISTANZA AL CALORE:	+80°C MAX
MEDIUM: COMPRESSED AIR MEDIUM: DRUCKLUFT FLUIDE: AIR COMPRIME FLUIDO: ARIA COMPRESSA	
WORKING PRESSURE: BETRIEBSDRUCK: PRESSION DE SERVICE: PRESSIONE D' ESERCIZIO:	Pe MAX=13 bar
MAX. PERMISSIBLE FREQUENCY MAX. ZULAESSIGE FREQUENZ MAX. ADMISSIBLE FREQUENZE MAX. AMMISSIBILE FREQUENZA	50 Hz
MAX. PERMISSIBLE ACCELERATION MAX. ZULAESSIGE BESCHLUNIGUNG ACCELERATION MAX. ADMISSIBILE ACCELERAZIONE MAX. AMMESSA	±10x g (A)
COMBINED UNLOADER: DRUCKREGLER: REGULATEUR DE PRESSION: GRUPPO DI REGOLAZIONE:	
CUT OUT PRESSURE: ABSCHALTDRUCK: PRESSION D'OUVERTURE: PRESSIONE D'APERTURA:	12.5±0.2 bar
OPERATING RANGE: SCHALTSPANNE: PLAGE DE REGULATION: GAMMA DI REGOLAZIONE:	1.3 ^{+0.7} bar
DYNAMIC PRESSURE OF SAFETY VALVE: STAU DRUCK DES SICHERHEITSENTILES: PRESSION DYNAMIQUE DU SOUPAPE DE SECURITE: PRESSIONE DINAMICA DELLA VALVOLA DI SICUREZZA:	14 ⁰ bar (BEI $\dot{V}_n=100dm^3/min.$)
TORQUES FOR CONNECTIONS: ANZUGSMOMENT FUER EINSCHRAUBSTUTZEN: COUPLE DE SERRAGE DES RACCORDS: COPPIA DI SERRAGGIO DEI RACCORDI:	M16x1.5: Mmax = 34 Nm M22x1.5: Mmax = 53 Nm
INSTALLATION POSITION AS DRAWN EINBAULAGE WIE GEZEICHNET POSITION D' INSTALLATION SUIVANT DESSIN POSIZIONE DI MONTAGGIO COME DISEGNATO	
PERMITTED SILENCER: FREIGEBOENER GERAEUSCHDAEMPFER SILENCIEUX PERMIS SILENZIATORE AMMESSO	432 407 012 0



PORT ANSCHLUSS ORIFICE ORIFIZIO	FUNCTION FUNCTION FONCTIONE FUNZIONE	THREAD GEWINDE FILETTAGE FILETTATURA
1 (2)	FROM THE COMPRESSOR VOM KOMPRESSOR PROVENANT DU COMPRESSEUR PROVENIENTE DEL COMPRESSORE	M22x1.5 JED-152 A) d=15
21	TO THE RESERVOIRS ZU DEN LUFTBEHAELTERN AUX RESERVOIR AL SERBATOII PER	M22x1.5 JED-388
22	TO THE RESERVOIRS FOR REGENERATED AIR ZUM REGENERATIONS-LUFTBEHALTER AUX RESERVOIRS D' AIR REGENERE AL SERBATOII PER L' ARIA RIGENERATA	M16x1.5 JED-388
3	EXHAUST FOR COMPRESSED AIR ENTLUEFTUNG FUER DRUCKLUFT ECHAPPEMENT POUR AIR COMPRI SCARICO PER ARIA COMPRESSA	-



General Specification: JED-354-0	Copyright: WABCO	WABCO
Further Technical Data: Product Specification	Date: 2015-02-13	Author: Kuzynski
Doc. Code: 030	Drawn: 1	To: 4
General Tolerances: ISO 201	2015-02-16	Unit: Liter
Range of Nominal Dimensions (± mm)	Max. 3.50	Min. 0.10
Class: 11 ± 50	1.0	1.5
Class: 12 ± 50	2.0	3.0
Class: 13 ± 50	4.0	6.5
Class: 14 ± 50	0.5	1.0
Class: 15 ± 50	1.5	2.0
Class: 16 ± 50	3.0	4.0
Class: 17 ± 50	5.0	6.5
Class: 18 ± 50	0.1	0.1
Class: 19 ± 50	0.1	0.1
Class: 20 ± 50	0.1	0.1
Class: 21 ± 50	0.1	0.1
Class: 22 ± 50	0.1	0.1
Class: 23 ± 50	0.1	0.1
Class: 24 ± 50	0.1	0.1
Class: 25 ± 50	0.1	0.1
Class: 26 ± 50	0.1	0.1
Class: 27 ± 50	0.1	0.1
Class: 28 ± 50	0.1	0.1
Class: 29 ± 50	0.1	0.1
Class: 30 ± 50	0.1	0.1
Class: 31 ± 50	0.1	0.1
Class: 32 ± 50	0.1	0.1
Class: 33 ± 50	0.1	0.1
Class: 34 ± 50	0.1	0.1
Class: 35 ± 50	0.1	0.1
Class: 36 ± 50	0.1	0.1
Class: 37 ± 50	0.1	0.1
Class: 38 ± 50	0.1	0.1
Class: 39 ± 50	0.1	0.1
Class: 40 ± 50	0.1	0.1
Class: 41 ± 50	0.1	0.1
Class: 42 ± 50	0.1	0.1
Class: 43 ± 50	0.1	0.1
Class: 44 ± 50	0.1	0.1
Class: 45 ± 50	0.1	0.1
Class: 46 ± 50	0.1	0.1
Class: 47 ± 50	0.1	0.1
Class: 48 ± 50	0.1	0.1
Class: 49 ± 50	0.1	0.1
Class: 50 ± 50	0.1	0.1
Class: 51 ± 50	0.1	0.1
Class: 52 ± 50	0.1	0.1
Class: 53 ± 50	0.1	0.1
Class: 54 ± 50	0.1	0.1
Class: 55 ± 50	0.1	0.1
Class: 56 ± 50	0.1	0.1
Class: 57 ± 50	0.1	0.1
Class: 58 ± 50	0.1	0.1
Class: 59 ± 50	0.1	0.1
Class: 60 ± 50	0.1	0.1
Class: 61 ± 50	0.1	0.1
Class: 62 ± 50	0.1	0.1
Class: 63 ± 50	0.1	0.1
Class: 64 ± 50	0.1	0.1
Class: 65 ± 50	0.1	0.1
Class: 66 ± 50	0.1	0.1
Class: 67 ± 50	0.1	0.1
Class: 68 ± 50	0.1	0.1
Class: 69 ± 50	0.1	0.1
Class: 70 ± 50	0.1	0.1
Class: 71 ± 50	0.1	0.1
Class: 72 ± 50	0.1	0.1
Class: 73 ± 50	0.1	0.1
Class: 74 ± 50	0.1	0.1
Class: 75 ± 50	0.1	0.1
Class: 76 ± 50	0.1	0.1
Class: 77 ± 50	0.1	0.1
Class: 78 ± 50	0.1	0.1
Class: 79 ± 50	0.1	0.1
Class: 80 ± 50	0.1	0.1
Class: 81 ± 50	0.1	0.1
Class: 82 ± 50	0.1	0.1
Class: 83 ± 50	0.1	0.1
Class: 84 ± 50	0.1	0.1
Class: 85 ± 50	0.1	0.1
Class: 86 ± 50	0.1	0.1
Class: 87 ± 50	0.1	0.1
Class: 88 ± 50	0.1	0.1
Class: 89 ± 50	0.1	0.1
Class: 90 ± 50	0.1	0.1
Class: 91 ± 50	0.1	0.1
Class: 92 ± 50	0.1	0.1
Class: 93 ± 50	0.1	0.1
Class: 94 ± 50	0.1	0.1
Class: 95 ± 50	0.1	0.1
Class: 96 ± 50	0.1	0.1
Class: 97 ± 50	0.1	0.1
Class: 98 ± 50	0.1	0.1
Class: 99 ± 50	0.1	0.1
Class: 100 ± 50	0.1	0.1