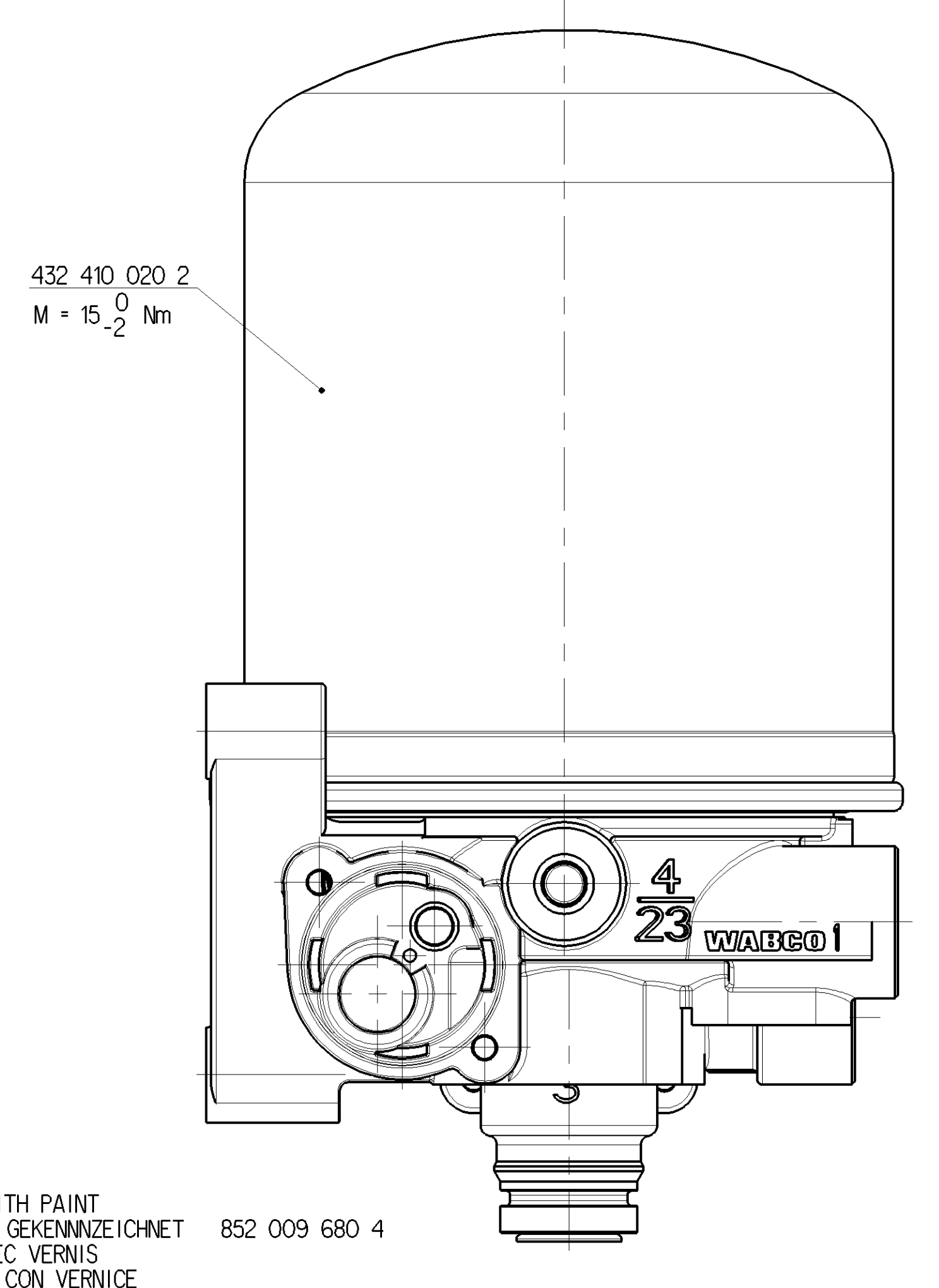
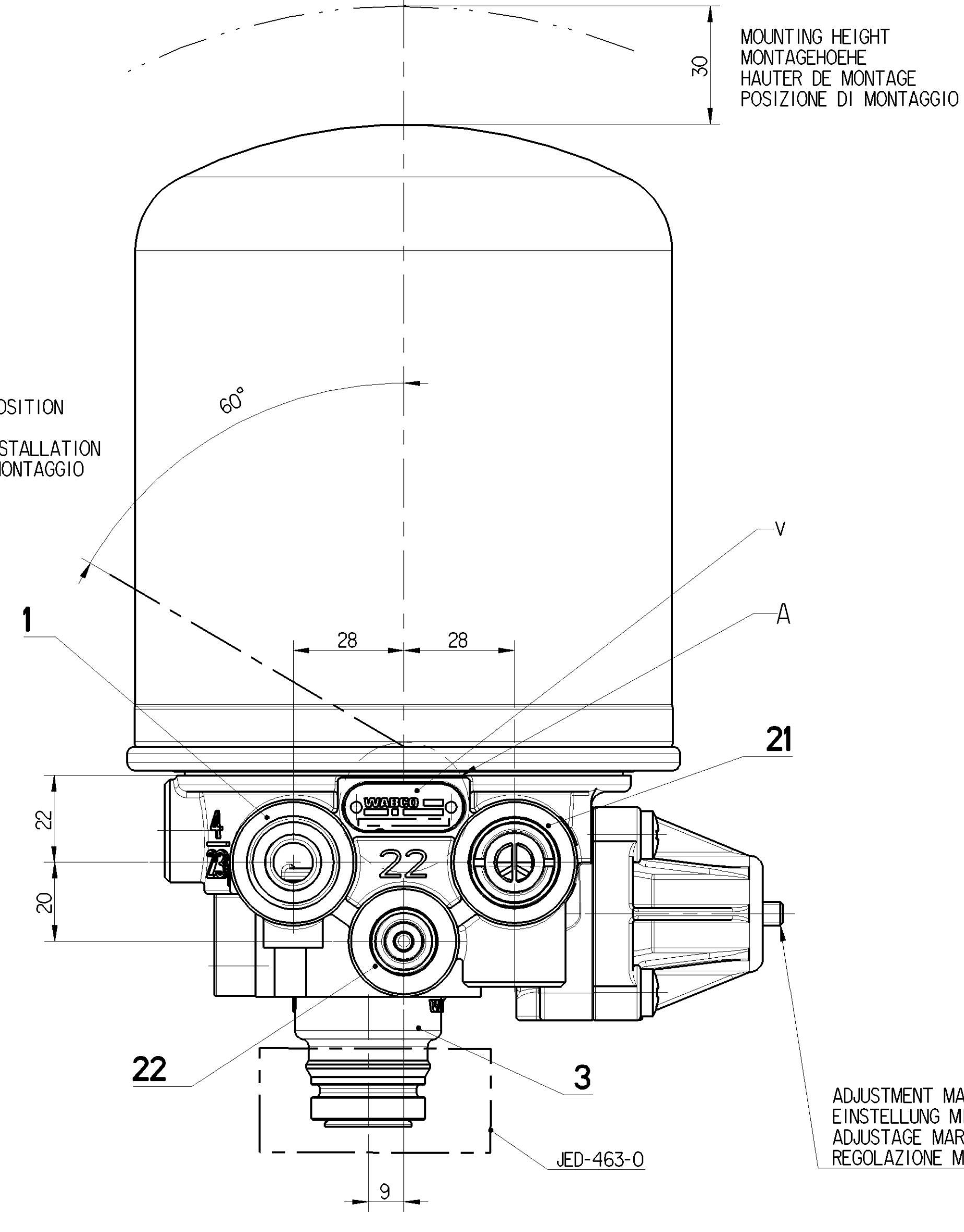
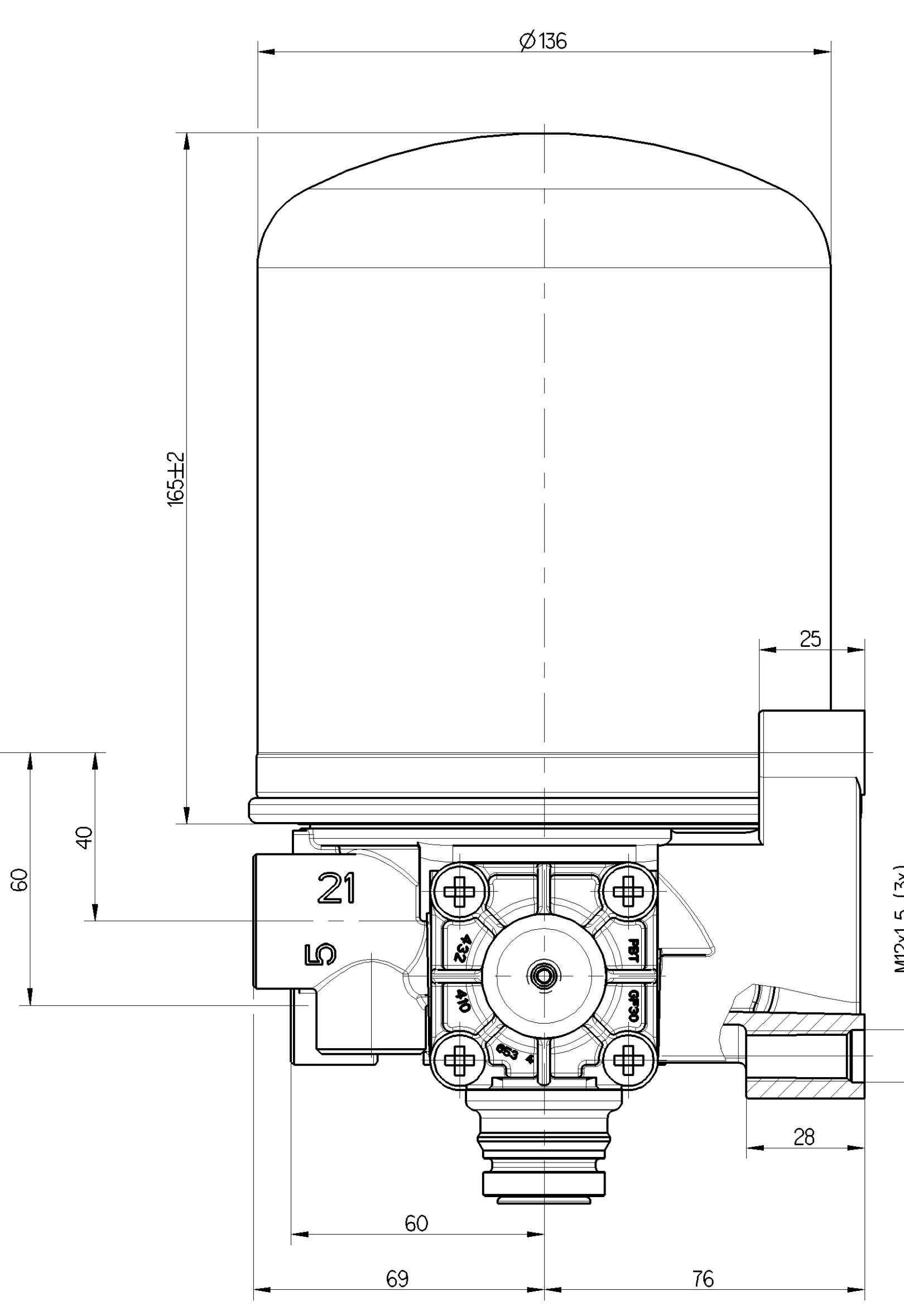
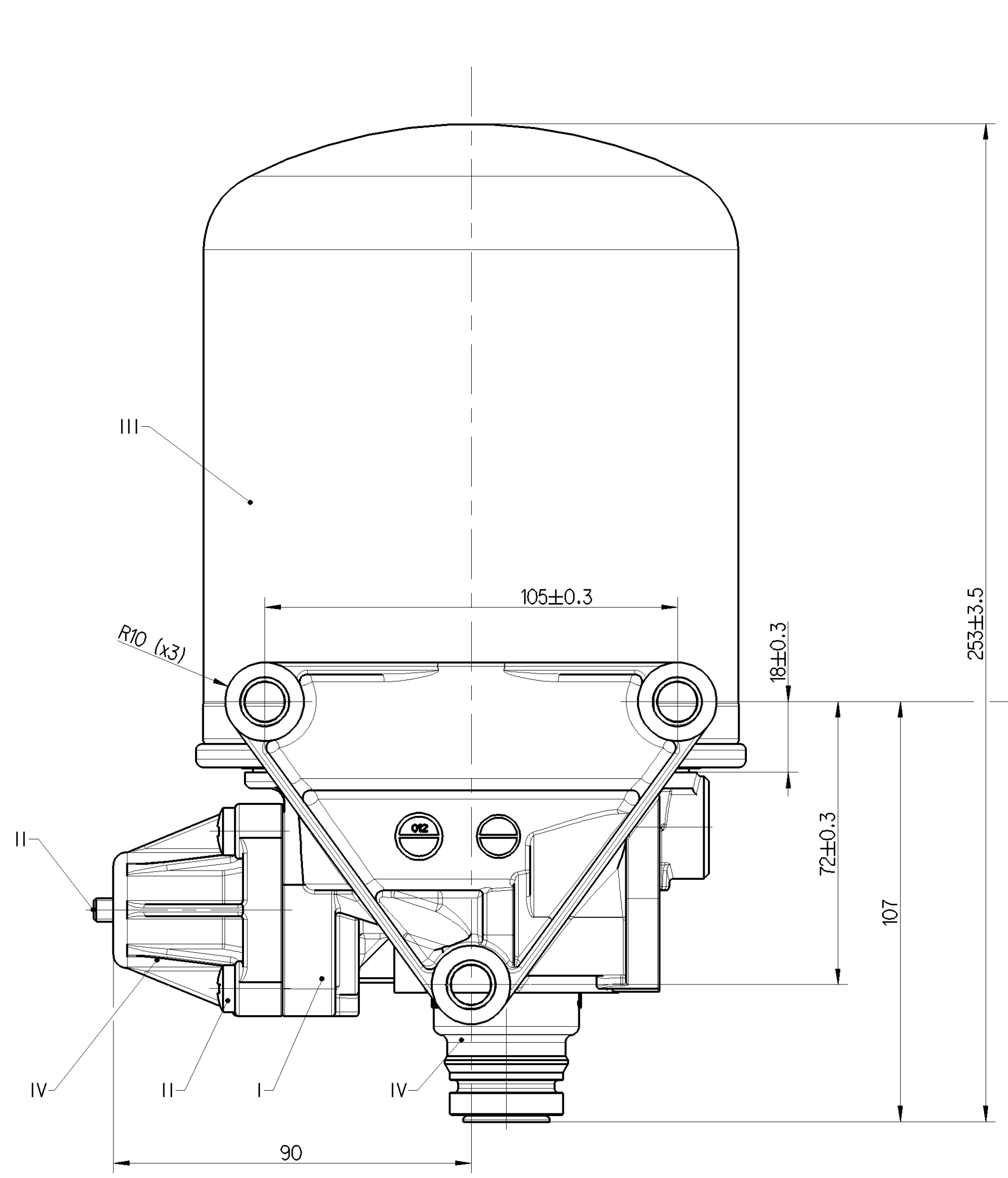
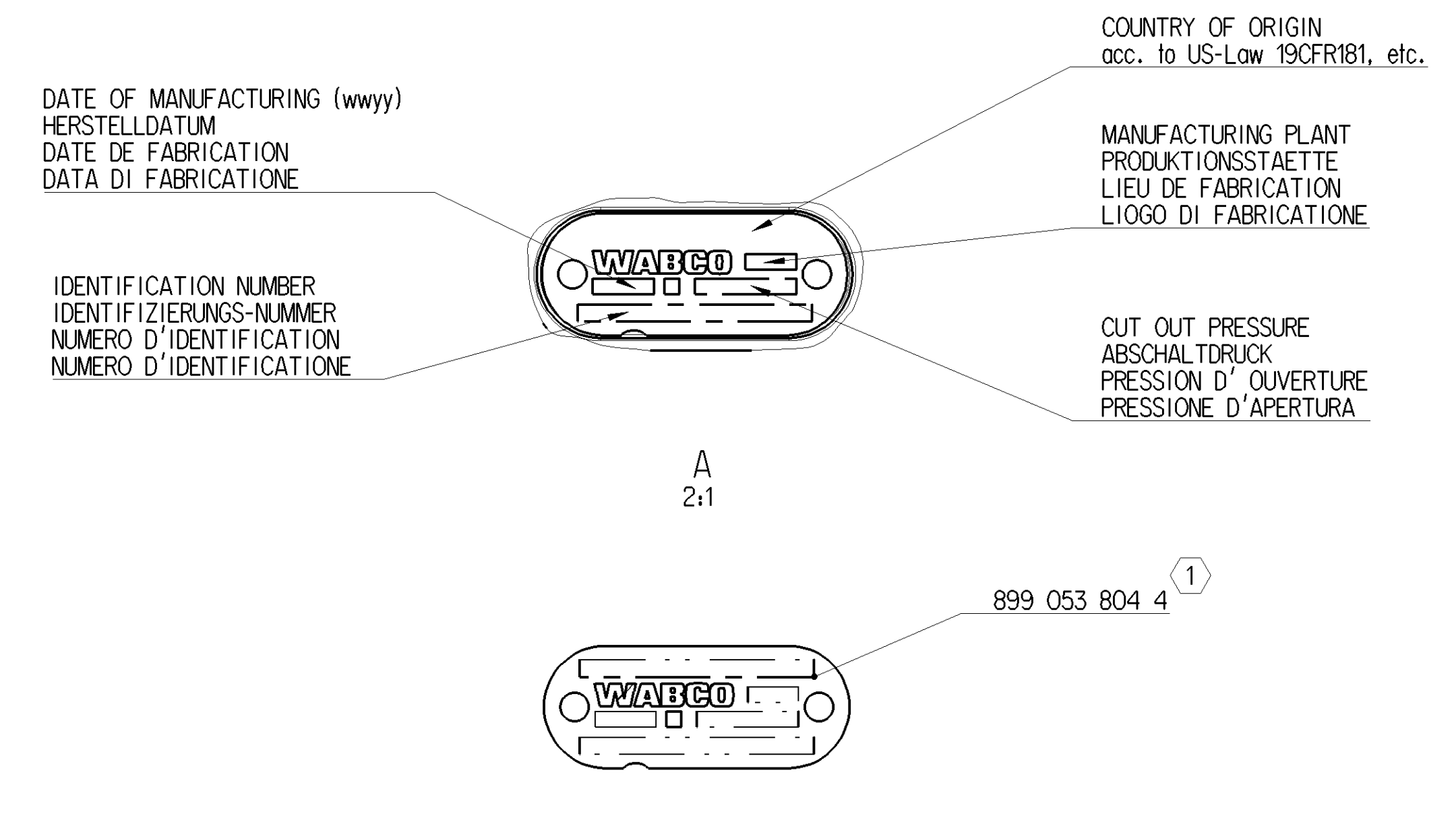
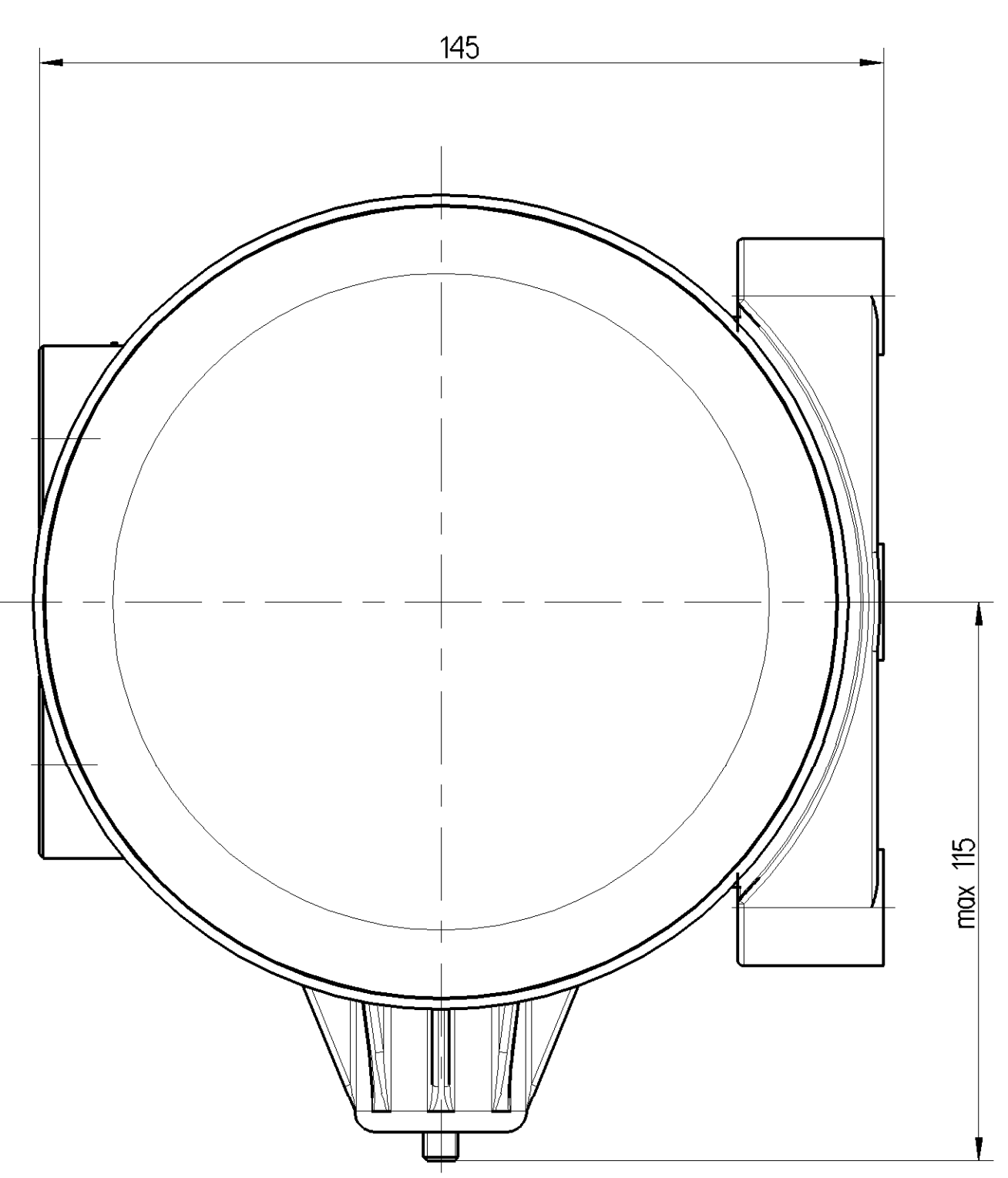


| |
|---------------------------|
| EXTERNAL SURFACE |
| AUSSERE OBERFLÄCHE |
| SURFACE EXTERIEURE |
| SUPERFICIE ESTERNA |
| I JED-259 |
| II JED-256 OR JED-256-1 |
| III JED-471 SCHWARZ/BLACK |
| IV PLASTIC/KUNSTOFF |
| V JED-007-1 |

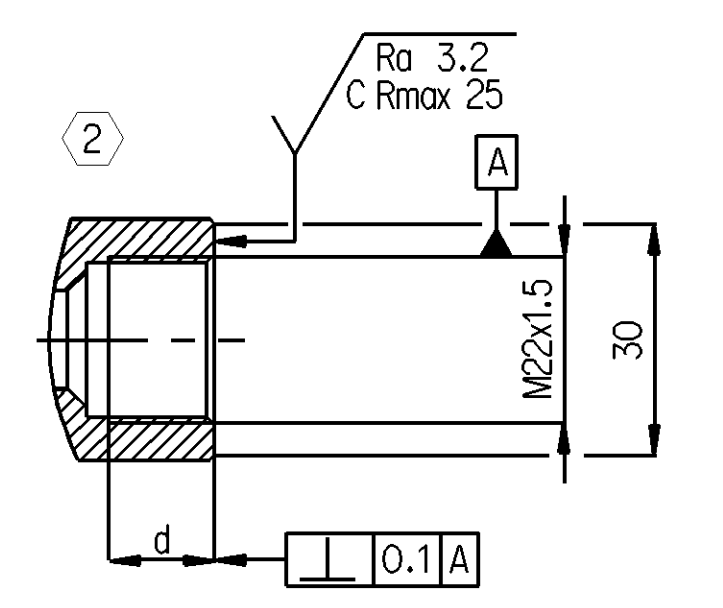
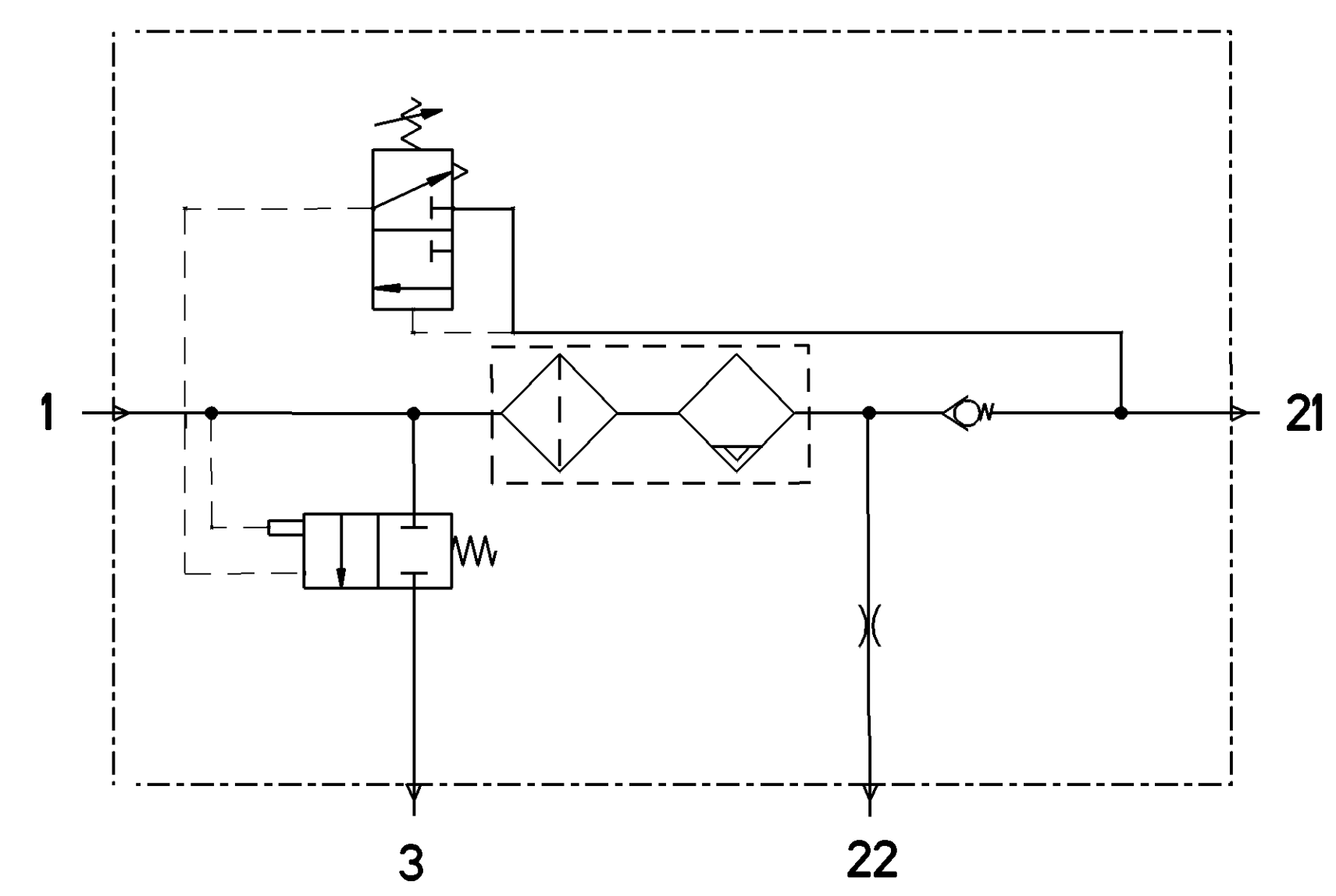


TECHNICAL DATA, TECHNISCHE DATEN, CARACTERISTIQUES TECHNIQUES, CARATTERISTICHE TECNICHE

| | |
|---|--|
| <p>THERMAL RANGE OF CONTINUOUS APPLICATION: TERMISCHER DAUERANWENDUNGSBEREICH: PLACE DE TEMPERATURE EN UTILISATION CONTINUE: COMPO DI APPLICAZIONE CONTINUA:</p> <p>RESISTANCE TO HEAT: WÄRMEBESTAENDIGKEIT: RESISTANCE A LA CHALEUR: RESISTANZA AL CALORE:</p> <p>MEDIUM: COMPRESSED AIR MEDIUM: DRUCKLUFT FLUIDE: AIR COMPRIME FLUIDO: ARIA COMPRESSA</p> <p>WORKING PRESSURE: BETRIEBSDRUCK: PRESSION DE SERVICE: PRESSIONE D' ESERCIZIO:</p> <p>MAX. PERMISSIBLE FREQUENCY: MAX. ZULÄSSIGE FREQUENZ: MAX. AMMISSIBLE FREQUENZE MAX. AMMISSIBLE FREQUENZA</p> <p>MAX. PERMISSIBLE ACCELERATION: MAX. ZULÄSSIGE BESCHLEUNIGUNG ACCELERATION MAX. AMMISSIBLE ACCELERAZIONE MAX. AMMESSA</p> <p>COMBINED UNLOADER: DRUCKREGLER: REGULATEUR DE PRESSION: GRUPPO DI REGOLAZIONE:</p> <p>CUT OUT PRESSURE: ABSCHALTDRUCK: PRESSION D'OUVERTURE: PRESSIONE D'APERTURA:</p> <p>OPERATING RANGE: SCHALTSPANNE: PLAGE DE REGULATION: GAMMA DI REGOLAZIONE:</p> <p>DYNAMIC PRESSURE OF SAFETY VALVE: STAU DRUCK DES SICHERHEITSENTILES: PRESSION DYNAMIQUE DU SOUPAPE DE SECURITE: PRESSIONE DINAMICA DELLA VALVOLA DI SICUREZZA:</p> <p>TORQUES FOR CONNECTIONS: ANZUGSMOMENT FUER EINSCHRAUBSTUTZEN: COUPLE DE SERRAGE DES RACCORDS: COPPIA DI SERRAGGIO DEI RACCORDI:</p> <p>INSTALLATION POSITION AS DRAWN: EINBAULAGE WIE GEZEICHNET POSITION D' INSTALLATION SUIVANT DESSIN POSIZIONE DI MONTAGGIO COME DISEGNATO</p> <p>PERMITTED SILENCER: FREIGEBOENER GERÄUSCHDAEMPFER SILENCIEUX PERMIS SILENCIATORE AMMESSO</p> | <p>-40°C... +65°C</p> <p>+80°C MAX</p> <p>Pe MAX=13 bar</p> <p>50 Hz</p> <p>±10x g</p> <p>10.0±0.2 bar</p> <p>1.0 ^{+0.5}/₀ bar</p> <p>12 ⁺⁴/₀ bar (BEI $\dot{V}_n=100\text{dm}^3/\text{min.}$)</p> <p>M16x1.5: Mmax = 34 Nm M22x1.5: Mmax = 53 Nm</p> <p>432 407 012 0</p> |
|---|--|



| PORT ANSCHLUSS ORIFICE ORIFIZIO | FUNCTION FUNCTION FONZIONE | THREAD GEWINDE FILETTAGE FILETTATURA |
|---------------------------------|---|--------------------------------------|
| 1 | FROM THE COMPRESSOR VOM KOMPRESSOR PROVENANT DU COMPRESSEUR PROVENIENTE DEL COMPRESSORE | M22x1.5 JED-152 d=15 |
| 21 | TO THE RESERVOIR ZU DEN LUFTBEHAELTERN AUX SERBATOIRS PER | M22x1.5 JED-388 |
| 22 | TO THE RESERVOIRS FOR REGENERATED AIR ZUM REGENERATIONS-LUFTBEHALTER AUX RESERVOIRS D' AIR REGENERE AL SERBATOI PER L' ARIA RIGENERATA | M16x1.5 JED-388 |
| 3 | EXHAUST FOR COMPRESSED AIR ENTLUEFTUNG FUER DRUCKLUFT ECHAPPEMENT POUR AIR COMPRI SCARICO PER ARIA COMPRESSA | - |



① FOR MAN

| | | |
|---|------------------|------------------|
| General Specification: JED-354-0 | Copyright: WABCO | WABCO |
| Further Technical Data: Product Specification | Date: 2015-02-17 | Drawn: Karzynski |
| Doc. Code: 030 | Drawn: 1 | To: 1 |
| General Tolerances: ISO 2011 | 2015-02-17 | Unit: Liter |
| Range of Nominal Dimensions (± mm) | 3.50 | 1:1 |
| Class: 11 ± 50 | 11 | 12x10 |
| Class: 12 ± 50 | 12 | 12x10 |
| Class: 13 ± 50 | 13 | 12x10 |
| Class: 14 ± 50 | 14 | 12x10 |
| Class: 15 ± 50 | 15 | 12x10 |
| Class: 16 ± 50 | 16 | 12x10 |
| Class: 17 ± 50 | 17 | 12x10 |
| Class: 18 ± 50 | 18 | 12x10 |
| Class: 19 ± 50 | 19 | 12x10 |
| Class: 20 ± 50 | 20 | 12x10 |
| Class: 21 ± 50 | 21 | 12x10 |
| Class: 22 ± 50 | 22 | 12x10 |
| Class: 23 ± 50 | 23 | 12x10 |
| Class: 24 ± 50 | 24 | 12x10 |
| Class: 25 ± 50 | 25 | 12x10 |
| Class: 26 ± 50 | 26 | 12x10 |
| Class: 27 ± 50 | 27 | 12x10 |
| Class: 28 ± 50 | 28 | 12x10 |
| Class: 29 ± 50 | 29 | 12x10 |
| Class: 30 ± 50 | 30 | 12x10 |
| Class: 31 ± 50 | 31 | 12x10 |
| Class: 32 ± 50 | 32 | 12x10 |
| Class: 33 ± 50 | 33 | 12x10 |
| Class: 34 ± 50 | 34 | 12x10 |
| Class: 35 ± 50 | 35 | 12x10 |
| Class: 36 ± 50 | 36 | 12x10 |
| Class: 37 ± 50 | 37 | 12x10 |
| Class: 38 ± 50 | 38 | 12x10 |
| Class: 39 ± 50 | 39 | 12x10 |
| Class: 40 ± 50 | 40 | 12x10 |
| Class: 41 ± 50 | 41 | 12x10 |
| Class: 42 ± 50 | 42 | 12x10 |
| Class: 43 ± 50 | 43 | 12x10 |
| Class: 44 ± 50 | 44 | 12x10 |
| Class: 45 ± 50 | 45 | 12x10 |
| Class: 46 ± 50 | 46 | 12x10 |
| Class: 47 ± 50 | 47 | 12x10 |
| Class: 48 ± 50 | 48 | 12x10 |
| Class: 49 ± 50 | 49 | 12x10 |
| Class: 50 ± 50 | 50 | 12x10 |