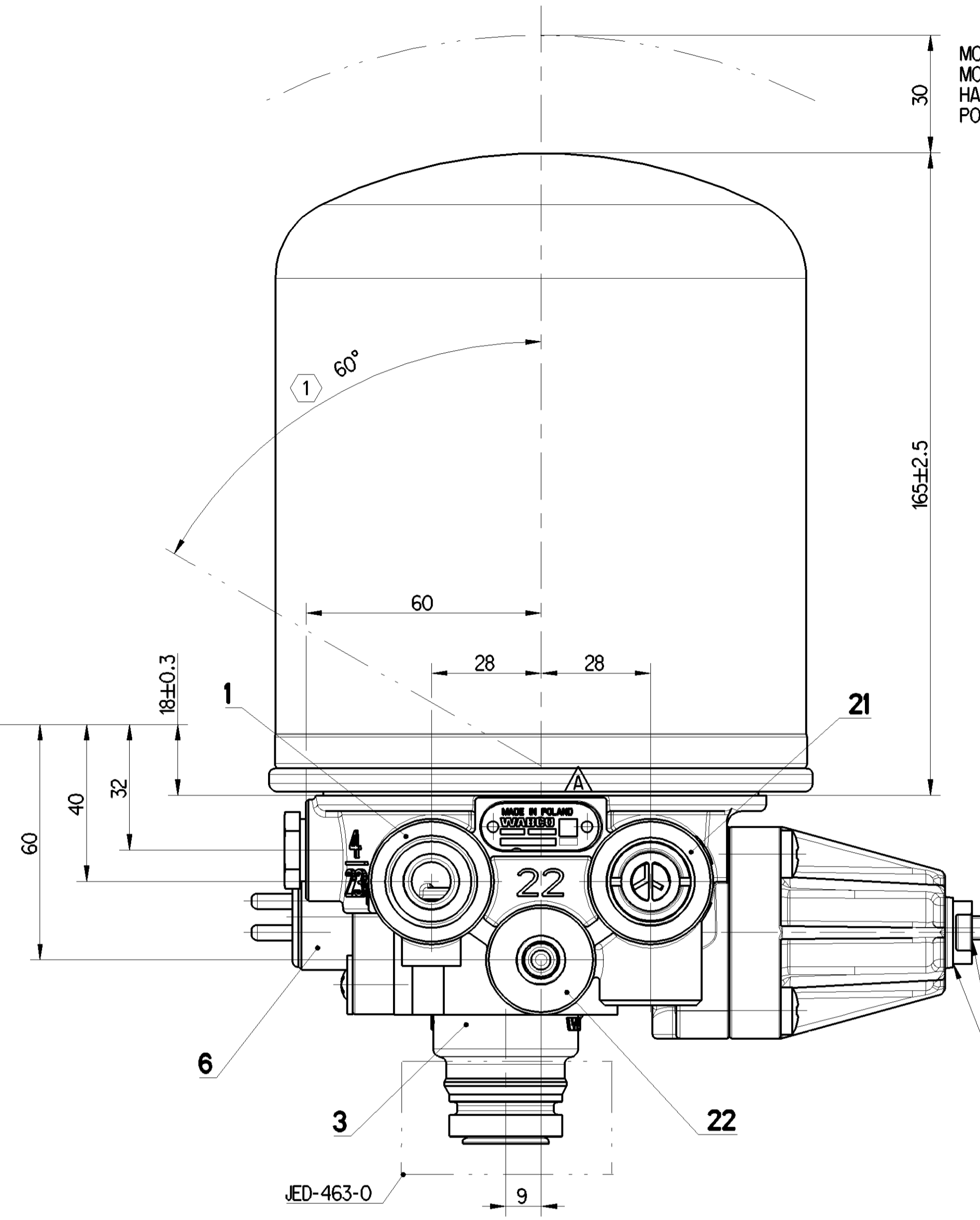
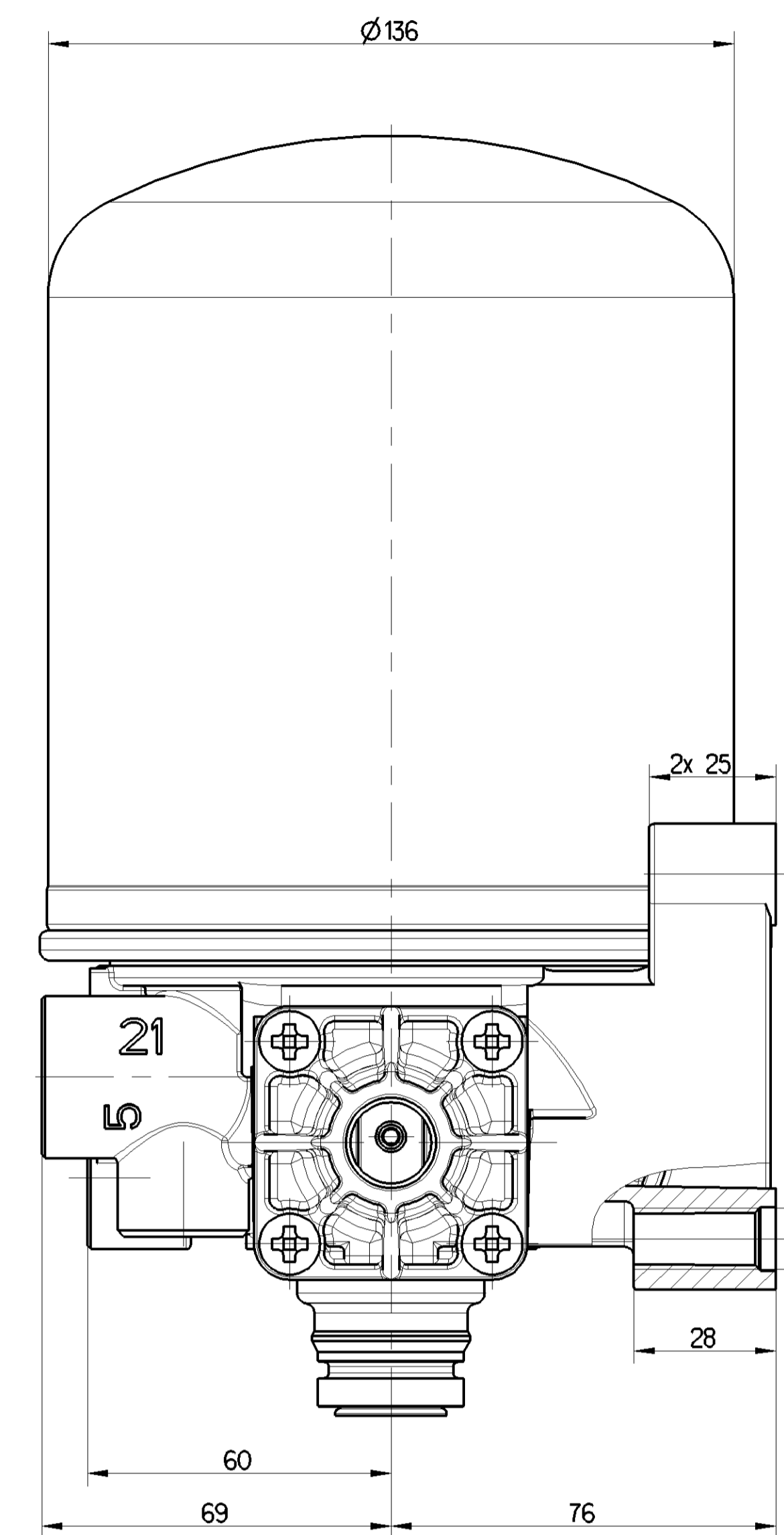
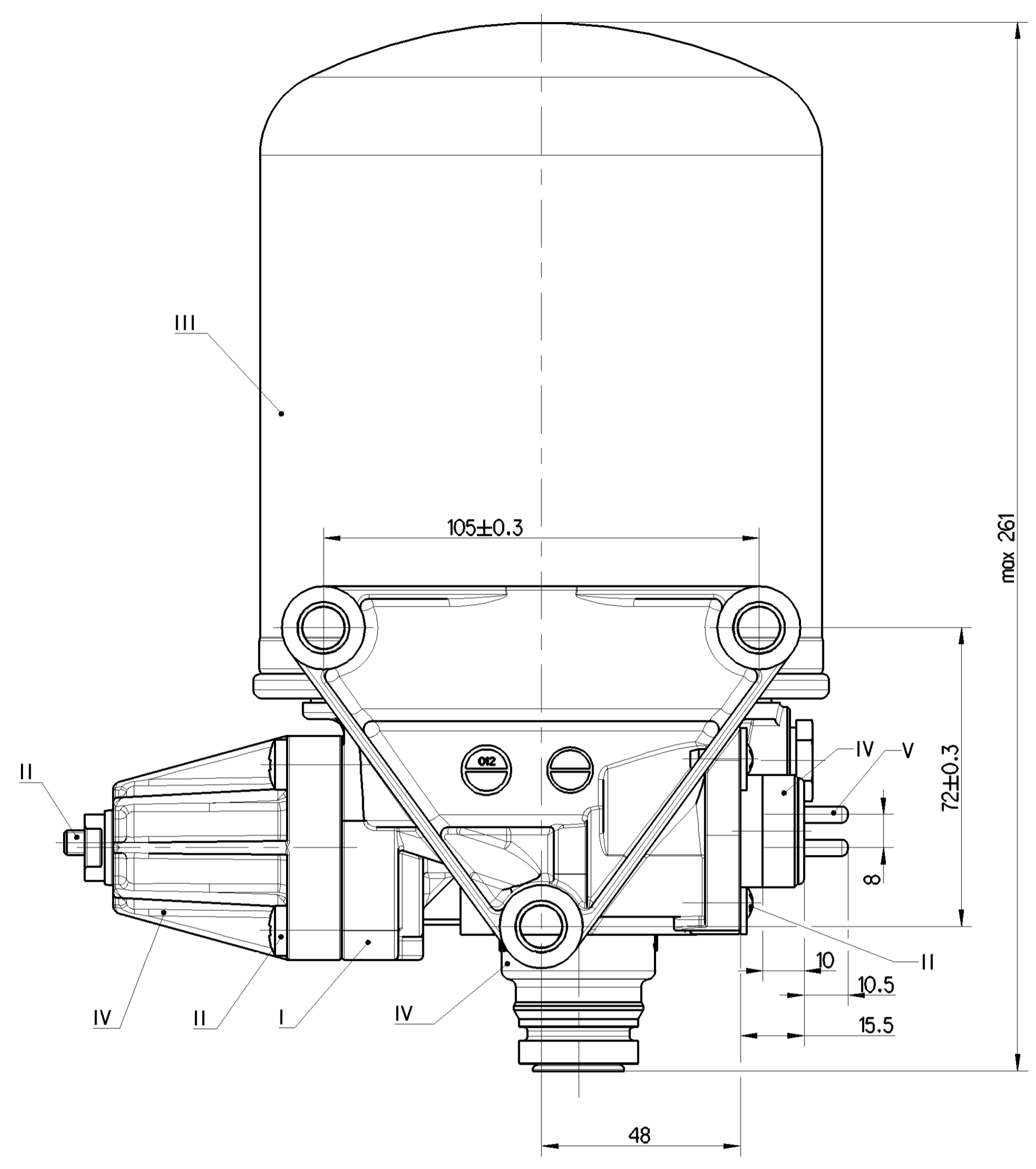
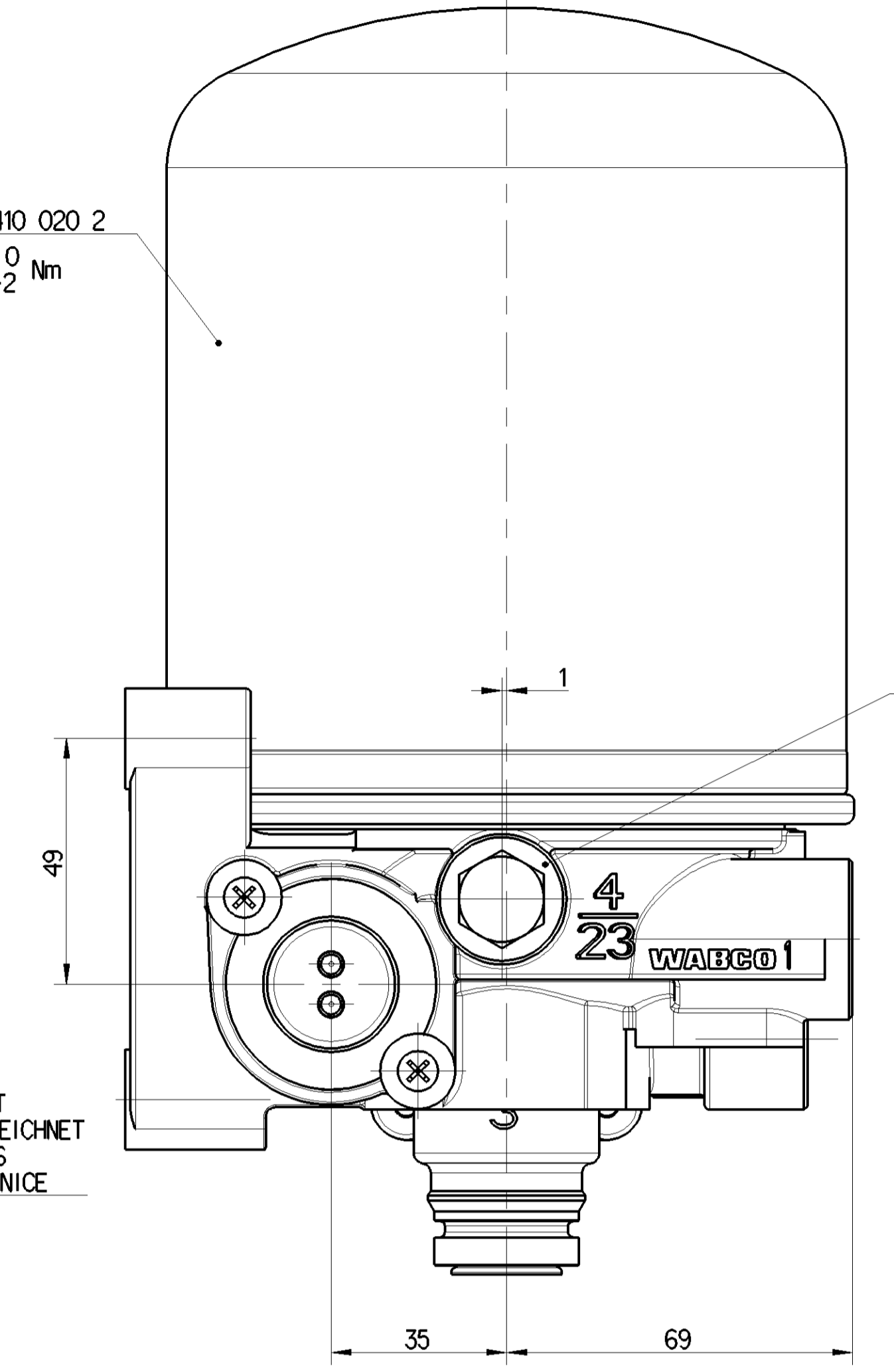


PART CODE	MATERIAL	SURFACE PROTECTION
I	ALUMINIUM ALLOY	CHROMATED
II	STEEL	PASSIVATED
III	STEEL	PAINTED
IV	PLASTIC	NO TREATMENT
V	BRASS	SILVER COATING

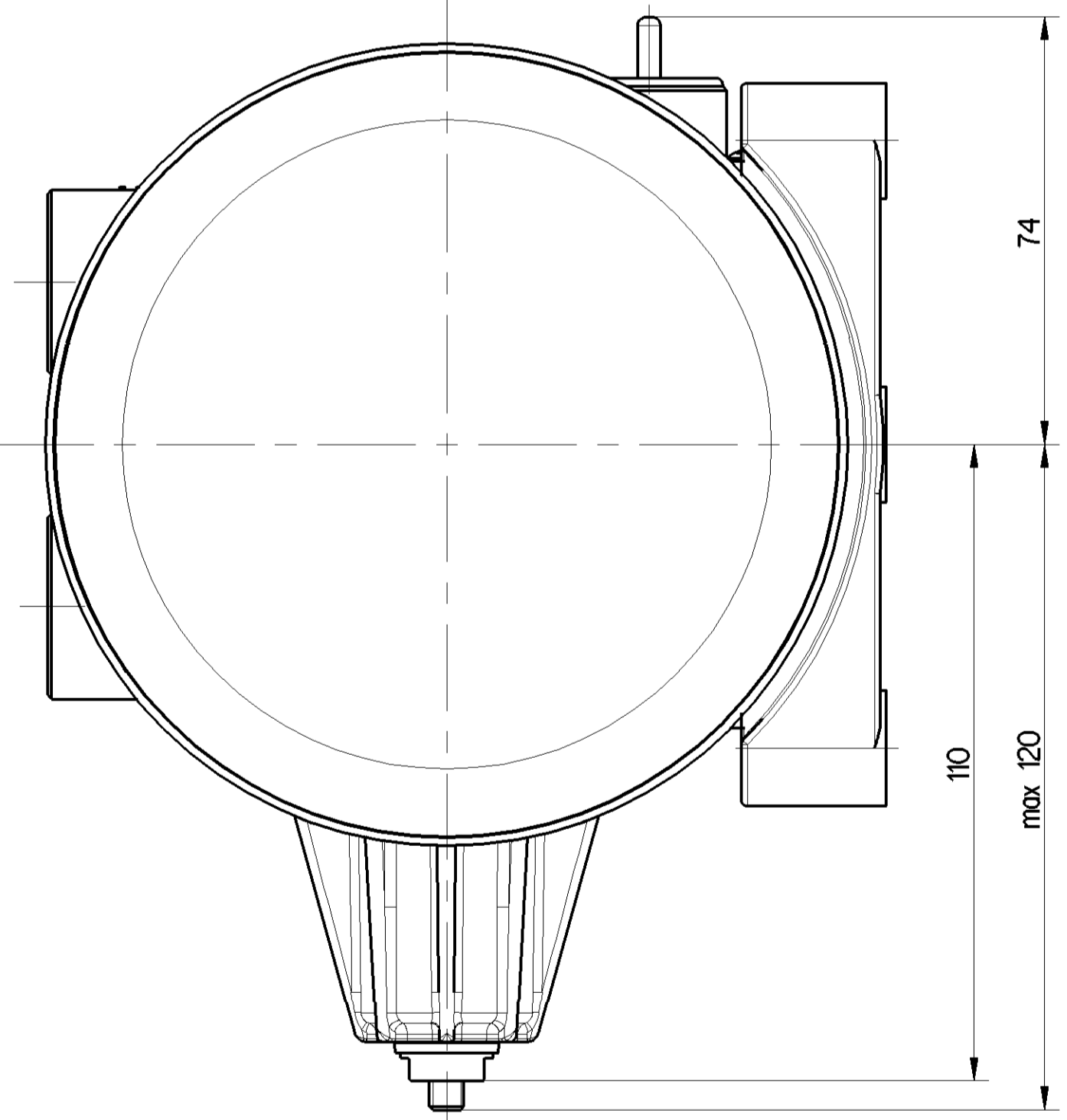


MOUNTING HEIGHT
MONTAGEHOEHE
HAUTEUR DE MONTAGE
POSIZIONE DI MONTAGGIO

432 410 020 2
M=15,0
±0,2 Nm



ADJUSTMENT MARKED WITH PAINT
EINSTELLUNG MIT LACK GEKENNZEICHNET
ADJUSTAGE MARQUE AVEC VERNIS
REGOLAZIONE MARCATO CON VERNICE



TECHNICAL DATA, TECHNISCHE DATEN, CARACTERISTIQUES TECHNIQUES, CARATTERISTICHE TECNICHE

THERMAL RANGE OF CONTINUOUS APPLICATION:
THERMISCHER DAUERANWENDUNGSBEREICH:
PLAGE DE TEMPERATURE EN UTILISATION CONTINUE:
COMPO DI APPLICAZIONE CONTINUA: -40°C... +65°C

RESISTANCE TO HEAT:
WAERMEBESTAENDIGKEIT:
RESISTANCE A LA CHALEUR:
RESISTANZA AL CALORE: +80°C MAX.

MEDIUM:
MEDIUM:
FLUIDE:
FLUIDO: COMPRESSED AIR
DRUCKLUFT
AIR COMPRIME
ARIA COMPRESSA

WORKING PRESSURE:
BETRIEBSDRUCK:
PRESSION DE SERVICE:
PRESSIONE D'ESERCIZIO: Pe MAX.=13 bar

MAX. PERMISSIBLE FREQUENCY:
MAX. ZULAESSIGE FREQUENZ:
MAX. ADMISSIBLE FREQUENZE:
MAX. AMMISSIBILE FREQUENZA: 50 Hz

MAX. PERMISSIBLE ACCELERATION:
MAX. ZULAESSIGE BESCHLEUNIGUNG:
ACCELERATION MAX. ADMISSIBILE:
ACCELERAZIONE MAX. AMMESSA: ±10 xg

DYNAMIC PRESSURE OF SAFETY VALVE:
STAEDRUCK DES SICHERHEITSVENTILES:
PRESSION DYNAMIQUE DU SOUPEPE DE SECURITE:
PRESSIONE DINAMICA DELLA VALVOLA DI SICUREZZA: 10⁴₀ bar (BY 1/100 dln²/min)

TORQUES FOR CONNECTIONS:
ANZUNGSOMENT FUER EINSCHRAUBSTUTZEN:
COUPLE DE SERRAGE DES RACCORDS:
COPPIA DI SERRAGGIO DEI RACCORDI: M12x1.5: Mmax = 21 Nm
M22x1.5: Mmax = 53 Nm

PERMITTED SILENCER:
FREIGELEGEBENER GERAEUSCHDAEMPFFER:
SILENCIEUX PERMIS:
SILENZIATORE AMMESSO: 432 407 012 0
432 407 070 0

COMBINED UNLOADER
DRUCKREGLER
REGULATEUR DE PRESSION
GRUPPO DI REGOLAZIONE: 8.1±0.2 bar

OUT OUT PRESSURE:
ABSCHALTDRUCK:
PRESSION D'OUVERTURE:
PRESSIONE D'APERTURA: 0.6^{+0.4}₀ bar

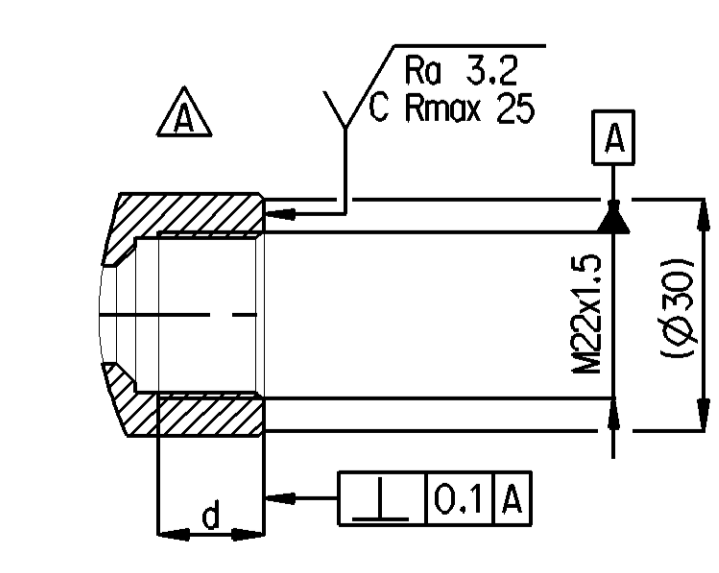
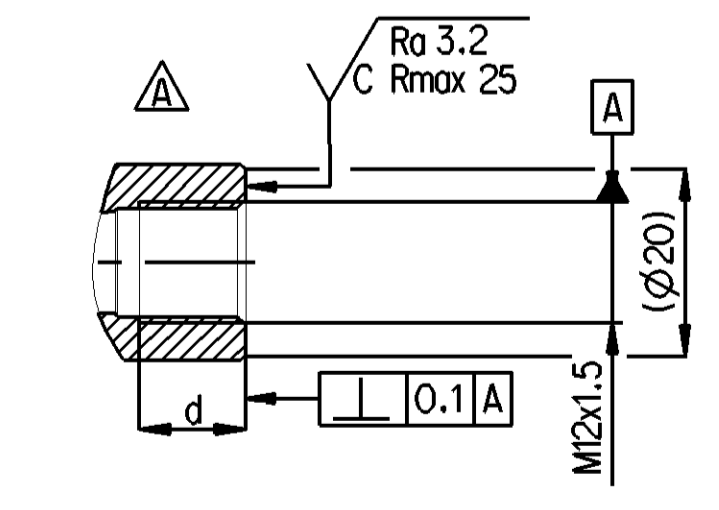
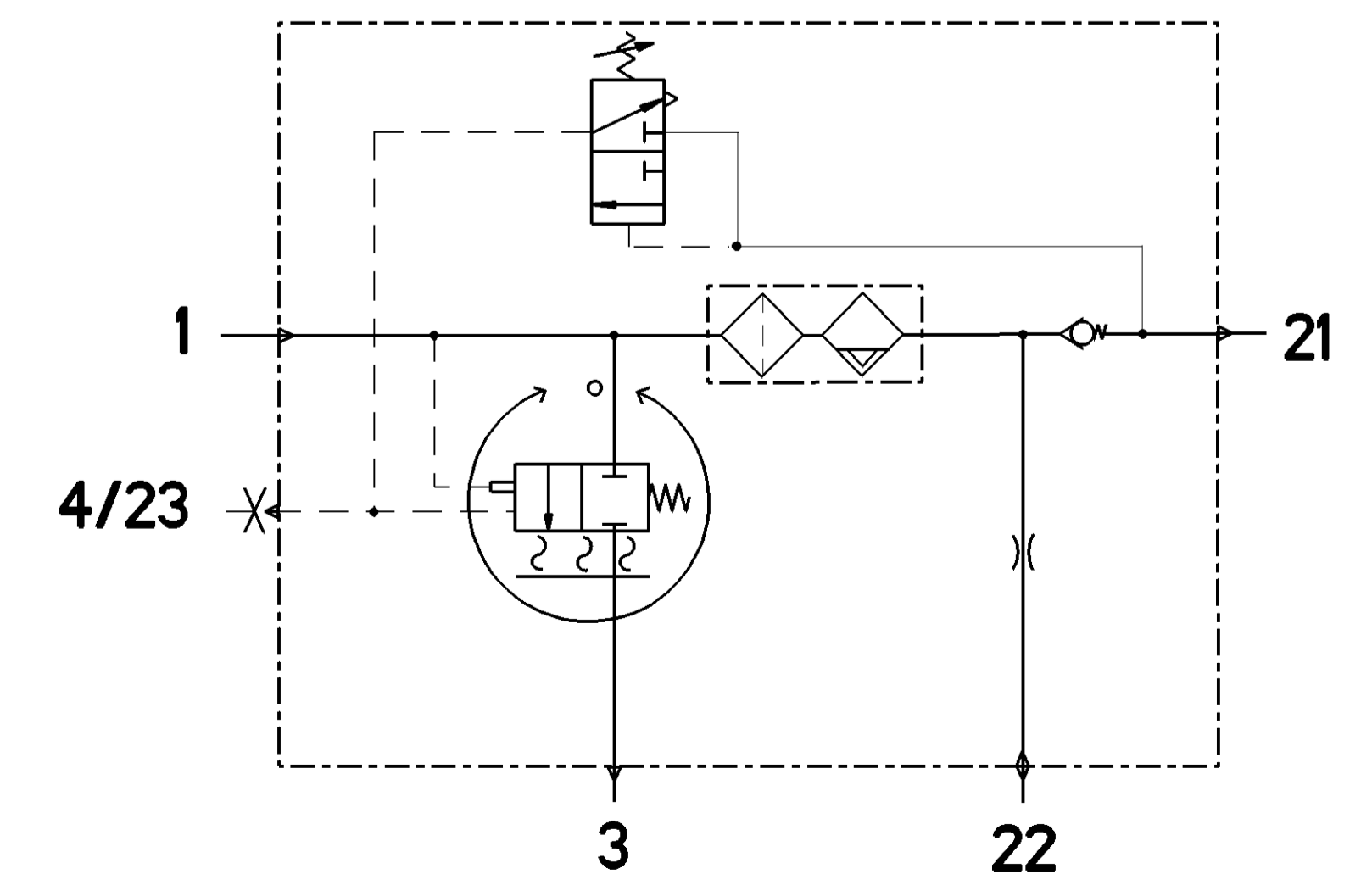
OPERATING RANGE:
SCHALTSPANNE:
PLAGE DE REGULATION:
GAMME DI REGOLAZIONE: 0.6^{+0.4}₀ bar

HEATING:
HEIZUNG:
CHAUFFAGE:
RISCALDAMENTO: NOMINAL POWER:
NENNLEISTUNG:
PUISSANCE NOMINALE:
POTENZA NOMINALE: 100W

BATTERY VOLTAGE:
BATTERIESPANNUNG:
TENSION DE BATERIA:
TENSIONE DI BATERIA: 12.0 V DC

CUT IN TEMPERATURE:
EINSCHALT - TEMPERATUR:
TEMPERATURE DE FERMETURE:
TEMPERATURA DI CHIUSURA: 7 ±6 °C

CUT OUT TEMPERATURE:
AUSSCHALT-TEMPERATUR:
TEMPERATURE DE MISE:
TEMPERATURA DI APERTURA: 29.5 ±3.0 °C



PORT ANSCHLUSSE ORIFIZIO	FUNCTION FUNCTION FONCTION FUNZIONE	THREAD GEWINDE FILETTATURA
1	FROM THE COMPRESSOR VOM LUFTPRESSER PROVENANT DU COMPRESSEUR PROVENIENTE DEL COMPRESSORE	M22x1.5 d=15
21	TO THE RESERVOIRS ZU DEN LUFTBEHAELTERN AUX RESERVOIR AL SERBATOII PER	M22x1.5 d=16
22	TO THE RESERVOIRS FOR REGENERATED AIR ZUM REGENERATIONS-LUFTBEHAELTER AUX RESERVOIRS D'AIR REGENERE AL SERBATOII PER L'ARIA RIGENERATA	M12x1.5 d=12
3	EXHAUST FOR COMPRESSED AIR ENTLUEFTUNG FUER DRUCKLUFT ECHAPPEMENT POUR AIR COMPRI SCARIO PER ARIA COMPRESSA	-
4/23	CONTROL PORT / TO COMPRESSOR STEUERANSCHLUSS / ZUM KOMPRESSOR ORIFICE DE COMMANDE / AU COMPRESSEUR ORIFIZIO DI COMANDO / A COMPRESSORE	- CLOSED - VERSCHLOSSEN - FERMEE - CHIUSO M12x1.5 d=12
6	HEATER HEIZUNG CHAUFFAGE RISCALDAMENTO	M27x1

General Specification: ISO 8015, A5-334-1, Size ISO 14405 LP	Copyright WABCO	WABCO
Further Technical Data: Product Specification	Date: 2022-06-29	System: AIR DRYER
Doc. Code: 025	Sheet: 1 To 4	LUFTTROCKNER
General Tolerances: ISO 2011	2022-09-09	DESSICATEUR D'AIR
Range of nominal dimensions in mm	201 x 193 x 152	ESSICCATORE D'ARIA
Class: 11 ± 50	120 ± 180	400 ± 400
Final: ±0.05	±0.1	±0.15
Medium: X ±0.1	±0.2	±0.3
Coarse: ±0.2	±0.5	±0.5
Surface: Ra 3.2	C Rmax 25	
Scale: 1:1	4.23	1:1
Trapped Holes acc. AED-TSC	0.075	0.075
Tolerance class: Special (Predefined)	A 0	CREO
Material No.:	432 410 127 0	Date of first issue: 2019-09-18
Doc. Code: Language:	005 ML	Sheet: 1/1
Revision:	4 x A	5050
Replacement for:	replaced from 43240120	