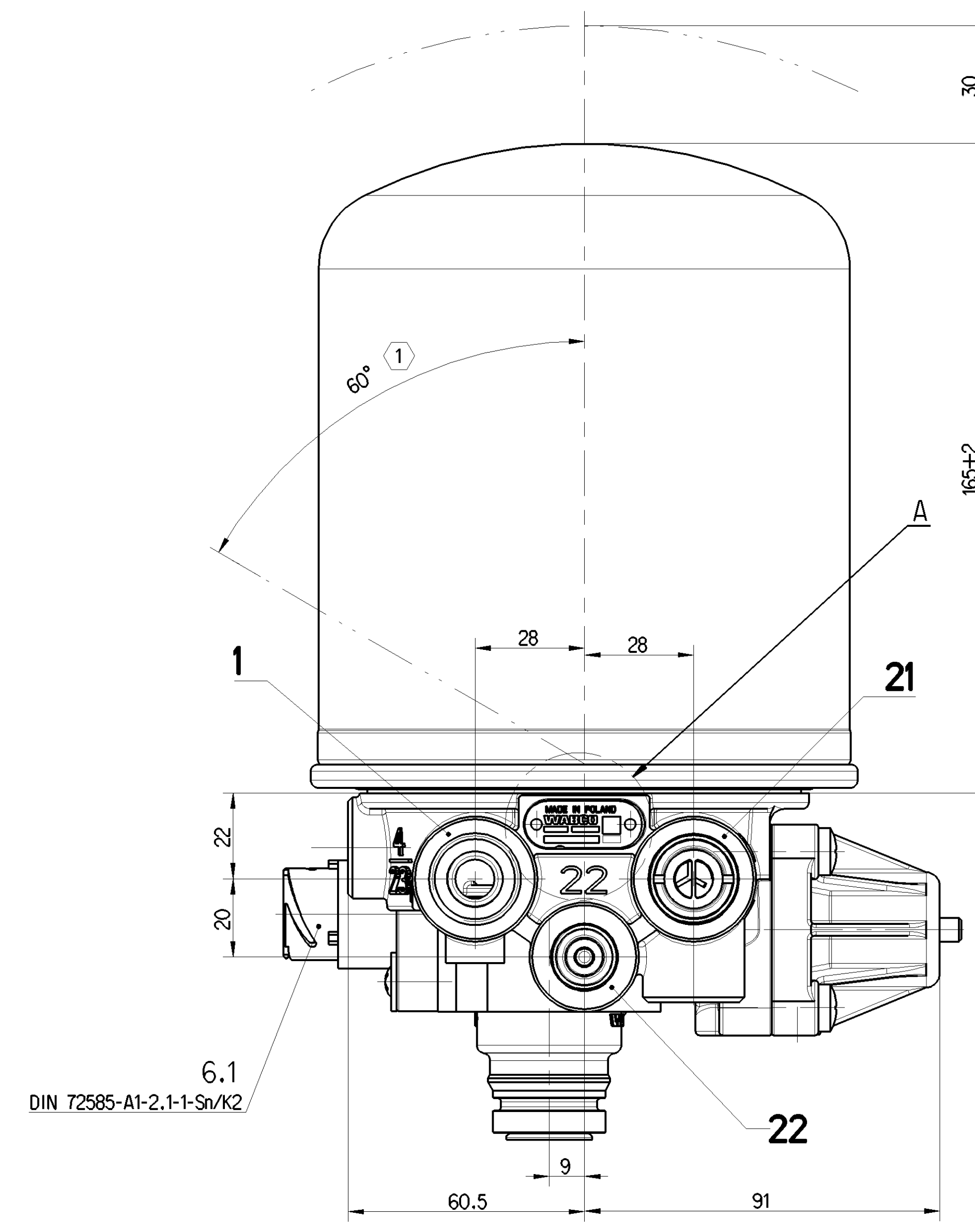
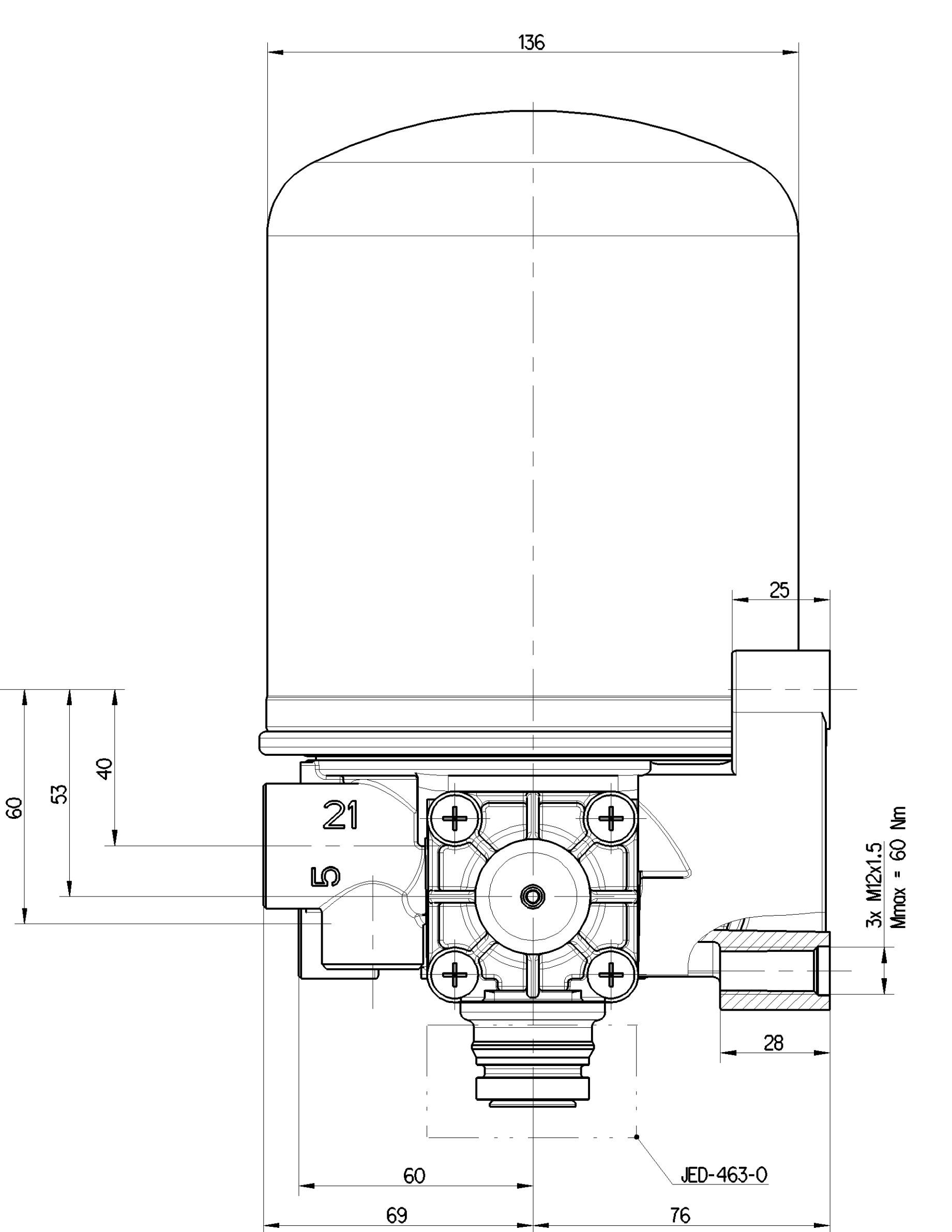
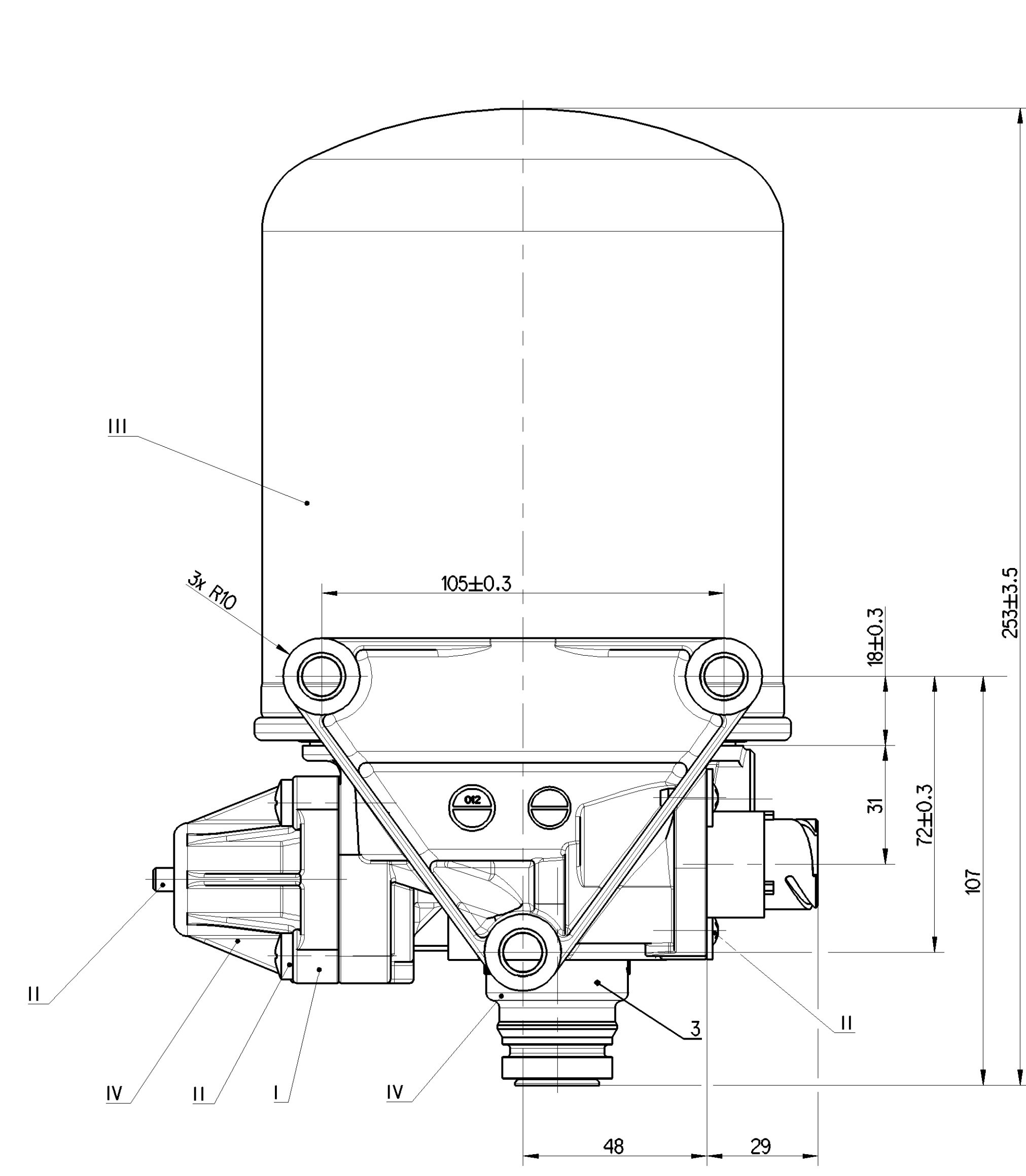
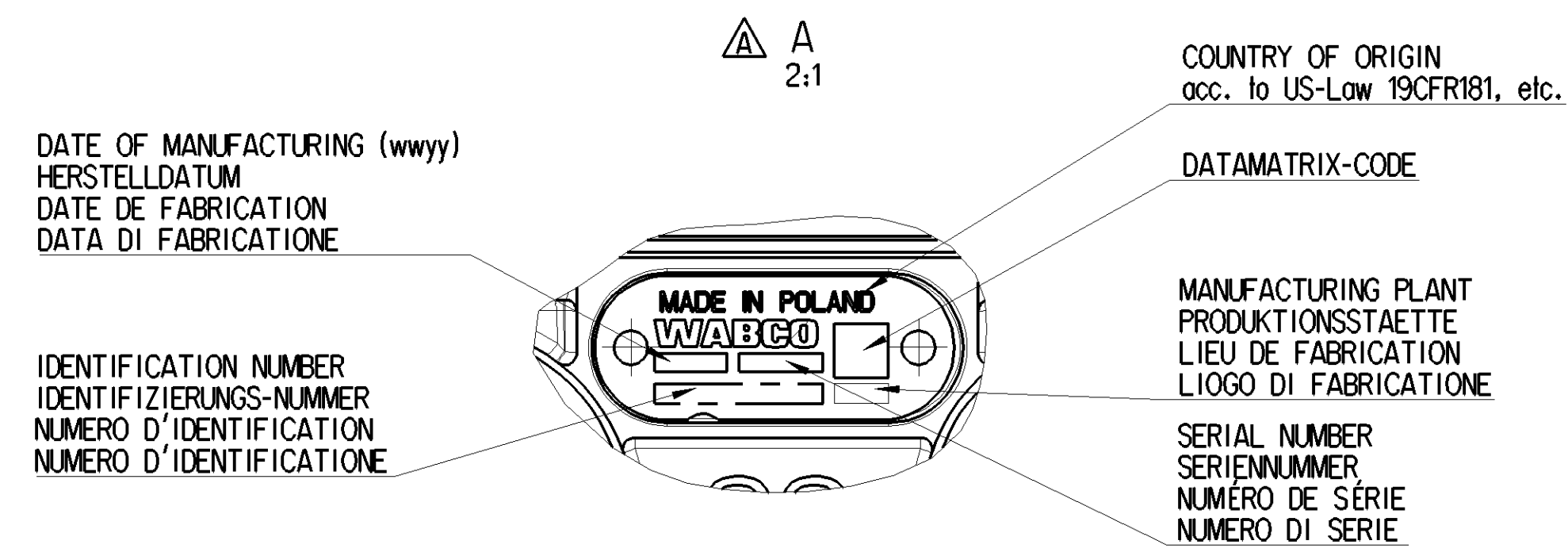
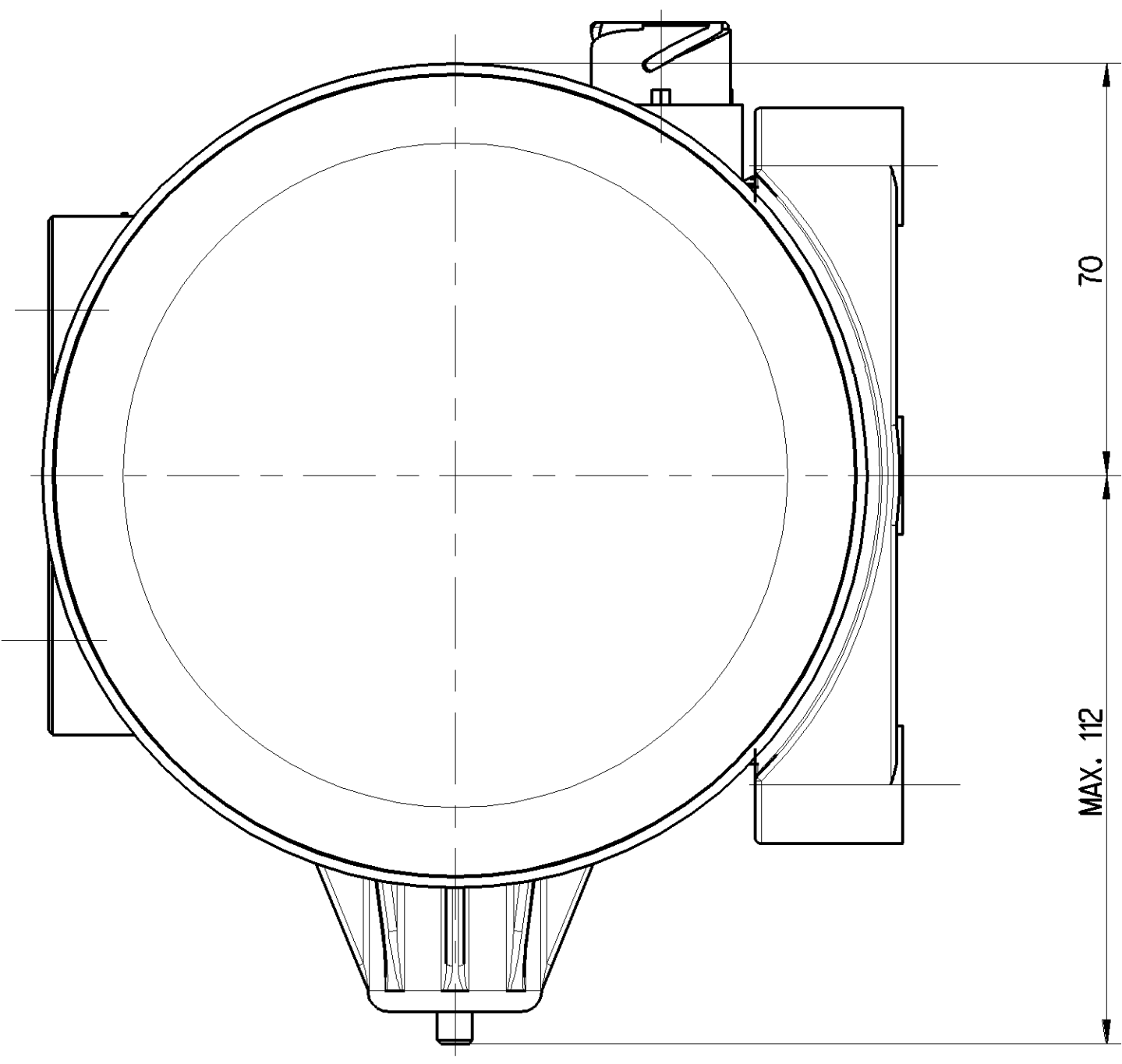
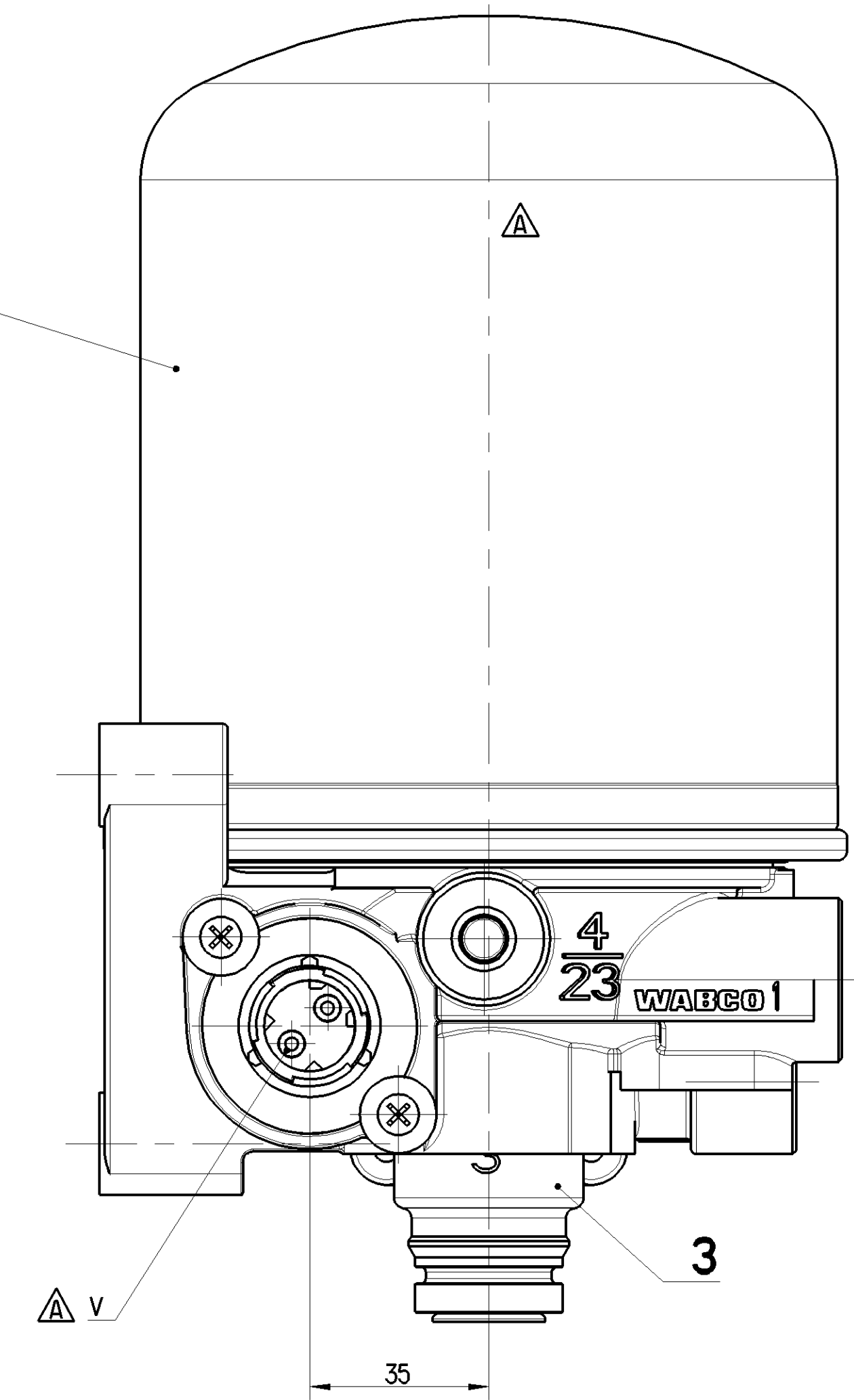


PART CODE	MATERIAL	SURFACE PROTECTION
I	ALUMINIUM ALLOY	CHROMATED
II	STEEL	ZINC PLATED
III	STEEL	PAINTED
IV	PLASTIC	NO TREATMENT
V	BRASS	TIN AND COPPER COATING



MOUNTING HEIGHT  
MONTAGEHÖHE  
HAUTEUR DE MONTAGE  
POSIZIONE DI MONTAGGIO

432 410 244 2  
M = 15.0 Nm



TECHNICAL DATA, TECHNISCHE DATEN, CARACTERISTIQUES TECHNIQUES, CARATTERISTICHE TECNICHE

**THERMAL RANGE OF CONTINUOUS APPLICATION:**  
THERMISCHER DAUERANWENDUNGSBEREICH:  
PLAGE DE TEMPERATURE EN UTILISATION CONTINUE:  
COMPO DI APPLICAZIONE CONTINUA: -40°C... +65°C

**RESISTANCE TO HEAT:**  
WÄRMEBESTÄNDIGKEIT:  
RESISTANCE A LA CHALEUR:  
RESISTENZA AL CALORE: +80°C MAX.

**MEDIUM:** COMPRESSED AIR  
MEDIUM: DRUCKLUFT  
FLUIDE: AIR COMPRIME  
FLUIDO: ARIA COMPRESSA

**WORKING PRESSURE:**  
BETRIEBSDRUCK:  
PRESSION DE SERVICE:  
PRESSIONE D'ESERCIZIO: Pe MAX. = 13 bar

**MAX. PERMISSIBLE FREQUENCY:**  
MAX. ZULÄSSIGE FREQUENZ  
MAX. ADMISSIBLE FREQUENZE  
MAX. AMMISSIBILE FREQUENZA: 50 Hz

**MAX. PERMISSIBLE ACCELERATION:**  
MAX. ZULÄSSIGE BESCHLEUNIGUNG  
ACCELERATION MAX. ADMISSIBILE  
ACCELERAZIONE MAX. AMMESSA: ± 10 g

**DYNAMIC PRESSURE OF SAFETY VALVE:**  
STAUDRUCK DES SICHERHEITSVENTILES:  
PRESSION DYNAMIQUE DU SOUPAPE DE SECURITE:  
PRESSIONE DINAMICA DELLA VALVOLA DI SICUREZZA: 14<sup>1.4</sup><sub>0</sub> bar (BEI  $\dot{V}_n = 100 \text{ dm}^3/\text{min}$ )

**TORQUES FOR CONNECTIONS:**  
ANZUGSMOMENT FLIER EINSCHRAUBSTUTZEN:  
COUPLE DE SERRAGE DES RACCORDS  
COPPIA DI SERRAGGIO DEI RACCORDI:  
M12x1.5; Mmax = 21 Nm  
M16x1.5; Mmax = 34 Nm  
M22x1.5; Mmax = 53 Nm

**INSTALLATION POSITION AS DRAWN:**  
EINBAULAGE WIE GEZEICHNET  
POSITION D'INSTALLATION SUIVANT DESSIN  
POSIZIONE DI MONTAGGIO COME DISEGNATO: 12.5±0.2 bar

**PERMITTED SILENCER:**  
FREIIGEBOENNER GERÄUSCHDAEMFFER  
SILENCIEUX PERMIS  
SILENZIATORE AMMESSO: 432 407 012 0

**COMBINED UNLOADER:**  
DRUCKREGLER  
REGULATEUR DE PRESSION  
GRUPPO DI REGOLAZIONE: 1.3<sup>+0.7</sup><sub>0</sub> bar

**CUT OUT PRESSURE:**  
ABSCHALTDRUCK  
PRESSION D'OUVERTURE  
PRESSIONE D'APERTURA: 29.5 ± 3.0 °C

**OPERATING RANGE:**  
SCHALTSPANNE  
PLAGE DE REGULATION  
GAMME DI REGULAZIONE: 7 ± 6 °C

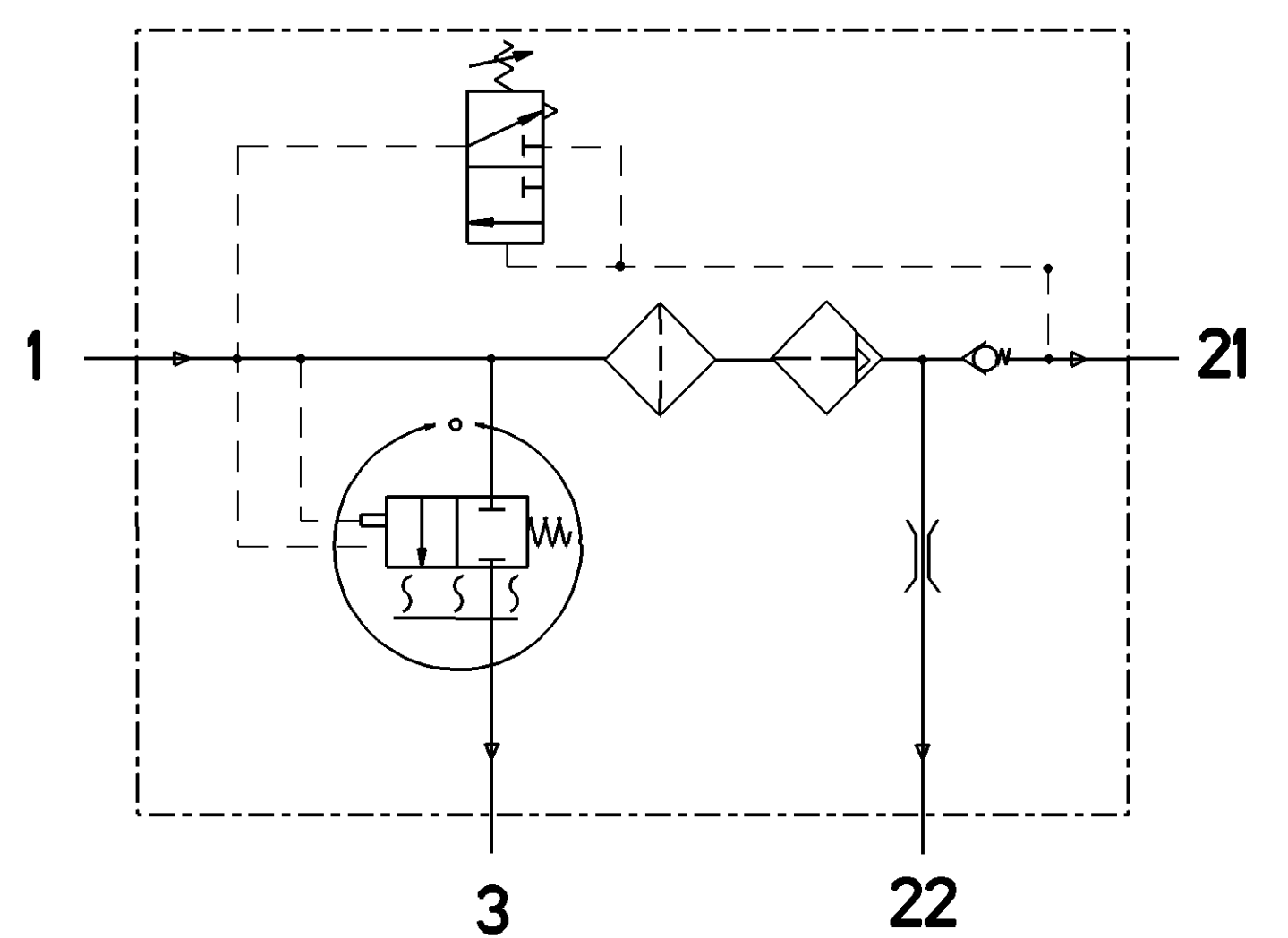
**HEATING:**  
HEIZUNG:  
CHAUFFAGE:  
RISCALDAMENTO: 100W

**POWER:**  
LEISTUNG:  
PUISSANCE:  
POTENZA: 24.0<sup>+4.8</sup><sub>-2.4</sub> V DC

**VOLTAGE:**  
SPANNUNG:  
VOLTAGE:  
VOLTAGGIO: 7 ± 6 °C

**CUT IN TEMPERATURE:**  
EINSCHALT - TEMPERATUR  
TEMPERATURE DE FERMETURE  
TEMPERATURA DI CHIUSURA: 29.5 ± 3.0 °C

**CUT OUT TEMPERATURE:**  
AUSSCHALT-TEMPERATUR  
TEMPERATURE DE MISE  
TEMPERATURA DI APERTURA: 7 ± 6 °C



PORT ANSCHLUSS ORIFICE ORIFIZIO	FUNCTION FUNCTION FONCTION FUNZIONE	THREAD GEWINDE FILETTATURA
1	FROM THE COMPRESSOR VOM KOMPRESSOR PROVENANT DU COMPRESSEUR PROVENIENTE DEL COMPRESSORE	M22x1.5 JED-388
21	TO THE RESERVOIRS ZU DEN LUFTRBEHALTERN AUX RESERVOIR AL SERBATOII PER	M22x1.5 JED-388
22	TO RESERVOIR FOR REGENERATION AIR ZUM REGENERATIONS-LUFTRBEHALTER AU RESERVOIR D'AIR DE REGENERATION AL SERBATOII PER L'ARIA RIGENERATA	M16x1.5 JED-388
3	EXHAUST FOR COMPRESSED AIR ENTLUEFTUNG FLIER DRUCKLUFT ECHAPPEMENT POUR AIR COMPRIME SCARICO PER ARIA COMPRESSA	
4	NOT MACHINED NICHT BEARBEITET SANS USINAGE SENZA LAVORAZIONE	
5	NOT MACHINED NICHT BEARBEITET SANS USINAGE SENZA LAVORAZIONE	
23	NOT MACHINED NICHT BEARBEITET SANS USINAGE SENZA LAVORAZIONE	
6.1	HEATING HEIZUNG CHAUFFAGE RISCALDAMENTO	

General Specification: ISO 8015, A3-334-1, Size ISO 14405 LP	Copyright: wabco®	<b>WABCO</b>
Further Technical Data: Product Specification	Date: 2022-08-03	AIR DRYER
Doc. Code: 026	Sheet: 1 To 4	LUFFTROCKNER
General Tolerances: ISO 2013	Author: Kuryski	DESSICATEUR D' AIR
Range of nominal dimensions in mm	2022-09-09	ESSICCATORE D' ARIA
Small: 50, 60, 80, 100, 120, 150, 200, 250, 300, 400, 500	Revision: Koszowa	
Medium: 1, 1.5, 2, 2.5, 3, 3.5, 4, 4.5, 5, 5.5, 6, 6.5, 7, 7.5, 8, 8.5, 9, 9.5, 10, 10.5, 11, 11.5, 12, 12.5, 13, 13.5, 14, 14.5, 15, 15.5, 16, 16.5, 17, 17.5, 18, 18.5, 19, 19.5, 20, 20.5, 21, 21.5, 22, 22.5, 23, 23.5, 24, 24.5, 25, 25.5, 26, 26.5, 27, 27.5, 28, 28.5, 29, 29.5, 30, 30.5, 31, 31.5, 32, 32.5, 33, 33.5, 34, 34.5, 35, 35.5, 36, 36.5, 37, 37.5, 38, 38.5, 39, 39.5, 40, 40.5, 41, 41.5, 42, 42.5, 43, 43.5, 44, 44.5, 45, 45.5, 46, 46.5, 47, 47.5, 48, 48.5, 49, 49.5, 50	Scale: 1:1 (2:1)	432 410 166 0
Large: 1, 1.5, 2, 2.5, 3, 3.5, 4, 4.5, 5, 5.5, 6, 6.5, 7, 7.5, 8, 8.5, 9, 9.5, 10, 10.5, 11, 11.5, 12, 12.5, 13, 13.5, 14, 14.5, 15, 15.5, 16, 16.5, 17, 17.5, 18, 18.5, 19, 19.5, 20, 20.5, 21, 21.5, 22, 22.5, 23, 23.5, 24, 24.5, 25, 25.5, 26, 26.5, 27, 27.5, 28, 28.5, 29, 29.5, 30, 30.5, 31, 31.5, 32, 32.5, 33, 33.5, 34, 34.5, 35, 35.5, 36, 36.5, 37, 37.5, 38, 38.5, 39, 39.5, 40, 40.5, 41, 41.5, 42, 42.5, 43, 43.5, 44, 44.5, 45, 45.5, 46, 46.5, 47, 47.5, 48, 48.5, 49, 49.5, 50	Material No. 005 ML 1/1	005 ML 1/1
Tapped Holes acc. JED-388	Scale: A 0	432 410 166 0
Tolerance Class: Special (Preservation)	Scale: 4 x A	5050