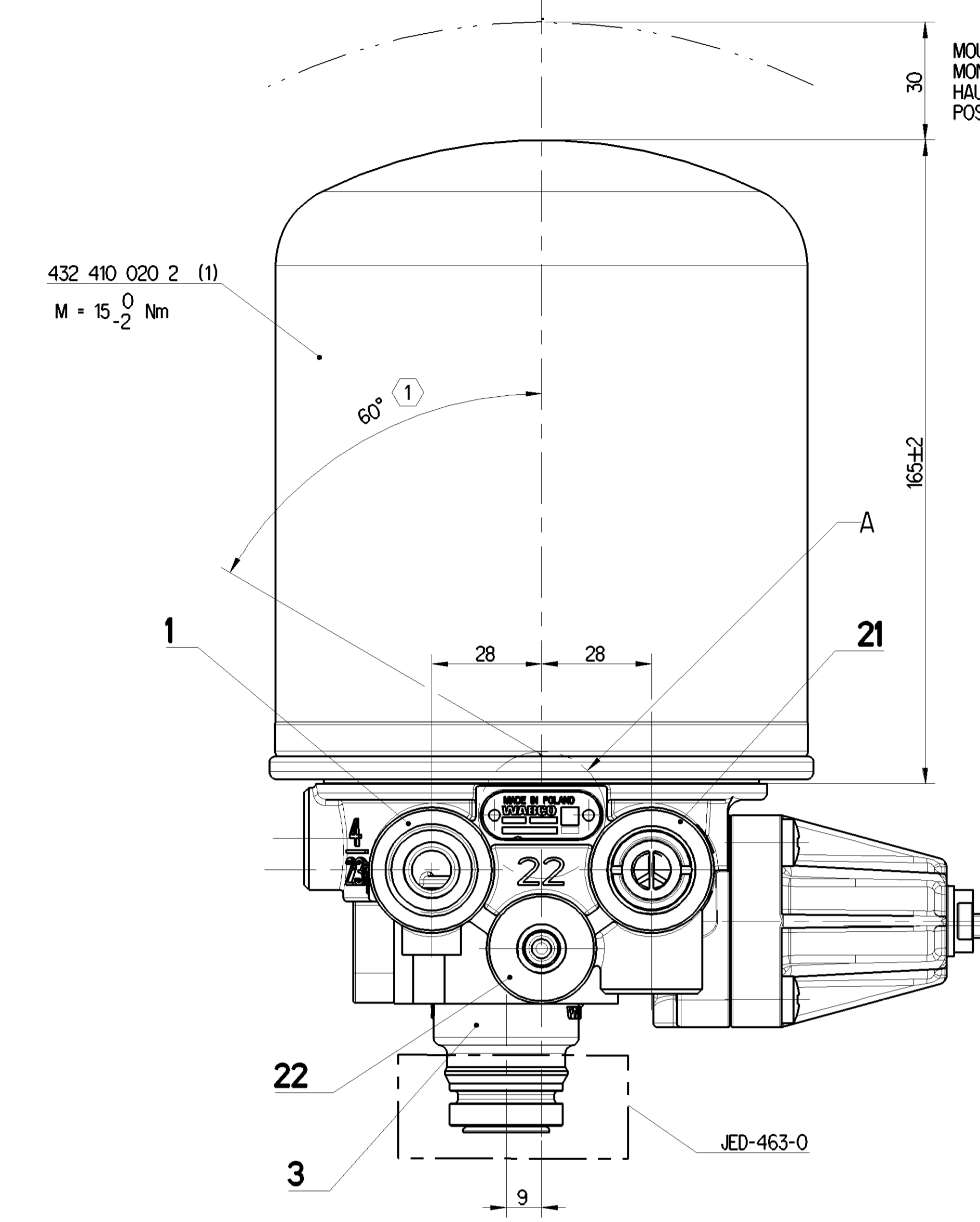
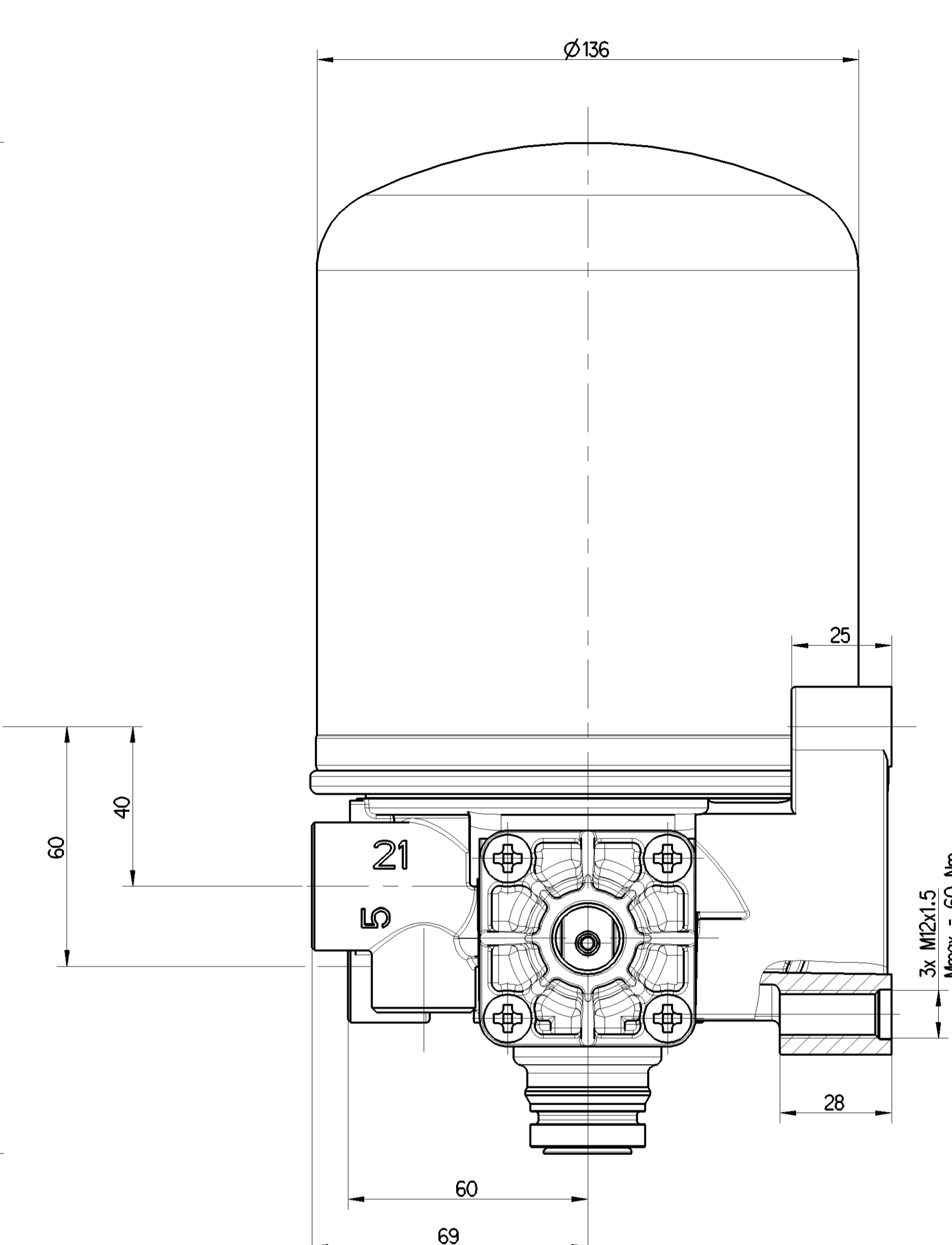
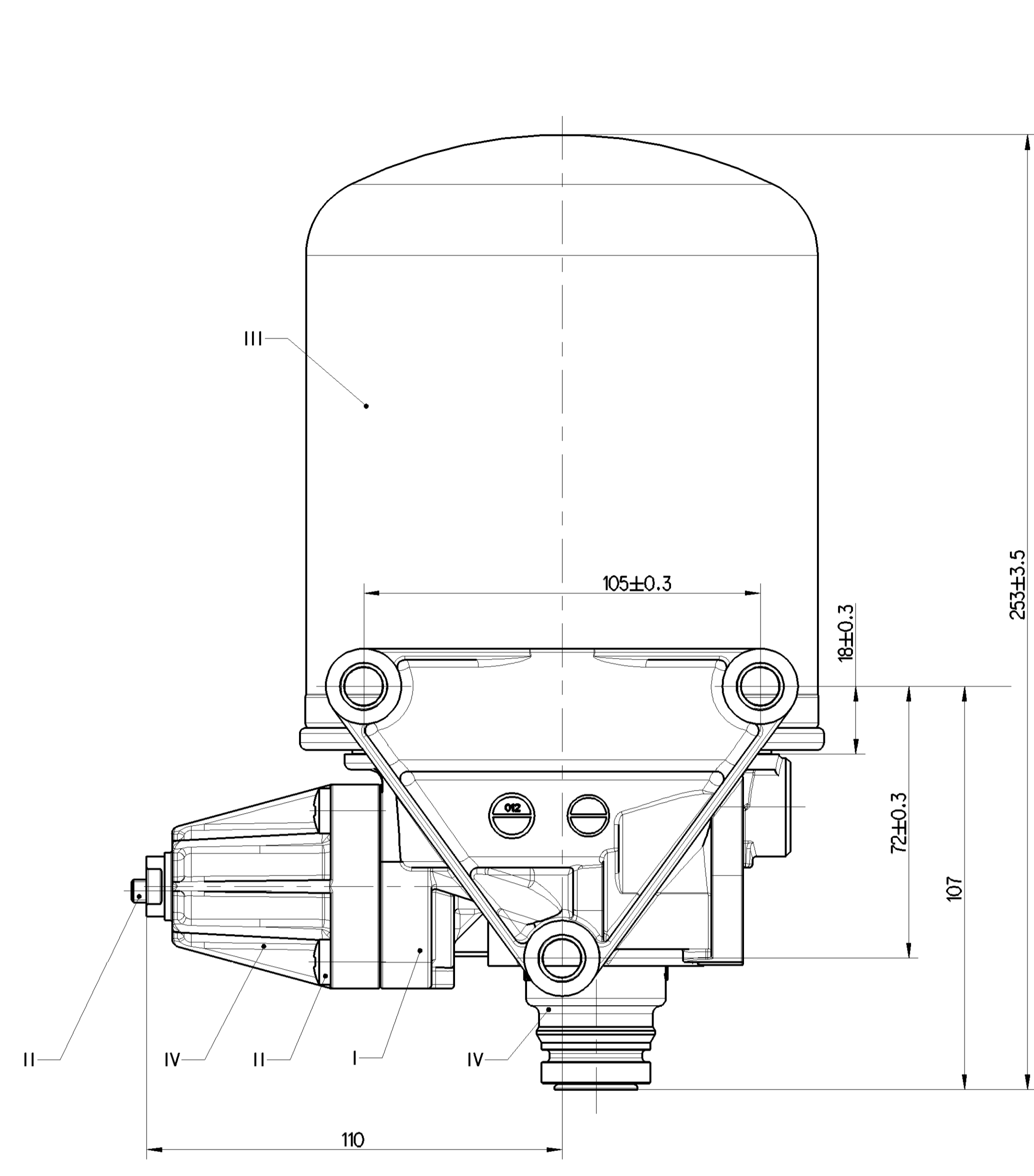
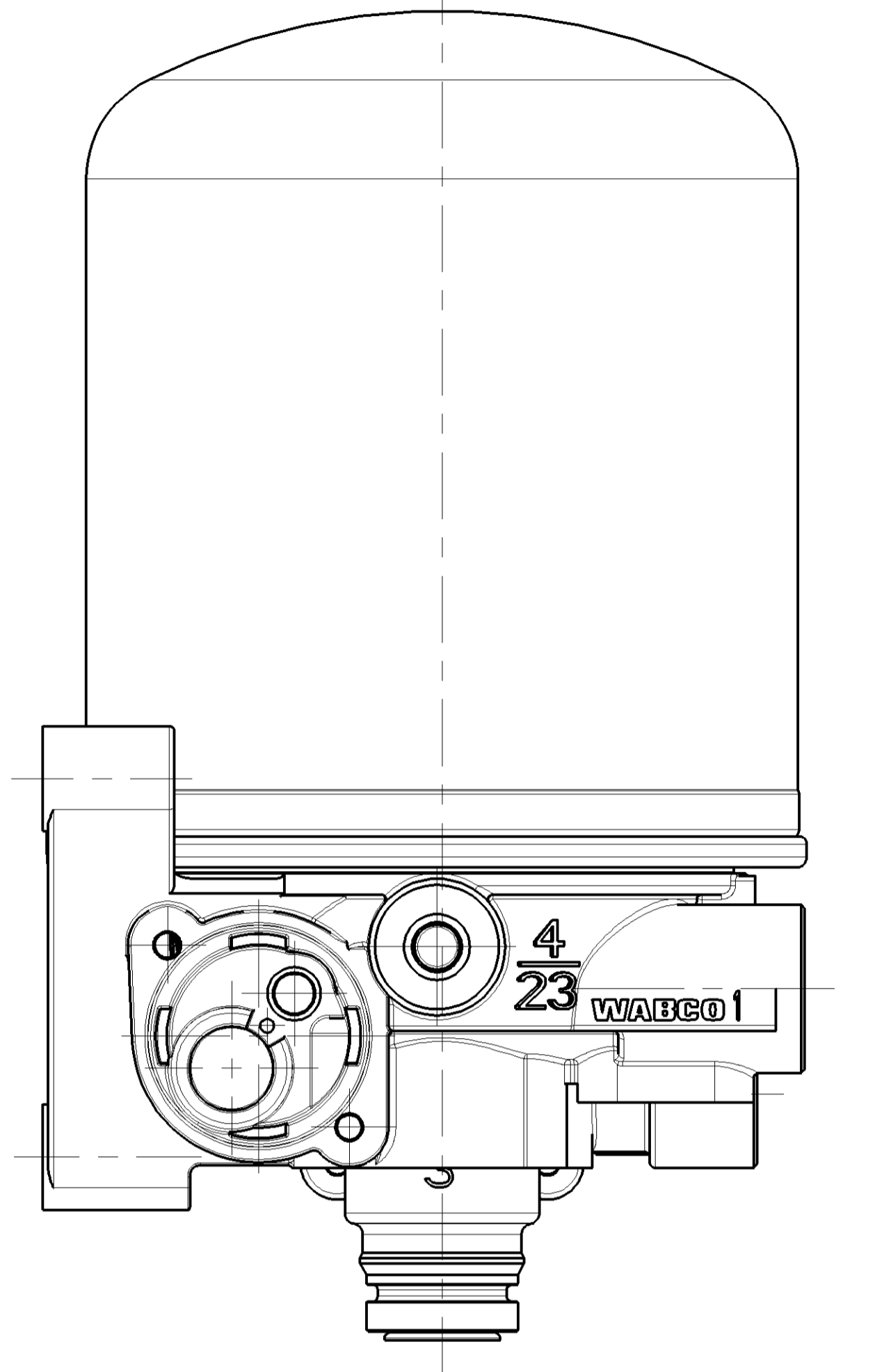


PART CODE	MATERIAL	SURFACE PROTECTION
I	ALUMINIUM ALLOY	CHROMATED
II	STEEL	ZINK PLATED
III	STEEL	PAINTED
IV	PLASTIC	NO TREATMENT

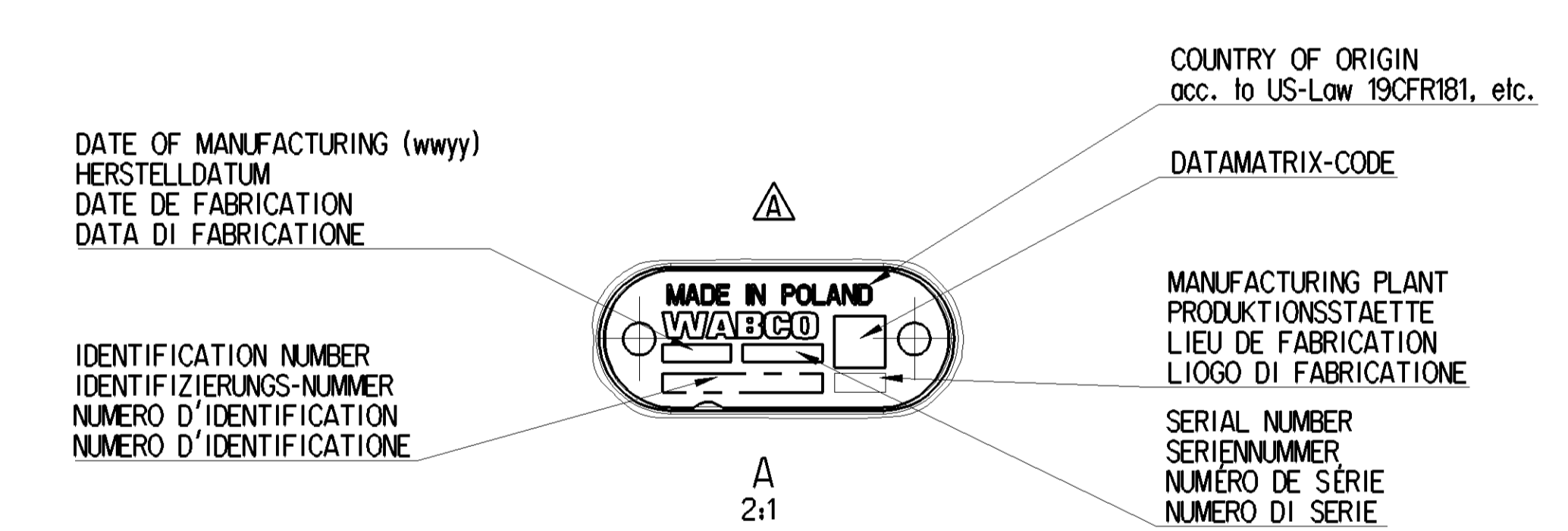
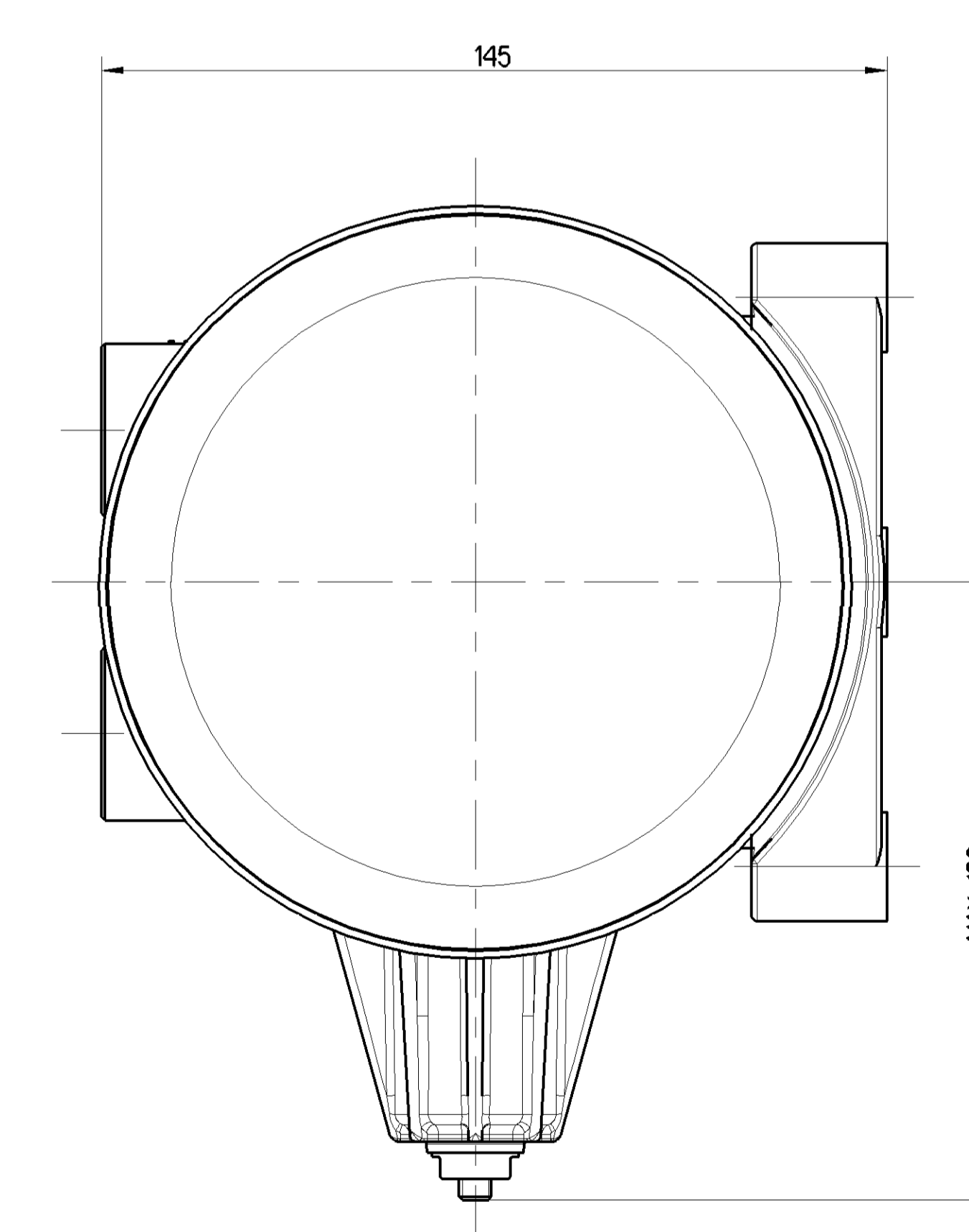


MOUNTING HEIGHT  
MONTAGEHOEHE  
HAUTER DE MONTAGE  
POSIZIONE DI MONTAGGIO

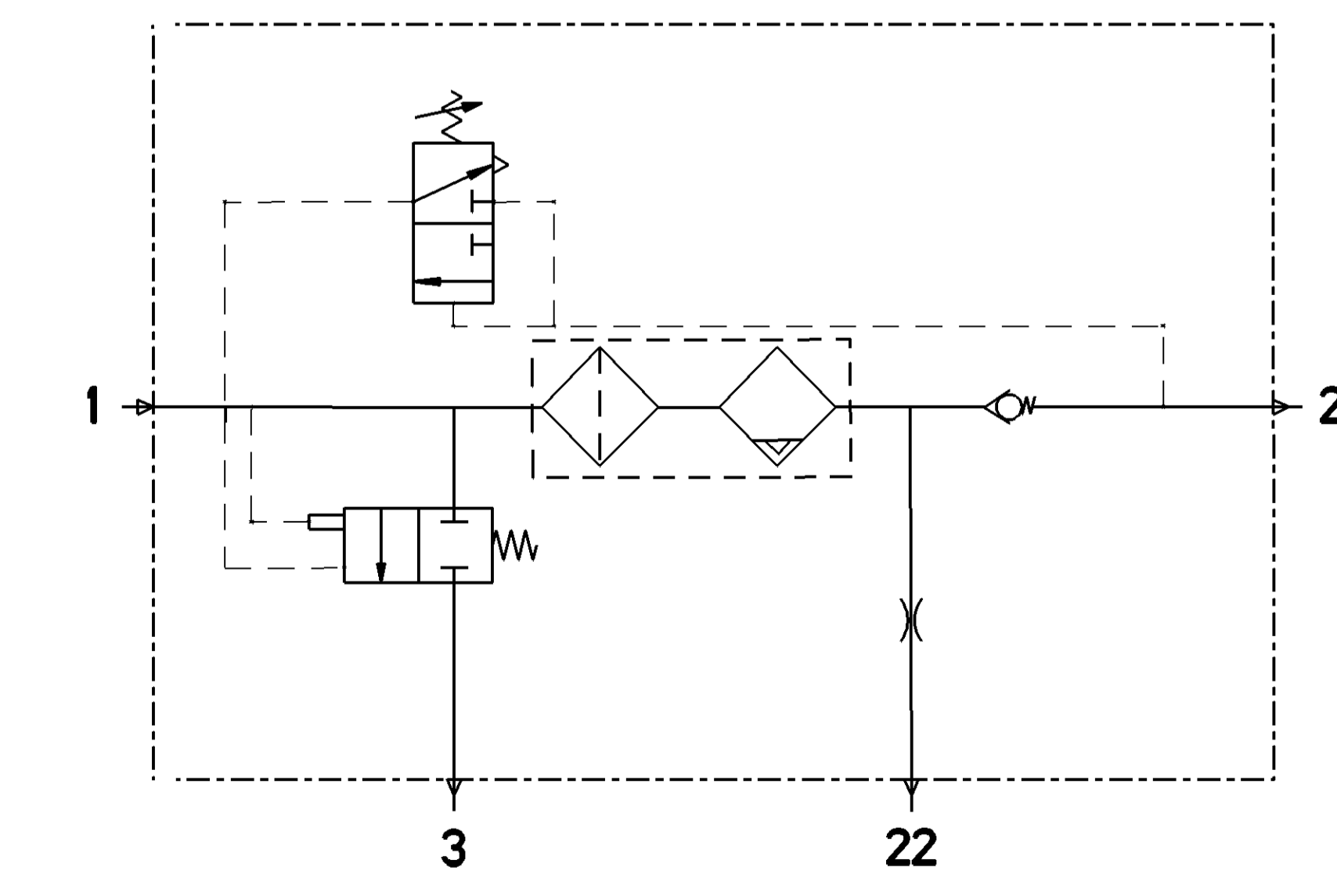
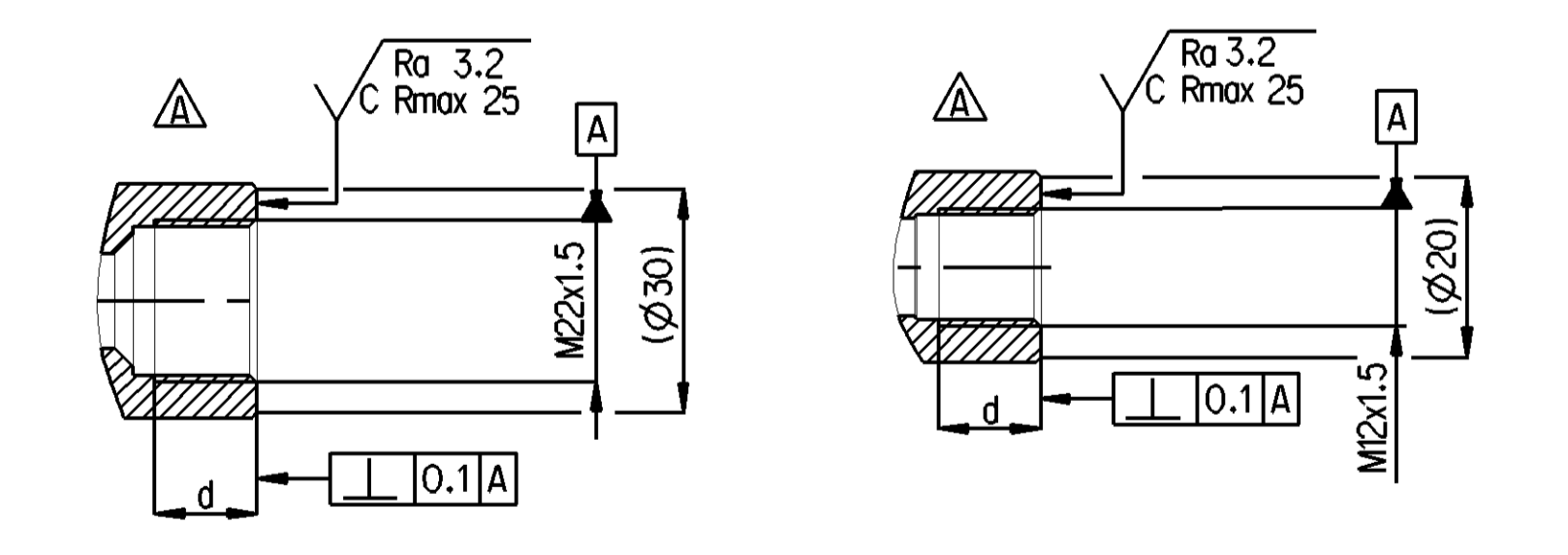


TECHNICAL DATA, TECHNISCHE DATEN, CARACTERISTIQUES TECHNIQUES, CARATTERISTICHE TECNICHE

THERMAL RANGE OF CONTINUOUS APPLICATION: THERMISCHER DAUERANWENDUNGSBEREICH: PLAGE DE TEMPERATURE EN UTILISATION CONTINUE: COMPO DI APPLICAZIONE CONTINUA:	-40°C... +65°C
RESISTANCE TO HEAT: WAERMEBESTAENDIGKEIT: RESISTANCE A LA CHALEUR: RESISTANZA AL CALORE:	+80°C MAX
MEDIUM: COMPRESSED AIR MEDIUM: DRUCKLUFT FLUIDE: AIR COMPRIME FLUIDO: ARIA COMPRESSA	
WORKING PRESSURE: BETRIEBSDRUCK: PRESSION DE SERVICE: PRESSIONE D'ESERCIZIO:	Pe MAX = 13 bar
MAX. PERMISSIBLE FREQUENCY MAX. ZULAESSIGE FREQUENZ MAX. ADMISSIBLE FREQUENCE MAX. AMMISSIBILE FREQUENZA	50 Hz
MAX. PERMISSIBLE ACCELERATION MAX. ZULAESSIGE BESCHLEUNIGUNG ACCELERATION MAX. ADMISSIBILE ACCELERAZIONE MAX. AMMESSA	±10g
COMBINED UNLOADER DRUCKREGLER REGULATEUR DE PRESSION GRUPPO DI REGOLAZIONE	
CUT OUT PRESSURE ABSCHALDRUCK PRESSION D'OUVERTURE PRESSIONE D'APERATURA	8.1±0.2 bar
OPERATING RANGE SCHALTSPANNE	0.6 <sup>+0.4</sup> <sub>0</sub> bar
PLAGE DE REGULATION GAMME DI REGOLAZIONE	
DYNAMIC PRESSURE OF SAFETY VALVE: STAHLDRUCK DES SICHERHEITSVENTILES: PRESSION DYNAMIQUE DU SOUPAPE DE SECURITE: PRESSIONE DINAMICA DELLA VALVOLA DI SICUREZZA:	10 <sup>+4</sup> <sub>0</sub> bar (BEI V̇n = 100 dm <sup>3</sup> /min)
TORQUES FOR CONNECTIONS: ANZUNGMOMENT FUER EINSCHRAUBSTUTZEN: COUPLE DE SERRAGE DES RACCORDS COPPIA DI SERRAGGIO DEI RACCORDI:	M12x1.5: Mmax = 21 Nm M22x1.5: Mmax = 53 Nm



PORT ANSCHLUSS ORIFICE ORIFIZIO	FUNCTION FUNCTION FUNZIONE	THREAD GEWINDE FILETTATURA
1	FROM THE COMPRESSOR VOM KOMPRESSOR PROVENANT DU COMPRESSEUR PROVENIENTE DEL COMPRESSORE	M22x1.5 d=15
21	TO THE RESERVOIRS ZU DEN LUFTRBEHALTERN AUX RESERVOIR AL SERBATOII PER	M22x1.5 d=24.5
22	TO THE RESERVOIRS FOR REGENERATION AIR ZUM REGENERATIONS-LUFTRBEHALTER AUX RESERVOIRS D' AIR REGENERATION AL SERBATOII PER L' ARIA RIGENERATA	M12x1.5 d=12
3	EXHAUST FOR COMPRESSED AIR ENTLUEFTUNG FUER DRUCKLUFT ECHAPPEMENT POUR AIR COMPRIE SCARICO PER ARIA COMPRESSA	SILENCER



1 INSTALLATION POSITION AS DRAWN  
EINBAULAGE WIE GEZEICHNET  
POSITION D'INSTALLATION SUIVANT DESSIN  
POSIZIONE DI MONTAGGIO CONE DISEGNATO

PERMITTED SILENCER:  
FREIGELEGEBENER GERAEUSCHDAEMPFER  
SILENCIEUX PERMIS  
SILENZIATORE AMMESSO

432 407 012 0

General Specification: ISO 8015, JED-534-1, Size ISO 14405 LP	Copyright wabco®	<b>WABCO</b>
Further Technical Data: Product Specification	Date: 2022-08-04	Sheet: 1 of 4
Doc. Code: 026	2022-09-08	Koszyński
General Tolerances: JED-201	2022-09-08	Koszyński
Range of nominal dimensions in mm	1: 50, 2: 80, 3: 100, 4: 120, 5: 160, 6: 200, 7: 250, 8: 315, 9: 400	
Class: 11 ±0.05, 12 ±0.05, 13 ±0.05, 14 ±0.05, 15 ±0.05, 16 ±0.05, 17 ±0.05, 18 ±0.05, 19 ±0.05, 20 ±0.05, 21 ±0.05, 22 ±0.05, 23 ±0.05, 24 ±0.05, 25 ±0.05	4.200	1:1 (2:1)
Medium: X ±0.1, Y ±0.1, Z ±0.1, A ±0.1, B ±0.1, C ±0.1, D ±0.1, E ±0.1, F ±0.1, G ±0.1, H ±0.1, I ±0.1, J ±0.1, K ±0.1, L ±0.1, M ±0.1, N ±0.1, P ±0.1, Q ±0.1, R ±0.1, S ±0.1, T ±0.1, U ±0.1, V ±0.1, W ±0.1, X ±0.1, Y ±0.1, Z ±0.1	432 410 202 0	005 ML 1/1
Coarse: ±0.2, ±0.3, ±0.4, ±0.5, ±0.6, ±0.7, ±0.8, ±0.9, ±1.0, ±1.2, ±1.5, ±2.0, ±2.5, ±3.0, ±3.5, ±4.0, ±4.5, ±5.0, ±5.5, ±6.0, ±6.5, ±7.0, ±7.5, ±8.0, ±8.5, ±9.0, ±9.5, ±10.0	4 x A	5050
Tapped Holes: occ. JED-752	4 x A	5050
Tolerance Class: Special (Prescribed)		