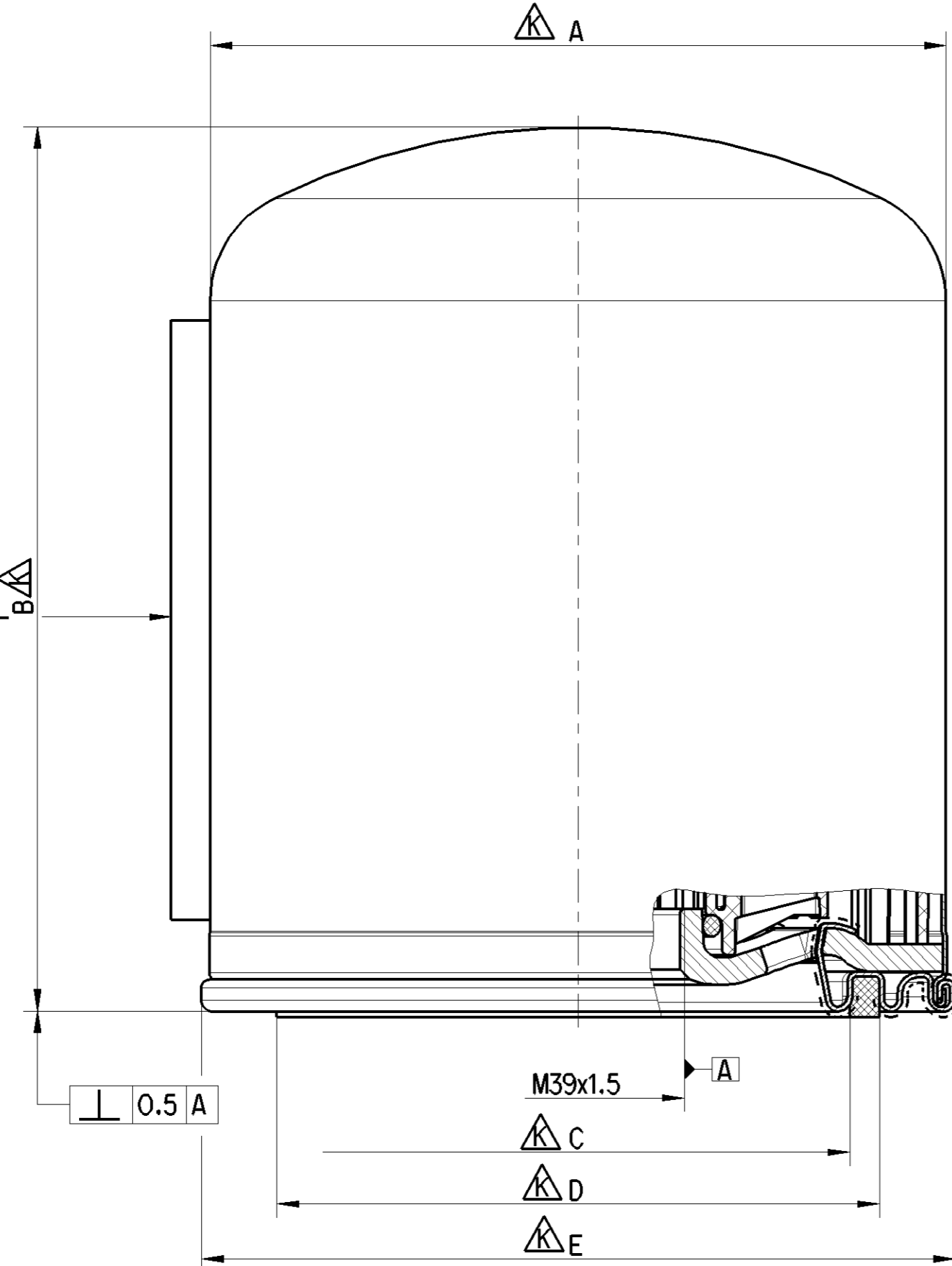


SEE LABELING INFORMATION DOC. CODE 922

LABELLING 400 x 105mm



TECHNICAL PARAMETERS:	
THERMAL RANGE OF APPLICATION	-40 °C ... +80 °C
WORKING PRESSURE	P _e max. = 14 bar
SEALING RING (OUTSIDE)	NBR 70±5 SHORE A
O-RING	NBR 65±5 SHORE A
PERMISSIBLE LEAKAGE	6 cm ³ /min AT 10 bar TEST PRESSURE
BACKGROUND COLOR	RAL 9010
TEXT	PANTONE 293

DIMENSION	VARIANT:	
	A	B
A	135.7	135.5±1
B	163 ⁺³ ₋₁	164±2
C	∅100	∅99±0.2
D	∅111	∅109.5±0.2
E	∅138.8	∅139 ^{+0.2}

General Specification: ISO 8015, JED-334-1, Size ISO 14405 LP		Copyright ZF®			
Further Technical Data: Product Specification		Date	Signature		
Doc. Code: 035	Sheet: 1 To 2	2023-04-20	Pakula	DESICCANT CARTRIDGE	
General Tolerances JED-261		Checked	Kolkowski		
Range of nominal dimensions in mm		Dimensions in mm		Material No.	
Class 1)	≤ 50	> 50 ≤ 180	> 180 ≤ 400	> 400	∠
Fine	±0.5	±1	±1.5	±2	±3°
Medium	±1	±2	±3	±4	
Coarse	±2	±3.5	±5	±6.5	
Tapped Holes acc.		Mass	Scale	Date of first issue: 2016-06-06	
1) Tolerance Class Applied Crossmarked		2.3	1:1	432 410 222 7	
		Size	CAD System	Doc. Code Language Sheet	
		A 2	CREO	005 EN 1/1	
		ECN-No. Revision Techn. Resp.		Replacement for	
		513394 9 x K 5059_AM		-	

Non e permesso copiare, o terzi o riprodurre questo documento, ne utilizzare il contenuto o renderlo comunque noto a terzi senza autorizzazione esplicita. Ogni infrazione costituisce un evidente abuso e comportera il risarcimento dei danni subiti. E' fatta riserva di tutti i diritti derivanti da brevetti o modelli.

Copying of this document and giving it to others and the use or communication of the contents thereof, are forbidden without express authority. Contention of this restriction will constitute an evident abuse and result in a liability to the payment of damages. All rights are reserved in the event of the grant of patent or registration of a utility model or design. This document is the subject of copyright.

Toutte communication ou reproduction de ce document, toute exploitation ou communication de son contenu sont interdites, sauf autorisation expresse. Tout manquement a cette regle constitue un abus evident et expose son auteur au versement de dommages et interets. Tous droits de proprieete industrielle reserves, notamment en matiere de brevets et de modesles.

Wskazanie swego wykorzystania tego dokumentu, jego kopiowanie i rozpowszechnianie, jak i wykorzystanie jego zawartosci, jest bezwzględnie zabronione. Wszelkie naruszenia niniejszego zastrzeżenia stanowią ewidentny nadużycie i skutkują odpowiedzialnością za wyrządzone szkody.

Alle Rechte fuer den Fall der Patenterteilung oder Gebrauchsmuster-Eintragung vorbehalten.