

SURFACE PROTECTION OBERFLÄCHENSCHUTZ PROTECTION DE SURFACE PROTEZIONE SUPERFICCI	
I	JED-649-0
II	JED-256-0
III	JED-471-0

WABCO

更换日期 / date of change

年 / Year	15	16	17	18	19	20	21	22	23	24	25	26
月 / Month	01	02	03	04	05	06	07	08	09	10	11	12

432 410 229 2

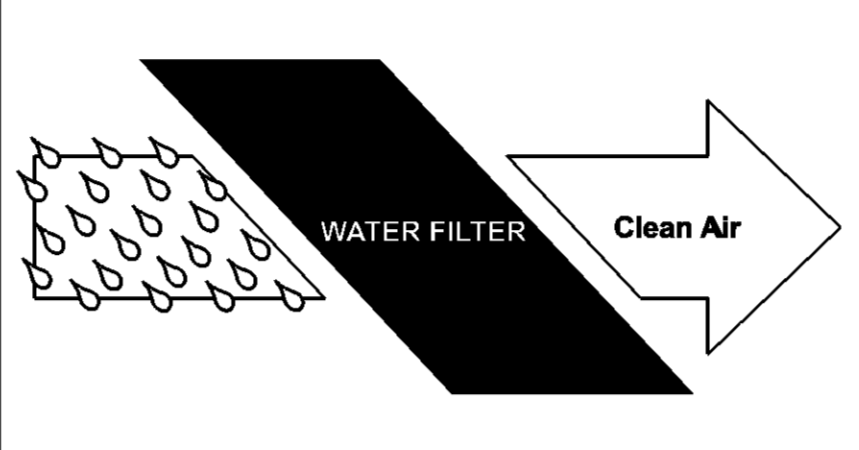
M 39 x 1,5

14 bar

ERL

Engineered in Germany  
Made in China

WABCO



**WABCO**

WATER FILTER

Clean Air

WABCO

**安装指导 / Instructions**

- 重要：确保空气干燥器在更换前完全卸除内部压力
- 安装前，要在密封圈和螺纹管管处涂油脂
- 用手拧紧干燥罐（最大力矩：15Nm）

**Important: Ventilate air dryer before removing**

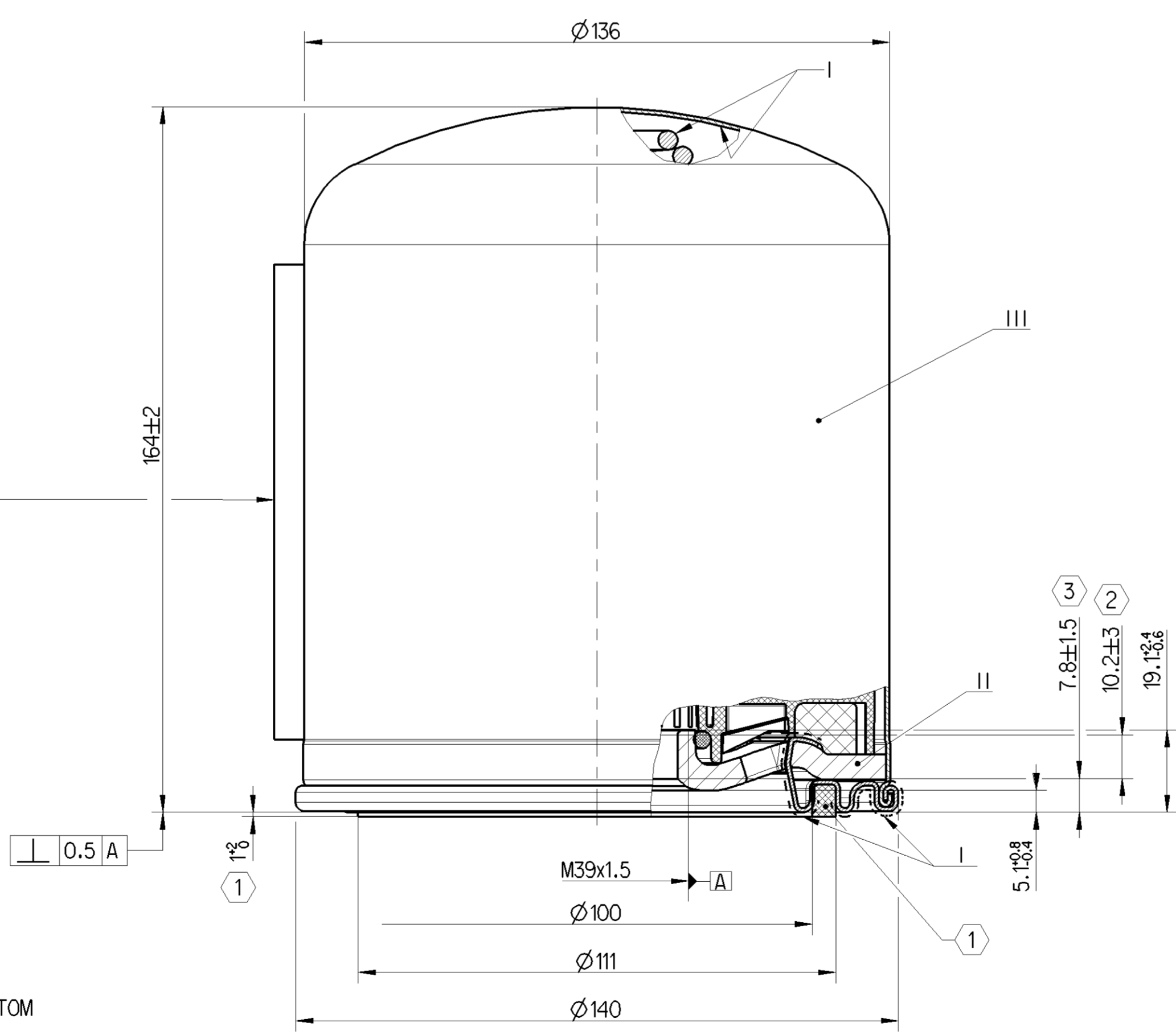
- Grease seal and threaded spigot before installation
- Screw the container on firmly by hand (max. 15 Nm)!

- 重要：取り外す前にエアドライヤー内のエアを排気してください
- 取り付ける前にシールとねじ山にグリスを塗布してください
- 手でしっかりと容器をねじ込んでください（最大締付トルク：15Nm）

- 주의사항: 카트리지를 분리 전 시스템 내부의 공기를 모두 배출 시키십시오.
- 카트리지를 교환 시 실(고무 오링)과 나사산에 구리스를 도포 하십시오.
- 손으로 카트리지를 단단히 조립하십시오. (Max. 15Nm)

DATE OF MANUFACTURE    YEAR    MONTH  
HERSTELLDATUM            JAHR    MONAT  
DATE DE FABRICATION    ANNEE    MOIS  
DATA DI FABBRICAZIONE    ANNO    MESE

400 x 105mm  
LABELLING  
BESCHÜFTUNG  
ETIQUETAGE  
ETICHETTATURA



- DIMENSION APPLY IF THE SEAL IS IN CONTACT WITH THE GROOVE BOTTOM  
MASSE GELTEN BEI ANLIEGENDER DICHTUNG AM NUTGRUND
- MEASURED FROM TOP TO BOTTOM FULL THREAD TURN BY CONTOUR GRAPH  
GEMESSEN VOM OBEREN BIS UNTEREN VOLLEN GEWINDEGANG MIT KONTURGRAPH
- MEASURED FROM BOTTOM FULL THREAD TURN TO FIRST RING RADIUS BY CONTOUR GRAPH  
GEMESSEN VOM UNTEREN VOLLEN GEWINDEGANG BIS ERSTEN RINGRADIUS MIT KONTURGRAPH

**USAGE:**  
This Outline Drawing was created by copying selected items from the Sectional Drawing 2016-01-07

Thermal range of application:  
THERMISCHER ANWENDUNGSBEREICH: -40°C ... +80°C  
GAMME D'APPLICATION THERMIQUE:  
CAMPO DI APPLICAZIONE TERMICA:

WORKING PRESSURE:  
BETRIEBSDRUCK:  $P_{g,max.} = 14\text{bar}$  ©  
PRESSION DE SERVICE:  
PRESSIONE D'ESERCIZIO:

SEALING RING (OUTSIDE):  
DICHTRING (AUSSEN): NBR 70±5 SHORE A  
JOINT D'ETANCHEITE (EXTERIEUR):  
ANELLO DI TENUTA (ESTERNO):

O-RING:  
O-RING : NBR 65±5 SHORE A  
JOINT TORQUE  
O-RING:

PERMISSIBLE LEAKAGE: MAX. 6cm<sup>3</sup>/min AT 10bar TEST PRESSURE  
ZULAESSIGE LECKAGE: MAX. 6cm<sup>3</sup>/min BEI 10bar PRUEFDRUCK  
FUIE AMISE: MAX. 6cm<sup>3</sup>/MIN A 10bar PRESSION D'ESSAI  
FUGA AMNESSA: MAX. 6cm<sup>3</sup>/MIN AL 10bar PRESSIONE DI PROVA

TEXT: WHITE  
TEXT: RAL 9010 WEISS  
TEXTE: BLANC  
TESTO: BLANCO

BACKGROUND COLOR:  
UNTERGRUND: RAL 9005 BLACK  
COULEUR DU FOND: NOIR  
COLORE DEL FONDO: NERO

General Specification: JED-334-1 - Size ISO 14405 LP		Copyright WABCO®			
Further Technical Data: Product Specification		Date: 2016-06-14	Signature: M. Friedrich		
Doc. Code: O35	Sheet: 1 To 2	Checked: M. Friedrich	Material No.: 432 410 229 2		
General Tolerances JED-261		Checked: M. Friedrich	Date of first issue: 2003-09-11		
Range of Nominal Dimensions (± mm)		Expert: M. Friedrich	Doc. Code: 005		
Class	1) ≤ 50	2) > 50 & ≤ 180	3) > 180 & ≤ 400	4) > 400	Language: ML
Fine	X 0.5	1.0	1.5	2.0	Sheet: 1/1
Medium	1.0	2.0	3.0	4.0	ECN-No.: 16710
Coarse	2.0	3.5	5.0	6.5	Revision: 2 x C
Tapped Holes acc.:		Techn. Resp.: 5059	Replacement for:		
1) Tolerance Class Applied Crossmarked		A 1 CREO			

Non e' permesso copiare o riprodurre questo documento, ne utilizzare il contenuto o renderlo comunque noto a terzi.  
 Toute communication ou reproduction de son contenu sans autorisation est formellement interdite.  
 Weitergabe sowie Vervielfältigung dieses Unterzuges, Verwertung und Mitteilung desselben ist ohne schriftliche Genehmigung.  
 All rights reserved. No part of this publication may be reproduced, stored in a retrieval system, or transmitted in any form or by any means, electronic, mechanical, photocopying, recording, or otherwise, without the prior written permission of the copyright owner.