

PART CODE	MATERIAL	SURFACE PROTECTION
I	STEEL	COATING ZN
II	STEEL	COATING ZN OR ZN/FE
III	STEEL	VARNISH

WABCO

更换日期 / date of change

年 /Year	15	16	17	18	19	20	21	22	23	24	25	26
月 /Month	01	02	03	04	05	06	07	08	09	10	11	12

432 410 241 2

M 39 x 1,5

10 bar

Engineered in Germany
Made in China

WABCO

WABCO

WATER FILTER

Clean Air

WABCO

安装指导 / Instructions

- 重要：确保空气干燥器在更换前要完全卸除内部压力
- 安装前，要在密封圈和螺纹管处涂油脂
- 用手拧紧干燥罐（最大力矩：15Nm）

1. Important: Ventilate air dryer before removing

2. Grease seal and threaded spigot before installation

3. Screw the container on firmly by hand (max. 15 Nm)!

- 重要：取り外す前にエアドライヤー内のエアを排気してください
- 取り付けの前にシールとねじ山にグリスを塗布してください
- 手でしっかりと容器をねじ込んでください（最大締付トルク：15Nm）!

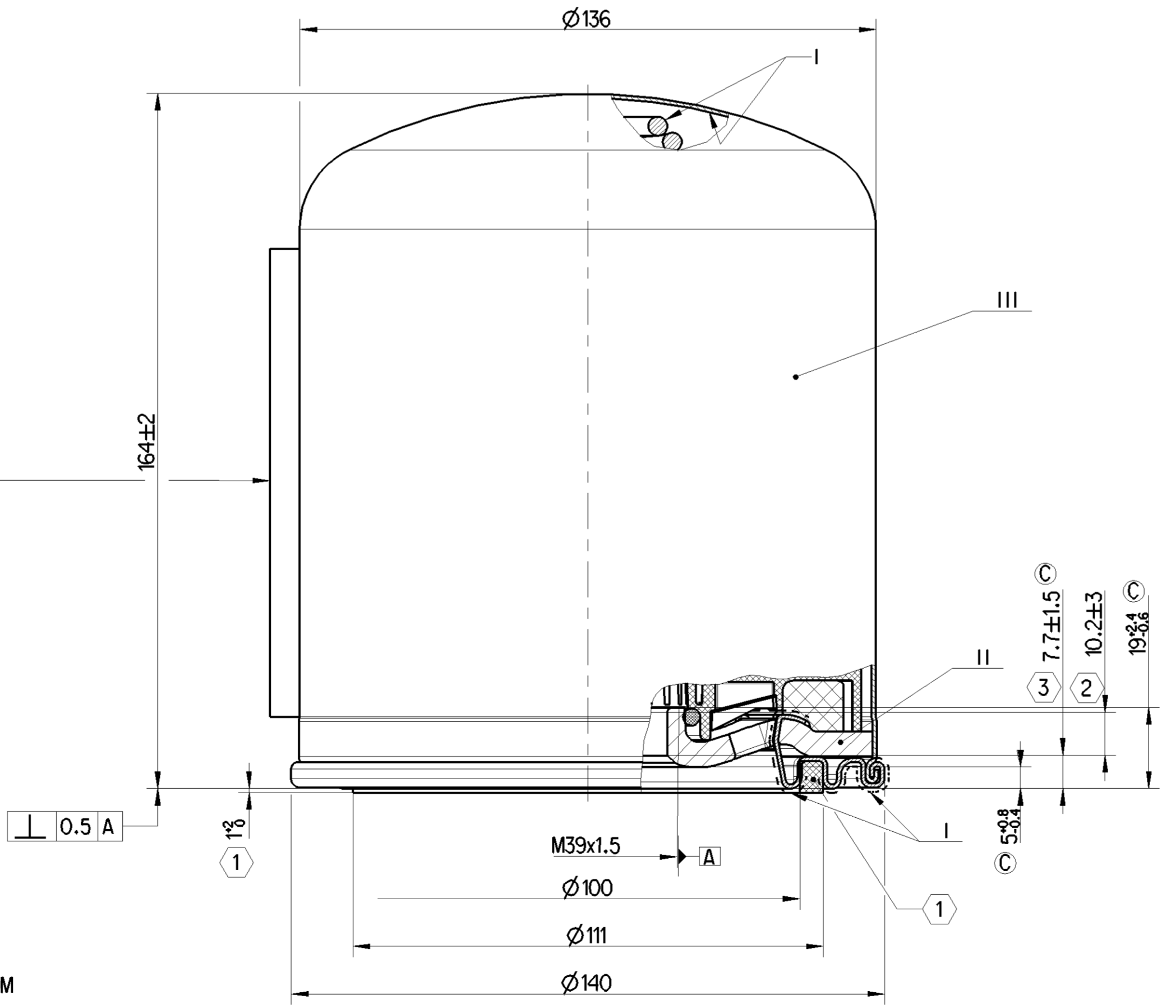
1. 주의사항: 카트리지를 분리 전 시스템 내부의 공기를 모두 배출 시키십시오.

2. 카트리지를 교환 시 쉘(고무 오링)과 나사산에 그리스를 도포 하십시오.

3. 손으로 카트리지를 단단히 조립하십시오. (Max. 15Nm)

DATE OF MANUFACTURE	YEAR	MONTH
HERSTELLDATUM	JAGER	MONAT
DATE DE FABRICATION	ANNEE	NOIS
DATA DI FABBRICAZIONE	ANNO	MESE

LABELLING
 BESCHRIJFUNG
 ETIQUETAGE
 ETICHETTATURA



- DIMENSION APPLY IF THE SEAL IS IN CONTACT WITH THE GROOVE BOTTOM
MASSE GELTEN BEI ANLIEGENDER DICHTUNG AM NUTGRUND
- MEASURED FROM TOP TO BOTTOM FULL THREAD TURN BY CONTOUR GRAPH
GEMESSEN VOM OBEREN BIS UNTEREN VOLLEN GEWINDEGANG MIT KONTURGRAPH
- MEASURED FROM BOTTOM FULL THREAD TURN TO FIRST RING RADIUS BY CONTOUR GRAPH
GEMESSEN VOM UNTEREN VOLLEN GEWINDEGANG BIS ERSTEN RINGRADIUS MIT KONTURGRAPH

THERMAL RANGE OF APPLICATION: -40°C ... +80°C
 THERMISCHER ANWENDUNGSBEREICH:
 GAMME D'APPLICATION THERMIQUE:
 CAMPO DI APPLICAZIONE TERMICA:

WORKING PRESSURE: P_e max. = 10 bar
 BETRIEBSDRUCK:
 PRESSION DE SERVICE:
 PRESSIONE D' ESERCIZIO:

SEALING RING (OUTSIDE):
 DICHTRING (AUSSEN): NBR 70±5 SHORE A
 JOINT D'ETANCHEITE (EXTERIEUR):
 ANELLO DI TENUTA (ESTERNO):

O-RING:
 O-RING : NBR 65±5 SHORE A
 JOINT TORQUE
 O-RING:

PERMISSIBLE LEAKAGE: MAX. 6 cm³/min AT 10 bar TEST PRESSURE
 ZULAESSIGE LECKAGE: MAX. 6 cm³/min BEI 10 bar PRUEFDRUCK
 FUIITE AMISE: MAX. 6 cm³/MIN A 10 bar PRESSION D'ESSAI
 FUGA AMNESSA: MAX. 6 cm³/MIN AL 10 bar PRESSIONE DI PROVA

TEXT: RAL 9010 WHITE
 TEXT: WEISS
 TEXTE: BLANC
 TESTO: BLANCO

BACKGROUND COLOR: RAL 9005 BLACK
 UNTERGRUND: SCHWRZ
 COULEUR DU FOND: NOIR
 COLORE DEL FONDO: NERO

General Specification: JED-334-1 - Size ISO 14405 LP		Copyright WABCO®	
Further Technical Data: Product Specification		Date: 2020-02-14	Signature: Cwickowski
Doc. Code: 035	Sheet: 1 To 2	Checked: Kosrzewo	Expert: Kosrzewo
General Tolerances JED-261			
Range of Nominal Dimensions (± mm)			
Class	1)	< 50	> 180
Fine	X	± 0.5	± 1.0
Medium		± 1.0	± 2.0
Coarse		± 2.0	± 5.0
Tapped Holes acc.		1) Tolerance Class Applied Crossmarked	
Mass	Scale	Material No.	Date of first issue: 2006-12-05
2.300	1:1	432 410 241 2	Doc.Code Language Sheet
Size	CAD System	Revision: 4 x C	5093
A 1	CREO	ECN-No.	180684
Replacement for			

Non è permesso copiare o riprodurre questo documento, né utilizzare il contenuto a fini commerciali o per la produzione di altri documenti. Tutti i diritti sono riservati. WABCO e i suoi simboli sono marchi registrati di WABCO. È vietata espressamente la ristampa o l'uso non autorizzato senza permesso scritto dalla WABCO. Toute réimpression ou reproduction de son contenu sans autorisation est formellement interdite. Toute utilisation commerciale ou à des fins de production est formellement interdite. WABCO et ses symboles sont des marques déposées de WABCO. Toute réimpression ou utilisation non autorisée sans la permission écrite de la WABCO est formellement interdite. All rights reserved. WABCO and its symbols are registered trademarks of WABCO. Any reprinting or unauthorized use without the written permission of WABCO is expressly prohibited.