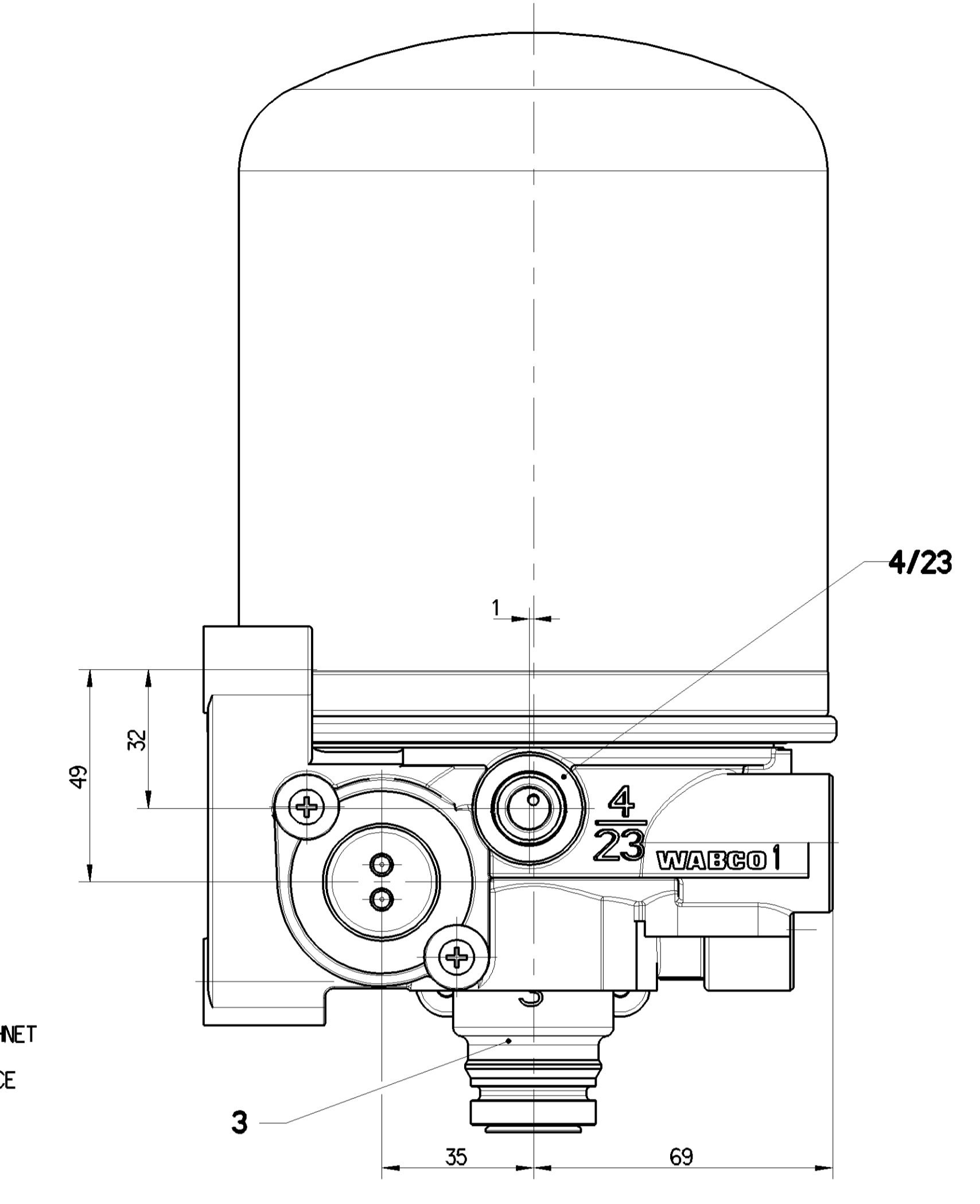
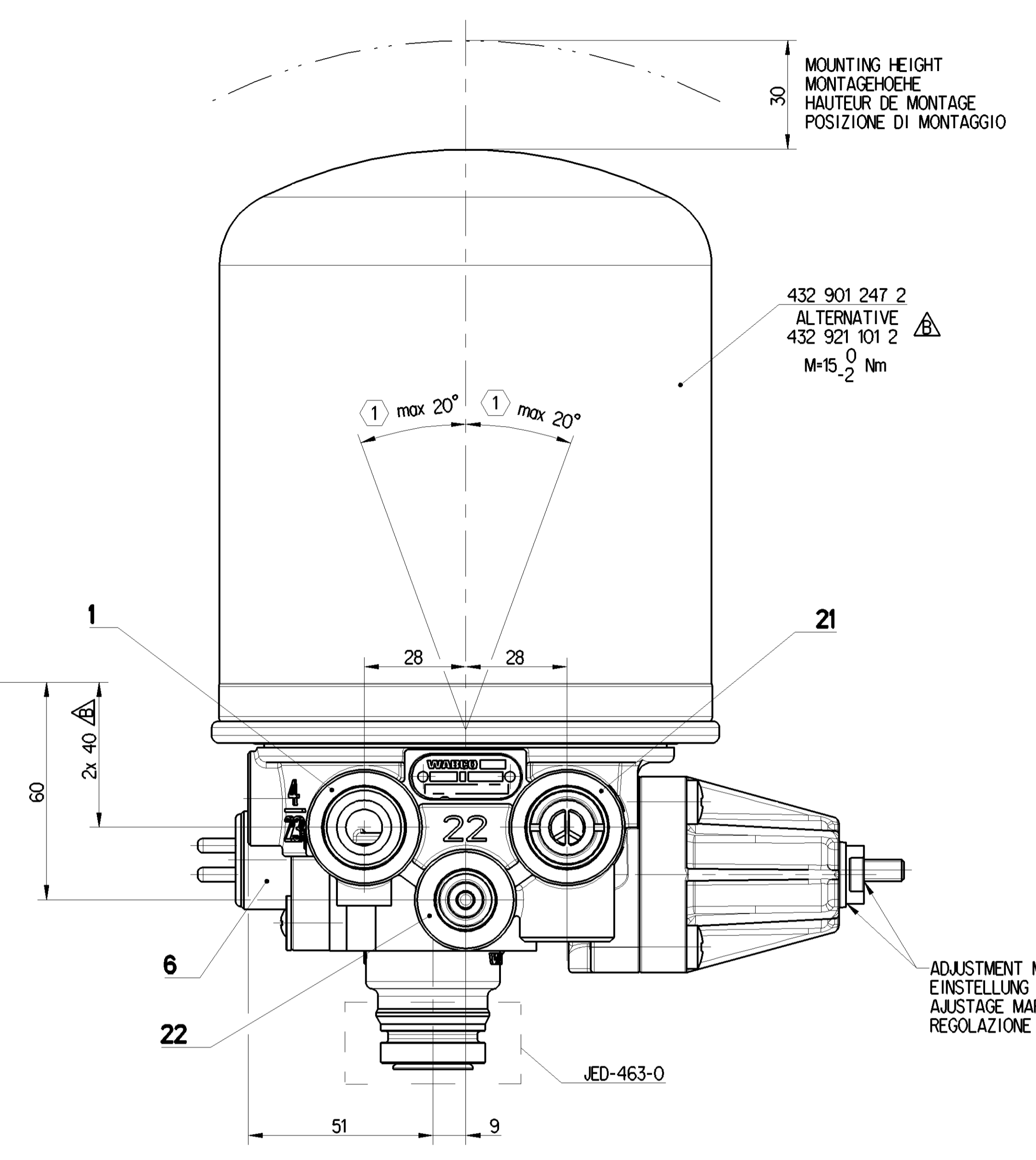
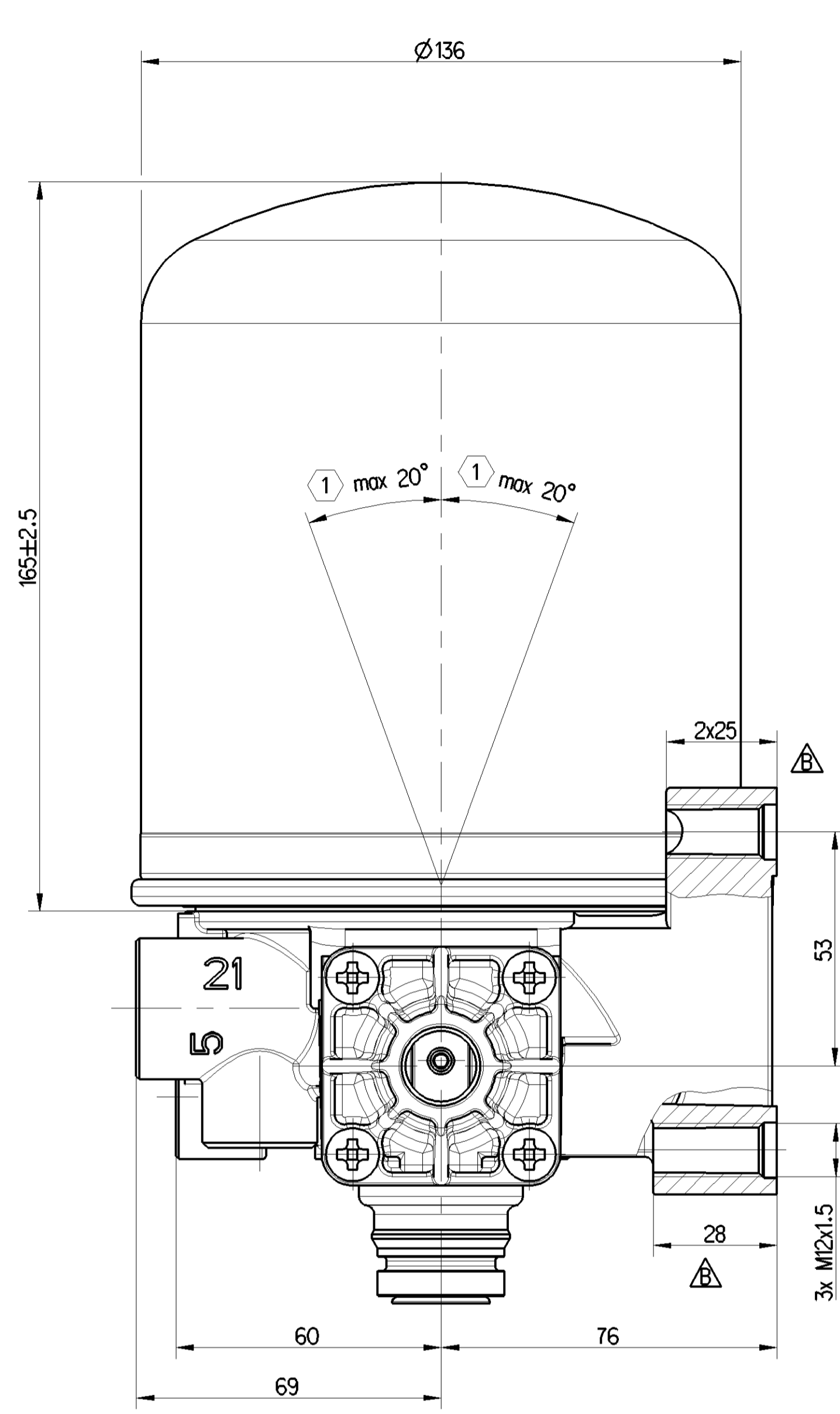
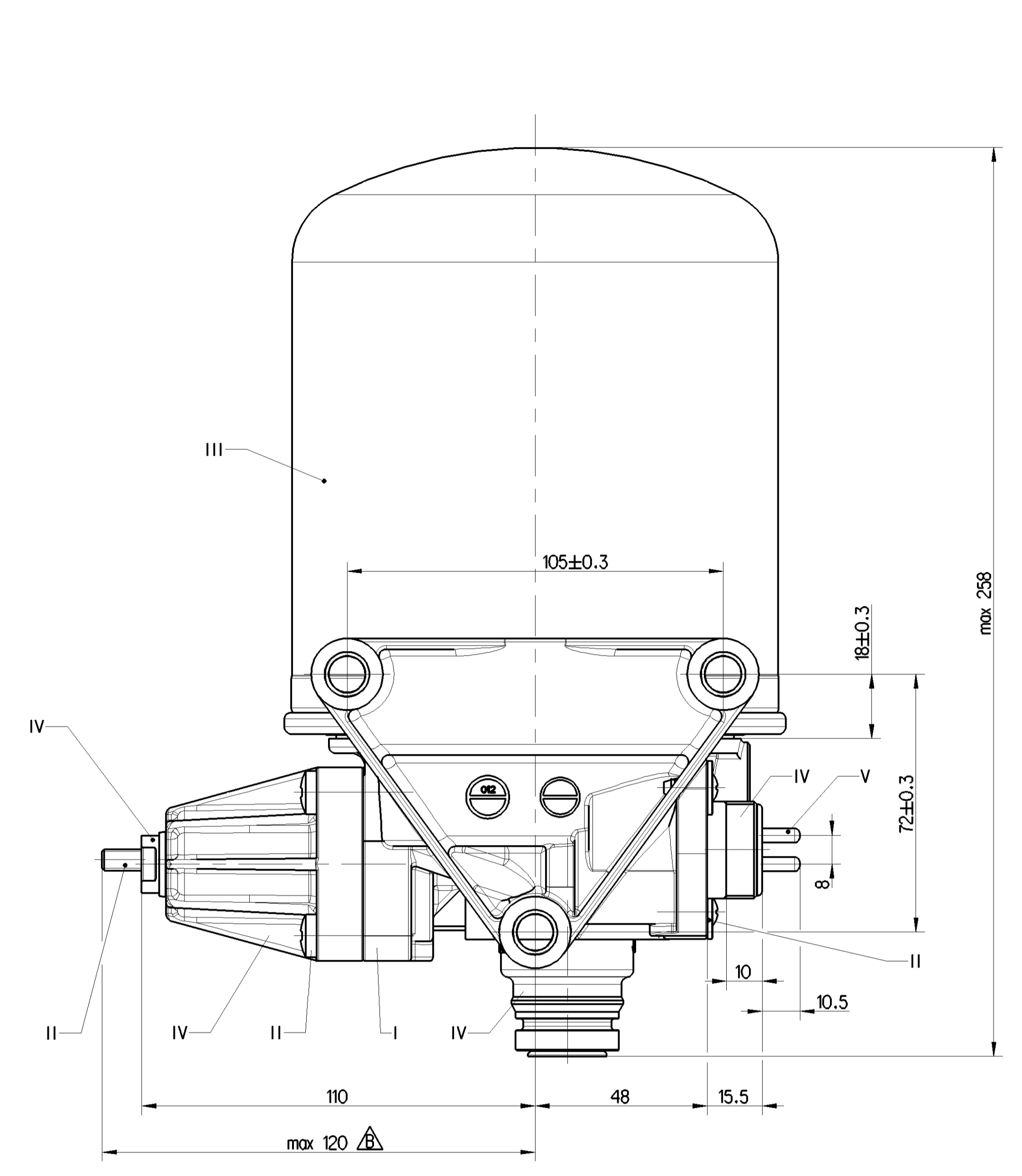


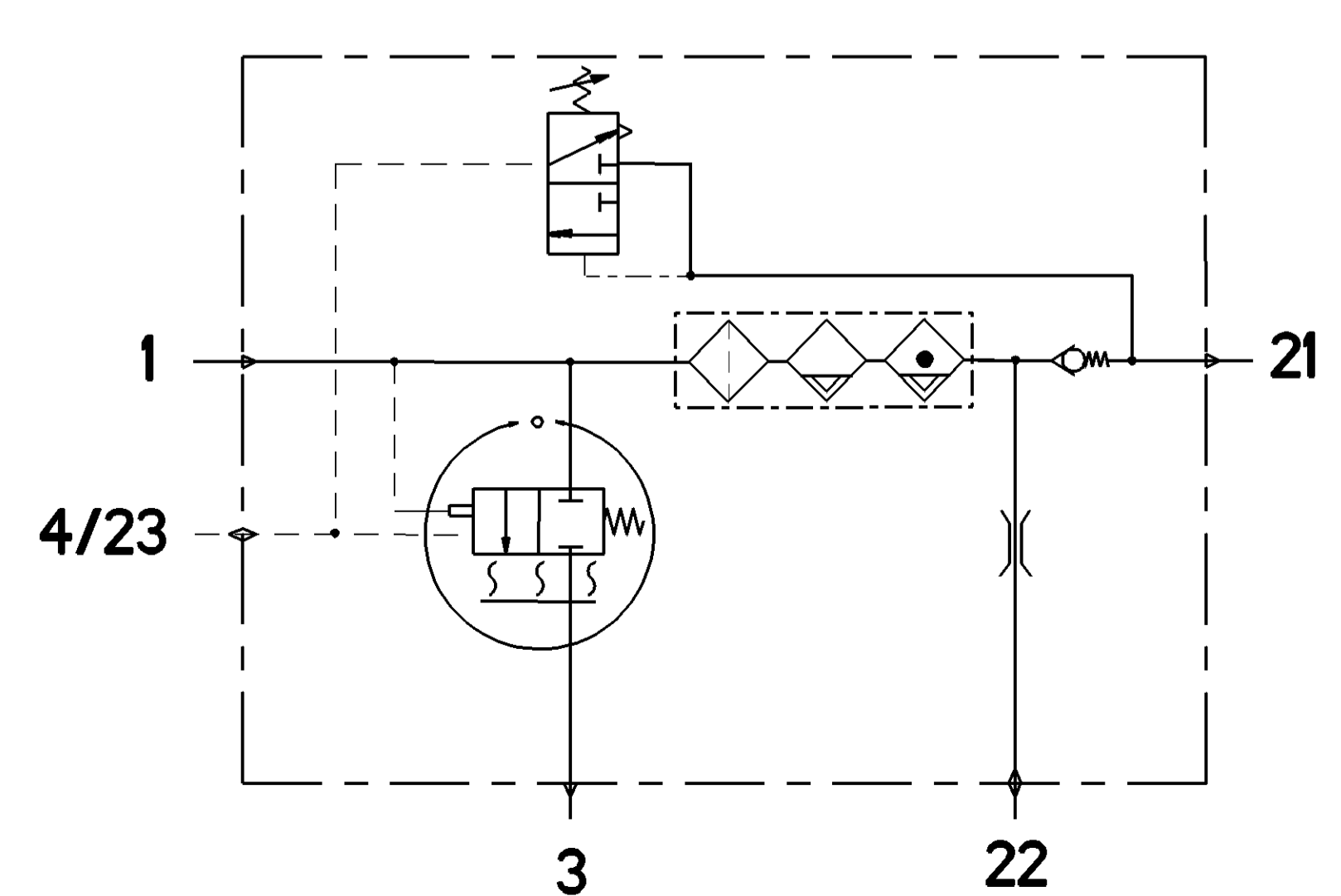
PART CODE	MATERIAL	SURFACE PROTECTION
I	ALUMINIUM ALLOY	CHROMATED
II	STEEL	ZINK PLATED
III	STEEL	PAINTED
IV	PLASTIC	NO TREATMENT
V	BRASS	SILVER COATING



TECHNICAL DATA: / TECHNISCHE DATEN: / CARACTERISTIQUES TECHNIQUES: / CARATTERISTICHE TECNICHE:

THERMAL RANGE OF CONTINUOUS APPLICATION: THERMISCHER DAUERANWENDUNGSBEREICH: PLAGE DE TEMPERATURE EN UTILISATION CONTINUE: COMPO DI APPLICAZIONE CONTINUA:	-40°C ... +65 °C
RESISTANCE TO HEAT: WÄRMEBESTÄNDIGKEIT: RESISTANCE A LA CHALEUR: RESISTANZA AL CALORE:	MAX. +80°
MEDIUM: COMPRESSED AIR MEDIUM: DRUCKLUFT FLUIDE: AIR COMPRIME FLUIDO: ARIA COMPRESSA	
WORKING PRESSURE: BETRIEBSDRUCK: PRESSION DE SERVICE: PRESSIONE D'ESERCIZIO:	Pe MAX. + 13 bar
MAX. PERMISSIBLE FREQUENCY: MAX. ZULÄSSIGE FREQUENZ: MAX. AMMISSIBILE FREQUENZA: MAX. AMMISSIBILE FREQUENZA	50 Hz
MAX. PERMISSIBLE ACCELERATION: MAX. ZULÄSSIGE BESCHLEUNIGUNG: ACCELERATION MAX. AMMISSIBILE: ACCELERAZIONE MAX. AMMESSA:	± 10kg
OUT-OUT PRESSURE: ABSCHALTDRUCK: PRESSION D'OUVERTURE: PRESSIONE D'APERTURA	10.0 ±0.2 bar
OPERATING RANGE: SCHALTSPANNE: PLAGE DE REGULATION: GAMME DE REGUL.	0.7 +0.6 bar
TORQUE FOR CONNECTIONS: ANZUGSMOMENT FUER EINSCHRAUBSTUTZEN: COUPLE DE SERRAGE DES RACCORDS: COPPIA DI SERRAGGIO DEI RACCORDI:	M22x1.5: Mmax=53 Nm M16x1.5: Mmax=34 Nm
DYNAMIC PRESSURE OF THE SAFETY VALVE: STAARDRUCK DES SICHERHEITSVENTILES: PRESSION DYNAMIQUE DU SOUPELVE DE SECURITE: PRESSIONE DINAMICA DELLA VALVOLA DI SICUREZZA	12 ⁴ / ₀ bar (Vn = 100 dm ³ /min)
INSTALLATION POSITION AS DRAWN: EINBAULAGE WIE GEZEICHNET: POSITION D'INSTALLATION SUIVANT DESSIN: POSIZIONE DI MONTAGGIO COME DISEGNATO	

HEATING, HEIZUNG, CHAUFFAGE, RISCALDAMENTO	
OUT-IN TEMPERATURE: EINSCHALT-TEMPERATUR: TEMPERATURE DE FERMETURE: TEMPERATURA DI CHIUSURA:	7 ±6°C
BATTERY VOLTAGE: BATTERIESPANNUNG: TENSION DE BATTERIE: TENSIONE DI BATTERIA:	24.0 ^{+4.8} / _{-2.4} V DC
POWER: LEISTUNG: PUISSANCE: POTENZA:	100 W
OUT-OFF TEMPERATURE: AUSCHALT-TEMPERATUR: TEMPERATURE DE MISE: TEMPERATURA DI APERTURA:	29.5° ± 3°C
POWER WITH 24V DC: LEISTUNG BEI 24V DC: PUISSANCE AVEC 24V DC: POTENZA CON 24V DC	95 0/-5W



PORT ANSCHLUSS ORIFICE ORIFIZIO	FUNCTION FONCTION FUNZIONE	THREAD GEWINDE FILETTATURA
1	FROM THE COMPRESSOR VOM LUFTPRESSER PROVENANT DU COMPRESSEUR PROVENIENTE DEL COMPRESSORE	M22x1.5 JED-388
21	TO THE RESERVOIRS ZU DEN LUFTBEHALTERN AUX RESERVOIRS D'AIR REGENERE AL SERBATOII PER	M22x1.5 JED-388
22	TO THE RESERVOIRS FOR REGENERATED AIR ZUM REGENERATIONS-LUFTBEHALTER AUX RESERVOIRS D'AIR REGENERE AL SERBATOII PER L'ARIA RIGENERATA	M16x1.5 JED-388
4/23	CONTROL PORT STEUERANSCHLUSS ORIFICE DE COMMANDE ORIFIZIO DI COMANDO	M16x1.5 JED-388
3	EXHAUST FOR COMPRESSED AIR ENTLUEFTUNG FUER DRUCKLUFT ECHAPPEMENT POUR AIR COMPRI SCARIO PER ARIA COMPRESSA	-
6	HEATING HEIZUNG CHAUFFAGE RISCALDAMENTO	M27x1

General Specification: ISO 845, ED-334-1, Size ISO 14405 (P) Copyright ©
Further Technical Data: Product Specification Date: 2023-12-20
Doc. Code: 020 Sheet: 1 To: 4
General Tolerances: ISO 2011
2023-12-21
Range of nominal dimensions in mm: 1st +0.1, 2nd 0, 3rd -0.1, 4th -0.2, 5th -0.3, 6th -0.4, 7th -0.5, 8th -0.6, 9th -0.7, 10th -0.8, 11th -0.9, 12th -1.0, 13th -1.2, 14th -1.5, 15th -2.0, 16th -2.5, 17th -3.0, 18th -4.0, 19th -5.0, 20th -6.0, 21st -8.0, 22nd -10.0, 23rd -15.0, 24th -20.0, 25th -30.0, 26th -40.0, 27th -50.0, 28th -63.0, 29th -80.0, 30th -100.0, 31st -125.0, 32nd -160.0, 33rd -200.0, 34th -250.0, 35th -315.0, 36th -400.0, 37th -500.0, 38th -630.0, 39th -800.0, 40th -1000.0
Class: IT 11 ± 0.05, IT 12 ± 0.075, IT 13 ± 0.1, IT 14 ± 0.15, IT 15 ± 0.2, IT 16 ± 0.3, IT 17 ± 0.5, IT 18 ± 0.8, IT 19 ± 1.2, IT 20 ± 1.8, IT 21 ± 2.5, IT 22 ± 3.6, IT 23 ± 5.0, IT 24 ± 7.0, IT 25 ± 10.0, IT 26 ± 15.0, IT 27 ± 20.0, IT 28 ± 30.0, IT 29 ± 40.0, IT 30 ± 60.0, IT 31 ± 80.0, IT 32 ± 120.0, IT 33 ± 160.0, IT 34 ± 250.0, IT 35 ± 360.0, IT 36 ± 500.0, IT 37 ± 700.0, IT 38 ± 1000.0
Tapped Holes acc. ED-388
Tolleranze: classe Specifica (Preferenziale)

005 ML 1/1

432 410 355 0

9 x 8 5050